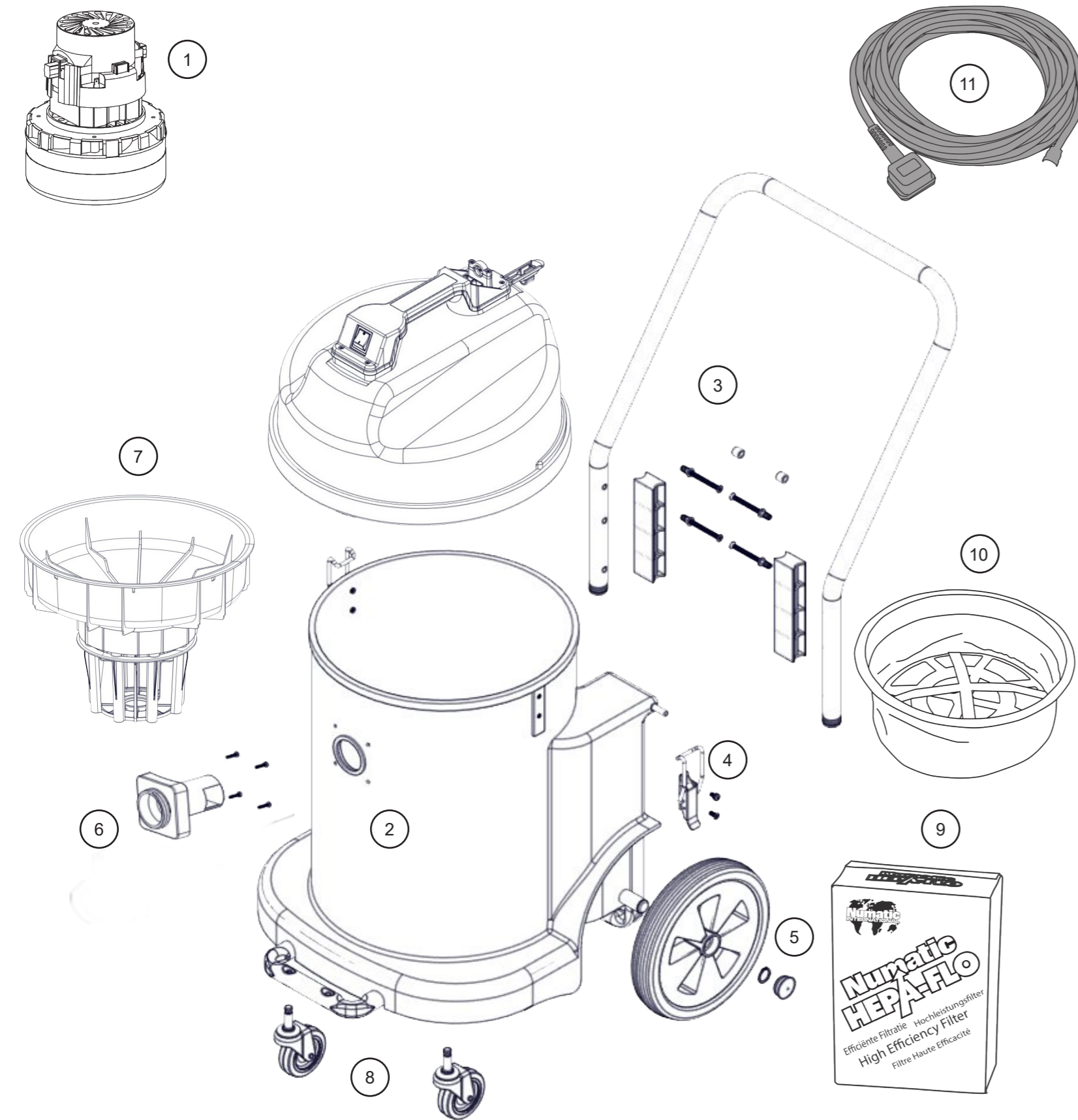
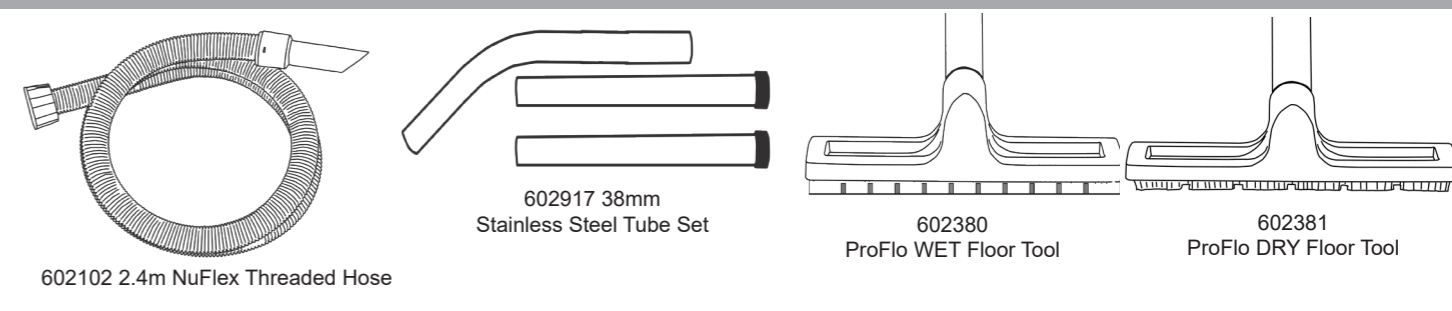


Exploded Spare Parts WV900 WVD900



Num	Description	Num
1	240V 2 STAGE D.I BYPASS MOTOR ASSY (BL21104)(MARKED 230V) (14 INCH WV/CT/NT)	323016
2	WV900 BLUE DRUM ASSEMBLY (NO DRAIN TAP)	500310
3	900 HANDLE ASSEMBLY (INSERTED + END STOPS)	329169
	LOWER HANDLE ASSY (S/S) 900 SERIES	303134
	M6.70MM LG.POZI-PAN.SCREW.Z/PL.C/SUNK	219422
	HANDLE BLOCK SPACER	206128
4	BLACK TOGGLE FASTENER 30-1665 MSBL	206135
	M5x.10MM LG.POZI-PAN.SCREW.Z/PL.SEM	219047
	M5.12MM LG.POZI-PAN.SCREW.Z/PL.C/SUNK	219330
5	10 INCH WHEEL(BLACK/GREY) 20MM BORE	204028
	BLACK PLASTIC CAP 804029	206131
	CIRCLIP A20	219308
6	WET/DRY HOSE CONNECTION FLANGE	206117
	BAYONET SEAL	202102
	NO8.5/8 INCH LG.POZI-PAN.SCREW.STAINLESS STEEL.PLASTITE	219370
7	WV575/2000 FLOAT ASSEMBLY MK2 (MANUFACTURING)	502034
8	3 INCH STEM FITTING CASTOR	204060
9	BOX OF 10 NVM-4BH HEPAFLO BAGS	604019
10	14 INCH WHITE FILTER ASSEMBLY (SALES USE 604116)	502153
11	10 METRE X 1MM X 2 CORE YELLOW CABLE (SOCKET WITH UK PLUG)	911549

Genuine Accessories (607241 Kit BS8)

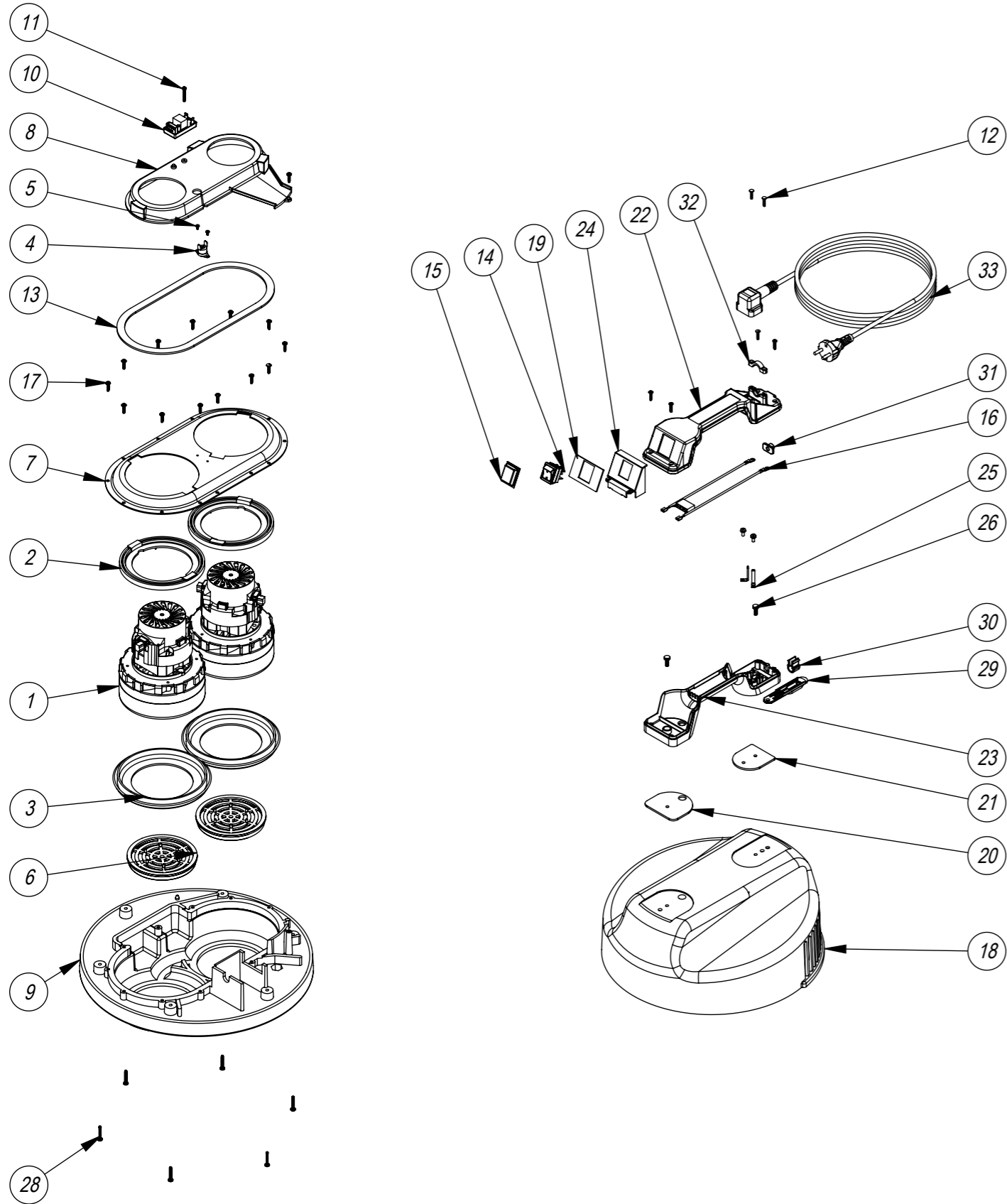


Numatic International Spare Parts

Model No: HEAD STYLE 39 (WVD) EXPLODED DRAWING

Internal Code: N/A
 DRAWING: DRW-24329 ISS:A07
 PRO 09/02/2018

NB: FOR WIRING SEE DRAWING: WD-0???



Numatic International Spare Parts

Model No: HEAD STYLE 39 (WVD) EXPLODED DRAWING

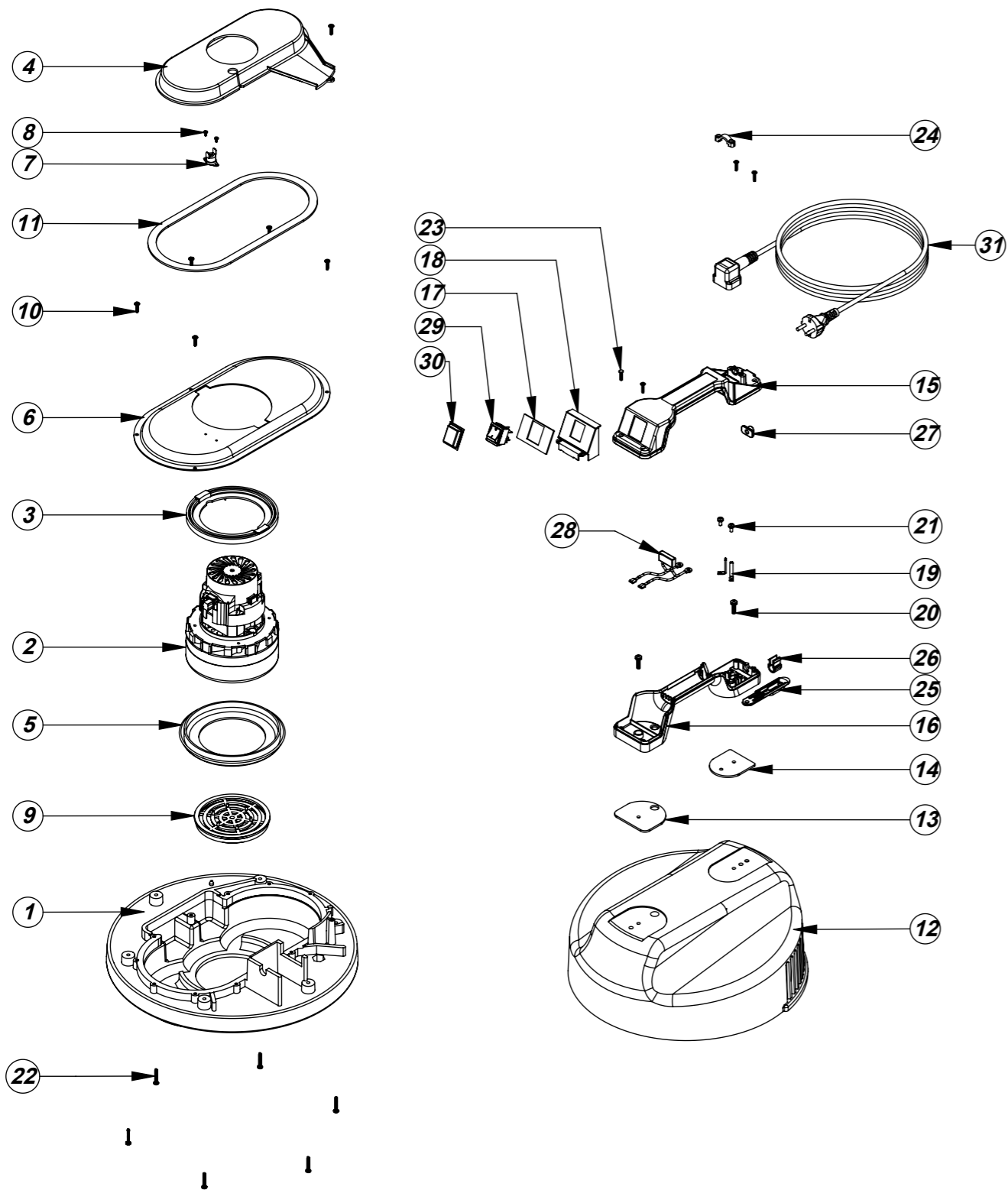
ITEM NO.	PART NUMBER	DESCRIPTION	QTY.	COMMENTS:
1	205411	240V 2 STAGE D.I BYPASS ACUSTEK MOTOR (BL21104)(MARKED 230V)	2	
2	227925	TOP MOTOR GASKET	2	
3	202005	MOTOR BOTTOM GASKET	2	
4	220532	THERMOSTAT	1	
5	219491	M3 X 5MM LONG POZI PAN TAPTITE SCREW	2	
6	206010	FAN GUARD	2	
7	225168	TOP MOTOR HOUSING	1	
8	227928	570 AIR SEPERATOR (LAMB BYPASS MOTOR DUPLEX)	1	
9	301048	PROCESSED BOTTOM MOTOR HOUSING	1	
10	906039	DELAY RL PCB [PCB-1336]	1	
11	219602	No6 X 1 INCH LONG POZI PAN PLASTITE SCREW (Z/PL)	1	
12	219107	NO6.5/8 INCH LG.POZI-PAN.SCREW.Z/PL.PLASTITE	6	
13	202012	GASKET	1	
14	220843	BLUE ROCKER SWITCH	1	
15	206573	SWITCH COVER (PLUG HANDLE)	1	
16	230151	220V DUPLEX SUPPRESSOR ASSY AMETEK MOTOR	1	
17	219370	No8 X 5/8 INCH LONG PLASTITE STAINLESS STEEL SCREW	14	
18	227043	COVER MOULDING DOUBLE GRILL WITH INSERTS	1	
19	208706	SINGLE SWITCH HANDLE SEALING GASKET	1	
20	904660	HANDLE GASKET (LARGE)	1	
21	904666	HANDLE GASKET (SMALL)	1	
22	904814	HANDLE COVER 1-SWITCH 2 POLE 16A	1	
23	904996	HANDLE BASE 2 INSERTS	1	
24	227635	SWITCH MOUNTING BRACKET (1 SWITCH)	1	
25	206562	CONTACT PIN	2	
26	219045	M5 X 16MM LONG POZI PAN SEMS SCREW	2	
27	291151	M4 X 10MM LONG T20 SEMS SCREW Z/PL - PRODUCT CODE 8.8 - TX20 HEAD	2	
28	219369	No8 X 1 INCH LONG POZI PAN STAINLESS STEEL PLASTITE SCREW	6	
29	227636	STRAIN RELIEF	1	
30	227637	CABLE CLIP	1	
31	904790	HANDLE REAR SEAL	1	
32	216290	CABLE CLAMP	1	
33	N/A	PLUGGED CABLE	1	CONTACT NUMATIC FOR DETAILS

Numatic International Spare Parts

Model No: HEAD STYLE 38 (WV) EXPLODED DRAWING

NB: FOR WIRING SEE DRAWING: WD-0????

Internal Code: 911478
 DRAWING: DRW-24325 ISS:A10
 07/11/201
 9



Numatic International Spare Parts

Model No: HEAD STYLE 38 (WV) EXPLODED DRAWING

ITEM NO.	PART NUMBER	DESCRIPTION	HEAD STYLE 38 (WV)/QTY.	COMMENTS:
1	301047	BOTTOM MOTOR HOUSING PUNCH NV/WV 14 INCH 900 SERIES	1	
2	205411	240V 2 STAGE D.I BYPASS ACUSTEK MOTOR (BL21104)(MARKED 230V)	1	
3	227925	TOP MOTOR GASKET (AMETEK BYPASS MOTOR)	1	
4	227929	AIR SEPERATOR (SIMPLEX)	1	
5	202005	MOTOR BOTTOM GASKET	1	
6	225167	SIMPLEX TOP MOTOR HOUSING	1	
7	220532	THERMOSTAT	1	
8	219491	M3 X 5MM LONG POZI PAN TAPTITE SCREW	2	
9	206010	FAN GUARD	1	
10	219370	No8 X 5/8 INCH LONG PLASTITE STAINLESS STEEL SCREW	6	
11	202012	SELF ADHESIVE EXPANDED NEOPRENE GASKET	1	
12	227043	COVER MOULDING DOUBLE GRILL WITH INSERTS	1	
13	904660	HANDLE GASKET (LARGE)	1	
14	904666	HANDLE GASKET (SMALL)	1	
15	904816	HANDLE COVER 1-SWITCH 2 POLE 10A	1	
16	904996	HANDLE BASE 2 INSERTS	1	
17	208706	SINGLE SWITCH HANDLE SEALING GASKET	1	
18	227635	SWITCH MOUNTING BRACKET (1 SWITCH)	1	
19	206562	CONTACT PIN	2	
20	219546	M5 X 20MM LONG POZI PAN SEMS SCREW	2	
21	291151	M4 X 10MM LONG T20 SEMS SCREW Z/PL - PRODUCT CODE 8.8 - TX20 HEAD	2	
22	219369	No8 X 1 INCH LONG POZI PAN STAINLESS STEEL PLASTITE SCREW	6	
23	219107	NO6.5/8 INCH LG.POZI-PAN.SCREW.Z/PL.PLASTITE	4	
24	227564	CABLE CLAMP 10A PLUGGED V83 ONLY	1	
25	227636	STRAIN RELIEF ARM (SOCKET)	1	
26	227637	CABLE CLIP	1	
27	904790	HANDLE REAR SEAL	1	
28	220558	SUPPRESSOR ASSY (1.5MM)	1	
29	220843	BLUE ROCKER SWITCH	1	
30	206573	SWITCH COVER (PLUG HANDLE)	1	
31	236144	10.0MT X 1.5MM X 2 CORE YELLOW CABLE (SOCKET + PLUG) EURO	1	