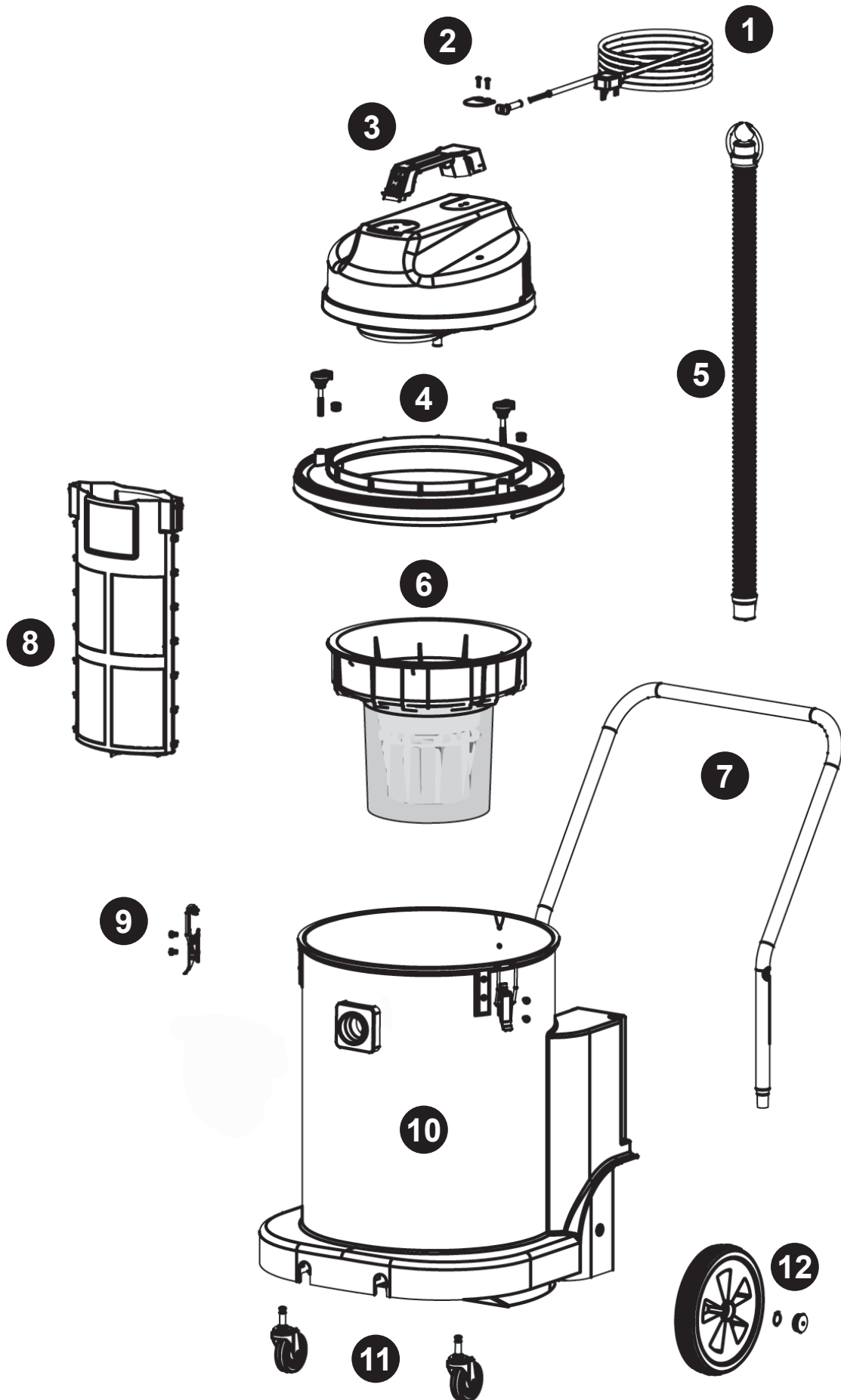


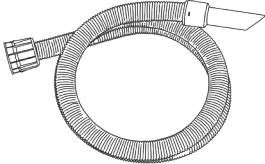
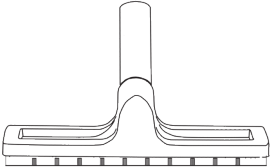


# WVD1800AP Exploded Spares

WET VACUUM



<b>Num</b>	<b>Description</b>	<b>Num</b>
1	MAINS CABLE.YELLOW.10000.1.3.UK PLUG.10A SOCKET PLUG	<b>911757</b>
	10.0MT X 1MM X 3 CORE CABLE (SOCKET + PLUG) UK [1]	<b>236010</b>
	10.0MT X 1.5MM X 3 CORE YELLOW CABLE (SOCKET + PLUG) EURO	<b>236143</b>
	12.5MT X 3CORE X 2.5MM CABLE PLUS 32AMP INDUSTRIAL PLUG	<b>220911</b>
	10.0MT X 1.5MM X 3 CORE CABLE (SOCKET + PLUG) SWISS	<b>236019</b>
2	CABLE CLIP (SOCKET)	<b>227637</b>
	NO6.5/8 INCH LONG.POZI-PAN.SCREW.ZINC PLATED PLASTITE	<b>219107</b>
3	WV AP/PH HANDLE & COVER 2-SWITCH 3 POLE 16A (SOCKET) V17/V82	<b>913457</b>
	WV AP/PH HANDLE BASE MOULD ASSY (SOCKET) V17/V82	<b>321091</b>
4	1800 DRUM ADAPTER PLATE ASSEMBLY	<b>502100</b>
5	10M DISCHARGE HOSE FOR AP MACHINES (NVM-145B)	<b>604245</b>
6	WV575/2000 FLOAT ASSEMBLY	<b>502034</b>
7	1800 DRUM HANDLE (M/S) (1.750) PAINTED BLACK	<b>302097</b>
8	TRASH BASKET FILTER ASSEMBLY (1800)	<b>207110</b>
9	BLACK TOGGLE FASTENER 30-1665 MSBL	<b>206135</b>
	M5x.10MM LG.POZI-PAN.SCREW.Z/PL.SEM	<b>219047</b>
	M5.12MM LG.POZI-PAN.SCREW.Z/PL.C/SUNK	<b>219330</b>
10	1800 BLUE PUMP OUT DRUM ASSEMBLY	<b>500724</b>
	WV/WVD 1800 230V/50HZ PUMP ASSEMBLY	<b>325213</b>
11	3 INCH STEM FITTING CASTOR	<b>204060</b>
12	10 INCH WHEEL(BLACK/GREY) 20MM BORE	<b>204028</b>
	CIRCLIP A20	<b>219308</b>
	BLACK PLASTIC CAP 804029	<b>206131</b>

607249 (BS7)

Image Reference	Item Description	Part Number	Item Quantity
	2.4 Nuflex Threaded Hose Assembly	602102	1
	400mm ProFlo Wet Pick-up Floor Tool	602380	1
	38mm Stainless Steel Tube Bend	602919	1
	38mm Stainless Steel Tube Straight	602920	2

Numatic International Limited. Chard, Somerset TA20 2GB  
ENGLAND Tel: 01460 68600 [www.numatic.co.uk](http://www.numatic.co.uk)

Numatic International GmbH. Fränkische Straße 15–19. D-30455 Hannover,  
DEUTSCHLAND Tel: 05 11 98 42 16 0 [www.numatic.de](http://www.numatic.de)

Numatic International SAS. 13 / 17 rue du Valengelier. EAE La Tuilerie – 77500  
CHELLES, FRANCE Tel: 01 64 72 61 61 [www.numatic.fr](http://www.numatic.fr)

Numatic International BV. Vennootsweg 15, 2404 CG, Alphen aan den Rijn,  
NEDERLAND Tel: 0172 467 999 [www.numatic.nl](http://www.numatic.nl)

Numatic International (Pty.) Ltd. 16th & Pharmaceutical Roads, Midrand, Gauteng,  
SOUTH AFRICA 1685 Tel: 0861 686 284 [www.numatic.co.za](http://www.numatic.co.za)

Numatic International Schweiz AG. Sihlbruggstrasse 3A, 6340 Baar.  
SCHWEIZ Tel: 0041 (0) 41 76 80 76 - 0 [www.numatic.ch](http://www.numatic.ch)

Numatic International ULDA. Rua da Boa Viagem, 177. 4470.210 Maia.  
PORTUGAL Tel: +351 220 047 700 [www.numatic.pt](http://www.numatic.pt)

Numatic International SLU. C/ La Forja, 41, 08840 Viladecans. (Barcelona),  
SPAIN Tel: +34 93 647 22 22 [www.numatic.es](http://www.numatic.es)

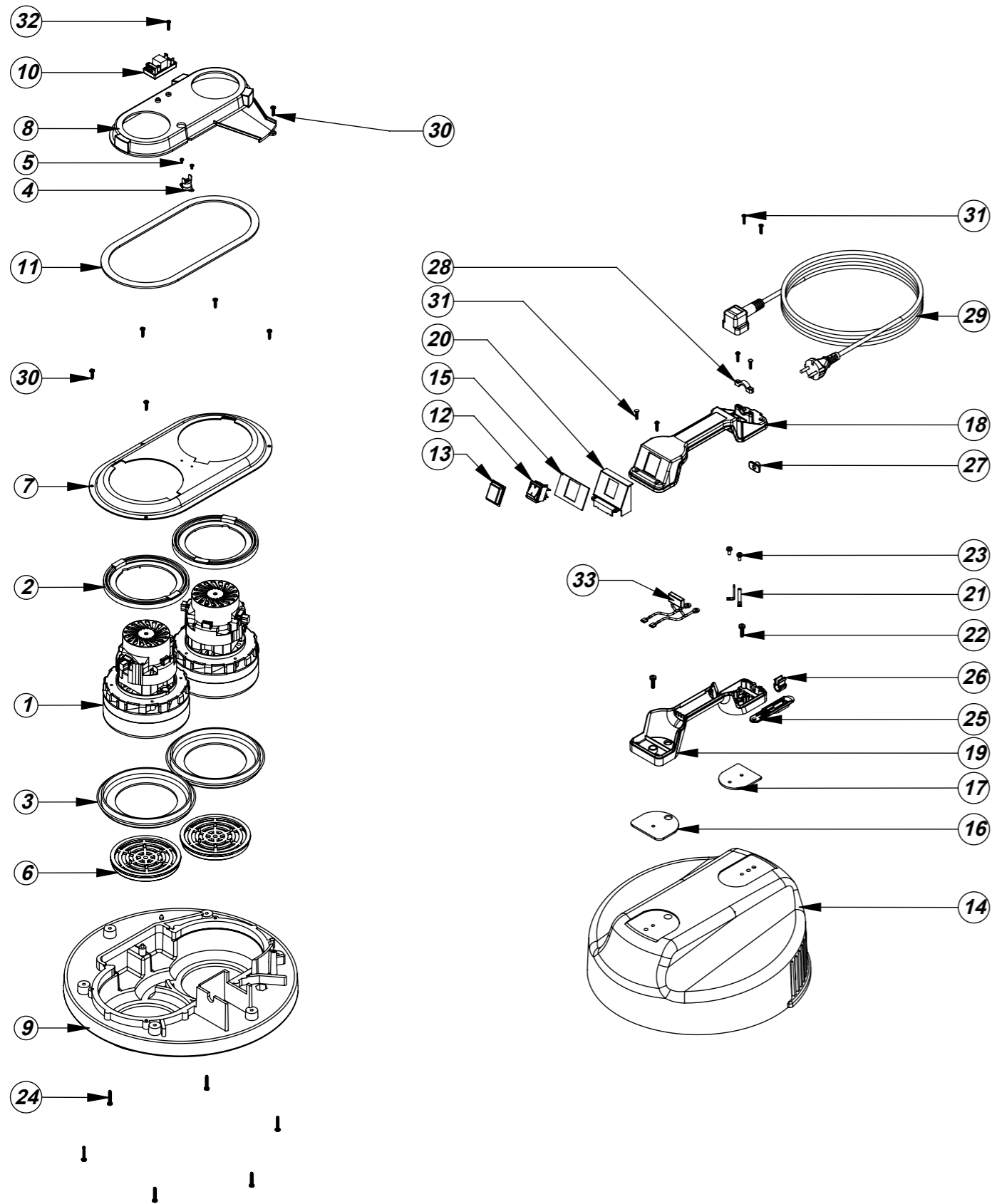
Numatic International DENMARK. Fränkische Straße 15–19. D-30455 Hannover,  
DEUTSCHLAND Tel: 05 11 98 42 16 0 [www.numatic-online.dk](http://www.numatic-online.dk)

# Numatic International Spare Parts

Model No: HEAD STYLE 39 WVD EXPLODED DRAWING

NB: FOR WIRING SEE DRAWING: PLEASE REFER TO NUMATIC WEBSITE

Internal Code: 911540  
 DRAWING: DRW-24329 ISS:A20  
 07/11/201  
 9



# Numatic International Spare Parts

Model No: HEAD STYLE 39 WVD EXPLODED DRAWING

POS.	ITEM NUMBER	DESCRIPTION	QTY.	COMMENTS:
1	205411	240V 2 STAGE D.I BYPASS ACUSTEK MOTOR (BL21104)(MARKED 230V)	2	
2	227925	TOP MOTOR GASKET (AMETEK BYPASS MOTOR)	2	
3	202005	MOTOR BOTTOM GASKET	2	
4	220532	THERMOSTAT	1	
5	219491	M3 X 5MM LONG POZI PAN TAPTITE SCREW	2	
6	206010	FAN GUARD	2	
7	225168	DUPLEX TOP MOTOR HOUSING	1	
8	227928	570 AIR SEPERATOR (LAMB BYPASS MOTOR DUPLEX)	1	
9	301048	PROCESSED BOTTOM MOTOR HOUSING FOR DUPLEX FAN GUARD	1	
10	906039	DELAY RL PCB [PCB-1336]	1	
11	202012	SELF ADHESIVE EXPANDED NEOPRENE GASKET	1	
12	220843	BLUE ROCKER SWITCH	1	
13	206573	SWITCH COVER (PLUG HANDLE)	1	
14	227043	COVER MOULDING DOUBLE GRILL WITH INSERTS	1	
15	208706	SINGLE SWITCH HANDLE SEALING GASKET	1	
16	904660	HANDLE GASKET (LARGE)	1	
17	904666	HANDLE GASKET (SMALL)	1	
18	904814	HANDLE COVER 1-SWITCH 2 POLE 16A	1	
	904816	HANDLE COVER 1-SWITCH 2 POLE 10A	1	V80 ONLY
19	904996	HANDLE BASE 2 INSERTS	1	
20	227635	SWITCH MOUNTING BRACKET (1 SWITCH)	1	
21	206562	CONTACT PIN	2	
22	219546	M5 X 20MM LONG POZI PAN SEMS SCREW	2	
23	291151	M4 X 10MM LONG T20 SEMS SCREW Z/PL - PRODUCT CODE 8.8 - TX20 HEAD	2	
24	219369	No8 X 1 INCH LONG POZI PAN STAINLESS STEEL PLASTITE SCREW	6	
25	227636	STRAIN RELIEF ARM (SOCKET)	1	
26	227637	CABLE CLIP	1	
27	904790	HANDLE REAR SEAL	1	
28	216290	CABLE CLAMP 16A PLUGGED	1	
	227564	PLUG LOCATION CLAMP	1	V80 ONLY
29	236144	10.0MT X 1.5MM X 2 CORE YELLOW CABLE (SOCKET + PLUG) EURO	1	V30 ONLY
	236146	10.0MT X 1.5MM X 2 CORE CABLE (SOCKET + PLUG) UK	1	V80 ONLY
	236147	10.0MT X 1.5MM X 2 CORE CABLE (SOCKET + PLUG) SWISS	1	V53 ONLY
	236149	10.0MT X 1.5MM X 2 CORE CABLE (SOCKET + PLUG) SOUTH AFRICA	1	V83 ONLY
30	219370	No8 X 5/8 INCH LONG PLASTITE STAINLESS STEEL SCREW	6	
31	219107	NO6.5/8 INCH LG.POZI-PAN.SCREW.Z/PL.PLASTITE	7	