



Spare Parts List

IP Cleaning Srl - Soteco

Ref: ASDO02779

Cust.Ref: MIGHTY ATOM 240V

Model: VACUUM CLEANER B.PLAST 503 SOFF. SPINACL

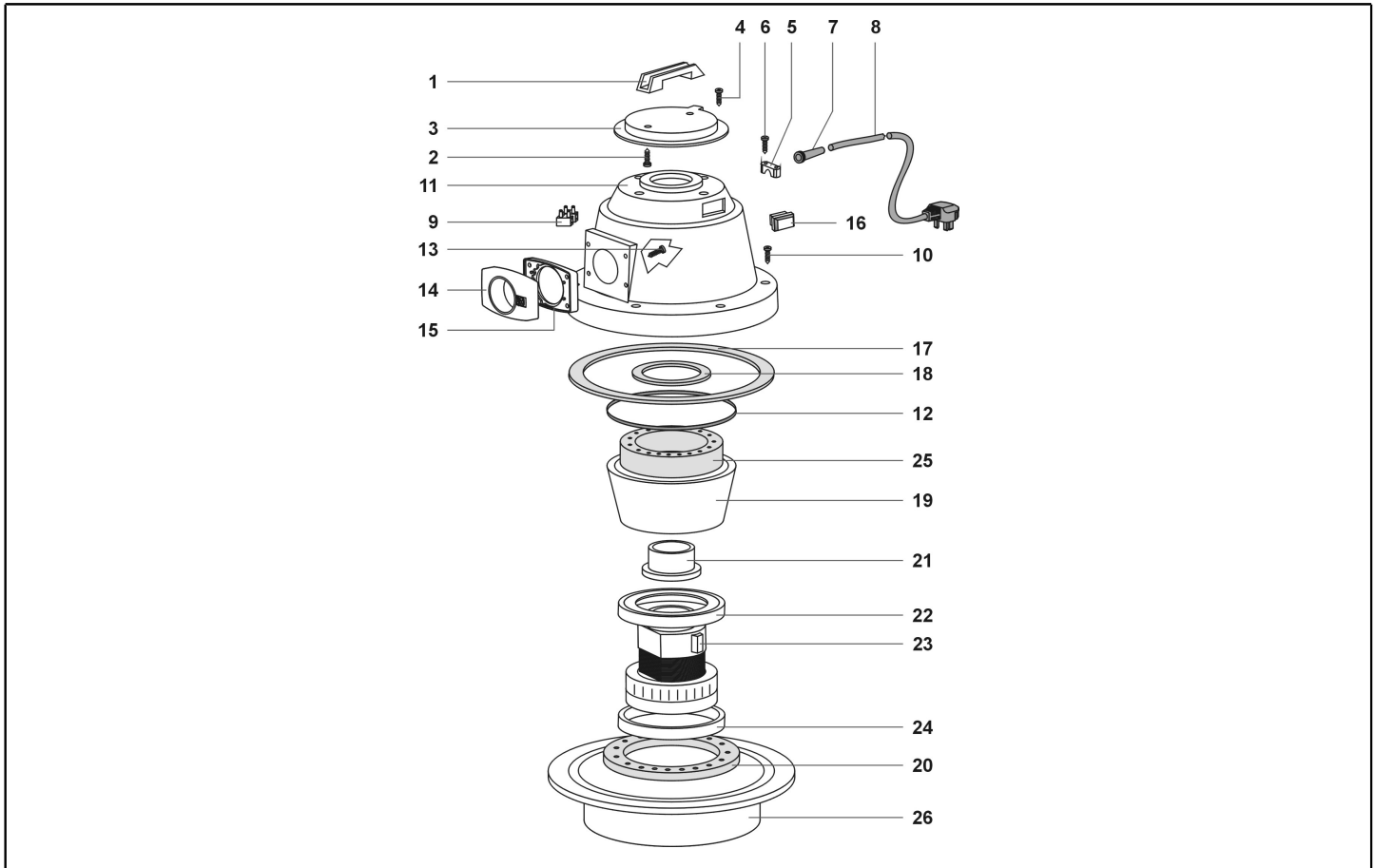
Cust.Model:



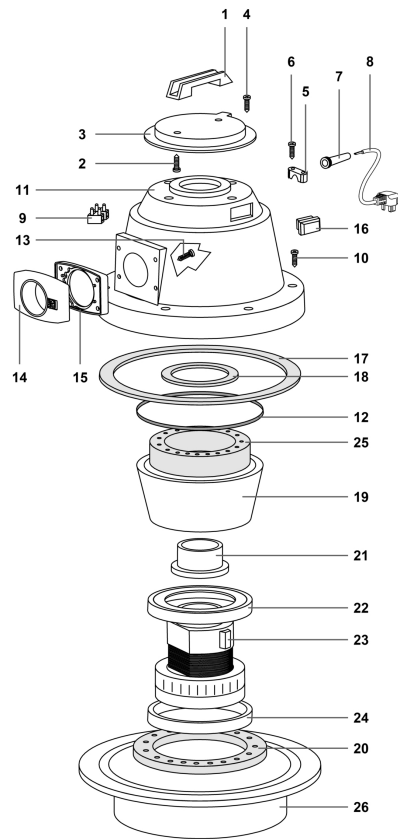
IPC Integrated Professional Cleaning

IPC Soteco

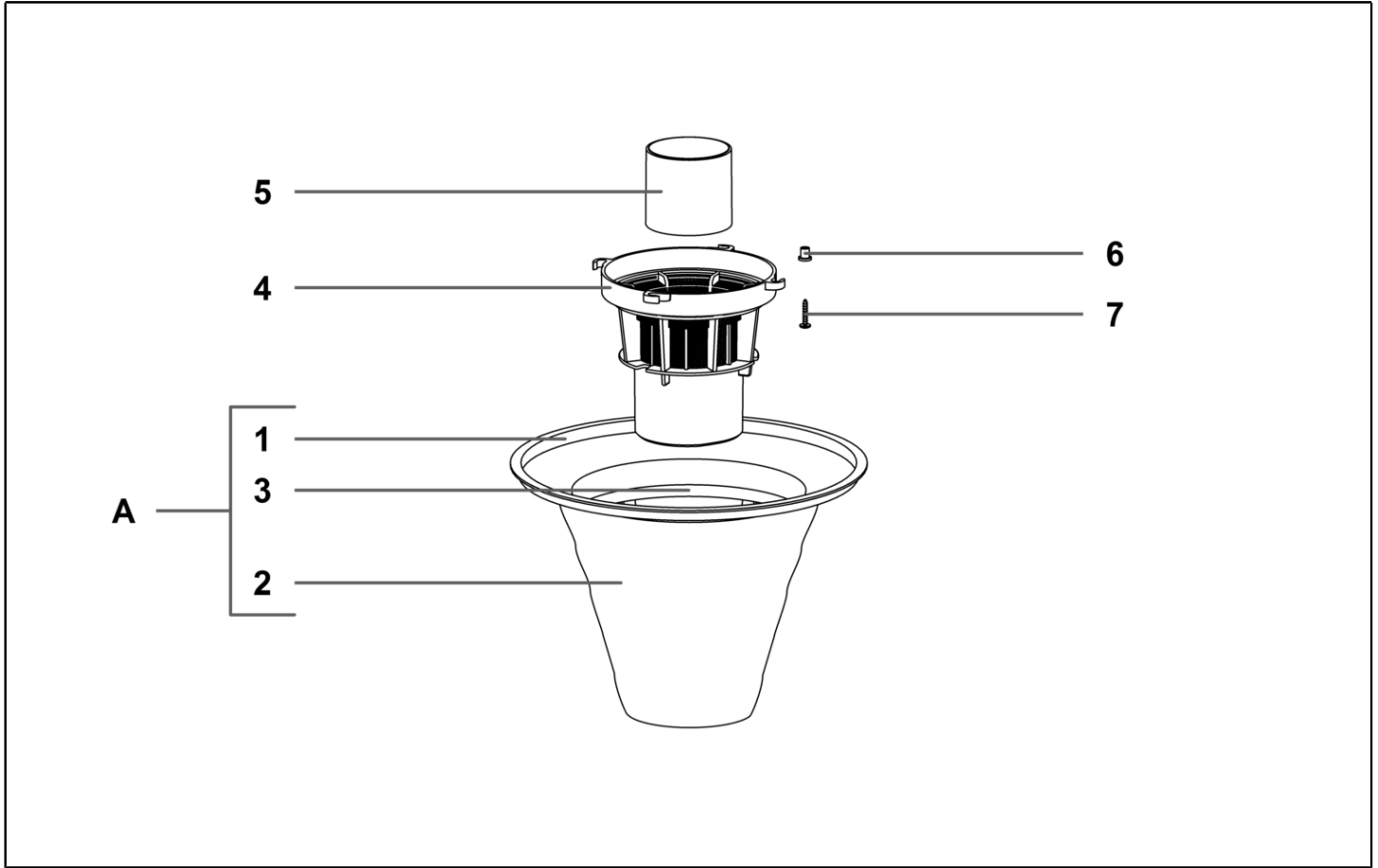
| Ref. K | Part N. | Part N. 2 | Description | Quantity | Validity | | Price |
|--------|-----------|-----------------|--|----------|------------|------------|-------|
| | | | | | From | To | |
| 0001 | PMTA01848 | N/A | HEAD B.503 BLOWING CABLE GB | 1,00 | | 25/03/2024 | -- |
| 0001 | PMTA09703 | N/A | HEAD B.503 SOFFIANTE NE/PA6 CA | 1,00 | 26/03/2024 | | -- |
| 0002 | KTRI04088 | N/A | FILTERING KIT 500 CONICO SAN.COMPL. | 1,00 | | | -- |
| 0003 | PMFU00547 | N/A | PLASTIC TANK 500/37 G6/G6/BLACK G/1847 | 1,00 | | 31/01/2021 | -- |
| 0003 | PMFU02878 | N/A | PLASTIC TANK 500/37 G6/RN BOCC.TANG.CO | 1,00 | 01/02/2021 | | -- |
| 0004 | CARR01593 | N/A | TROLLEY 500 VEGAS NE F/PLAST COMP | 1,00 | | | -- |
| 0005 | TBFX00821 | N/A | FLEXIBLE HOSE 38 MT.4,5 C/MAN.00084 | 1,00 | 13/01/2021 | 31/01/2021 | -- |
| 0005 | TBFX01341 | N/A | FLEXIBLE HOSE 38/99 D.60 MT.2,5 G55 | 1,00 | 01/02/2021 | | -- |
| 0006 | MPVR41815 | N/A | COUPLING 99 FOR FLEX HOSE D.58/D.60 | 1,00 | 01/02/2021 | | -- |
| 0007 | PMDT00012 | FLOOR BRUSH SET | FOR ATOM (AS SPARE) | 1,00 | 13/01/2021 | | -- |



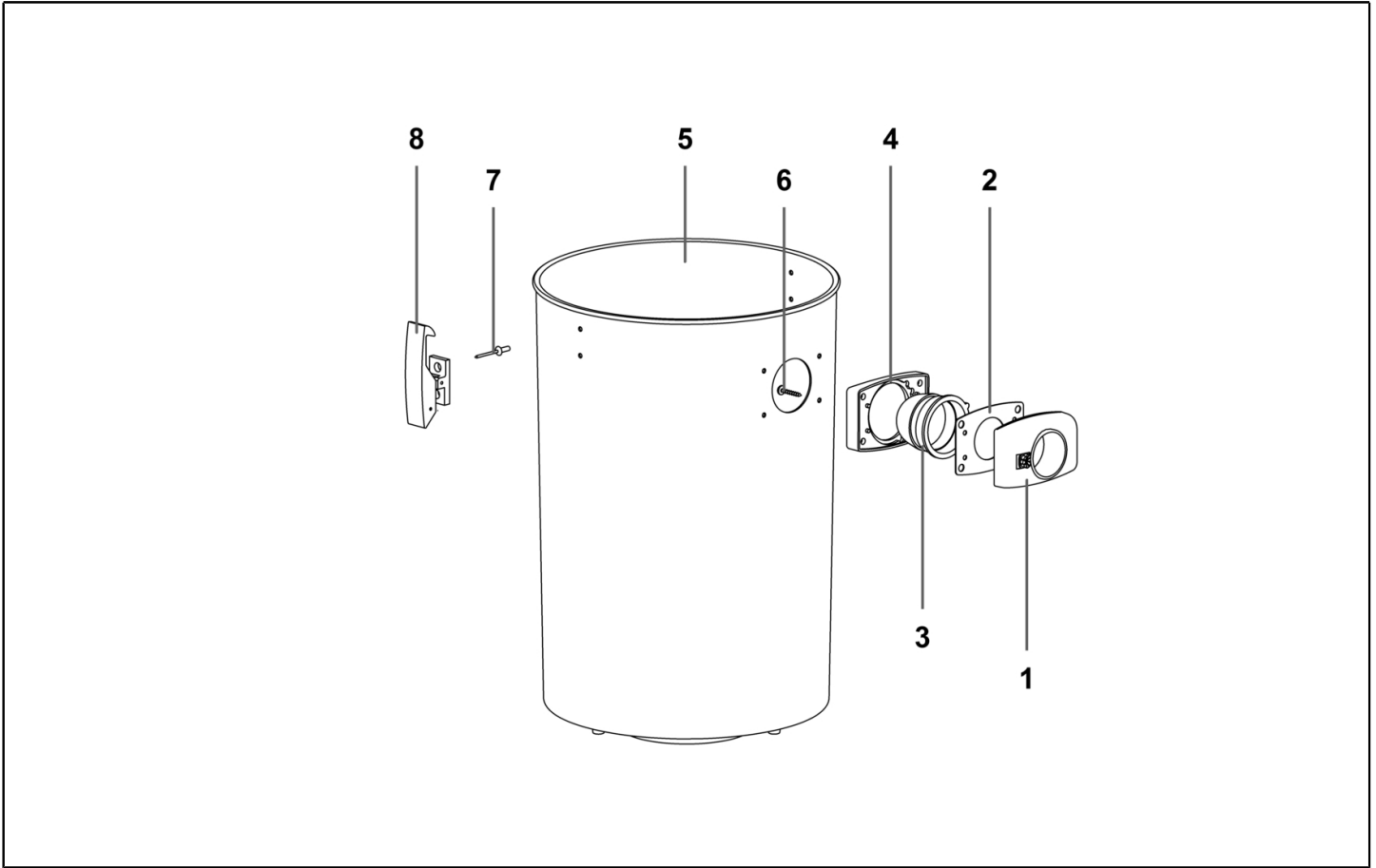
| Ref. K | Part N. | Part N. 2 | Description | Quantity | Validity | | Price |
|--------|-----------|-----------|--|----------|------------|------------|-------|
| | | | | | From | To | |
| * | FSVR00127 | N/A | CLAMP | 1,00 | | | -- |
| * | MECB01824 | N/A | WIRING 40CM MOTOR POKE-IN | 1,00 | 29/09/2016 | | -- |
| 0001 | MPVR09398 | N/A | HANDLE "T" BASE SELF. BLACK | 1,00 | 27/04/2016 | | -- |
| 0002 | VTVT71960 | N/A | SCREW PAT TMT PHL 5X14 ZN | 2,00 | | | -- |
| 0003 | MPVR07848 | N/A | BLACK FR.COVER B.300 AU. | 1,00 | 27/04/2016 | | -- |
| 0004 | VTVT71961 | N/A | SCREW PFU TMT PHL 5X20 ZN NERA | 4,00 | | | -- |
| 0005 | MPVR28690 | N/A | CABLE CLAMP | 1,00 | | | -- |
| 0006 | VTVT71961 | N/A | SCREW PFU TMT PHL 5X20 ZN NERA | 2,00 | | | -- |
| 0007 | MEVR28673 | N/A | FAIRLEAD | 1,00 | | | -- |
| 0008 | MECB01493 | N/A | POWER CORD 2X1 MT.8,5 GB ORANGE | 1,00 | | | -- |
| 0009 | MECB01963 | N/A | TERMINAL BOARD 300-500 2P RAD TP 1200 | 1,00 | 29/09/2016 | | -- |
| 0010 | VTVT71960 | N/A | SCREW PAT TMT PHL 5X14 ZN | 6,00 | 13/09/2016 | | -- |
| 0011 | MPVR10656 | N/A | COVERING RIZ SOFFIAN. S/BORDO NER | 1,00 | | | -- |
| 0012 | GUVR00534 | N/A | GASKET D.7 L=645 | 1,00 | 27/04/2016 | | -- |
| 0013 | VTVT71966 | N/A | SCREW PAT TMT PHL 5X30 BLACK | 4,00 | 27/04/2016 | | -- |
| 0014 | MPVR72109 | N/A | INLET R 155 BLACK | 1,00 | 27/04/2016 | 31/01/2021 | -- |
| 0014 | MPVR72129 | N/A | COMPLETE INLET 99/60 BLACK | 1,00 | 01/02/2021 | | -- |
| 0015 | GUGO28736 | N/A | GASKET R 205 BLACK | 1,00 | 27/04/2016 | | -- |
| 0016 | MECI72195 | N/A | ANTISPLASH SWITCH | 1,00 | | | -- |
| 0017 | GUVR00369 | N/A | GASKET BLOWING | 1,00 | | | -- |
| 0018 | GUVR00326 | N/A | GASKET H10 | 1,00 | | | -- |
| 0019 | MPVR07629 | N/A | MOTOR FASTENER BLOWING SELF-EXTRACTING | 1,00 | 27/04/2016 | | -- |
| 0020 | FTDP38067 | N/A | WASHER MTP 65MM 18D 230X145 | 1,00 | | 22/03/2024 | -- |
| 0020 | FTDP00888 | N/A | FILTER FONO D230X145X20 | 1,00 | 25/03/2024 | | -- |
| 0021 | MPVR08090 | N/A | RING MOTORE H=34 (41) PLAST. A | 1,00 | 13/09/2016 | | -- |
| 0022 | GUGO28683 | N/A | "L" GASKET W/O HOLES H=5,5 | 1,00 | | | -- |
| 0023 | MOMO00678 | N/A | MOTOR BD382 1300W 220-240 50/60 | 1,00 | 14/01/2016 | | -- |
| 0024 | GUVR00388 | N/A | "L" GASKET S/F H=8 | 1,00 | | | -- |
| 0025 | GUVR00381 | N/A | RING MTP/30 DIA.180X92 AU | 1,00 | | | -- |
| 0026 | PMBA00671 | N/A | BASE 500 BIST. SOFF. C/G. NERO | 1,00 | 27/04/2016 | | -- |



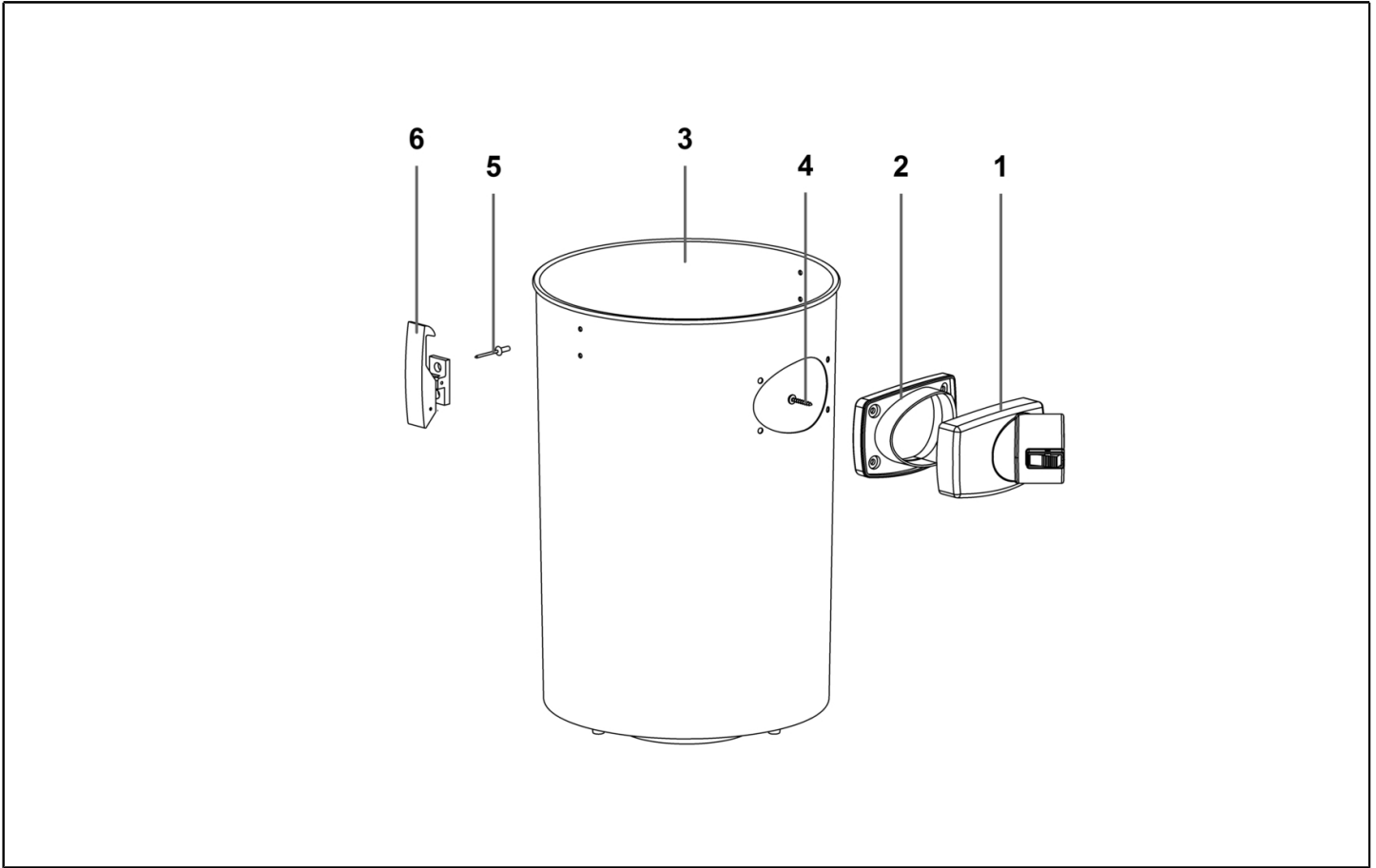
| Ref. K | Part N. | Part N. 2 | Description | Quantity | Validity | | Price |
|--------|-----------|-----------|--|----------|----------|----|-------|
| | | | | | From | To | |
| * | FSVR00127 | N/A | CLAMP | 1,00 | | | -- |
| * | MECB01824 | N/A | WIRING 40CM MOTOR POKE-IN | 1,00 | | | -- |
| 0001 | MPVR09398 | N/A | HANDLE "T" BASE SELF. BLACK | 1,00 | | | -- |
| 0002 | VTVT71960 | N/A | SCREW PAT TMT PHL 5X14 ZN | 2,00 | | | -- |
| 0003 | MPVR07848 | N/A | BLACK FR.COVER B.300 AU. | 1,00 | | | -- |
| 0004 | VTVT71961 | N/A | SCREW PFU TMT PHL 5X20 ZN NERA | 4,00 | | | -- |
| 0005 | MPVR28690 | N/A | CABLE CLAMP | 1,00 | | | -- |
| 0006 | VTVT71961 | N/A | SCREW PFU TMT PHL 5X20 ZN NERA | 2,00 | | | -- |
| 0007 | MEVR28673 | N/A | FAIRLEAD | 1,00 | | | -- |
| 0008 | MECB01493 | N/A | POWER CORD 2X1 MT.8,5 GB ORANGE | 1,00 | | | -- |
| 0009 | MECB01963 | N/A | TERMINAL BOARD 300-500 2P RAD TP 1200 | 1,00 | | | -- |
| 0010 | VTVT71960 | N/A | SCREW PAT TMT PHL 5X14 ZN | 6,00 | | | -- |
| 0011 | MPVR10656 | N/A | COVERING RIZ SOFFIAN. S/BORDO NER | 1,00 | | | -- |
| 0012 | GUVR00534 | N/A | GASKET D.7 L=645 | 1,00 | | | -- |
| 0013 | VTVT71966 | N/A | SCREW PAT TMT PHL 5X30 BLACK | 4,00 | | | -- |
| 0014 | PMVR07146 | N/A | PIPE UNION 99/60 PIANO NE/PA6 NAT | 1,00 | | | -- |
| 0015 | GUGO28736 | N/A | GASKET R 205 BLACK | 1,00 | | | -- |
| 0016 | MECI72195 | N/A | ANTISPLASH SWITCH | 1,00 | | | -- |
| 0017 | GUVR00369 | N/A | GASKET BLOWING | 1,00 | | | -- |
| 0018 | GUVR00326 | N/A | GASKET H10 | 1,00 | | | -- |
| 0019 | MPVR07629 | N/A | MOTOR FASTENER BLOWING SELF-EXTRACTING | 1,00 | | | -- |
| 0020 | FTDP00888 | N/A | FILTER FONO D230X145X20 | 1,00 | | | -- |
| 0021 | MPVR08090 | N/A | RING MOTORE H=34 (41) PLAST. A | 1,00 | | | -- |
| 0022 | GUGO28683 | N/A | "L" GASKET W/O HOLES H=5,5 | 1,00 | | | -- |
| 0023 | MOMO00678 | N/A | MOTOR BD382 1300W 220-240 50/60 | 1,00 | | | -- |
| 0024 | GUVR00388 | N/A | "L" GASKET S/F H=8 | 1,00 | | | -- |
| 0025 | GUVR00381 | N/A | RING MTP/30 DIA.180X92 AU | 1,00 | | | -- |
| 0026 | PMBA00671 | N/A | BASE 500 BIST. SOFF. C/G. NERO | 1,00 | | | -- |



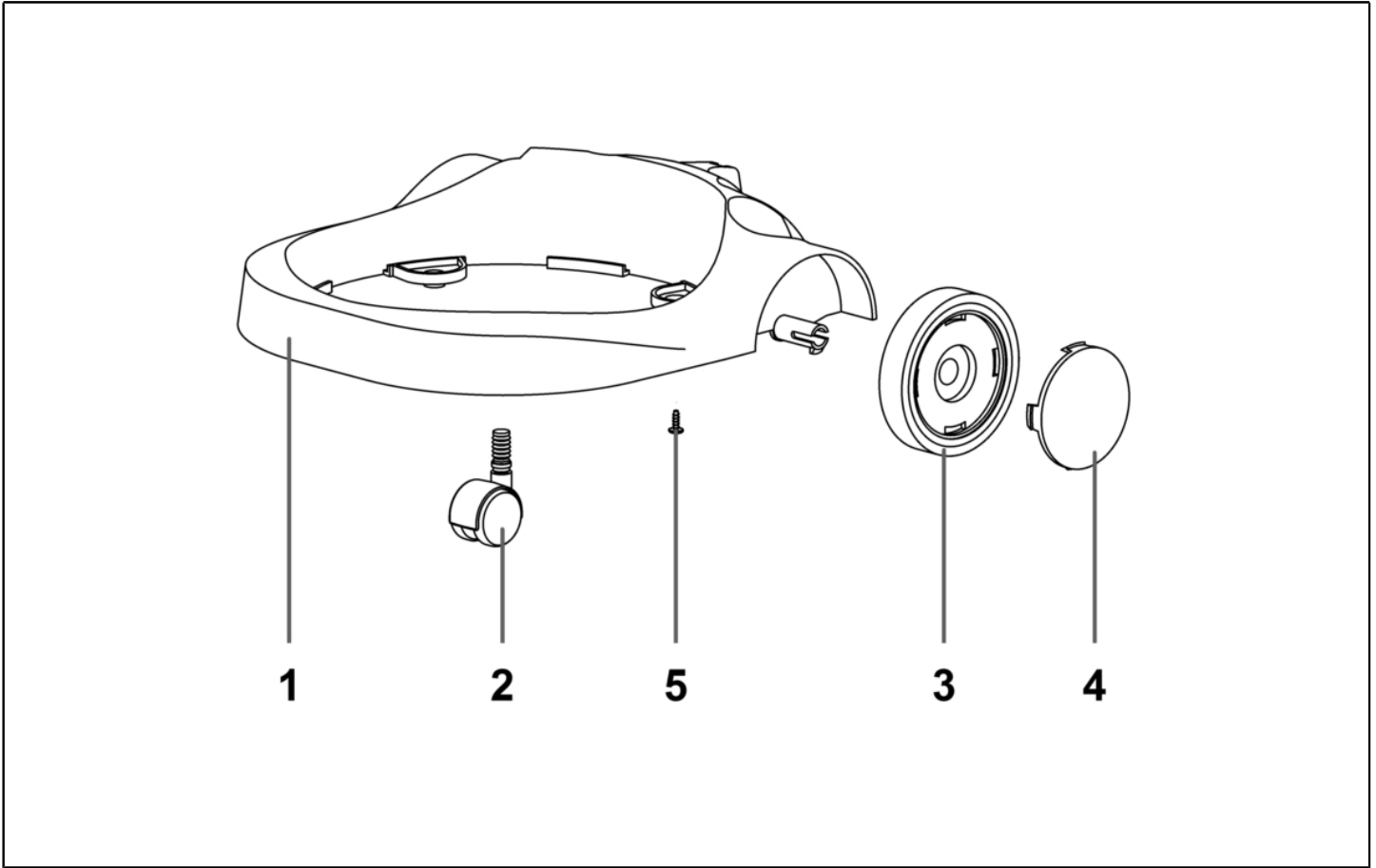
| Ref. K | Part N. | Part N. 2 | Description | Quantity | Validity | | Price |
|--------|-----------|-----------|----------------------------------|----------|----------|----|-------|
| | | | | | From | To | |
| A | KTRI02943 | N/A | KIT RING+FILT+BASK. 500 C | 1,00 | | | -- |
| 0001 | MPVR36522 | N/A | FILTER RING 500 | 1,00 | | | -- |
| 0002 | FTDP00534 | N/A | FILTER POLY AN3-500 CON REG H230 | 1,00 | | | -- |
| 0003 | MPVR37038 | N/A | CONICAL BASKET 300 | 1,00 | | | -- |
| 0004 | MPVR40521 | N/A | NET ANTIFOAM BODY HIGH | 1,00 | | | -- |
| 0005 | RCGR40008 | N/A | HIGH FLOAT 99 W/GASKET 37 SHA | 1,00 | | | -- |
| 0006 | MPVR35796 | N/A | BUSHING PLASTIC SLEEVE D.8 | 4,00 | | | -- |
| 0007 | VTVT36751 | N/A | SCREW SCREW PAT TMT PHL 5X25 | 4,00 | | | -- |



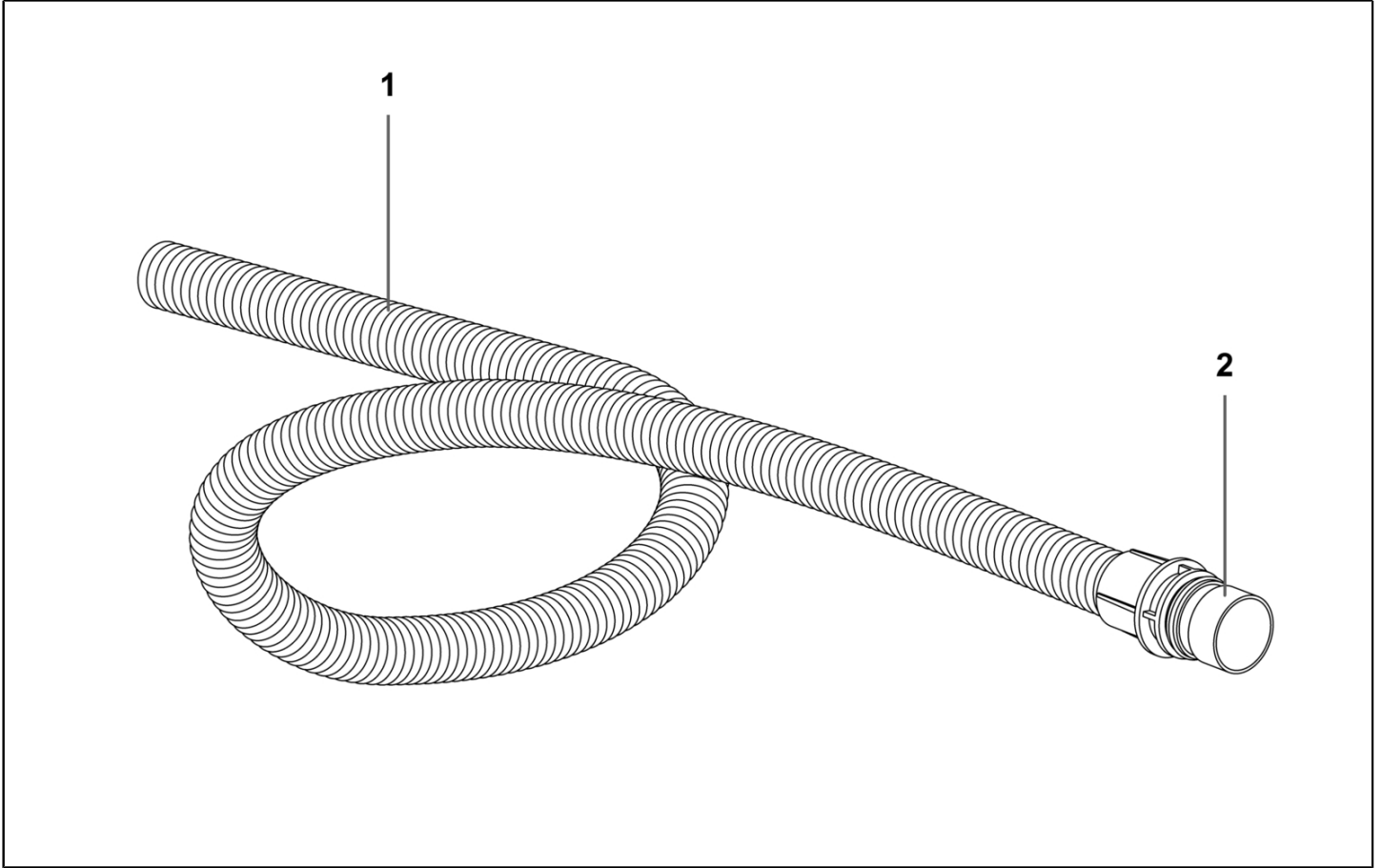
| Ref. K | Part N. | Part N. 2 | Description | Quantity | Validity | | Price |
|--------|-----------|-----------|---------------------------------------|----------|------------|------------|-------|
| | | | | | From | To | |
| 0001 | MPVR09012 | N/A | PIPE UNION R155 G6000 W/BUTT.BLACK | 1,00 | | | -- |
| 0002 | GUGO28701 | N/A | GASKET D.38 | 1,00 | | | -- |
| 0003 | MPVR28696 | N/A | DEFLECTOR 99 | 1,00 | | | -- |
| 0004 | MPVR08681 | N/A | GASKET R 205 GREY 6000 | 1,00 | | | -- |
| 0005 | PMVR04925 | N/A | PLASTIC TANK 500/37 G6 C/Q PERFORATED | 1,00 | | | -- |
| 0006 | VTVT71966 | N/A | SCREW PAT TMT PHL 5X30 BLACK | 4,00 | | | -- |
| 0007 | VTVR71992 | N/A | RIVET RIVET 4,8X17 | 4,00 | | | -- |
| 0008 | PMVR02871 | N/A | PLASTIC HOOK COMPL. GR6000 | 2,00 | | 05/12/2019 | -- |
| 0008 | CHVR28735 | N/A | COMPLETE PLASTIC HOOK BLACK | 2,00 | 06/12/2019 | | -- |



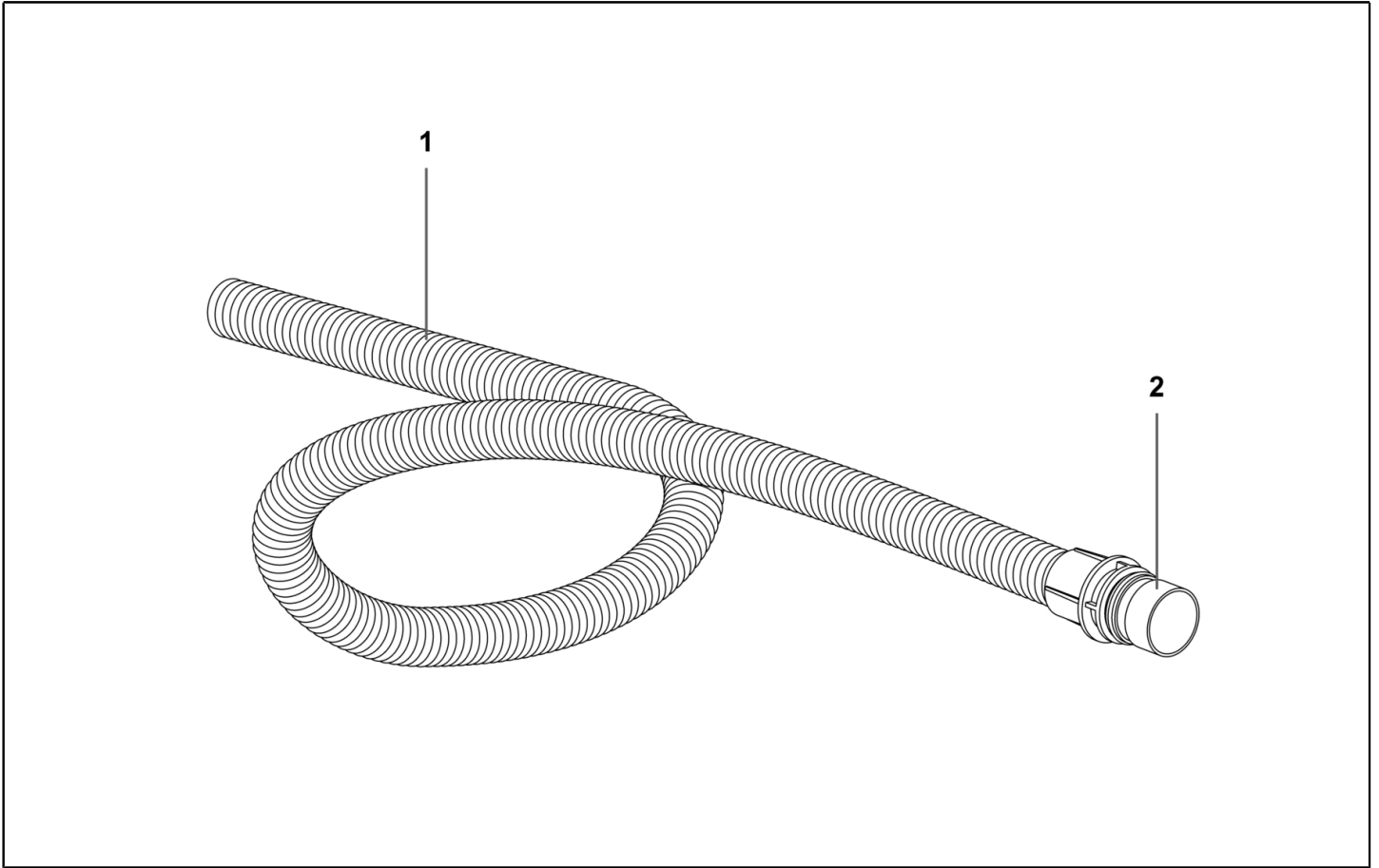
| Ref. K | Part N. | Part N. 2 | Description | Quantity | Validity | | Price |
|--------|-----------|-----------|--|----------|------------|------------|-------|
| | | | | | From | To | |
| 0001 | MPVR10409 | N/A | PIPE UNION TANG. COND. C/PUL.RN | 1,00 | | | -- |
| 0002 | MPVR07323 | N/A | GASKET BOCCH. TANGENZIALE R205 | 1,00 | | | -- |
| 0003 | PMVR06813 | N/A | PLASTIC TANK 500/37 G6 C/Q FORATO TANG | 1,00 | | | -- |
| 0004 | VTVT71966 | N/A | SCREW PAT TMT PHL 5X30 BLACK | 4,00 | | 25/08/2021 | -- |
| 0004 | VTVT72055 | N/A | SCREW PFU TMT PHL 5X25 ZN BLACK | 4,00 | 26/08/2021 | | -- |
| 0005 | VTVR71992 | N/A | RIVET RIVET 4,8X17 | 4,00 | | | -- |
| 0006 | CHVR28735 | N/A | COMPLETE PLASTIC HOOK BLACK | 2,00 | 23/01/2018 | | -- |



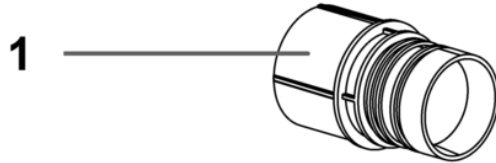
| Ref. K | Part N. | Part N. 2 | Description | Quantity | Validity | | Price |
|--------|---------|-----------|-------------|----------------------------------|----------|----|-------|
| | | | | | From | To | |
| 0001 | E | MPVR40522 | N/A | TROLLEYTROLLEY BODY 500 VEGAS BL | 1,00 | | -- |
| 0002 | E | RTRT42006 | N/A | TROLLEY BOX WHEEL | 2,00 | | -- |
| 0003 | E | RTRT85778 | N/A | WHEEL BODY YES | 2,00 | | -- |
| 0004 | E | MPVR40523 | N/A | WHEEL COVERING YES BLACK | 2,00 | | -- |
| 0005 | E | VTVT71960 | N/A | SCREW PAT TMT PHL 5X14 ZN | 4,00 | | -- |



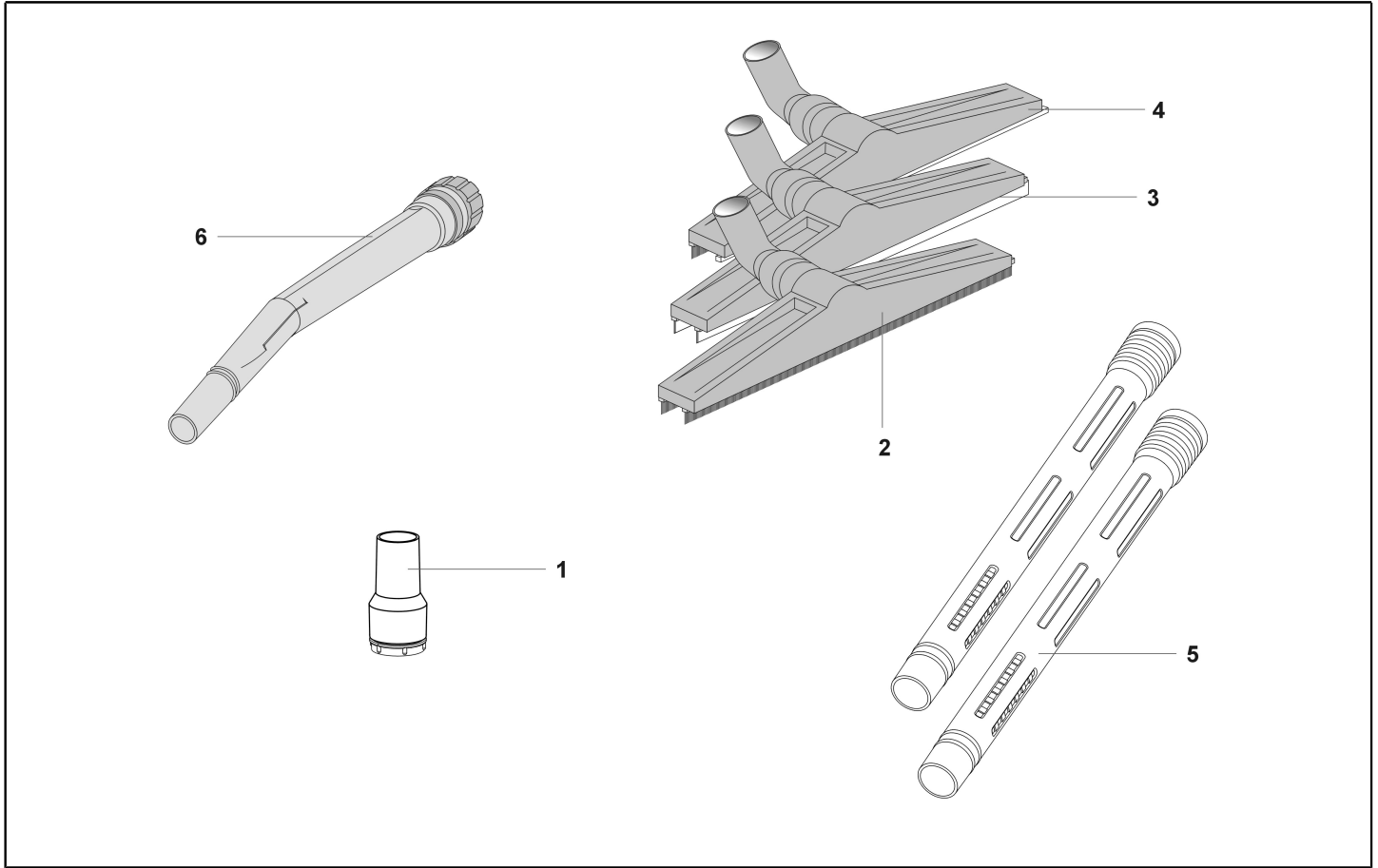
| Ref. K | Part N. | Part N. 2 | Description | Quantity | Validity | | Price |
|--------|-----------|-----------|----------------------------------|----------|----------|----|-------|
| | | | | | From | To | |
| 0001 | TBFX00558 | N/A | FLEXIBLE HOSE 38 GR5500 AL METRO | 4,50 | | | -- |
| 0002 | MPVR07479 | N/A | SLEEVE TUBOFLEX D.38/D.38 C/OR | 1,00 | | | -- |



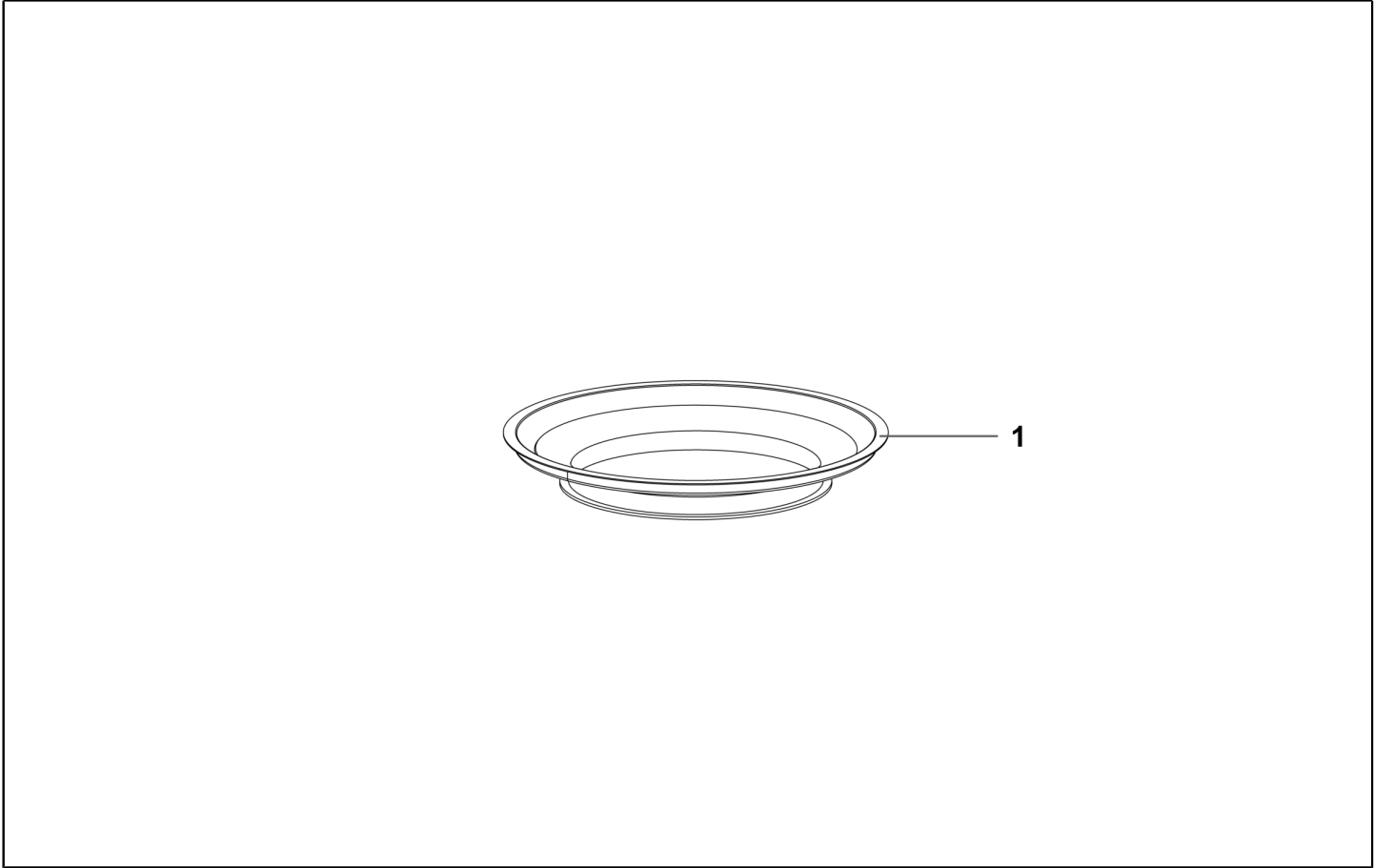
| Ref. K | Part N. | Part N. 2 | Description | Quantity | Validity | | Price |
|--------|-----------|-----------|-------------------------------------|----------|----------|----|-------|
| | | | | | From | To | |
| 0001 | MPVR72132 | N/A | COUPLING 99 FOR FLEX HOSE D.38/D.60 | 1,00 | | | -- |
| 0002 | TBFX00558 | N/A | FLEXIBLE HOSE 38 GR5500 AL METRO | 2,37 | | | -- |



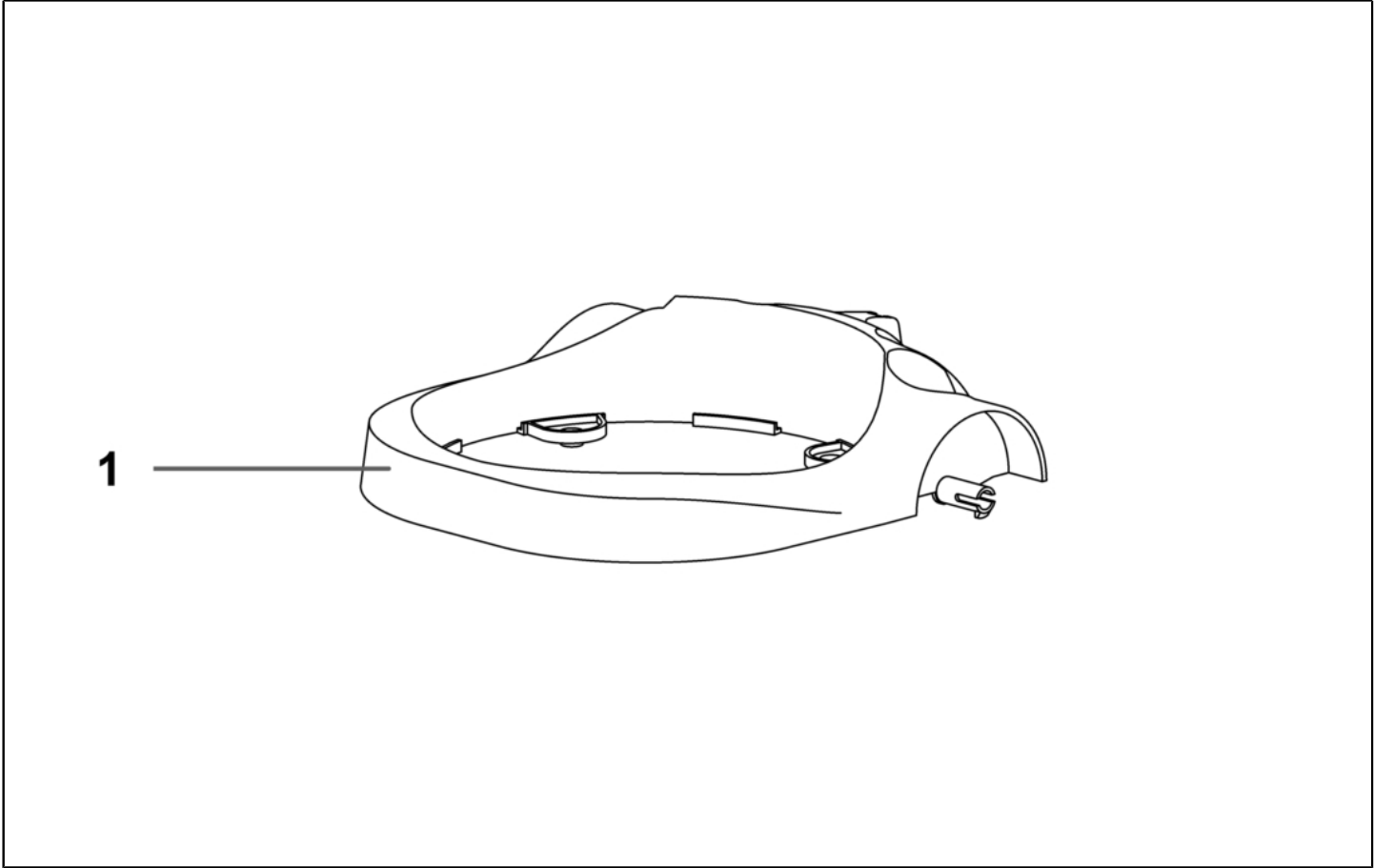
| Ref. K | Part N. | Part N. 2 | Description | Quantity | Validity | | Price |
|--------|-----------|-----------|-------------------------------------|----------|----------|----|-------|
| | | | | | From | To | |
| 0001 | MPVR41815 | N/A | COUPLING 99 FOR FLEX HOSE D.58/D.60 | 1,00 | | | -- |
| 0001 | MPVR41815 | N/A | COUPLING 99 FOR FLEX HOSE D.58/D.60 | 1,00 | | | -- |



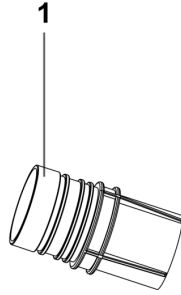
| Ref. K | Part N. | Part N. 2 | Description | Quantity | Validity | | Price |
|--------|-----------|-----------|-------------------------------------|----------|----------|----|-------|
| | | | | | From | To | |
| 0001 | RCVR72221 | N/A | ROTATING CUFF D.38/D.38 | 1,00 | | | -- |
| 0002 | SPPV43050 | N/A | BRISTLES BRUSH D.40 | 1,00 | | | -- |
| 0003 | SPPV43051 | N/A | CURVED WET TOOL 400 D.38 | 1,00 | | | -- |
| 0004 | SPPV01336 | N/A | CURVED CARPET TOOL 400 D.38 | 1,00 | | | -- |
| 0005 | LAFN43048 | N/A | EXTENSION ALL-PL DIA.40 MT. 0,50 NE | 2,00 | | | -- |
| 0006 | MPVR43047 | N/A | EXTENSION CURVED EXTENSION | 1,00 | | | -- |



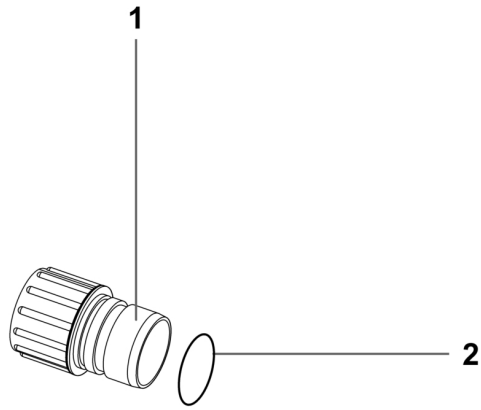
| Ref. K | Part N. | Part N. 2 | Description | Quantity | Validity | | Price |
|--------|-----------|-----------|-----------------|----------|----------|----|-------|
| | | | | | From | To | |
| 0001 | MPVR36522 | N/A | FILTER RING 500 | 1,00 | | | -- |
| 0001 | MPVR36522 | N/A | FILTER RING 500 | 1,00 | | | -- |



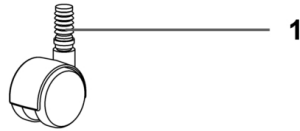
| Ref. K | Part N. | Part N. 2 | Description | Quantity | Validity | | Price |
|--------|-----------|-----------|----------------------------------|----------|----------|----|-------|
| | | | | | From | To | |
| 0001 | MPVR40522 | N/A | TROLLEYTROLLEY BODY 500 VEGAS BL | 1,00 | | | -- |
| 0001 | MPVR40522 | N/A | TROLLEYTROLLEY BODY 500 VEGAS BL | 1,00 | | | -- |



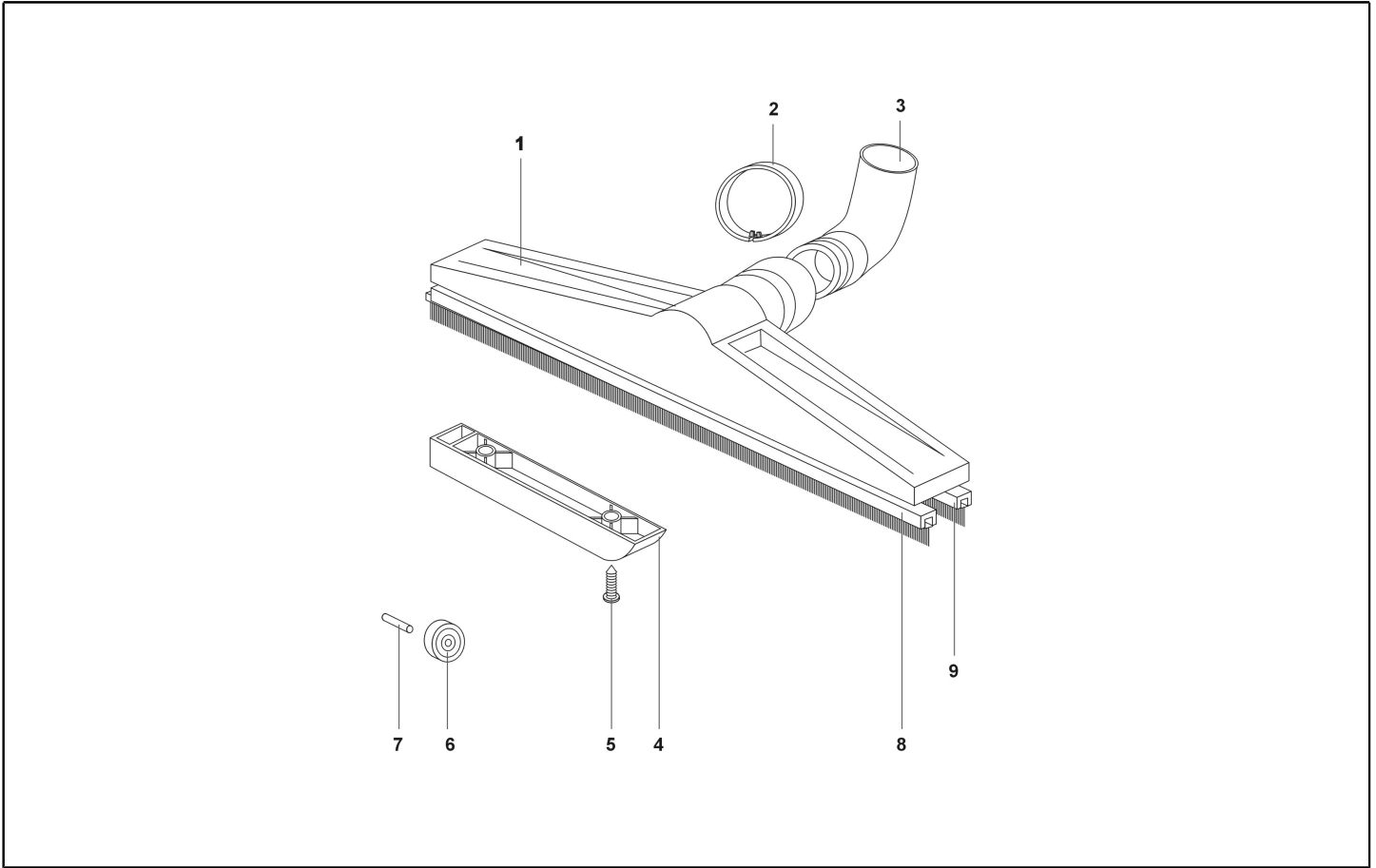
| Ref. K | Part N. | Part N. 2 | Description | Quantity | Validity | | Price |
|--------|-----------|-----------|-------------------------------------|----------|----------|----|-------|
| | | | | | From | To | |
| 0001 | MPVR72132 | N/A | COUPLING 99 FOR FLEX HOSE D.38/D.60 | 1,00 | | | -- |
| 0001 | MPVR72132 | N/A | COUPLING 99 FOR FLEX HOSE D.38/D.60 | 1,00 | | | -- |



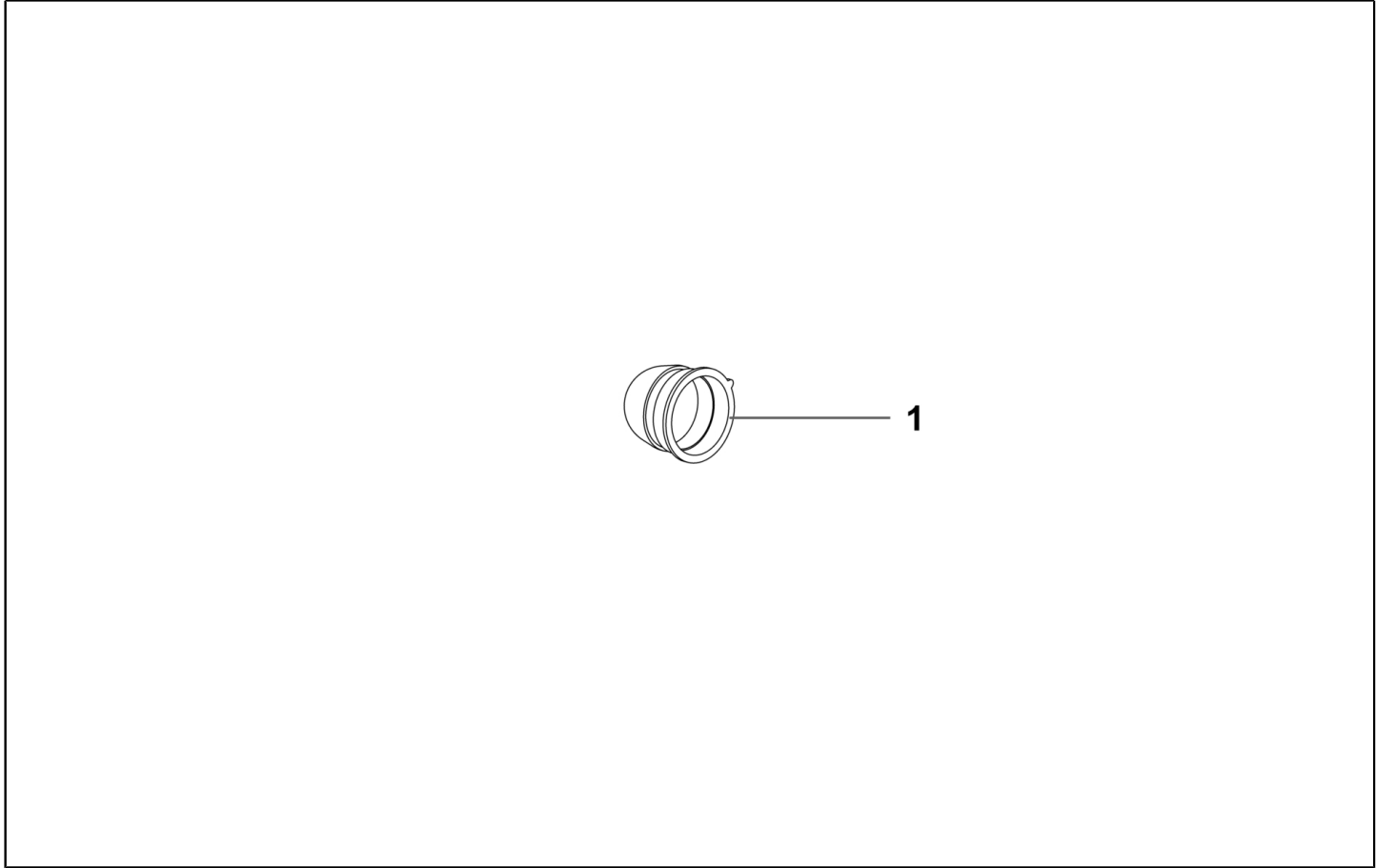
| Ref. K | Part N. | Part N. 2 | Description | Quantity | Validity | | Price |
|--------|-----------|-----------|------------------------------|----------|------------|----|-------|
| | | | | | From | To | |
| 0001 | MPVR13223 | N/A | SLEEVE TUBOFLEX D.38/D.38 | 1,00 | 11/06/2021 | | -- |
| 0002 | GUGO00408 | N/A | O-RING D.INT. 44,12X2,62 NBR | 1,00 | | | -- |



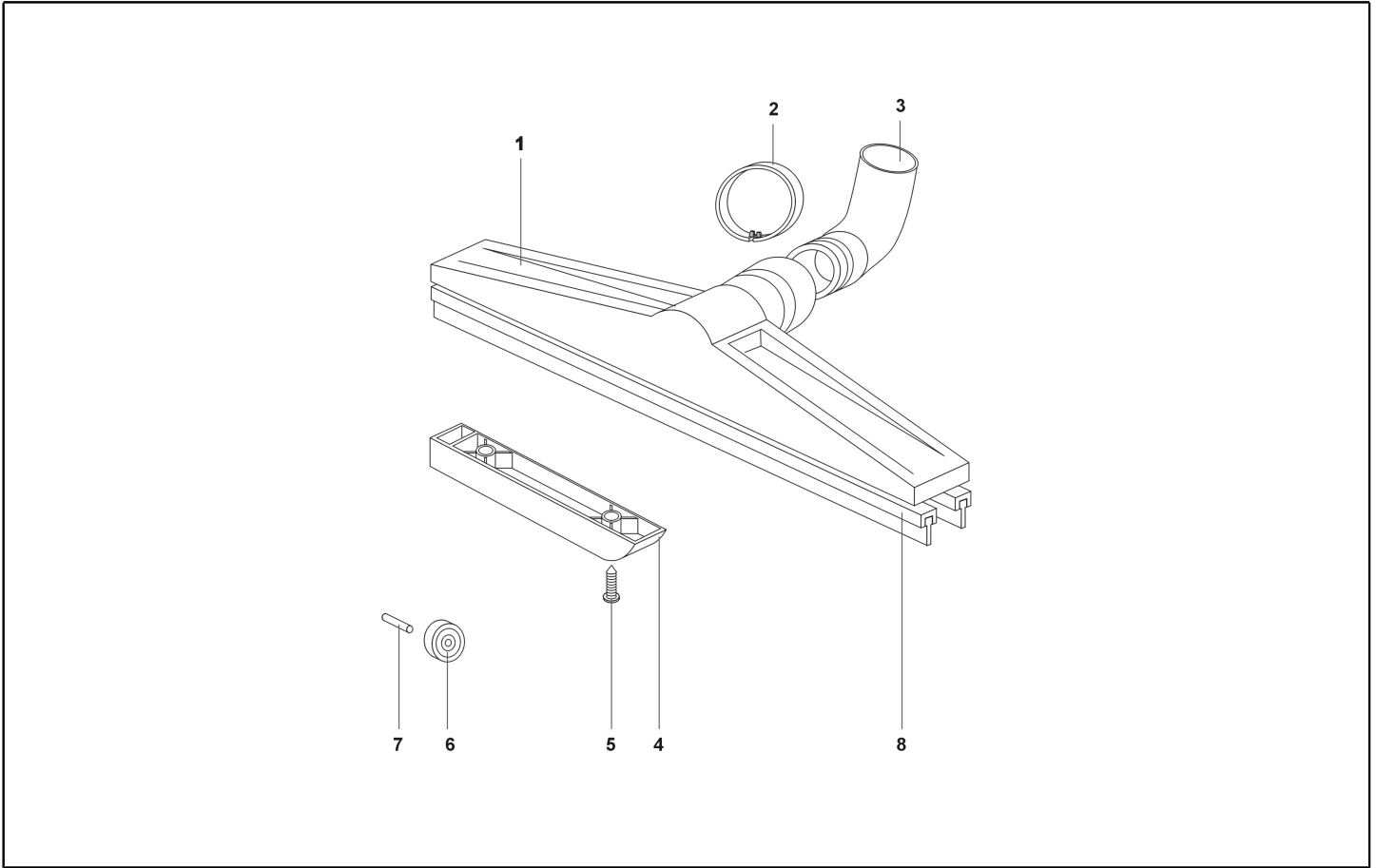
| Ref. K | Part N. | Part N. 2 | Description | Quantity | Validity | | Price |
|--------|-----------|-----------|-------------------|----------|----------|----|-------|
| | | | | | From | To | |
| 0001 | RTRT42006 | N/A | TROLLEY BOX WHEEL | 1,00 | | | -- |
| 0001 | RTRT42006 | N/A | TROLLEY BOX WHEEL | 1,00 | | | -- |



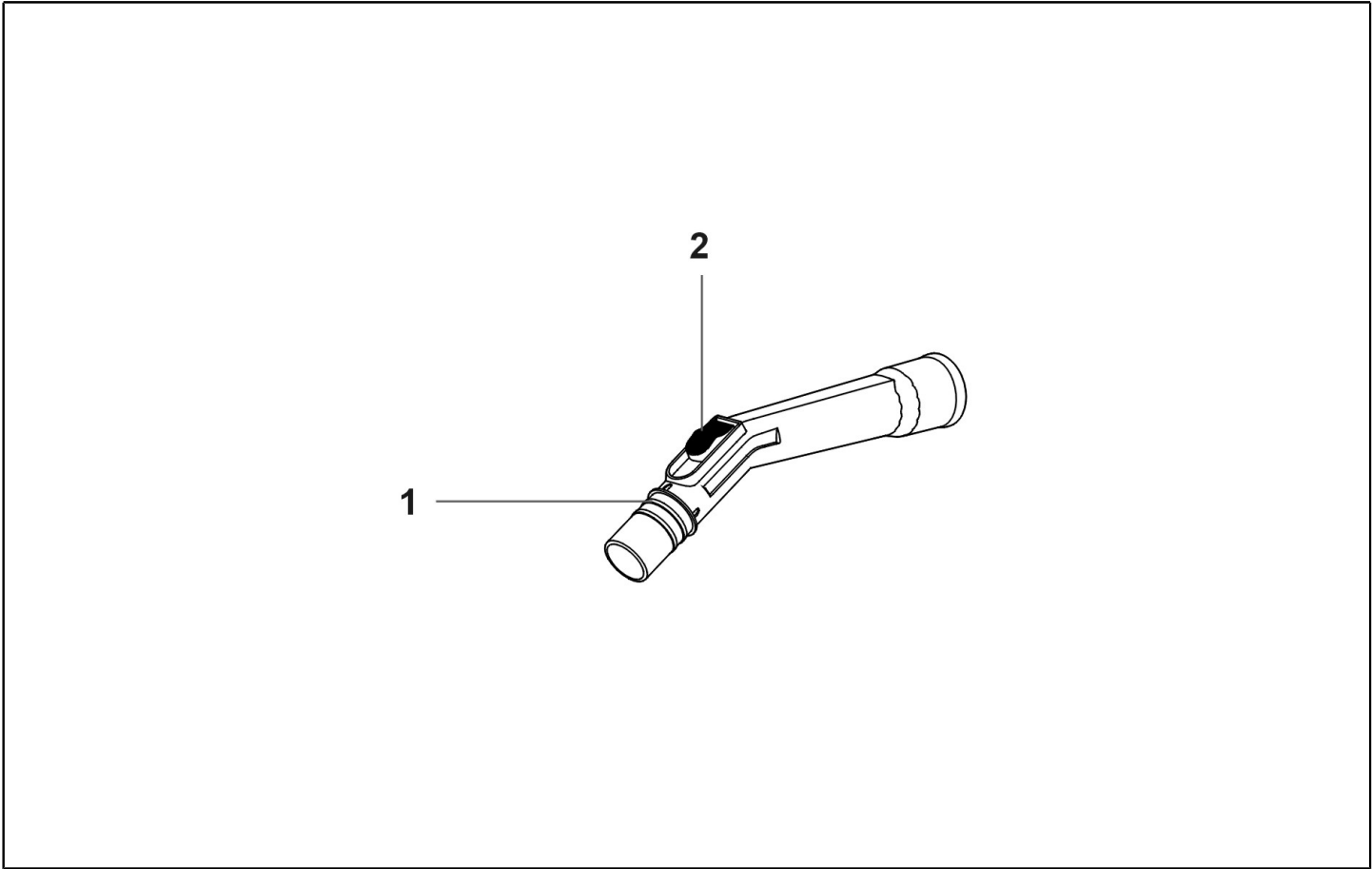
| Ref. K | Part N. | Part N. 2 | Description | Quantity | Validity | | Price |
|--------|-----------|-----------|---------------------------------|----------|----------|----|-------|
| | | | | | From | To | |
| 0001 | MPVR06726 | N/A | BODY SPAZZOLA 400 | 1,00 | | | -- |
| 0002 | MPVR49176 | N/A | ELASTIC RING NUT BRUSH 400 | 1,00 | | | -- |
| 0003 | MPVR02289 | N/A | BRUSH 400 ELBOW CLUTCH D.38 | 1,00 | | | -- |
| 0004 | MPVR06728 | N/A | SUPPORT PORTARUOTA SPAZZ.400 | 2,00 | | | -- |
| 0005 | VTVT01193 | N/A | SCREW PAT TMT PHL 5X15 ZN BLACK | 4,00 | | | -- |
| 0006 | RTRT87117 | N/A | WHEEL D.25 BRUSH 300/400 | 2,00 | | | -- |
| 0007 | LAFN86068 | N/A | PIVOT 5 X 17,5 ZN | 2,00 | | | -- |
| 0008 | SPPV76601 | N/A | STRIP L=395 | 1,00 | | | -- |
| 0009 | SPPV76599 | N/A | GUIDE LIST W/STRIP L=395 | 1,00 | | | -- |



| Ref. K | Part N. | Part N. 2 | Description | Quantity | Validity | | Price |
|--------|-----------|-----------|--------------|----------|----------|----|-------|
| | | | | | From | To | |
| 0001 | MPVR28696 | N/A | DEFLECTOR 99 | 1,00 | | | -- |
| 0001 | MPVR28696 | N/A | DEFLECTOR 99 | 1,00 | | | -- |



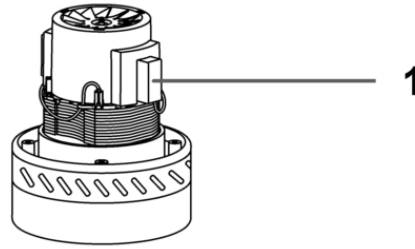
| Ref. K | Part N. | Part N. 2 | Description | Quantity | Validity | | Price |
|--------|-----------|-----------|---------------------------------|----------|----------|----|-------|
| | | | | | From | To | |
| 0001 | MPVR06726 | N/A | BODY SPAZZOLA 400 | 1,00 | | | -- |
| 0002 | MPVR49176 | N/A | ELASTIC RING NUT BRUSH 400 | 1,00 | | | -- |
| 0003 | MPVR02289 | N/A | BRUSH 400 ELBOW CLUTCH D.38 | 1,00 | | | -- |
| 0004 | MPVR06728 | N/A | SUPPORT PORTARUOTA SPAZZ.400 | 2,00 | | | -- |
| 0005 | VTVT01193 | N/A | SCREW PAT TMT PHL 5X15 ZN BLACK | 4,00 | | | -- |
| 0006 | RTRT87117 | N/A | WHEEL D.25 BRUSH 300/400 | 2,00 | | | -- |
| 0007 | LAFN86068 | N/A | PIVOT 5 X 17,5 ZN | 2,00 | | | -- |
| 0008 | MPVR38641 | N/A | GUIDE LIST W/WET L=395 | 2,00 | | | -- |



| Ref. K | Part N. | Part N. 2 | Description | Quantity | Validity | | Price |
|--------|-----------|-----------|----------------------------|----------|----------|----|-------|
| | | | | | From | To | |
| 0001 | MPVR10505 | N/A | CURVE PLAST DIA 38 | 1,00 | | | -- |
| 0002 | MPVR06762 | N/A | BUTTON REGOLAZIONE ARIA G5 | 1,00 | | | -- |



| Ref. K | Part N. | Part N. 2 | Description | Quantity | Validity | | Price |
|--------|-----------|-----------|------------------------------|----------|----------|----|-------|
| | | | | | From | To | |
| 0001 | VTVT36751 | N/A | SCREW SCREW PAT TMT PHL 5X25 | 1,00 | | | -- |
| 0001 | VTVT36751 | N/A | SCREW SCREW PAT TMT PHL 5X25 | 1,00 | | | -- |



| Ref. K | Part N. | Part N. 2 | Description | Quantity | Validity | | Price |
|--------|-----------|-----------|---------------------------------|----------|----------|----|-------|
| | | | | | From | To | |
| 0001 | MOMO00678 | N/A | MOTOR BD382 1300W 220-240 50/60 | 1,00 | | | -- |
| 0001 | MOMO00678 | N/A | MOTOR BD382 1300W 220-240 50/60 | 1,00 | | | -- |
| 0001 | MOMO00678 | N/A | MOTOR BD382 1300W 220-240 50/60 | 1,00 | | | -- |