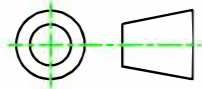


DRAWING No.
55 65510 00



THIRD ANGLE PROJECTION

DO NOT SCALE

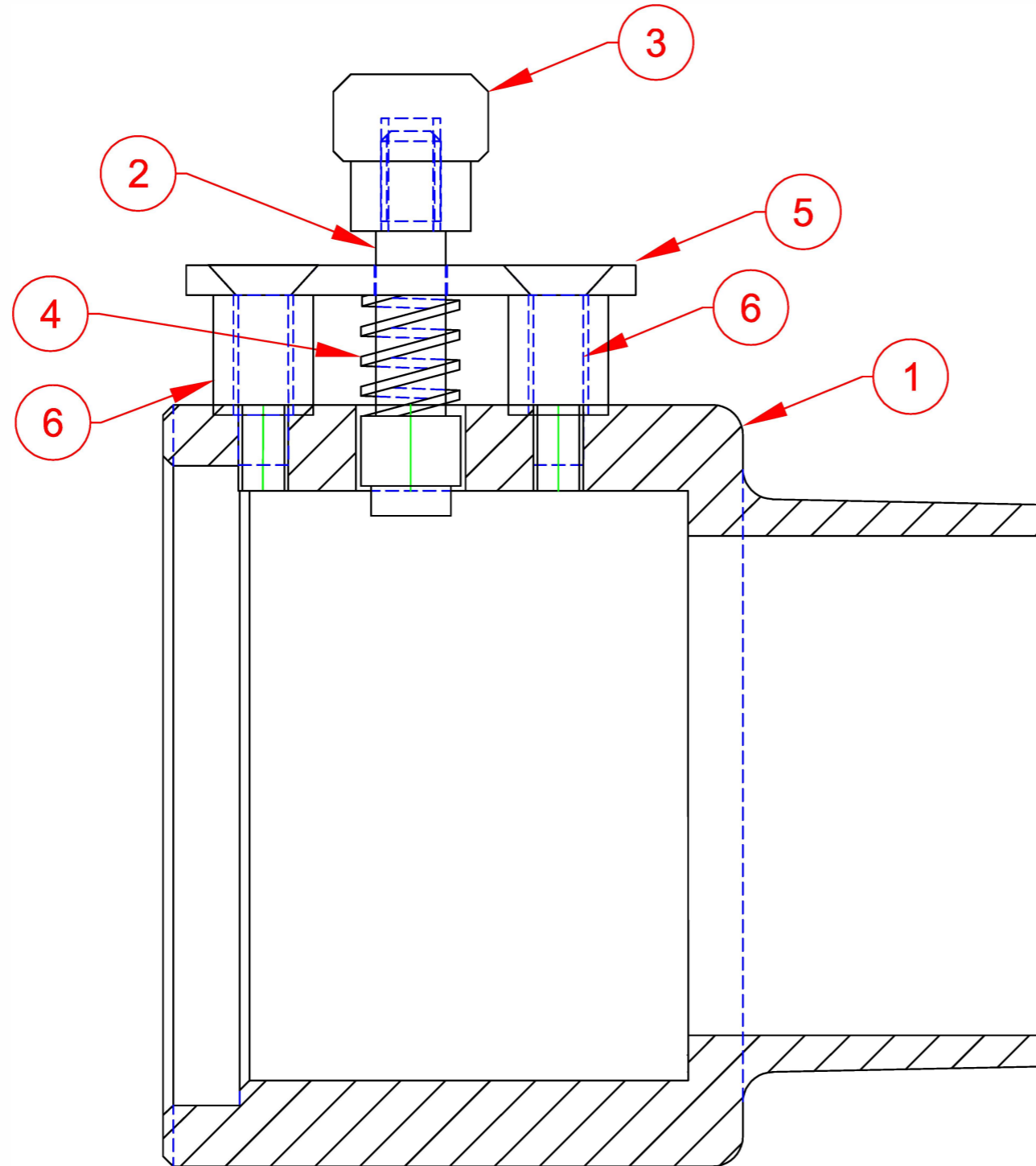
REMOVE ALL BURRS AND SHARP EDGES

IF IN DOUBT - ASK

© THIS DRAWING IS THE PROPERTY OF SPINACLEAN LTD AND THE COPYRIGHT IS RESERVED BY THEM

COMMENTS

1) NEW DRAWING



MATERIAL SEE PARTS LIST	FINISH
TOLERANCES 0 ± 1 0.0 ± 0.5 0.00 ± 0.15 UNLESS STATED	SCALE: N.T.S. DIMENSIONS: mm

PROJECT
YP5 PETROL 5.5HP

ISSUE	1	2	3	4	5	6	7	8	9	10
DATE	18/09/18	22/10/18								
PREPARED	MRB	GPH								
CHECKED	--	--								
APPROVED	RJP	RJP								
CHANGE NOTE	18/062	18/065								



TITLE
SKYVAC ADAPTOR ASSY
DRAWING No.
55 65510 00

TITLE	BVC-SKYVAC ADAPTOR ASSY	THIS DRAWING IS THE PROPERTY OF Spinaclean Ltd. AND THE COPYRIGHT IS RESERVED BY THEM	No. 65510 Sheet 1 of 1
--------------	--------------------------------	--	---------------------------

This Parts list shall be used in conjunction with a General Assembly drawing which bears the same title, number and issue.

ITEM	QTY.	DRAWING No.	STOCK CODE No.	DESCRIPTION	REMARKS
1	1	65509	536550900	BVC-SKYVAC ADAPTOR	
2	1	62686	536268602	PLUNGER - FLAT END	
3	1	75161	017516100	PLUNGER KNOB	
4	1	62755	536275501	PLUNGER SPRING REF 48	
5	1	62739	536273901	PLUNGER RETAINING PLATE	
6	2	50220	835022059	SCREW M5X20 CSK STST A2 POZI	
7	2	65511	536551100	12mm SPACER	
8					
9					
10					
11					
12					
13					
14					
15					
16					
17					
18					
19					
20					
21					
22					
23					
24					
25					
26					
27					
28					
29					
30					

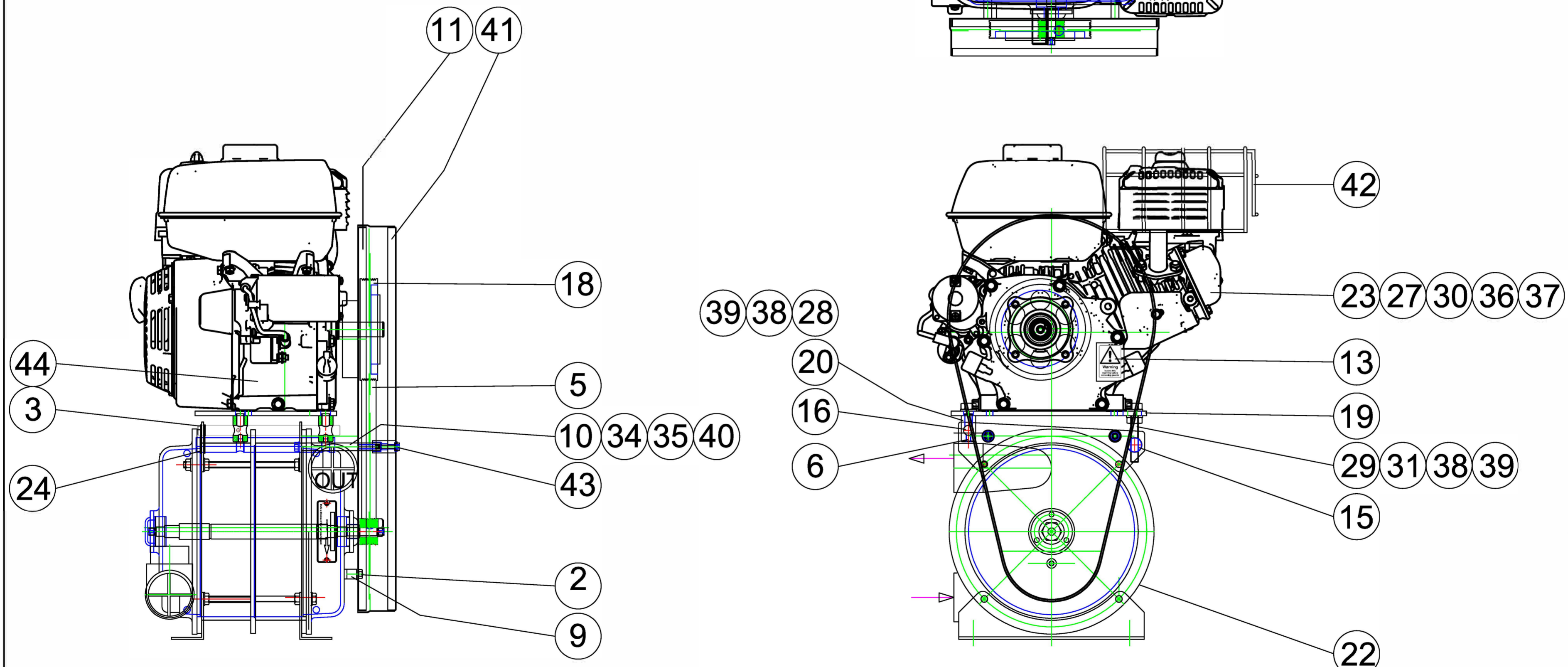
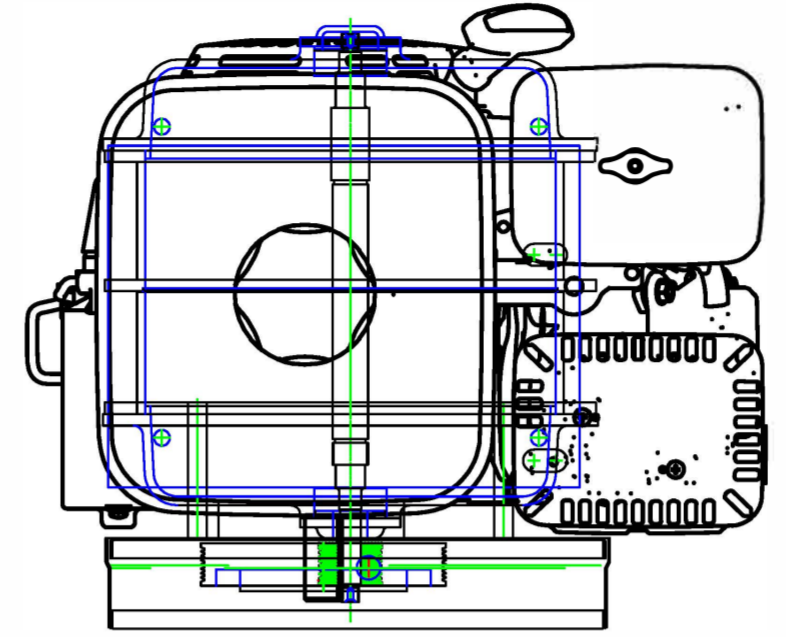
ISSUE	1	2	3	4	5	6	7	8	9	10
DATE	18/09/18	22/10/18								
PREPARED	MRB	GPH								
CHECKED										
APPROVED	RP	RJP								
CHANGE NOTE		18/065								



PARTS LIST No.	65510
Sheet	1 of 1

COMMENTS
 1) New Drawing
 2) Added item 44
 3) REMOVED ITEM 17,
 CHANGED ITEM 18
 4) ADDED ITEM 45 TO
 02 VARIANT

Drawing number	Description.
55 65506 01	YP5/110 Petrol Driven exhauster Rope Start
55 65506 02	YP5/110 Petrol Driven exhauster Electric Start



MATERIAL	FINISH
TOLERANCES	SCALE:
0 ± 1	N.T.S.
0.0 ± 0.5	DIMENSIONS:
0.00 ± 0.15	mm
UNLESS STATED	

PROJECT
Skyvac

ISSUE	1	2	3	4	5	6	7	8	9	10
DATE	03/10/18	31/10/18	12/03/19	13/03/19						
PREPARED	ME	MRB	MRB	MRB						
CHECKED	MB	ME								
APPROVED	RP	RP	RP	RP						
CHANGE NOTE	18/062	18/071	19/037	19/039						



TITLE YP5/110 Petrol Driven Exhauster
 DRAWING No. 55 65506 00

TITLE YP5/110 5.5HP Petrol Driven Electric Start				THIS DRAWING IS THE PROPERTY OF Spinaclean Ltd. AND THE COPYRIGHT IS RESERVED BY THEM				No. 55 65506 02 Sheet 1 of 2	
---	--	--	--	--	--	--	--	---------------------------------	--

ITEM	QTY.	DRAWING No.	STOCK CODE No.	DESCRIPTION	COST	REMARKS
1						
2	1		015048158	1/4" BSW HEX HD SCREW		
3	2		018106400	CIRCLIP REF D1500-01		
5	1		018715200	POLY VEE BELT 787 8 rib		
6	3		019103000	1/4" BSW GRUB SCREW		
7	4		013704958	NUT 1/4 BSW		
8						
9	1		535388904	SPACER		
10	2		533571401	SPACING PILLAR		
11	1		546549600	BELTGUARD REAR		
12	0		535708400	ROTATION ARROW		
13	1		536550200	WARNING LABEL		
14						
15	1		536077802	ADJUSTER SCREW BAR		
16	1		536145203	BODY PIN		
17						
18	1		536183107	MOTOR PULLEY 130DIA		
19	1		536549700	MOTOR PLATE		
20	2		536198501	MOUNTING LUG		
21						
22	1		556187106	YP5 EXHAUSTER		
23	1		815580000	Honda GX160 Electric Start		
24	2		818100100	CIRCLIP D1400-01		
25						
26						
27	4		838063058	M8x30LG HEX HD SCREW		
28	2		841060858	M10x 16LG HEX HD SCREW		
29	2		851066858	M10x 70LG HEX HD SCREW		
30	4		860800258	M8 FULL NUT		

ISSUE	1	2	3	4	5	6	7	8	9	10
DATE	03/10/18	31/10/18	12/03/19							
PREPARED	ME	MRB	MRB							
CHECKED		ME								
APPROVED	RP	RP	RP							
CHANGE NOTE		18/071	19/037							



PARTS LIST No.	55 65506 02
Sheet 1 of 2	

TITLE YP5/110 5.5HP Petrol Driven Electric Start				THIS DRAWING IS THE PROPERTY OF Spinaclean Ltd. AND THE COPYRIGHT IS RESERVED BY THEM				No. 55 65506 02 Sheet 2 of 2	
---	--	--	--	--	--	--	--	---------------------------------	--

ITEM	QTY.	DRAWING No.	STOCK CODE No.	DESCRIPTION	COST	REMARKS
31	2		861000158	M10 LOCKNUT		
32						
33						
34	2		536550501	BELTGUARD SPACER INSIDE		
35	5		870600358	M6 LOCK WASHER		
36	4		870800158	M8 PLAIN WASHER		
37	4		870800351	M8 LOCK WASHER		
38	4		871000158	M10 PLAIN WASHER		
39	2		871000358	M10 LOCK WASHER		
40	4		860600258	M6 FULL NUT		
41	1		546549500	BELTGUARD FRONT ASSY		
42	1		815580002	BIRD CAGE H06185-HON-DA160		
43	2		536550400	BELTGUARD FIXING BOLT		
44	0.6		013007800	OIL 10W-40		
45	1		546553801	LOOM ASSY FOR HONDA ENGINE		
46						
47						
48						
49						
50						
51						
52						
53						
54						
55						
56						
57						
58						
59						
60						

ISSUE	1	2	3	4	5	6	7	8	9	10
DATE	03/10/18	31/10/18	12/03/19	12/03/19						
PREPARED	ME	MRB	MRB	MRB						
CHECKED		ME								
APPROVED	RP	RP	RP	RP						
CHANGE NOTE		18/071	19/037	19/039						



home of skyVac™

PARTS LIST No.

55 65506 02

Sheet 2 of 2

TITLE YP5/110 5.5HP Petrol Driven Rope Start				THIS DRAWING IS THE PROPERTY OF Spinaclean Ltd. AND THE COPYRIGHT IS RESERVED BY THEM				No. 55 65506 01 Sheet 1 of 2	
---	--	--	--	--	--	--	--	---------------------------------	--

ITEM	QTY.	DRAWING No.	STOCK CODE No.	DESCRIPTION	COST	REMARKS
1						
2	1		015048158	1/4" BSW HEX HD SCREW		
3	2		018106400	CIRCLIP REF D1500-01		
5	1		018715200	POLY VEE BELT 787 8 rib		
6	3		019103000	1/4" BSW GRUB SCREW		
7	4		013704958	NUT 1/4 BSW		
8						
9	1		535388904	SPACER		
10	2		533571401	SPACING PILLAR		
11	1		546549600	BELTGUARD REAR		
12	0		535708400	ROTATION ARROW		
13	1		536550200	WARNING LABEL		
14						
15	1		536077802	ADJUSTER SCREW BAR		
16	1		536145203	BODY PIN		
17						
18	1		536183107	MOTOR PULLEY 130DIA		
19	1		536549700	MOTOR PLATE		
20	2		536198501	MOUNTING LUG		
21						
22	1		556187106	YP5 EXHAUSTER		
23	1		815580001	Honda GX160 ROPE START		
24	2		818100100	CIRCLIP D1400-01		
25						
26						
27	4		838063058	M8x30LG HEX HD SCREW		
28	2		841060858	M10x 16LG HEX HD SCREW		
29	2		851066858	M10x 70LG HEX HD SCREW		
30	4		860800258	M8 FULL NUT		

ISSUE	1	2	3	4	5	6	7	8	9	10
DATE	03/10/18	31/10/18	12/03/19							
PREPARED	ME	MRB	MRB							
CHECKED		ME								
APPROVED	RP	RP	RP							
CHANGE NOTE		18/071	19/037							



PARTS LIST No.	55 65506 01
Sheet 1 of 2	

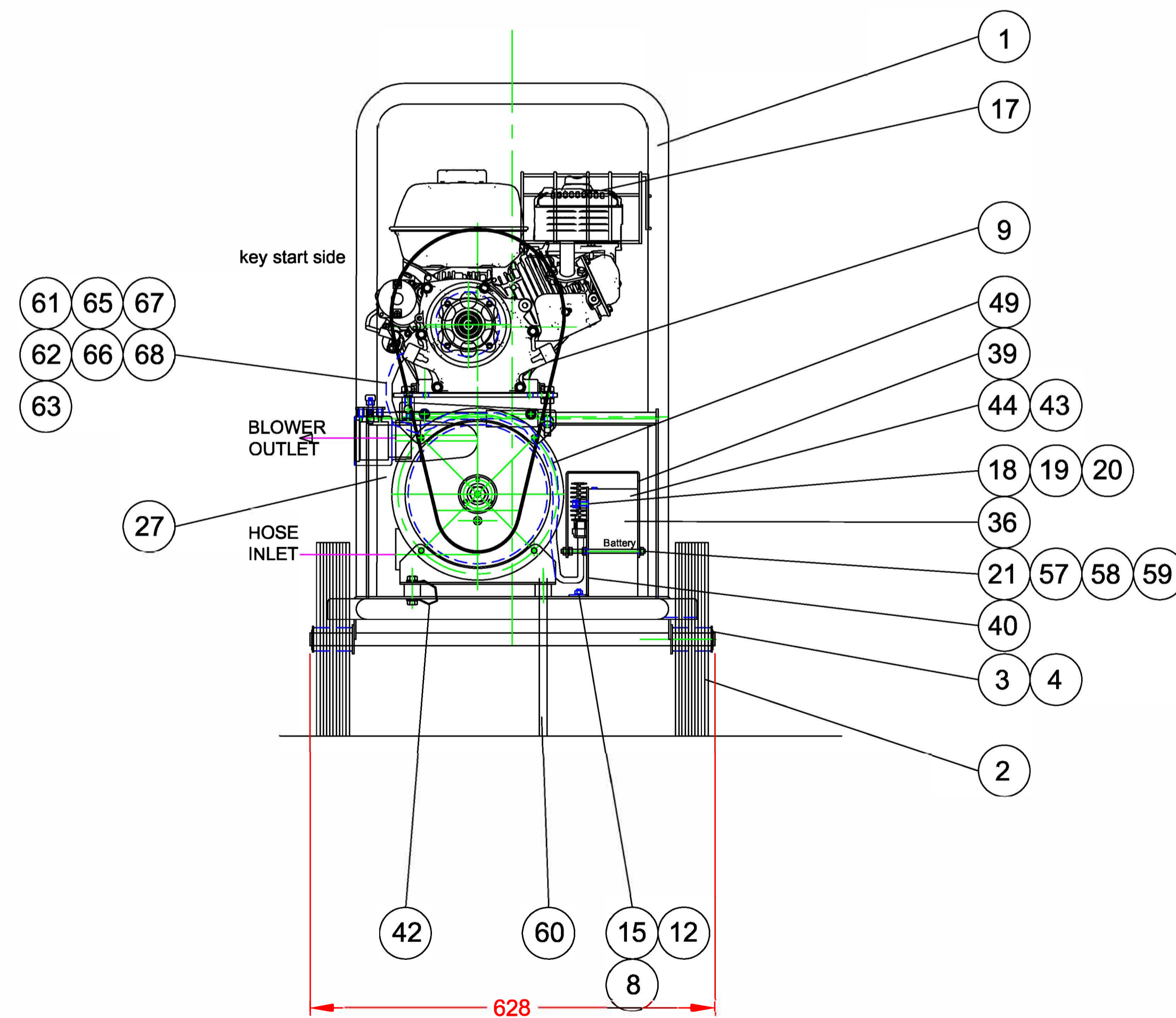
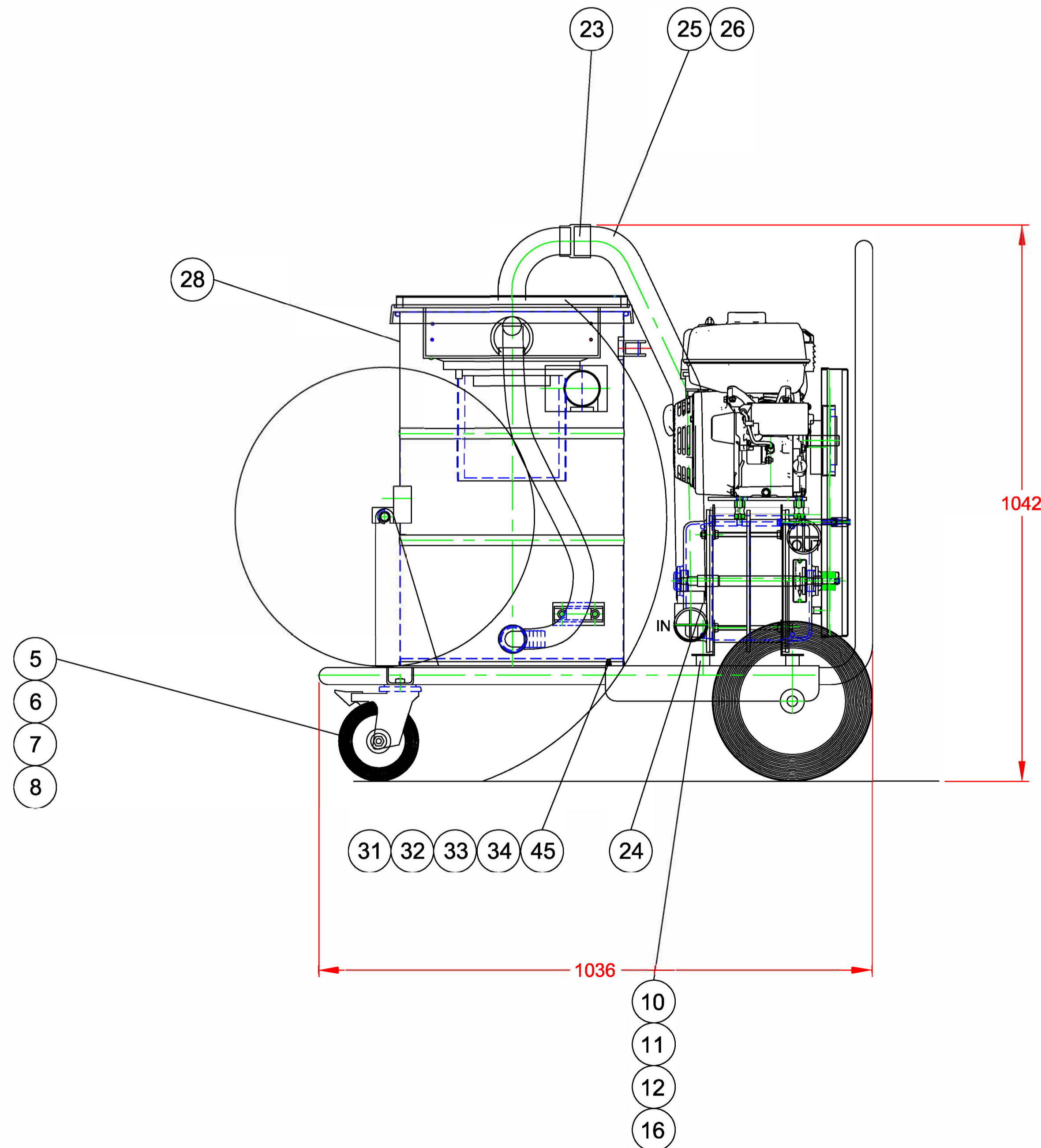
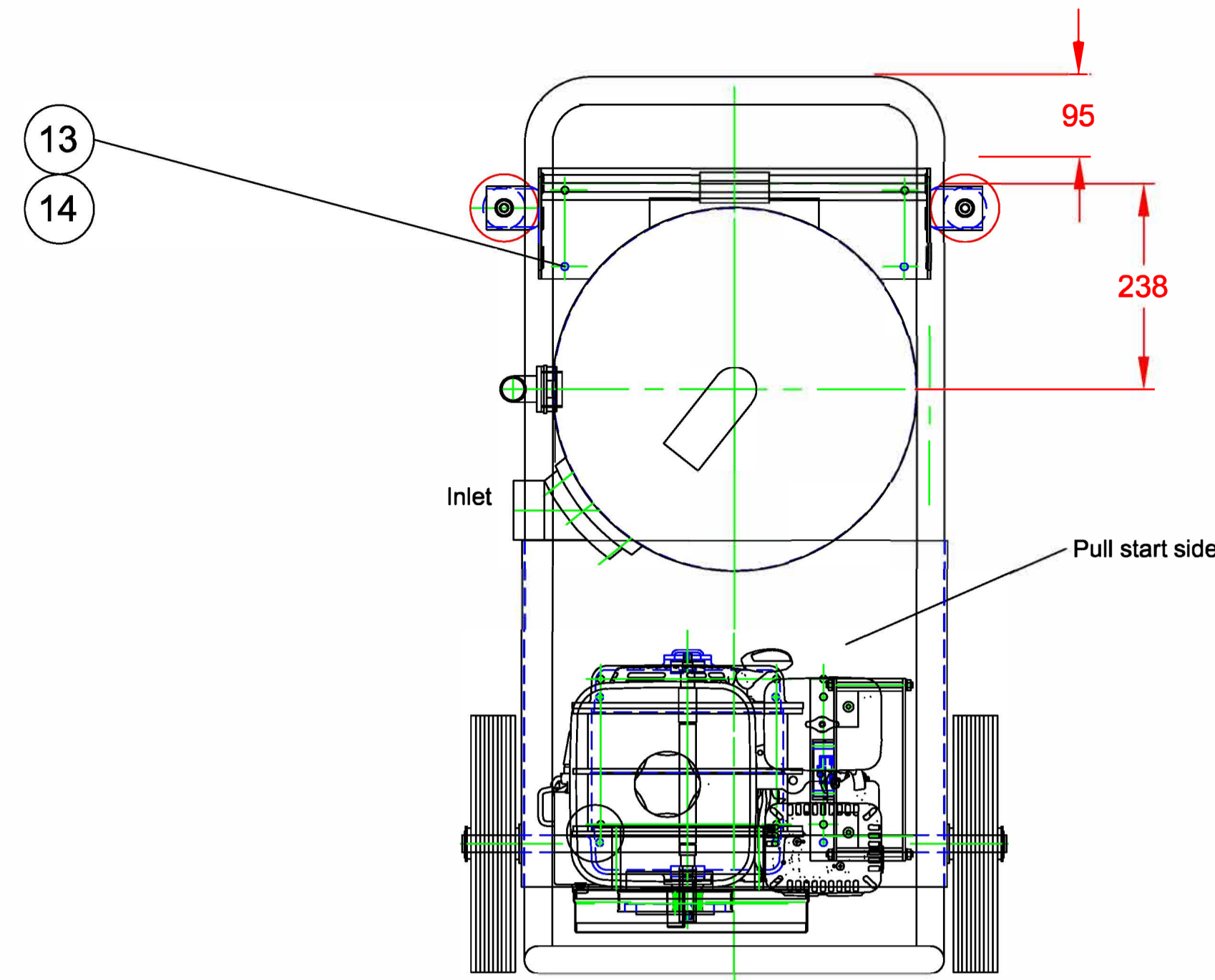
ITEM	QTY.	DRAWING No.	STOCK CODE No.	DESCRIPTION	COST	REMARKS
31	2		861000158	M10 LOCKNUT		
32						
33						
34	2		536550501	BELTGUARD SPACER INSIDE		
35	5		870600358	M6 LOCK WASHER		
36	4		870800158	M8 PLAIN WASHER		
37	4		870800351	M8 LOCK WASHER		
38	4		871000158	M10 PLAIN WASHER		
39	2		871000358	M10 LOCK WASHER		
40	4		860600258	M6 FULL NUT		
41	1		546549500	BELTGUARD FRONT ASSY		
42	1		815580002	BIRD CAGE H06185-HON-DA160		
43	2		536550400	BELTGUARD FIXING BOLT		
44	0.6		013007800	OIL 10W-40		
45						
46						
47						
48						
49						
50						
51						
52						
53						
54						
55						
56						
57						
58						
59						
60						

ISSUE	1	2	3	4	5	6	7	8	9	10
DATE	03/10/18	31/10/18	12/03/19	12/03/19						
PREPARED	ME	MRB	MRB	MRB						
CHECKED		ME								
APPROVED	RP	RP	RP	RP						
CHANGE NOTE		18/071	19/037	19/039						

 <p style="font-size: 24px; margin: 0;">spinaclean Ltd</p> <p style="font-size: 18px; margin: 0;"><i>home of skyVac™</i></p>	<p>PARTS LIST No.</p> <p style="font-size: 24px; margin: 0;">55 65506 01</p> <p>Sheet 2 of 2</p>
--	---

COMMENTS

- 1) New Drawing
- 2) Drum swivel moved back 20mm on frame.
Swivel changed to new removable type
- 3) Items 13, 14, 15, 16, 17, 18, 19, 20, 21, 31, 32, 33, 34, 57, 58, 59, 60, 61, 62, 63, 65, 66, 67, 68 Added
37, 46, 47 Removed
Detail improvements




MATERIAL	FINISH
SEE PARTS LIST	
TOLERANCES	SCALE:
0 ± 1	N.T.S.
0.0 ± 0.5	DIMENSIONS:
0.00 ± 0.15	mm
UNLESS STATED	

PROJECT
SKY VAC

TITLE
FRONT EMPTYING
DRAWING No.
55 65463 00



ISSUE	1	2	3	4	5	6	7	8	9	10
DATE	03/10/18	06/11/18	12/12/18							
PREPARED	ME	MRB	MRB							
CHECKED	MRB	RP	ME							
APPROVED	RJP	RP	RP							
CHANGE NOTE	18/062	18/076	18/088							

TITLE							SKYVAC Petrol Driven Rope Start					THIS DRAWING IS THE PROPERTY OF Spinaclean Ltd. AND THE COPYRIGHT IS RESERVED BY THEM					No. 55 65463 01 Sheet 1 of 2	
ITEM	QTY.	DRAWING No.			STOCK CODE No.		DESCRIPTION					cost	REMARKS					
1	1				53 65493 00		Frame											
2	2				01 93077 00		Wheels											
3	2				87 20001 58		Washers											
4	2				81 81004 00		Circlip											
5	2				01 93078 00		Castors											
6	2				84 12620 58		M12x40 Bolts											
7	2				86 12008 58		M12 Nuts Nyloc											
8	2				87 12001 58		12mm Washers											
9	1				55 65506 01		YP5 Assy Petrol Driven Rope Start											
10	4				01 90305 00		AV mounts											
11	8				86 08002 58		M8 nuts											
12	8				87 08001 58		8mm Washers											
13	4				838062558		M8x25											
14	4				860800858		M8 Nyloc Nut											
15																		
16	6				870800358		M8 Shakeproof Washer											
17	2				835081658		M5x16 Pan											
18																		
19																		
20																		
21	1																	
22	1																	
23	1				29 05100 01		Cuff											
24	1				53 65498 01		Elbow 51 tapered 1 end											
25	1m				53 63109 01		2" hose											
26	1				01 84007 00		clip											
27	1				556551000		BVC-SKYVAC ADAPTOR ASSY											
28	1				546551701		SKYVAC DRUM ASSY											
29																		
30																		
ISSUE	1	2	3	4	5	6	7	8	9	10	 55 65463 01			PARTS LIST No.				
DATE	03/10/18	09/11/18	04/12/18															
PREPARED	ME	MB	MB															
CHECKED		ME	ME															
APPROVED	RP	RP	RP															
CHANGE NOTE	18/062	18/076	18/088											Sheet 1 of 2				

TITLE SKYVAC Petrol Driven Rope Start				THIS DRAWING IS THE PROPERTY OF Spinacelan Ltd. AND THE COPYRIGHT IS RESERVED BY THEM				No. 55 65463 01 Sheet 2 of 2	
--	--	--	--	--	--	--	--	---------------------------------	--

ITEM	QTY.	DRAWING No.	STOCK CODE No.	DESCRIPTION	REMARKS
31	1		834081058	M4x10 Pan Head	
32	1		870400158	M4 Plain Washer	
33	1		870400358	M4 Shakeproof Waher	
34	1		860400258	M4 Nut	
35					
36					
37					
38					
39					
40					
41					
42	1		810111600	EARTH STRAP 140MM	
43					
44					
45	1		019041800	SPRING CONICAL PIGTAIL	RS NUMBER 172-4915
46					
47					
48					
49					
50					
51					
52					
53					
54					
55					
56					
57	1		836061658	M6x16 Hex Head	
58	1		870600958	M6 Plain Washer Large	
59	1		870600358	M6 Shakeproof Washer	
60	1		016728500	Anti Static Strap	Cut to 280mm (11")

ISSUE	1	2	3	4	5	6	7	8	9	10
DATE	03/10/18	09/11/18	04/12/18							
PREPARED	ME	MB	MB							
CHECKED		ME	ME							
APPROVED	RP	RP	RP							
CHANGE NOTE	18/062	18/076	18/088							




home of skyVac™

PARTS LIST No.

55 65463 01

Sheet 2 of 2

TITLE				SKYVAC Petrol Driven Electric Start							THIS DRAWING IS THE PROPERTY OF Spinaclean Ltd. AND THE COPYRIGHT IS RESERVED BY THEM				No. 55 65463 02 Sheet 1 of 3	
ITEM	QTY.	DRAWING No.			STOCK CODE No.			DESCRIPTION				cost	REMARKS			
1	1				53 65493 00											
2	2				01 93077 00											
3	6				872000258											
4	2				018106600											
5	2				01 93078 00											
6	2				84 12620 58											
7	2				86 12008 58											
8	2				87 12001 58											
9	1				55 65506 02											
10	4				01 90305 00											
11	8				86 08002 58											
12	12				87 08001 58											
13	4				838062558											
14	6				860800858											
15	2				838062058											
16	6				870800358											
17	17				835081658											
18	2				928100086											
19	2				860500858											
20	2				870500158											
21	2				840666058											
22																
23	1				29 05100 01											
24	1				53 65498 01											
25	1m				53 63109 01											
26	1				01 84007 00											
27	1				556551000											
28	1				546551701											
29																
30																
ISSUE		1	2	3	4	5	6	7	8	9	10	 PARTS LIST No. 55 65463 02				
DATE		03/10/18	09/11/18	04/12/18												
PREPARED		ME	MB	MB												
CHECKED			ME	ME												
APPROVED		RP	RP	RP												
CHANGE NOTE		18/062	18/076	18/088								Sheet 1 of 3				

TITLE							SKYVAC Petrol Driven Electric Start				THIS DRAWING IS THE PROPERTY OF Spinaclean Ltd. AND THE COPYRIGHT IS RESERVED BY THEM				No. 55 65463 02 Sheet 2 of 3	
ITEM	QTY.	DRAWING No.			STOCK CODE No.		DESCRIPTION				REMARKS					
31	1				834081058		M4 x 10 Pan									
32	1				870400158		M4 Plain Washer									
33	1				870400358		M4 Shakeproof Washer									
34	1				860400258		M4 Nut									
35																
36	1				241000003		12V 20AH C20 PEGASUS BATTERY									
37																
38																
39	1				536551200		BATTERY COVER									
40	1				536551500		BATTERY BRACKET									
41																
42	1				810111600		EARTH STRAP 140MM									
43	1				810111700		EARTH STRAP 250MM									
44	1				556551600		POSITIVE BATTERY LEAD									
45	1				019041800		SPRING CONICAL PIGTAIL				RS NUMBER 172-4915					
46																
47																
48																
49	4				990990405		Cable Tie									
50																
51	8				860600258		M6 Nut									
52	8				870600158		M6 Plain Washer									
53	6				928105562		M6 Spring Washer									
54																
55																
56																
57	1				836061658		M6 x 16 Hex									
58	1				870600958		M6 Plain Washer Large									
59	1				870600358		M6 Shakeproof Washer									
60	1				016728500		Anti Static Strap				Cut to 280mm (11")					
ISSUE	1	2	3	4	5	6	7	8	9	10					PARTS LIST No.	
DATE	03/10/18	09/11/18	04/12/18												55 65463 02	
PREPARED	ME	MB	MB												Sheet 2 of 3	
CHECKED		ME	ME													
APPROVED	RP	RP	RP													
CHANGE NOTE	18/062	18/076	18/088													

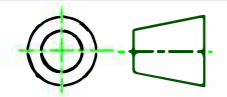
TITLE SKYVAC Petrol Driven Electric Start				THIS DRAWING IS THE PROPERTY OF Spinaclean Ltd. AND THE COPYRIGHT IS RESERVED BY THEM				No. 55 65463 02 Sheet 3 of 3	
--	--	--	--	--	--	--	--	---------------------------------	--

ITEM	QTY.	DRAWING No.	STOCK CODE No.	DESCRIPTION	REMARKS
61	0.56M		810112100	CABLE 1MM2 GREY RS748-2046	
62	0.28M		810112200	CABLE 1MM2 BLACK RS361-715	
63	0.28M		810112300	CABLE 1MM2 WHITE RS748-2064	
64					
65	0.02M		011225200	HEAT SHRINK 19B LK RS481-1826	
66	0.58M		011225400	HEAT SHRINK TUBING 12.7MM 2:1	
67	0.08M		011225500	HEAT SHRINK TUBING 9MM 3:1	
68	0.1M		011225600	HEAT SHRINK TUBING 4.8MM 2:1	
69					
70					
71					
72					
73					
74					
75					
76					
77					
78					
79					
80					
81					
82					
83					
84					
85					
86					
87					
88					
89					
90					

ISSUE	1	2	3	4	5	6	7	8	9	10
DATE	03/10/18	09/11/18	04/12/18							
PREPARED	ME	MB	MB							
CHECKED		ME	ME							
APPROVED	RP	RP	RP							
CHANGE NOTE	18/062	18/076	18/088							

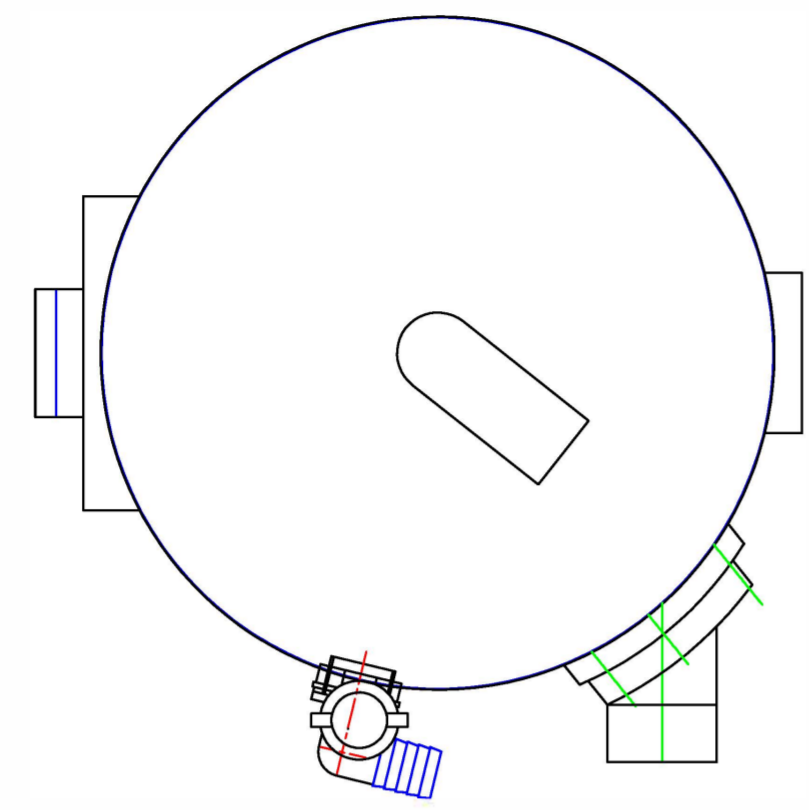
spinaclean Ltd
home of skyVac™

PARTS LIST No.
55 65463 02
Sheet 3 of 3

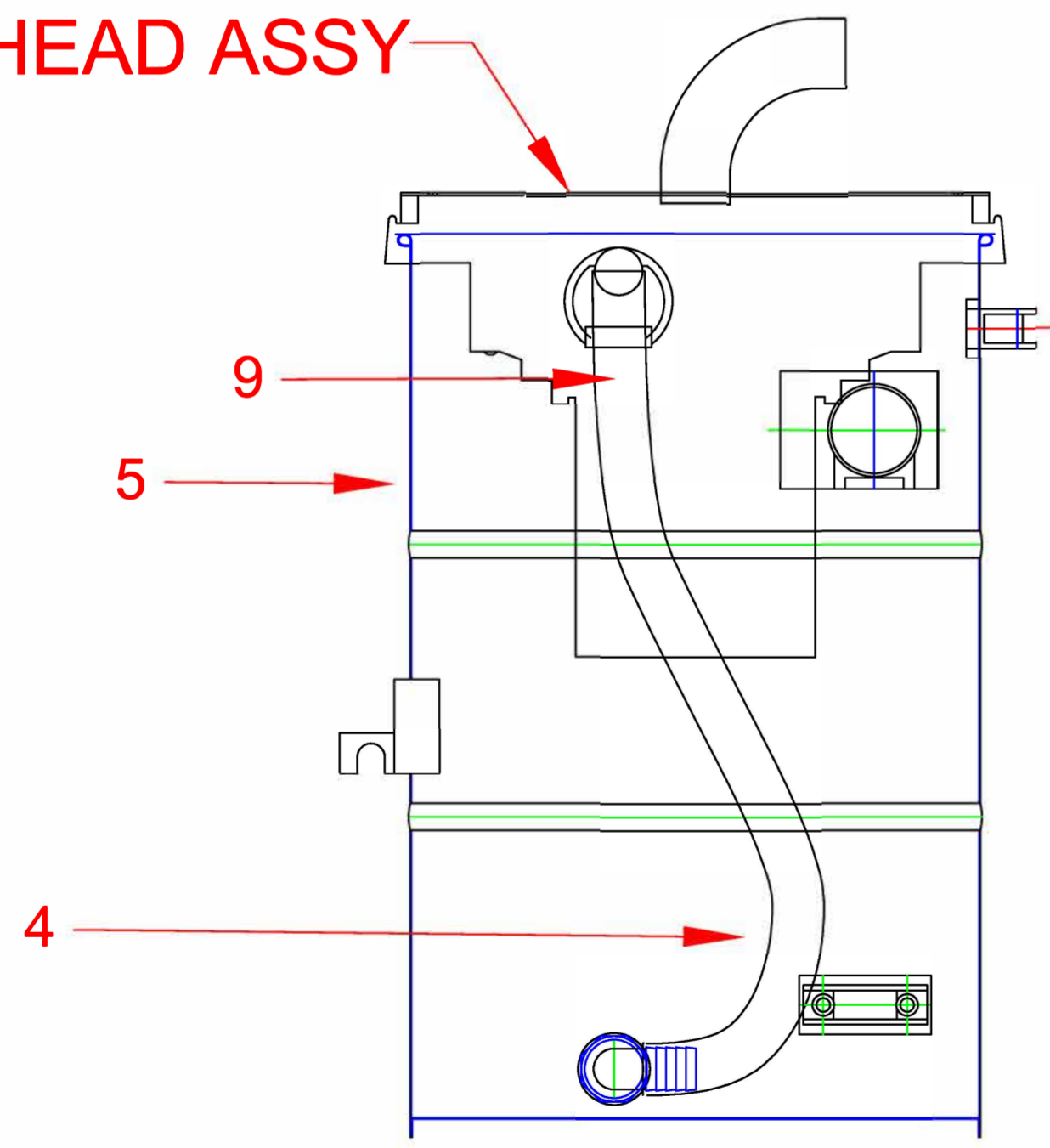


© THIS DRAWING IS THE PROPERTY OF QUIREPACE AND THE COPYRIGHT IS RESERVED BY THEM

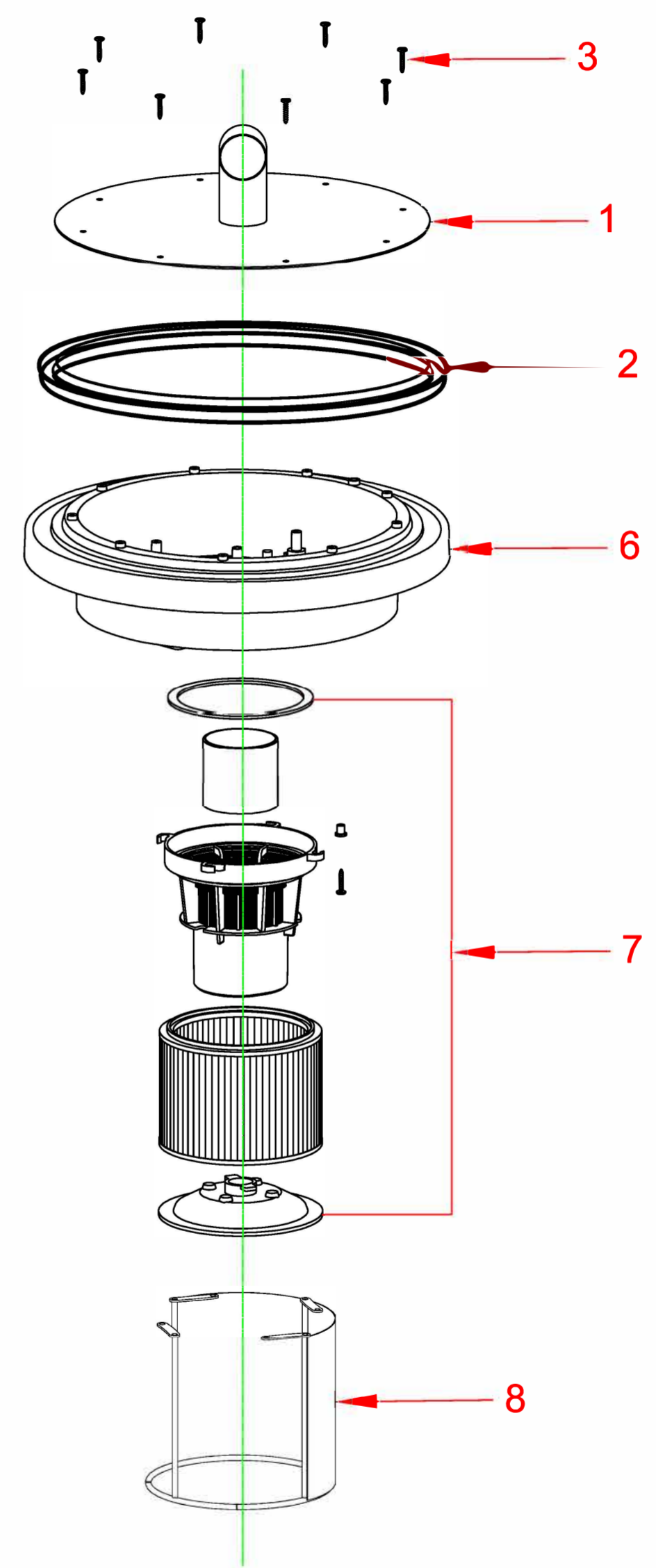
COMMENTS
1) New Drawing
2) Item 9 added



HEAD ASSY



HEAD ASSY EXPLODED



MATERIAL	FINISH

TOLERANCES	SCALE:
0 ±1	N.T.S.
0.0 ±0.5	DIMENSIONS:
0.00 ±0.15 UNLESS STATED	

PROJECT
SKYVAC

TITLE
DRUM ASSY

DRAWING No.
54 65517 00

ISSUE	1	2	3	4	5	6	7	8	9	10
DATE	10/10/18	27/11/18								
PREPARED	MRB	MRB								
CHECKED	GPH	RP								
APPROVED	RP	RP								
CHANGE NOTE	18/062	18/085								



TITLE	Drum Assy	THIS DRAWING IS THE PROPERTY OF Spinaclean Ltd. AND THE COPYRIGHT IS RESERVED BY THEM	No. 65517
This Parts list shall be used in conjunction with a General Assembly drawing which bears the same title, number and issue.			Sheet 1 of 1

ITEM	QTY.	DRAWING No.	STOCK CODE No.	DESCRIPTION	REMARKS
1	1		53 65478 00	st st lid cover with elbow	
2	1.25		016724200	Seal 15x15x1.25m	
3	9		015520858	Screws	
4	1		294521500	Drain Hose kit including the following	
5	1		283087400	DRUM TANK 623 B	
6	1		283087700	3 MOTOR BASE PLATE	
7	1		283087800	Filter FLOAT VALVE assy	
8	1		283087900	METAL FILTER GUARD	
9	1		834081058	M4 x 10 PAN HEAD	
10					
11					
12					
13					
14					
15					
16					
17					
18					
19					
20					
21					
22					
23					
24					
25					
26					
27					
28					
29					
30					

ISSUE	1	2	3	4	5	6	7	8	9	10
DATE	26/09/18	27/11/18								
PREPARED	MRB	MRB								
CHECKED		RP								
APPROVED		RP								
CHANGE NOTE		18/085								



PARTS LIST No.

65517

Sheet 1 of 1