



Spare Parts List

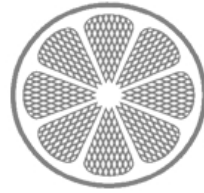
IP Cleaning Srl - Soteco

Ref: ASDO09666

Cust.Ref: INDUSTRIAL 85 240V

Model: VACUUM CLEANER PANDA 440 BASIC F-M NX C/T

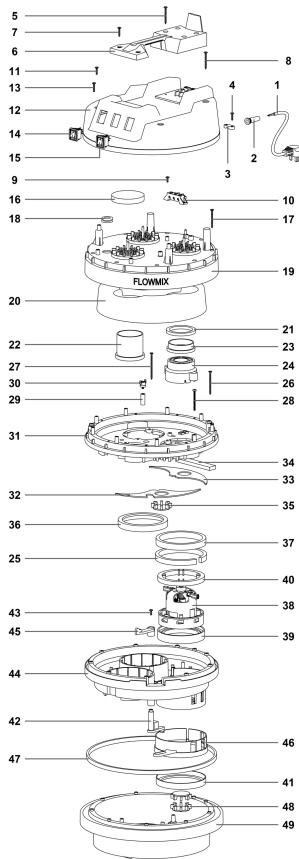
Cust.Model: 3 MOTORS



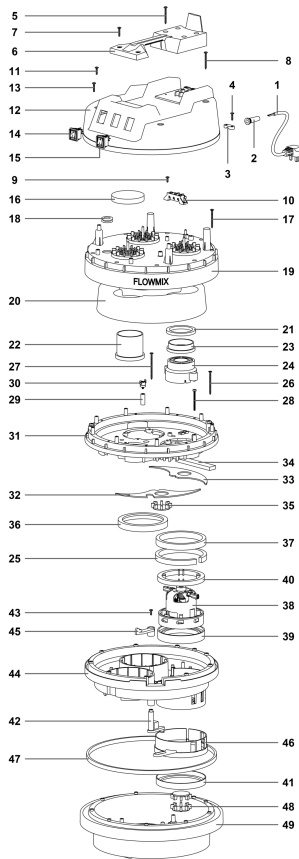
IPC Integrated Professional Cleaning

IPC Soteco

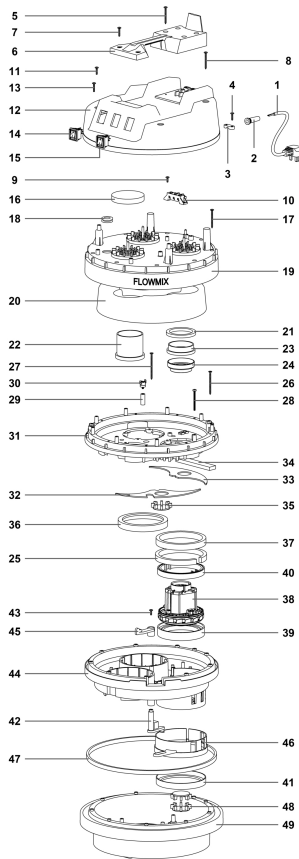
Ref. K	Part N.	Part N. 2	Description	Quantity	Validity		Price
					From	To	
0001	PMTA01846	N/A	HEAD PANDA 440 F-M 240V LB/G6	1,00		19/10/2023	--
0001	PMTA09539	N/A	HEAD PANDA 440 F-M 240V LB/G6	1,00	20/10/2023		--
0002	KTRI05900	N/A	FILTERING KIT 300/500/400/600 POLY H	1,00	23/10/2020		--
0003	LAFN09609	N/A	PROTECTION CARTRIDGE SKYVAC	1,00			--
0004	PMFU00677	SIDE METAL ENTRANCE	INDUSTRIAL DRUM without stickers	1,00		09/12/2020	--
0004	PMFU02883	N/A	TANK 400 B H685 A430 3G B/TANG	1,00	10/12/2020		--
0005	LAFN11455	N/A	SMALL BASKET RACCOGLIFOGLIE FUSTO 400	1,00	15/10/2020		--
0006	CARR01819	COMPLETE TIPPING	TROLLEY FOR INDUSTRIAL (new structure)	1,00	04/05/2016		--
0007	TBFX00820	N/A		1,00		31/01/2021	--
0007	MPVR41815	N/A	COUPLING 99 FOR FLEX HOSE D.58/D.60	1,00	01/02/2021		--



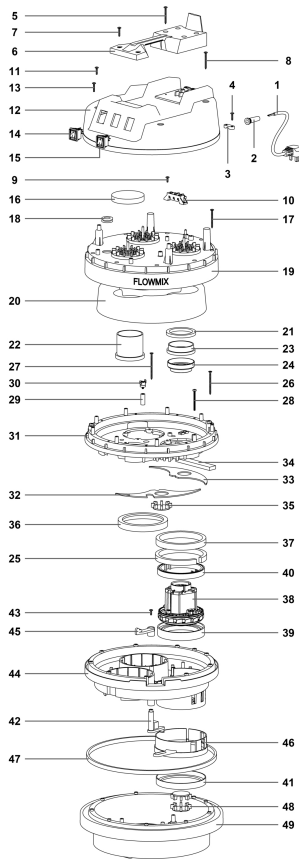
Ref. K	Part N.	Part N. 2	Description	Quantity	Validity		Price
					From	To	
*	MECB01817	N/A	WIRING 50CM MOTOR-TP	3,00		21/08/2023	--
*	MEVR02225	N/A	FASTON COVER FOR ART.01103/C	2,00			--
*	FSVR00127	N/A	CLAMP	3,00			--
*	MECB35712	N/A	WIRE WITH RESISTANCE	1,00			--
*	MECB01594	N/A	CONN.WIRE C.400-RE-FF-FF-S2,5	1,00			--
*	MECB01665	N/A	CONN.WIRE C.DOUBLE-350-BI-FF-FF	1,00			--
*	MECB01661	N/A	CONN.WIRE DOUBLE-350-BI-FF-FF-S1,5	1,00			--
*	MEVR02118	N/A	CONNECTOR FM-FM WITH FASTON COVER	1,00			--
*	MEVR02225	N/A	FASTON COVER FOR ART.01103/C	2,00			--
*	MECB01594	N/A	CONN.WIRE C.400-RE-FF-FF-S2,5	1,00			--
*	MEVR02118	N/A	CONNECTOR FM-FM WITH FASTON COVER	1,00			--
*	MECB01662	N/A	CONN.WIRE C.DOUB.-350-AR-FF-FF-S1,5	1,00			--
*	MECB02382	N/A	MOTOR WIRING 55CM TP DOMEL	3,00	22/08/2023		--
0001	MECB01801	N/A	POWER CORD 2X1,5 MT.8,5 GB	1,00			--
0002	MEVR28673	N/A	FAIRLEAD	1,00			--
0003	MPVR28690	N/A	CABLE CLAMP	1,00			--
0004	VTVT71961	N/A	SCREW PFU TMT PHL 5X20 ZN NERA	2,00			--
0005	VTVT32295	N/A	SCREW PAT TMT PHL 5X50	4,00			--
0006	MPVR10062	N/A	L.BLUE HANDLE PANDA 600	1,00			--
0007	VTVT72055	N/A	SCREW PFU TMT PHL 5X25 ZN BLACK	2,00			--
0008	VTVT32295	N/A	SCREW PAT TMT PHL 5X50	2,00			--
0009	VTVT71960	N/A	SCREW PAT TMT PHL 5X14 ZN	2,00			--
0010	MECB01780	N/A	CLAMP 400-600 2P 1MOT 1,5MMQ RA	1,00			--
0011	VTVT71961	N/A	SCREW PFU TMT PHL 5X20 ZN NERA	2,00			--
0012	PMVR05964	N/A	GREY COVER PANDA 600 3M	1,00			--
0013	VTVT72055	N/A	SCREW PFU TMT PHL 5X25 ZN BLACK	2,00			--
0014	MECI28744	N/A	ANTISPLASH RED LIGHT SWITCHER	2,00			--
0015	MECI72195	N/A	ANTISPLASH SWITCH	1,00			--
0016	FTDP38064	N/A	FILTER MTP/65 H=15 D.95	3,00			--
0017	VTVT40007	N/A	SCREW PAT TMT PHL 5X55 BLACK	9,00			--
0018	MEVR72017	N/A	GUIDING SLIT FOR QUICK COUPLING	1,00			--
0019	MPVR08504	N/A	L.BLUE COVER 600	1,00			--
0020	FTDP00640	N/A	INSULATOR ANTINOISE 400/600 D320X65	1,00		21/08/2023	--
0020	KTRI06585	N/A	KIT FILTRO FONO F-M D320X55+D	1,00	22/08/2023		--
0021	MPVR38371	N/A	WASHER H8 D85X65	3,00			--
0022	MPVR07267	N/A	SPACER SERIES AND PARALLEL H.70	2,00			--
0023	MPVR86282	N/A	RING MOTORE H=7 (15) PLAST.	2,00			--
0024	MPVR08115	N/A	CAP /ADAPTER F/MOT.BYPASS AU	3,00			--
0025	ITSO00094	N/A	INSULATOR ANTI-NOISE 440X15X10	1,00			--
0026	VTVT01215	N/A	SCREW CROSS TS 5X70	12,00			--
0027	VTVT01255	N/A	SCREW CROSS TS 5X80 ZN.	1,00			--
0028	VTVT01243	N/A	SCREW CROSS TC M 5X60 UNI 7687	1,00			--
0029	MEVR41831	N/A	THERM. PROBE	1,00			--
0030	METK41830	N/A	THERMOREGULATOR T MAX 85 C	1,00			--



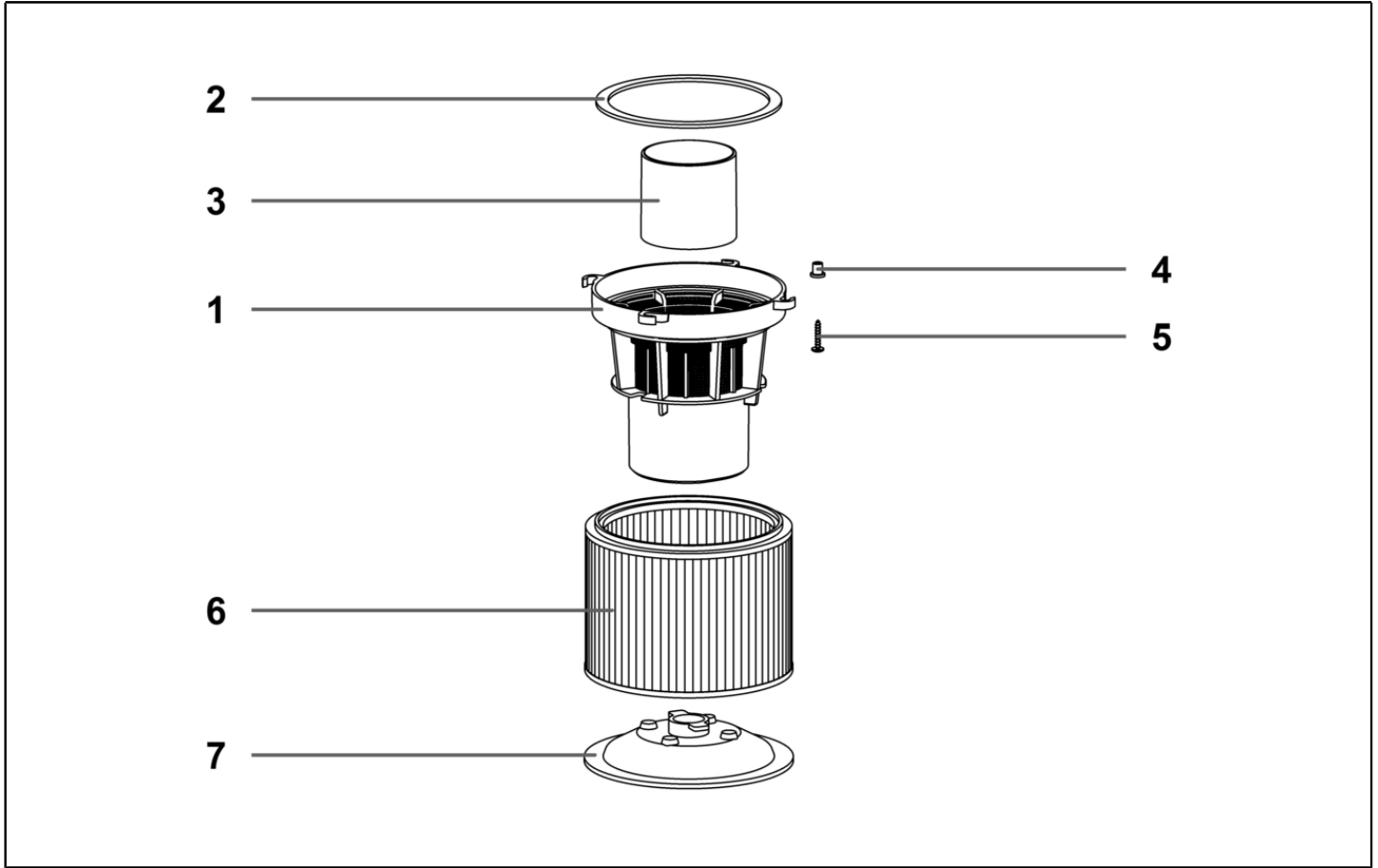
Ref. K	Part N.	Part N. 2	Description	Quantity	Validity		Price
					From	To	
0031	MPVR08328	N/A	MOTOR SUPPORT HS 600 GREY 6000	1,00			--
0032	MPVR07274	N/A	MUFFLER DEVICE ON LEVER SIDE	1,00			--
0033	MPVR07275	N/A	MUFFLER DEVICE	2,00			--
0034	ITSO00093	N/A	INSULATOR ANTI-NOISE 140X25X10	3,00			--
0035	MPVR28748	N/A	AUTOMATIC VALVE	3,00			--
0036	GUGO28683	N/A	"L" GASKET W/O HOLES H=5,5	2,00			--
0037	ITSO00095	N/A	INSULAT.FILTER AU 146X126X18 PPI45	1,00			--
0038	MOMO00402	N/A	MOTOR BS282 WL 1000W 220-240	3,00			--
0039	GUVR00412	N/A	"L" GASKET D.130 H=13	3,00			--
0040	GUVR00413	N/A	"C" GASKET D.130	3,00			--
0041	GUGO28683	N/A	"L" GASKET W/O HOLES H=5,5	1,00			--
0042	MPVR07262	N/A	LEVER LEVER FOR GATE VALVE	1,00			--
0043	VTVT71960	N/A	SCREW PAT TMT PHL 5X14 ZN	1,00			--
0044	MPVR08178	N/A	MOTOR FASTENER FLOW MIX 3 MOT G6	1,00		22/10/2020	--
0044	MPVR11882	N/A	MOTOR FASTENER FLOW MIX 3 MOT G6 AU	1,00	23/10/2020		--
0045	MPVR07264	N/A	COMPOUND LEVER FOR GATE VALVE	1,00			--
0046	MPVR07261	N/A	GATE VALVE	1,00			--
0047	GUVR00427	N/A	GASKET 6X12 DIA 380	1,00			--
0048	MPVR28748	N/A	AUTOMATIC VALVE	4,00			--
0049	MPVR02262	N/A	BASE 600/400 W/GASK.W/PLATE GR6	1,00		22/10/2020	--
0049	MPVR12324	N/A	BASE 600/400 C/PIA G6 COMP H	1,00	23/10/2020		--



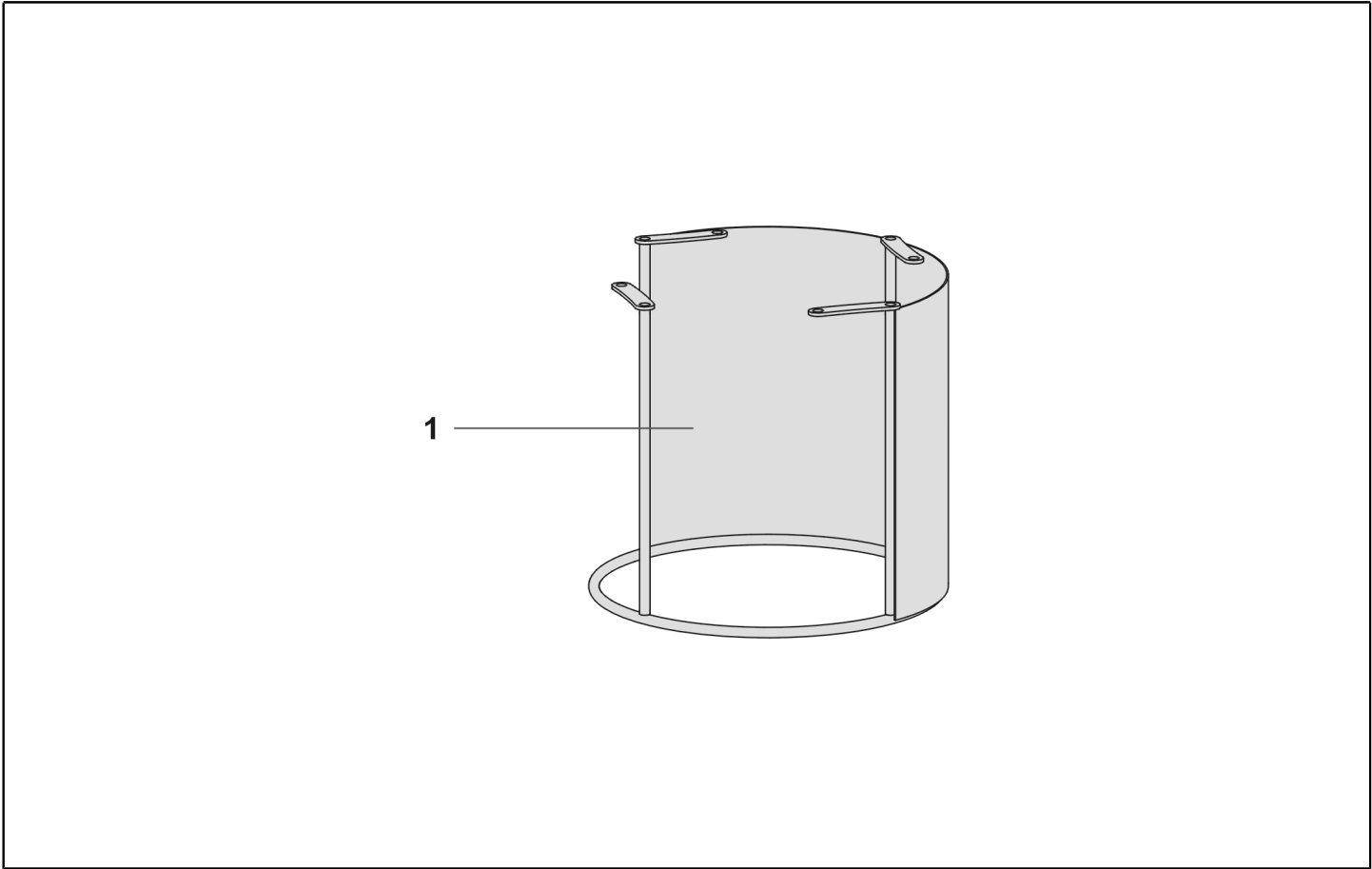
Ref. K	Part N.	Part N. 2	Description	Quantity	Validity		Price
					From	To	
*	MECB02382	N/A	MOTOR WIRING 55CM TP DOMEL	3,00			--
*	MEVR02225	N/A	FASTON COVER FOR ART.01103/C	2,00			--
*	FSVR00127	N/A	CLAMP	3,00			--
*	MECB35712	N/A	WIRE WITH RESISTANCE	1,00			--
*	MECB01594	N/A	CONN.WIRE C.400-RE-FF-FF-S2,5	1,00			--
*	MECB01665	N/A	CONN.WIRE C.DOUBLE-350-BI-FF-FF	1,00			--
*	MECB01661	N/A	CONN.WIRE DOUBLE-350-BI-FF-FF-S1,5	1,00			--
*	MEVR02118	N/A	CONNECTOR FM-FM WITH FASTON COVER	1,00			--
*	MECB01594	N/A	CONN.WIRE C.400-RE-FF-FF-S2,5	1,00			--
*	MEVR02118	N/A	CONNECTOR FM-FM WITH FASTON COVER	1,00			--
*	MECB01662	N/A	CONN.WIRE C.DOUB.-350-AR-FF-FF-S1,5	1,00			--
0001	MECB01809	N/A	POWER CORD 2X1,5 MT.12 GB	1,00			--
0002	MEVR28673	N/A	FAIRLEAD	1,00			--
0003	MPVR28690	N/A	CABLE CLAMP	1,00			--
0004	VTVT71961	N/A	SCREW PFU TMT PHL 5X20 ZN NERA	2,00			--
0005	VTVT32295	N/A	SCREW PAT TMT PHL 5X50	4,00			--
0006	MPVR10062	N/A	L.BLUE HANDLE PANDA 600	1,00			--
0007	VTVT72055	N/A	SCREW PFU TMT PHL 5X25 ZN BLACK	2,00			--
0008	VTVT32295	N/A	SCREW PAT TMT PHL 5X50	2,00			--
0009	VTVT71960	N/A	SCREW PAT TMT PHL 5X14 ZN	2,00			--
0010	MECB01780	N/A	CLAMP 400-600 2P 1MOT 1,5MMQ RA	1,00			--
0011	VTVT71961	N/A	SCREW PFU TMT PHL 5X20 ZN NERA	2,00			--
0012	PMVR05964	N/A	GREY COVER PANDA 600 3M	1,00			--
0013	VTVT72055	N/A	SCREW PFU TMT PHL 5X25 ZN BLACK	2,00			--
0014	MECI28744	N/A	ANTISPLASH RED LIGHT SWITCHER	2,00			--
0015	MECI2195	N/A	ANTISPLASH SWITCH	1,00			--
0016	FTDP38064	N/A	FILTER MTP/65 H=15 D.95	3,00			--
0017	VTVT40007	N/A	SCREW PAT TMT PHL 5X55 BLACK	9,00			--
0018	MEVR72017	N/A	GUIDING SLIT FOR QUICK COUPLING	1,00			--
0019	MPVR08504	N/A	L.BLUE COVER 600	1,00			--
0020	KTRI06585	N/A	KIT FILTRO FONO F-M D320X55+D	1,00			--
0021	MPVR38371	N/A	WASHER H8 D85X65	3,00			--
0022	MPVR07267	N/A	SPACER SERIES AND PARALLEL H.70	2,00			--
0023	MPVR86282	N/A	RING MOTORE H=7 (15) PLAST.	1,00			--
0024	MPVR13516	N/A	RING MOTORE H=26 DOMEL	3,00			--
0025	ITSO00094	N/A	INSULATOR ANTI-NOISE 440X15X10	1,00			--
0026	VTVT01215	N/A	SCREW CROSS TS 5X70	12,00			--
0027	VTVT01255	N/A	SCREW CROSS TS 5X80 ZN.	1,00			--
0028	VTVT01243	N/A	SCREW CROSS TC M 5X60 UNI 7687	1,00			--
0029	MEVR41831	N/A	THERM. PROBE	1,00			--
0030	METK41830	N/A	THERMOREGULATOR T MAX 85 C	1,00			--
0031	MPVR08328	N/A	MOTOR SUPPORT HS 600 GREY 6000	1,00			--
0032	MPVR07274	N/A	MUFFLER DEVICE ON LEVER SIDE	1,00			--
0033	MPVR07275	N/A	MUFFLER DEVICE	2,00			--



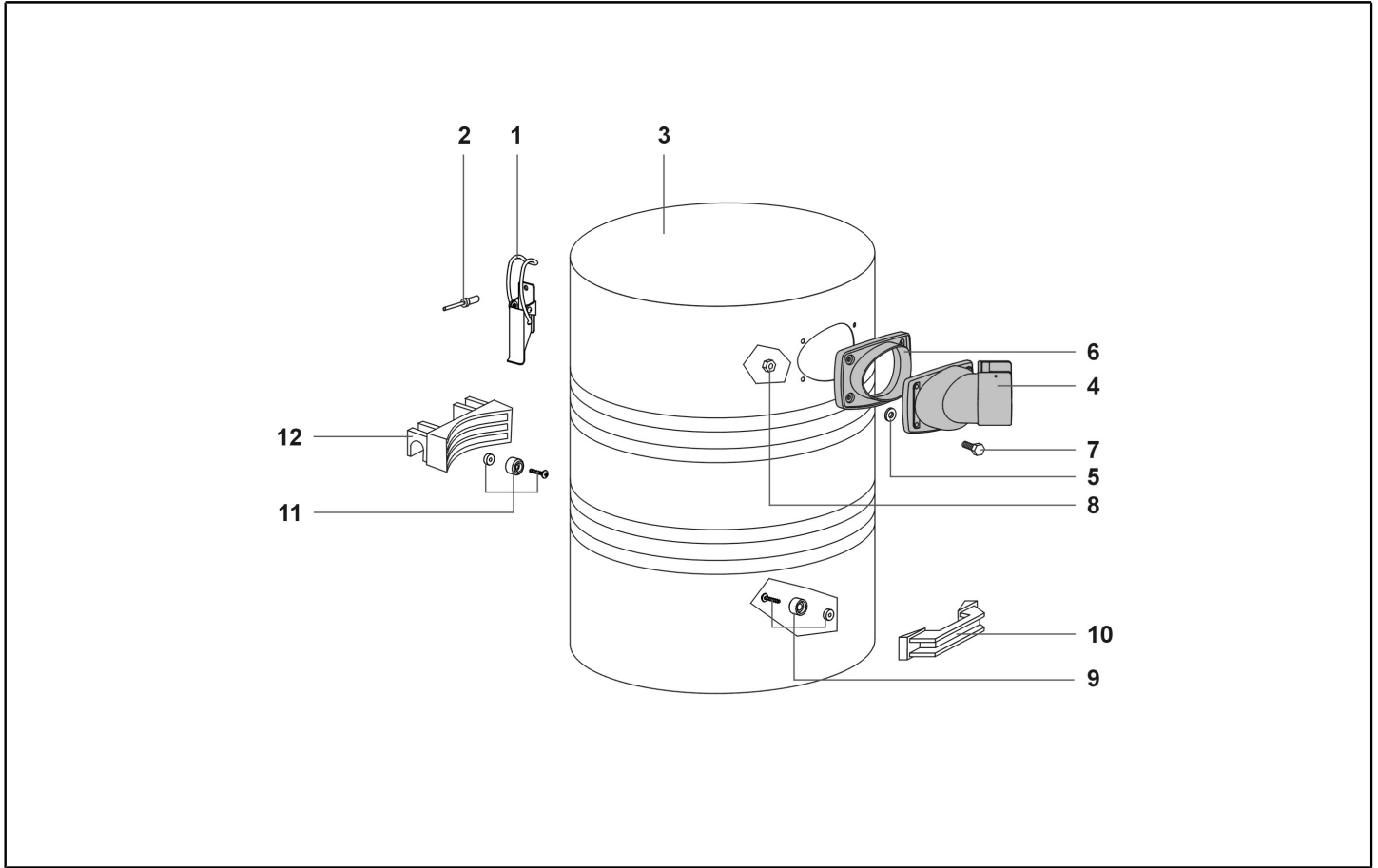
Ref. K	Part N.	Part N. 2	Description	Quantity	Validity		Price
					From	To	
0034	ITSO00093	N/A	INSULATOR ANTI-NOISE 140X25X10	3,00			--
0035	MPVR28748	N/A	AUTOMATIC VALVE	3,00			--
0036	GUGO28683	N/A	"L" GASKET W/O HOLES H=5,5	2,00			--
0037	ITSO00095	N/A	INSULAT.FILTER AU 146X126X18 PPI45	1,00			--
0038	MOMO01030	N/A	MOTOR BS2D 1000W 220-240V 50/60	3,00			--
0039	GUVR00412	N/A	"L" GASKET D.130 H=13	3,00			--
0040	GUVR00630	N/A	"C" GASKET D.130	3,00			--
0041	GUGO28683	N/A	"L" GASKET W/O HOLES H=5,5	1,00			--
0042	MPVR07262	N/A	LEVER LEVER FOR GATE VALVE	1,00			--
0043	VTVT71960	N/A	SCREW PAT TMT PHL 5X14 ZN	1,00			--
0044	MPVR11882	N/A	MOTOR FASTENER FLOW MIX 3 MOT G6 AU	1,00			--
0045	MPVR07264	N/A	COMPOUND LEVER FOR GATE VALVE	1,00			--
0046	MPVR07261	N/A	GATE VALVE	1,00			--
0047	GUVR00427	N/A	GASKET 6X12 DIA 380	1,00			--
0048	MPVR28748	N/A	AUTOMATIC VALVE	4,00			--
0049	MPVR12324	N/A	BASE 600/400 C/PIA G6 COMP H	1,00			--



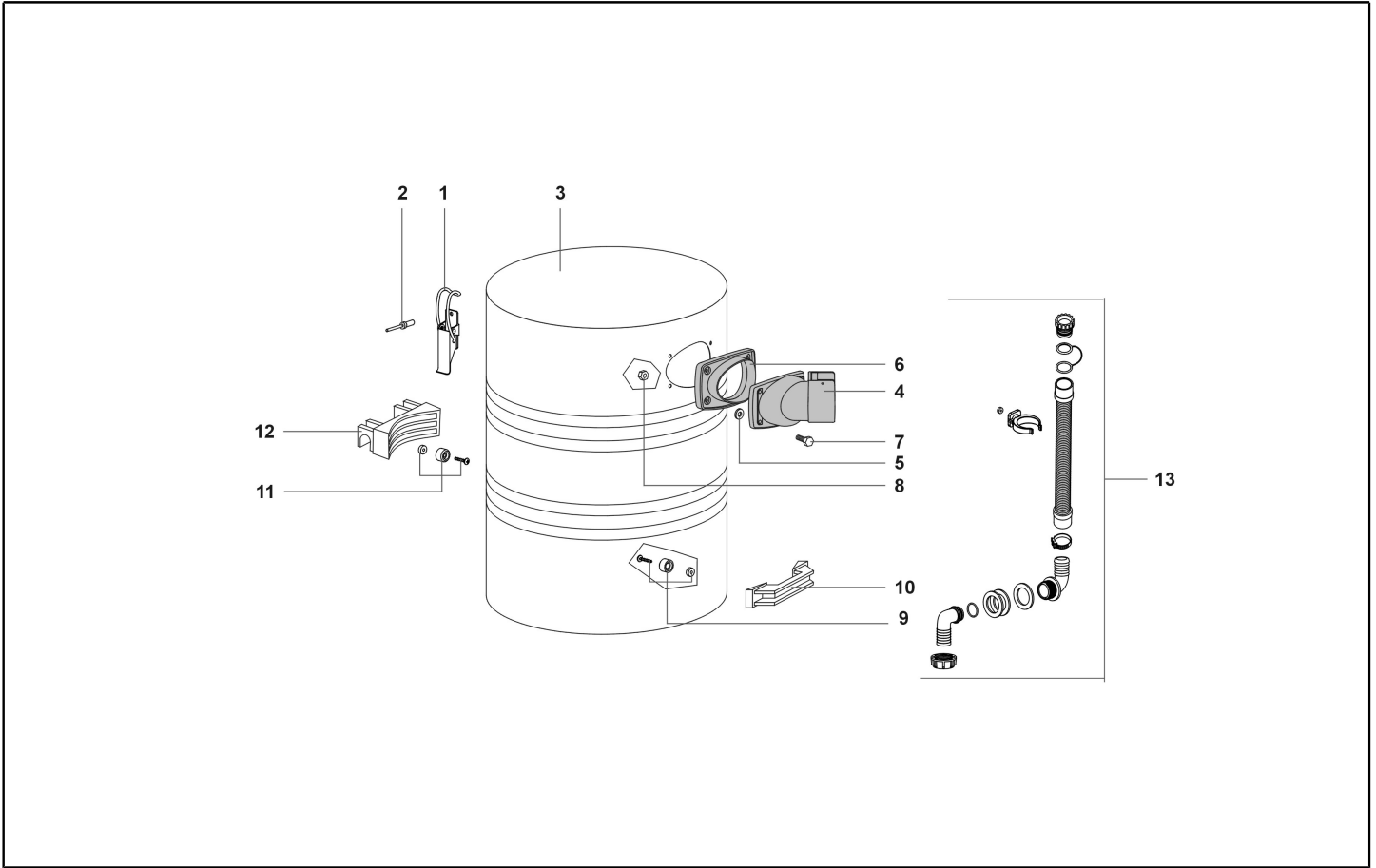
Ref. K	Part N.	Part N. 2	Description	Quantity	Validity		Price
					From	To	
0001	MPVR40521	N/A	NET ANTIFOAM BODY HIGH	1,00			--
0002	GUVR00583	N/A	GASKET AUTOADESIVA 157x127x3 MM	1,00			--
0003	RCGR40008	N/A	HIGH FLOAT 99 W/GASKET 37 SHA	1,00			--
0004	MPVR35796	N/A	BUSHING PLASTIC SLEEVE D.8	4,00			--
0005	VTVT36751	N/A	SCREW SCREW PAT TMT PHL 5X25	4,00			--
0006	FTDP44260	N/A	POLYESTER CARTRIDGE 175X145X163	1,00		17/03/2022	--
0006	FTDP00583	N/A	CARTRIDGE POLY 175X145X164 C/F	1,00	18/03/2022		--
0007	MPVR28723	N/A	COMPL.RING FOR FILTER	1,00			--



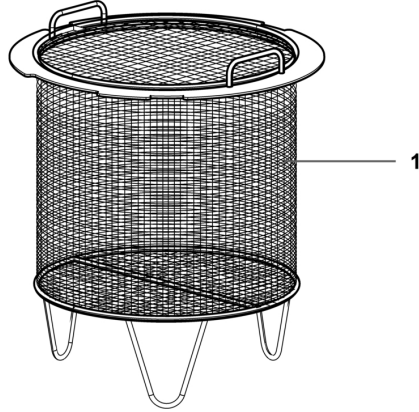
Ref. K	Part N.	Part N. 2	Description	Quantity	Validity		Price
					From	To	
0001	LAFN09609	N/A	PROTECTION CARTRIDGE SKYVAC	1,00			--
0001	LAFN09609	N/A	PROTECTION CARTRIDGE SKYVAC	1,00			--



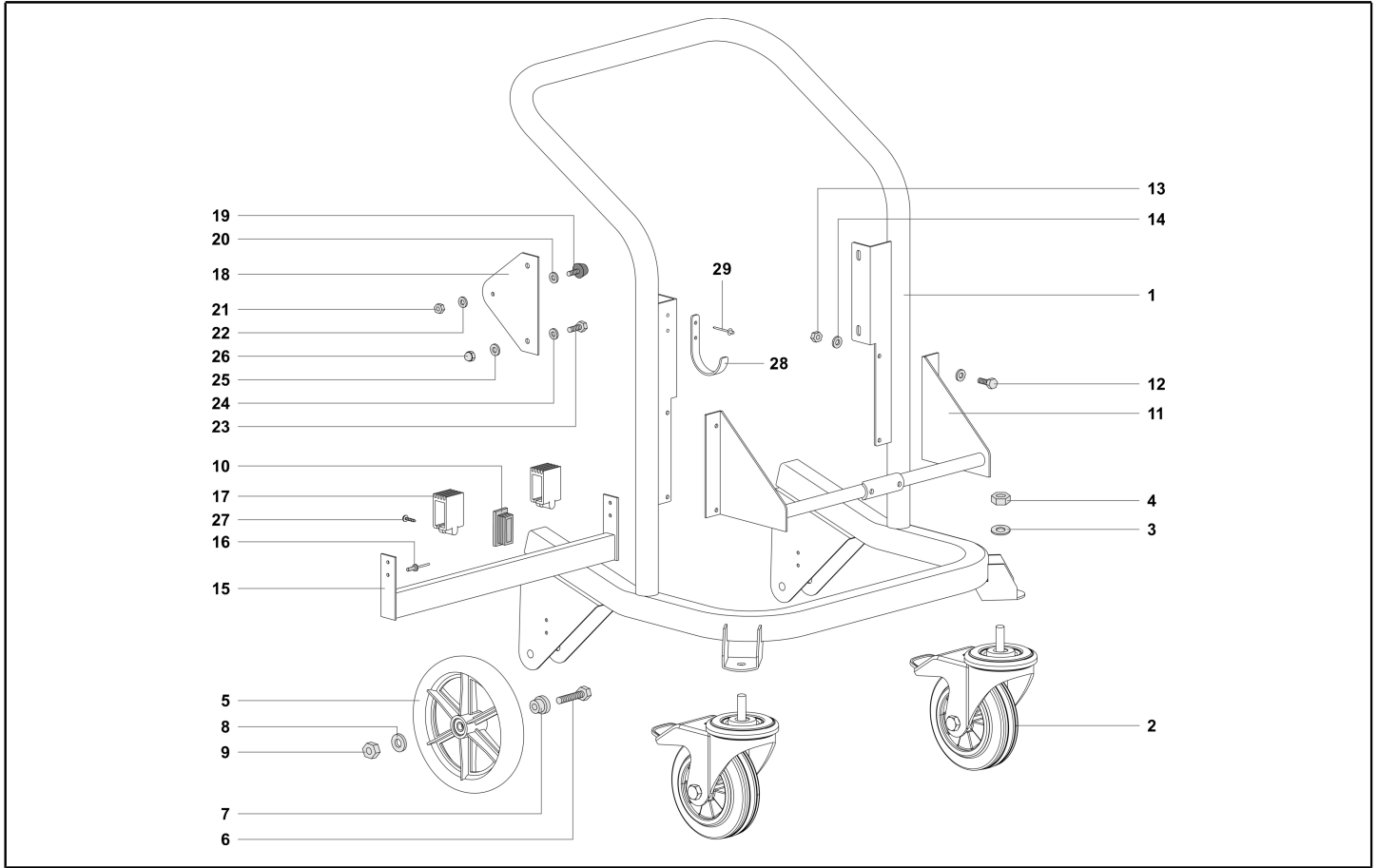
Ref. K	Part N.	Part N. 2	Description	Quantity	Validity		Price
					From	To	
0001	CHVR40000	N/A	UNIVERSAL METAL HOOK	3,00			--
0002	VTVR71991	N/A	RIVET 5X11	6,00			--
0003	LAFN09901	N/A	TANK 400 BASC.H=685 SP08 A430	1,00			--
0004	MFVR00281	N/A	PIPE UNION D60 TANG. ALL. COMP.	1,00			--
0005	VTRS00447	N/A	WASHER PVC 60SH D13.5X4.5 H=3	4,00			--
0006	MPVR07323	N/A	GASKET BOCCH. TANGENZIALE R205	1,00			--
0007	VTVT01286	N/A	SCREW TE M 5X25 UNI5739 Z.B.	4,00			--
0008	VTDD71969	N/A	NUT NUT M 5	4,00			--
0009	RIGE00015	N/A	COMPLETE SEAL W/SCREW L=25	2,00			--
0010	MPVR09429	N/A	HANDLE GREY 6000	1,00			--
0011	RIGE00015	N/A	COMPLETE SEAL W/SCREW L=25	4,00			--
0012	MPVR06993	N/A	HINGE GROUP BASC COMP	1,00		22/09/2023	--
0012	PMVR07024	N/A	HINGE GROUP BASC. COMP. RINF	1,00	25/09/2023		--



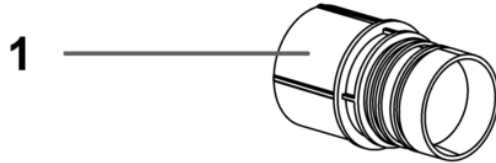
Ref. K	Part N.	Part N. 2	Description	Quantity	Validity		Price
					From	To	
0001	CHVR40000	N/A	UNIVERSAL METAL HOOK	3,00			--
0002	VTVR71991	N/A	RIVET 5X11	6,00			--
0003	LAFN11621	N/A	ST.STEEL DRUM 400 BASC.H=685 3G T C/SC	1,00			--
0004	MFVR00281	N/A	PIPE UNION D60 TANG. ALL. COMP.	1,00			--
0005	VTRS00447	N/A	WASHER PVC 60SH D13.5X4.5 H=3	4,00			--
0006	MPVR07323	N/A	GASKET BOCCH. TANGENZIALE R205	1,00			--
0007	VTVT01286	N/A	SCREW TE M 5X25 UNI5739 Z.B.	4,00			--
0008	VTDD71969	N/A	NUT NUT M 5	4,00			--
0009	RIGE00015	N/A	COMPLETE SEAL W/SCREW L=25	2,00			--
0010	MPVR09429	N/A	HANDLE GREY 6000	1,00			--
0011	RIGE00015	N/A	COMPLETE SEAL W/SCREW L=25	4,00			--
0012	MPVR06993	N/A	HINGE GROUP BASC COMP	1,00		12/05/2023	--
0012	PMVR07024	N/A	HINGE GROUP BASC. COMP. RINF	1,00	15/05/2023		--
0013	KTRI05298	N/A	DEVICE SCARICO D.34 X FUSTO BASC	1,00			--



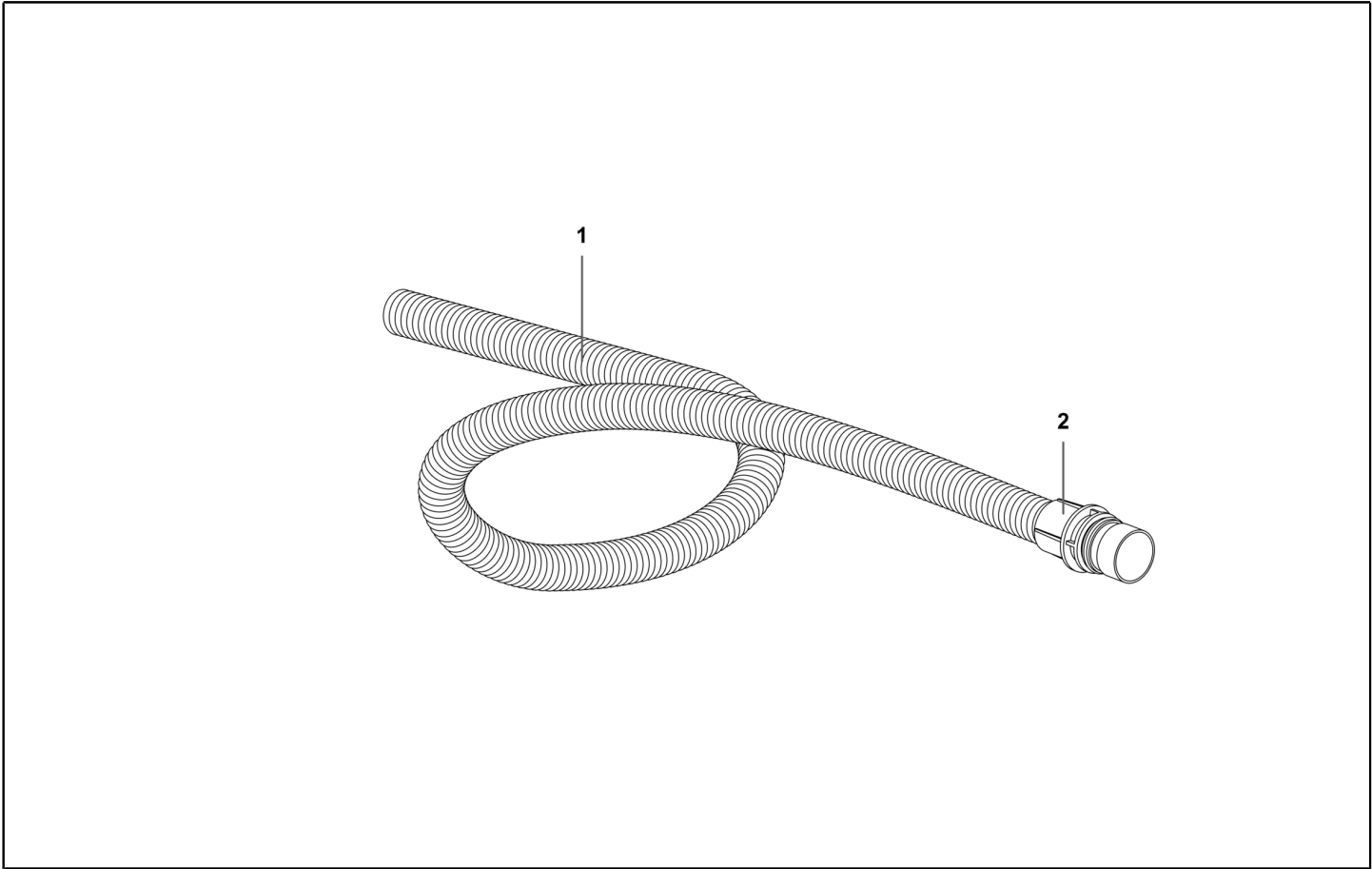
Ref. K	Part N.	Part N. 2	Description	Quantity	Validity		Price
					From	To	
0001	LAFN11455	N/A	SMALL BASKET RACCOGLIFOGLIE FUSTO 400	1,00			--
0001	LAFN11455	N/A	SMALL BASKET RACCOGLIFOGLIE FUSTO 400	1,00			--



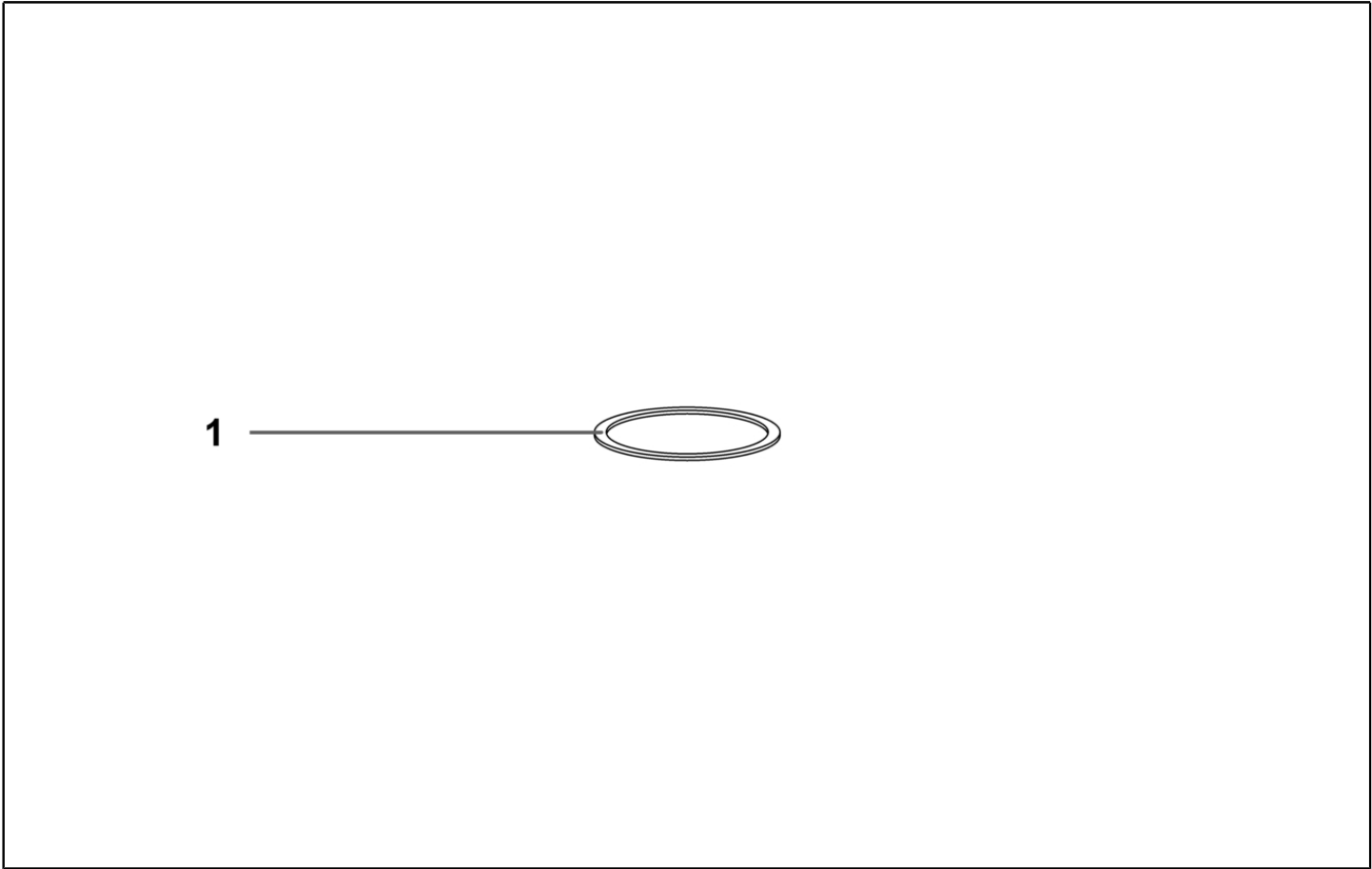
Ref. K	Part N.	Part N. 2	Description	Quantity	Validity		Price
					From	To	
0001	LAFN11453	N/A	FRAME OPTIM 600 SMALL VERNIC.	1,00			--
0002	RTRT00455	N/A	WHEEL DIA.150 M12X35	2,00			--
0003	VTRS00394	N/A	WASHER M 12 UNI 6592	2,00			--
0004	VTDD72060	N/A	LOW SELF-LOCKING NUT M 12	2,00			--
0005	RTRT00480	N/A	WHEEL PU DIA.245X50	2,00			--
0006	VTVT01414	N/A	SCREW TE M12X75 UNI 5737 8.8 Z	2,00			--
0007	PVVR00381	N/A	SPACER RUOTA D.245 OPT SMALL	2,00			--
0008	VTRS00394	N/A	WASHER M 12 UNI 6592	4,00			--
0009	VTDD72060	N/A	LOW SELF-LOCKING NUT M 12	2,00			--
0010	MPVR06895	N/A	PLASTIC TOP 40X40	2,00			--
0011	LAFN11451	N/A	HINGE AXIS VERNICIATO	1,00			--
0012	VTVT01019	N/A	SCREW TE M 6X16 UNI 5739	4,00			--
0013	VTDD00222	N/A	NUT M 6 UNI 5588	4,00			--
0014	VTRS00400	N/A	WASHER M 6 UNI 6592	8,00			--
0015	LAFN11454	N/A	CARRYNG BAG FUSTO BASC. OPTIM SMALL V	1,00			--
0016	VTVR00395	N/A	RIVET 4,8X15 INOX	4,00			--
0017	MPVR06691	N/A	FOOT TIPPING BEARING	2,00			--
0018	LAFN11452	N/A	PLATE PIEDINO VERNICIATA	2,00			--
0019	ABGO00062	N/A	BUMPER H=17 M6X15	2,00			--
0020	VTRS00389	N/A	CRICKET M 6X18X1,5 UNI 6593	2,00			--
0021	VTDD00230	N/A	SELF-LOCJ.NUT M 6 SMALL UNI 7474	2,00			--
0022	VTRS00400	N/A	WASHER M 6 UNI 6592	2,00			--
0023	VTVT01392	N/A	SCREW TBEI 8X16 UNI 7380 INOX	4,00			--
0024	VTVR71963	N/A	WASHER 8X24	4,00			--
0025	VTRS00396	N/A	WASHER M 8 UNI 6592	4,00			--
0026	VTDD00214	N/A	NUT M 8 UNI 5721	4,00			--
0027	VTVT72055	N/A	SCREW PFU TMT PHL 5X25 ZN BLACK	2,00			--
0028	LAFN08384	N/A	HOOK CABLE HOLDER TRIFASE	1,00	04/08/2023		--
0029	VTVR00396	N/A	RIVET 4,8X17 BLACK	2,00	04/08/2023	22/09/2023	--
0029	VTVR00395	N/A	RIVET 4,8X15 INOX	2,00	25/09/2023		--



Ref. K	Part N.	Part N. 2	Description	Quantity	Validity		Price
					From	To	
0001	MPVR41815	N/A	COUPLING 99 FOR FLEX HOSE D.58/D.60	1,00			--
0001	MPVR41815	N/A	COUPLING 99 FOR FLEX HOSE D.58/D.60	1,00			--
0001	MPVR41815	N/A	COUPLING 99 FOR FLEX HOSE D.58/D.60	1,00			--
0001	MPVR41815	N/A	COUPLING 99 FOR FLEX HOSE D.58/D.60	1,00			--



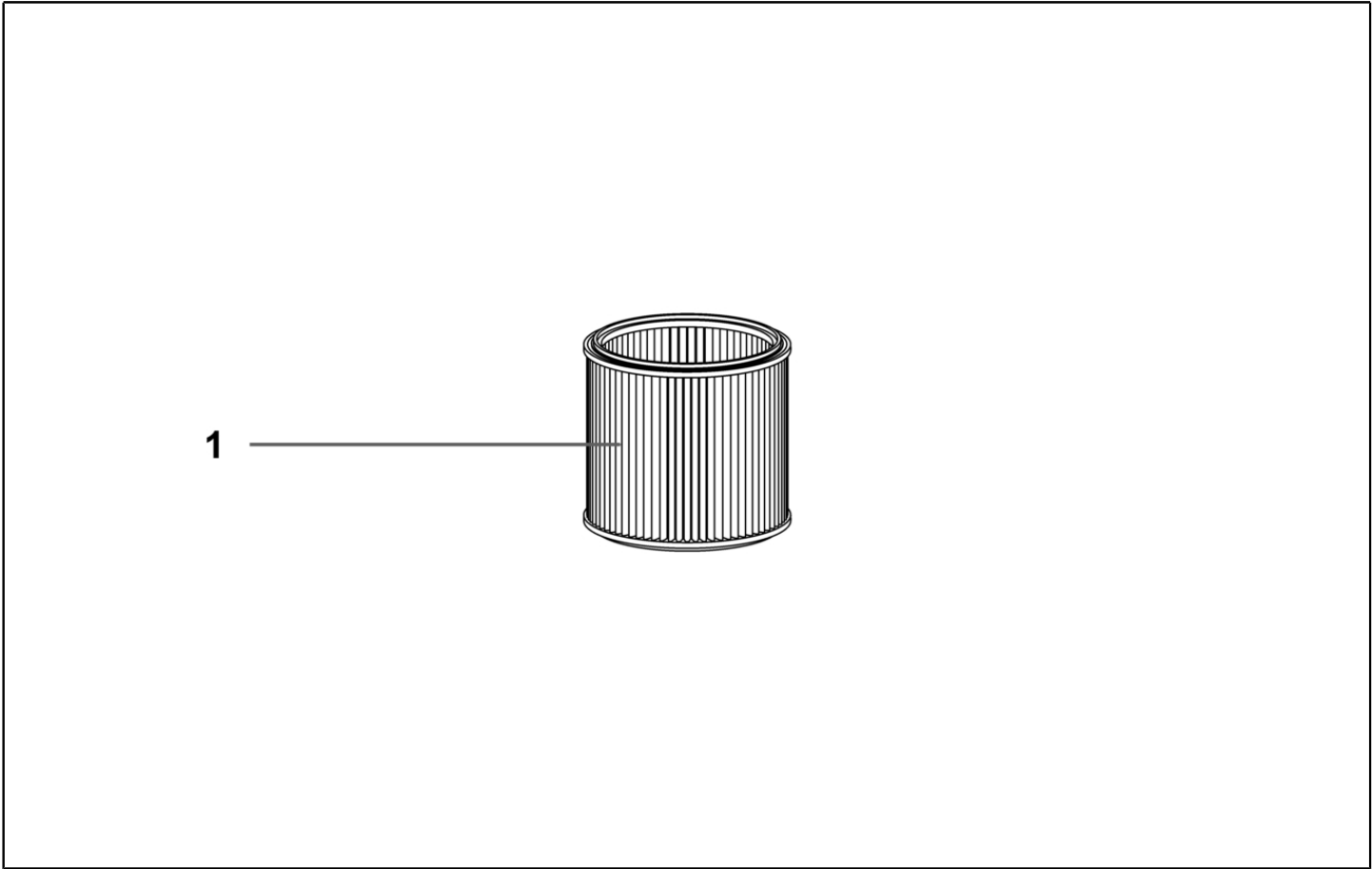
Ref. K	Part N.	Part N. 2	Description	Quantity	Validity		Price
					From	To	
0001	TBFX00586	N/A	FLEX HOSE 58 G55 X METER	6,00			--
0002	MPVR41815	N/A	COUPLING 99 FOR FLEX HOSE D.58/D.60	1,00			--



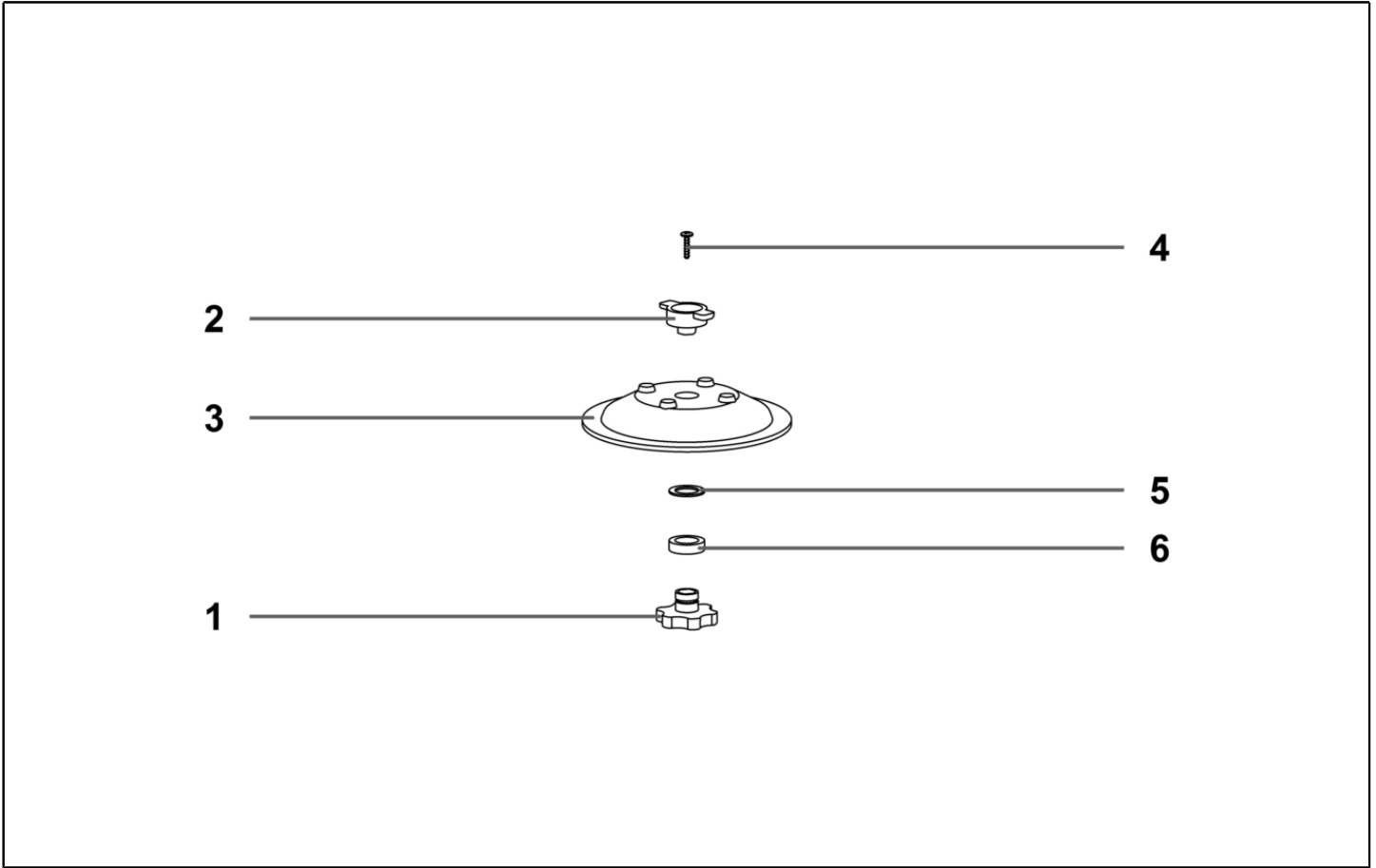
Ref. K	Part N.	Part N. 2	Description	Quantity	Validity		Price
					From	To	
0001	GUVR00583	N/A	GASKET AUTOADESIVA 157x127x3 MM	1,00			--
0001	GUVR00583	N/A	GASKET AUTOADESIVA 157x127x3 MM	1,00			--



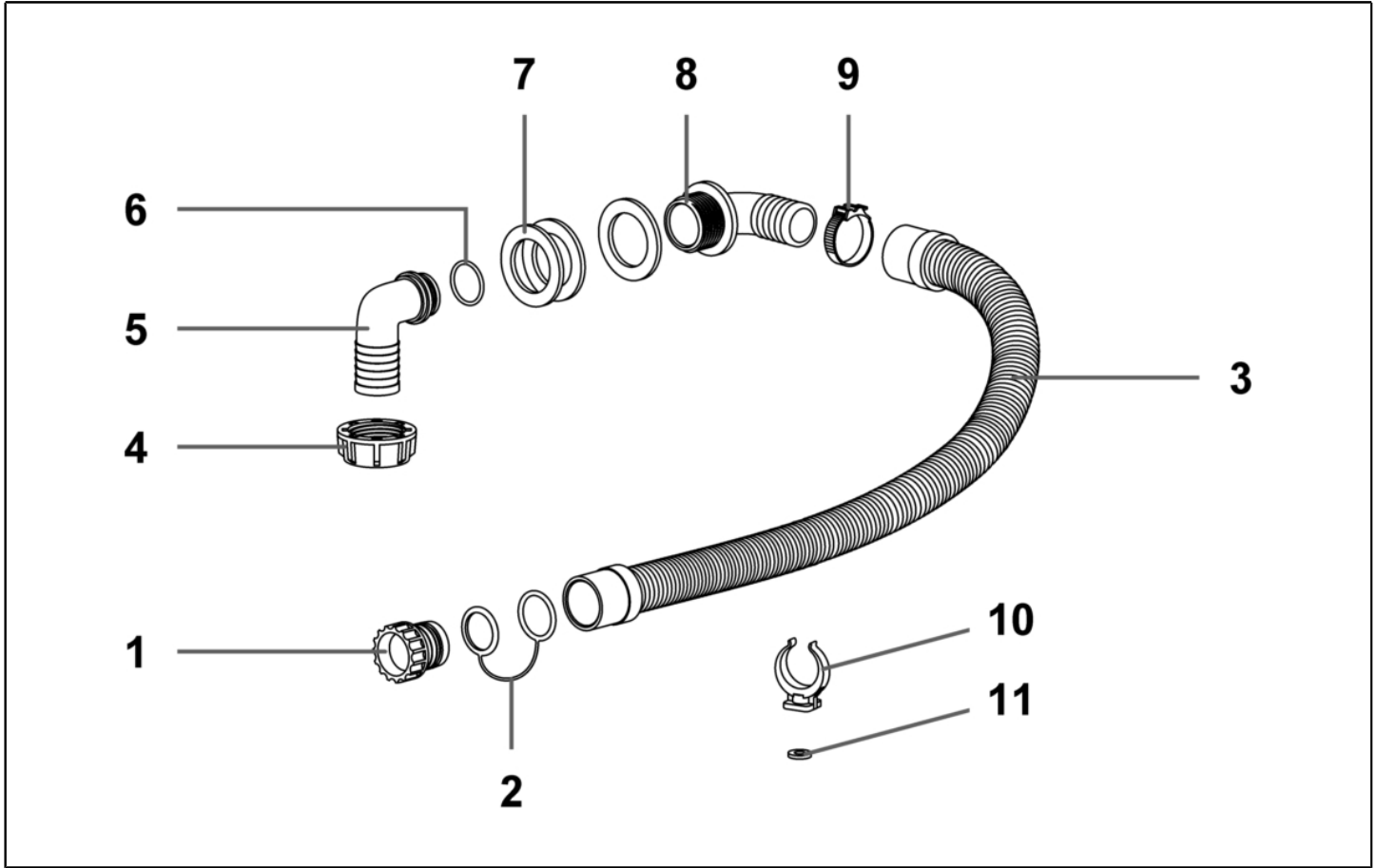
Ref. K	Part N.	Part N. 2	Description	Quantity	Validity		Price
					From	To	
0001	VTVT36751	N/A	SCREW SCREW PAT TMT PHL 5X25	1,00			--
0001	VTVT36751	N/A	SCREW SCREW PAT TMT PHL 5X25	1,00			--



Ref. K	Part N.	Part N. 2	Description	Quantity	Validity		Price
					From	To	
0001	FTDP44260	N/A	POLYESTER CARTRIDGE 175X145X163	1,00			--
0001	FTDP44260	N/A	POLYESTER CARTRIDGE 175X145X163	1,00			--



Ref. K	Part N.	Part N. 2	Description	Quantity	Validity		Price
					From	To	
0001	MPVR07254	N/A	KNOB RAPID ATTACK	1,00			--
0002	MPVR07253	N/A	HOOKING RAPID ATTACK	1,00			--
0003	MPVR06630	N/A	DISC FILTER SUPPORT	1,00			--
0004	VTVT71961	N/A	SCREW PFU TMT PHL 5X20 ZN NERA	1,00			--
0005	VTRS00418	N/A	WASHER P.P. 30X20X1,5	1,00			--
0006	VTRS00419	N/A	WASHER SPONGE RUBBER 30X20X8	1,00			--



Ref. K	Part N.	Part N. 2	Description	Quantity	Validity		Price
					From	To	
0001	MPVR10436	N/A	PLASTIC TOP D.40 X 35 C/OR COMPL.	1,00			--
0002	MPVR41222	N/A	TIE ROD CAP	1,00			--
0003	TBBP00544	N/A	EXHAUST PIPE D.34 L=300	1,00			--
0004	RCVR00341	N/A	CONNECTION 1-1/4"	1,00			--
0005	RCVR00756	N/A	CONNECTOR -	1,00			--
0006	GUGO00345	N/A	O-RING 28 X 2,5 NBR	1,00			--
0007	GUGO41219	N/A	GASKET 60X40X4	3,00			--
0008	RCVR41224	N/A	RUBBER HOLDER UNION CURVED 90°1-1/4	1,00			--
0009	FSVR00129	N/A	CABLE TIE 25X45	1,00			--
0010	FSVR41221	N/A	LIRA CLAMP D.34	1,00			--
0011	GUGO88484	N/A	RUBBER GASKET D.10X4,5X1,5	1,00			--



Ref. K	Part N.	Part N. 2	Description	Quantity	Validity		Price
					From	To	
0001	FSVR00129	N/A	CABLE TIE 25X45	1,00			--