



Spare Parts List

IP Cleaning Srl - Soteco

Ref: ASDO14193

Cust.Ref: NEW COMMERCIAL PLUS

Model: VACUUM CLEANER WP 3/72 W&D WINDLY 440B G

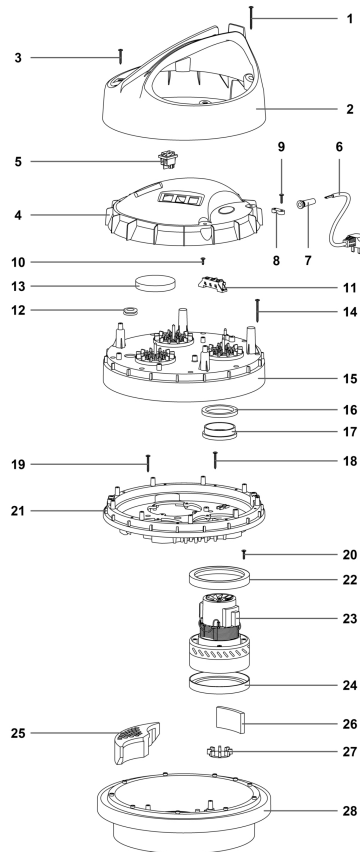
Cust.Model:



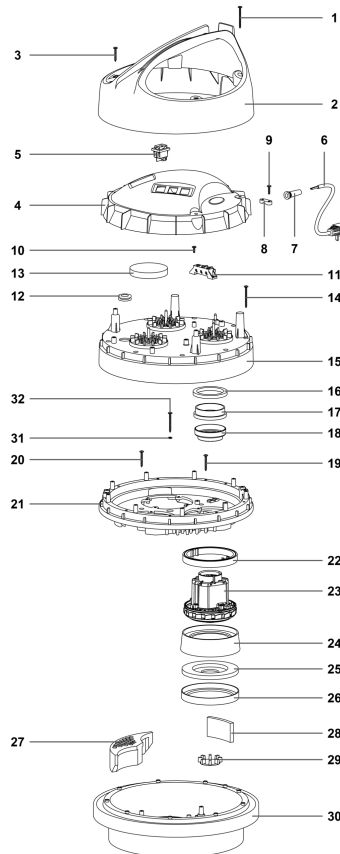
IPC Integrated Professional Cleaning

IPC Soteco

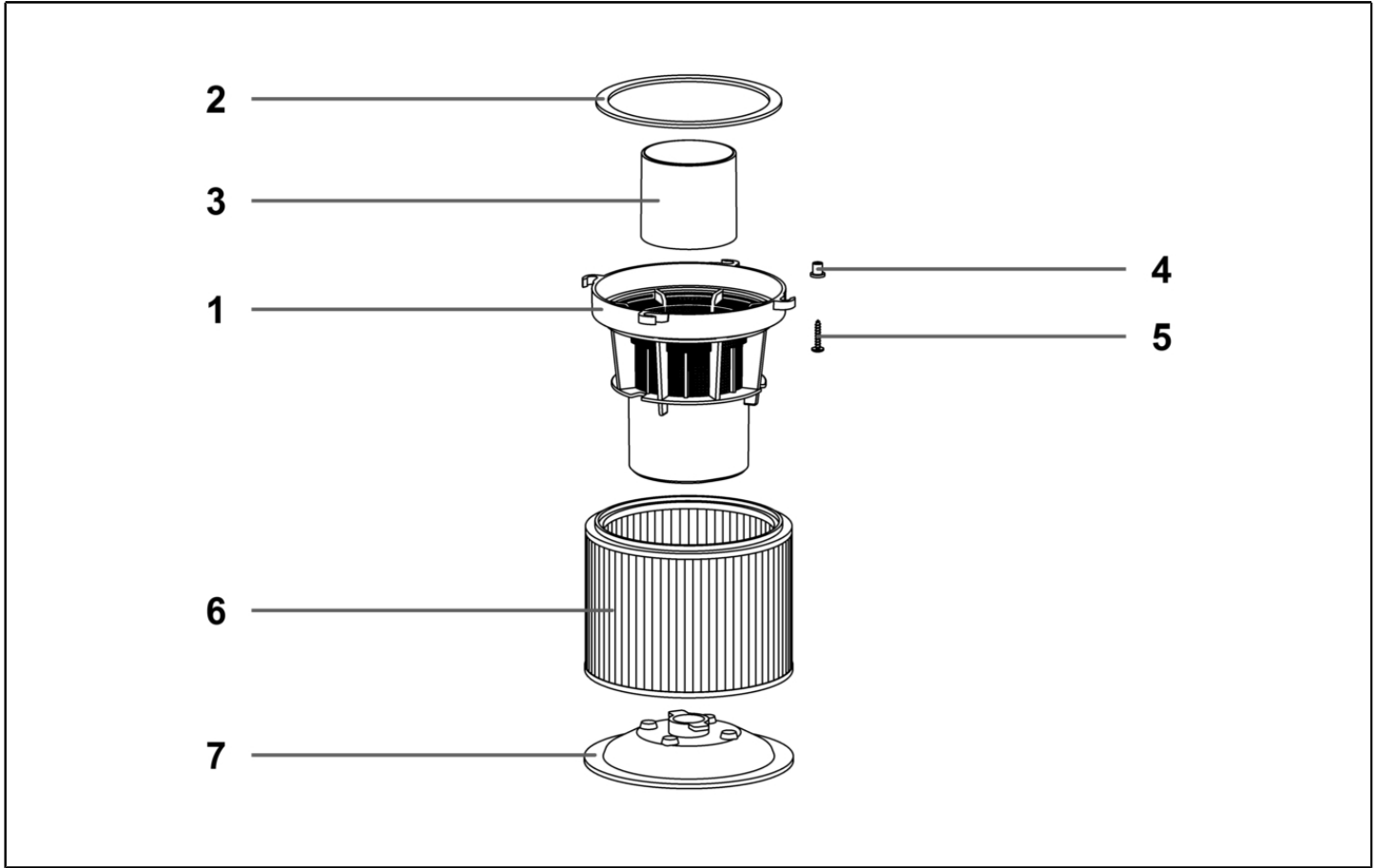
| Ref. K | Part N. | Part N. 2 | Description | Quantity | Validity | | Price |
|--------|-----------|-----------|--------------------------------------|----------|------------|------------|-------|
| | | | | | From | To | |
| 0001 | PMTA09459 | N/A | HEAD WINDLY 440 HP NE/AZ GB 12 | 1,00 | | 19/10/2023 | -- |
| 0001 | PMTA09538 | N/A | HEAD WINDLY 440 HP NE/AZ GB 12 | 1,00 | 20/10/2023 | | -- |
| 0002 | KTRI05900 | N/A | FILTERING KIT 300/500/400/600 POLY H | 1,00 | | | -- |
| 0003 | LAFN09609 | N/A | PROTECTION CARTRIDGE SKYVAC | 1,00 | | | -- |
| 0004 | PMFU02988 | N/A | TANK 400 EUR/B OUTDOOR G4/G6/A | 1,00 | | | -- |
| 0005 | CARR03415 | N/A | TROLLEY OUTDOOR 400 BASC. F/PL NE | 1,00 | | | -- |
| 0006 | MPVR41815 | N/A | COUPLING 99 FOR FLEX HOSE D.58/D.60 | 1,00 | | | -- |



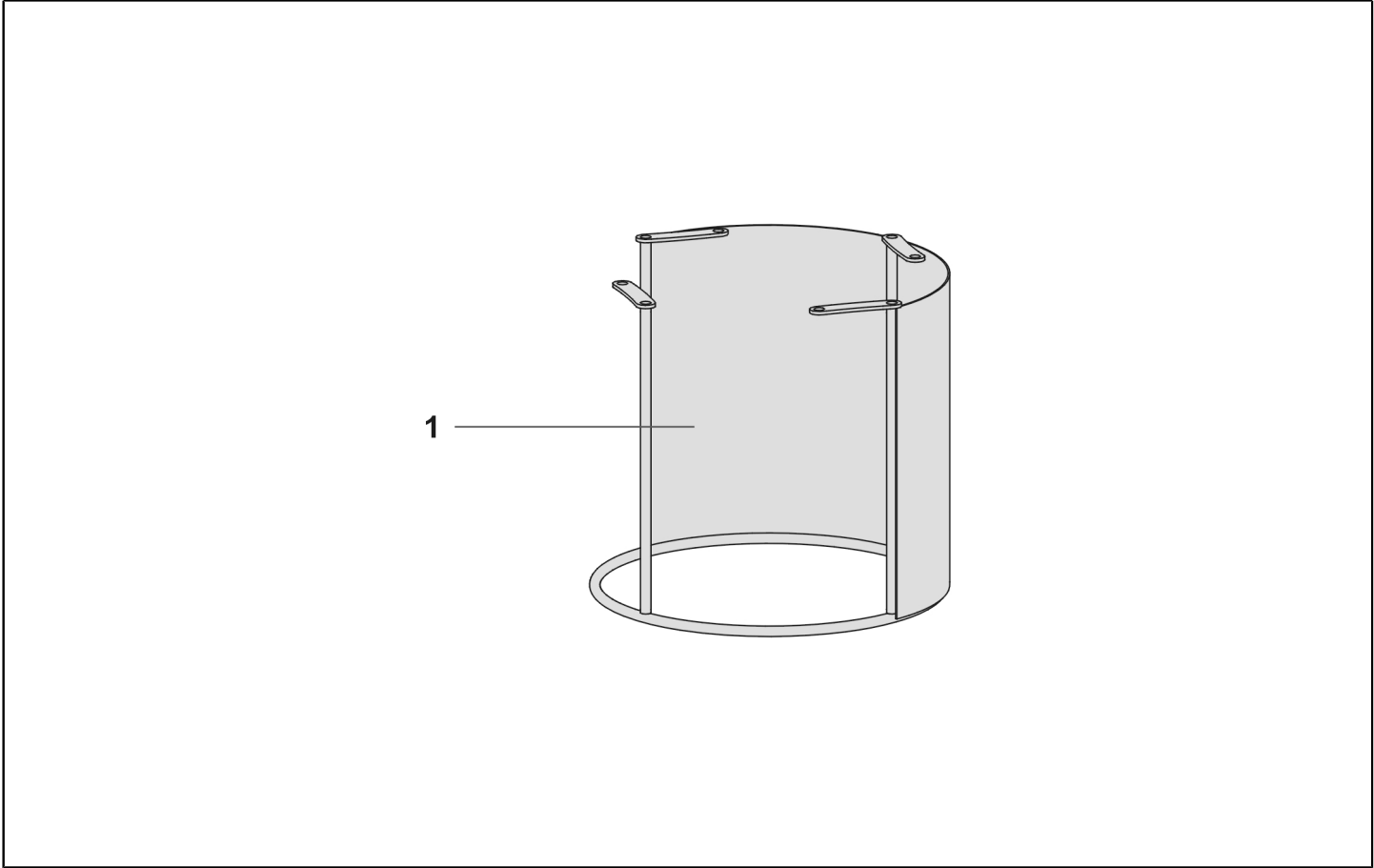
| Ref. K | Part N. | Part N. 2 | Description | Quantity | Validity | | Price |
|--------|-----------|-----------|----------------------------------|----------|------------|----|-------|
| | | | | | From | To | |
| * | MECB01826 | N/A | WIRING 50CM MOTORE POKE-IN-TP | 3,00 | 16/10/2023 | | -- |
| * | FSVR00127 | N/A | CLAMP | 4,00 | | | -- |
| 0001 | VTVT40007 | N/A | SCREW PAT TMT PHL 5X55 BLACK | 2,00 | | | -- |
| 0002 | MPVR08255 | N/A | BLACK HANDLE WINDLY 600 | 1,00 | | | -- |
| 0003 | VTVT71971 | N/A | SCREW PAT TMT PHL 5X35 BLACK | 2,00 | | | -- |
| 0004 | PMVR06367 | N/A | COVER WINDLY 600 AZ 3INT | 1,00 | | | -- |
| 0005 | MECI28744 | N/A | ANTISPLASH RED LIGHT SWITCHER | 3,00 | | | -- |
| 0006 | MECB01809 | N/A | POWER CORD 2X1,5 MT.12 GB | 1,00 | | | -- |
| 0007 | MEVR28673 | N/A | FAIRLEAD | 1,00 | | | -- |
| 0008 | MPVR28690 | N/A | CABLE CLAMP | 1,00 | | | -- |
| 0009 | VTVT71961 | N/A | SCREW PFU TMT PHL 5X20 ZN NERA | 1,00 | | | -- |
| 0010 | VTVT71960 | N/A | SCREW PAT TMT PHL 5X14 ZN | 2,00 | | | -- |
| 0011 | MEVR02008 | N/A | TERM.BOARD 400-600 3MOT.RAD | 1,00 | | | -- |
| 0012 | MEVR72017 | N/A | GUIDING SLIT FOR QUICK COUPLING | 1,00 | | | -- |
| 0013 | FTDP38064 | N/A | FILTER MTP/65 H=15 D.95 | 3,00 | | | -- |
| 0014 | VTVT40007 | N/A | SCREW PAT TMT PHL 5X55 BLACK | 9,00 | | | -- |
| 0015 | MPVR08504 | N/A | L.BLUE COVER 600 | 1,00 | | | -- |
| 0016 | MPVR38371 | N/A | WASHER H8 D85X65 | 3,00 | | | -- |
| 0017 | MPVR86282 | N/A | RING MOTORE H=7 (15) PLAST. | 3,00 | | | -- |
| 0018 | VTVT72106 | N/A | SCREW PAT TMT PHL 5X40 BLACK | 9,00 | | | -- |
| 0019 | VTVT72106 | N/A | SCREW PAT TMT PHL 5X40 BLACK | 3,00 | 19/09/2023 | | -- |
| 0020 | VTVT71961 | N/A | SCREW PFU TMT PHL 5X20 ZN NERA | 12,00 | 16/10/2023 | | -- |
| 0021 | MPVR89502 | N/A | MOTOR-FASTENER NEV.600 BLACK | 1,00 | 16/10/2023 | | -- |
| 0022 | GUGO28683 | N/A | "L" GASKET W/O HOLES H=5,5 | 3,00 | 16/10/2023 | | -- |
| 0023 | MOMO28716 | N/A | MOT.BD302 1000W 220-240V 50-60HZ | 3,00 | 16/10/2023 | | -- |
| 0024 | GUGO28683 | N/A | "L" GASKET W/O HOLES H=5,5 | 3,00 | 16/10/2023 | | -- |
| 0025 | FTDP00891 | N/A | FILTER FONO TRIANGOLARE H=53 | 3,00 | 22/03/2023 | | -- |
| 0026 | FTDP28745 | N/A | GASKET MTP/30 AU-AD 50X10X85 | 3,00 | | | -- |
| 0027 | MPVR28748 | N/A | AUTOMATIC VALVE | 3,00 | | | -- |
| 0028 | PMBA00736 | N/A | BASE 600/400 NE COMP H | 1,00 | | | -- |



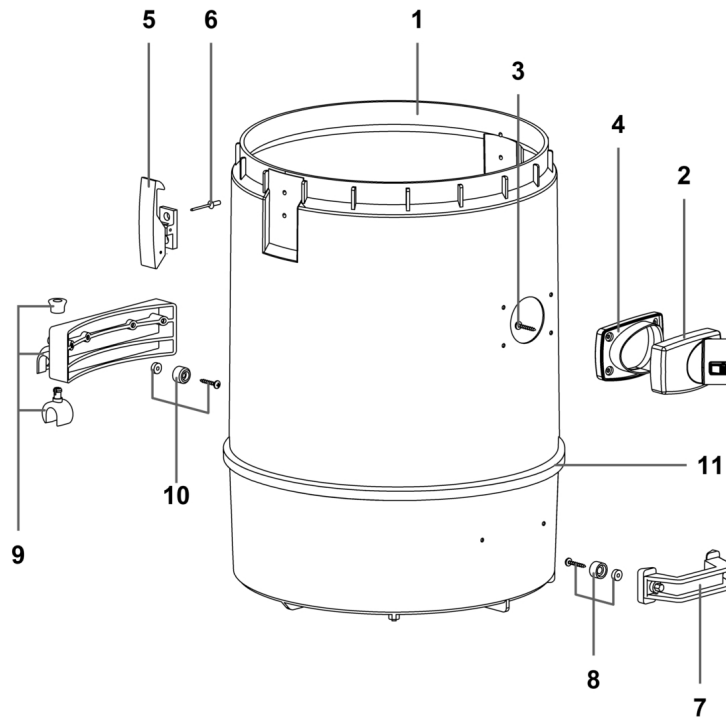
| Ref. K | Part N. | Part N. 2 | Description | Quantity | Validity | | Price |
|--------|-----------|-----------|----------------------------------|----------|----------|----|-------|
| | | | | | From | To | |
| * | MECB02382 | N/A | MOTOR WIRING 55CM TP DOMEL | 3,00 | | | -- |
| * | FSVR00127 | N/A | CLAMP | 4,00 | | | -- |
| 0001 | VTVT40007 | N/A | SCREW PAT TMT PHL 5X55 BLACK | 2,00 | | | -- |
| 0002 | MPVR08255 | N/A | BLACK HANDLE WINDLY 600 | 1,00 | | | -- |
| 0003 | VTVT71971 | N/A | SCREW PAT TMT PHL 5X35 BLACK | 2,00 | | | -- |
| 0004 | PMVR06367 | N/A | COVER WINDLY 600 AZ 3INT | 1,00 | | | -- |
| 0005 | MECI28744 | N/A | ANTISPLASH RED LIGHT SWITCHER | 3,00 | | | -- |
| 0006 | MECB01809 | N/A | POWER CORD 2X1,5 MT.12 GB | 1,00 | | | -- |
| 0007 | MEVR28673 | N/A | FAIRLEAD | 1,00 | | | -- |
| 0008 | MPVR28690 | N/A | CABLE CLAMP | 1,00 | | | -- |
| 0009 | VTVT71961 | N/A | SCREW PFU TMT PHL 5X20 ZN NERA | 1,00 | | | -- |
| 0010 | VTVT71960 | N/A | SCREW PAT TMT PHL 5X14 ZN | 2,00 | | | -- |
| 0011 | MEVR02008 | N/A | TERM.BOARD 400-600 3MOT.RAD | 1,00 | | | -- |
| 0012 | MEVR72017 | N/A | GUIDING SLIT FOR QUICK COUPLING | 1,00 | | | -- |
| 0013 | FTDP38064 | N/A | FILTER MTP/65 H=15 D.95 | 3,00 | | | -- |
| 0014 | VTVT40007 | N/A | SCREW PAT TMT PHL 5X55 BLACK | 9,00 | | | -- |
| 0015 | MPVR08504 | N/A | L.BLUE COVER 600 | 1,00 | | | -- |
| 0016 | MPVR38371 | N/A | WASHER H8 D85X65 | 3,00 | | | -- |
| 0017 | MPVR86282 | N/A | RING MOTORE H=7 (15) PLAST. | 3,00 | | | -- |
| 0018 | MPVR13516 | N/A | RING MOTORE H=26 DOMEL | 3,00 | | | -- |
| 0019 | VTVT72106 | N/A | SCREW PAT TMT PHL 5X40 BLACK | 9,00 | | | -- |
| 0020 | VTVT72106 | N/A | SCREW PAT TMT PHL 5X40 BLACK | 3,00 | | | -- |
| 0021 | MPVR08329 | N/A | MOTOR SUPPORT HS 600 BLACK | 1,00 | | | -- |
| 0022 | GUVR00630 | N/A | "C" GASKET D.130 | 3,00 | | | -- |
| 0023 | MOMO01030 | N/A | MOTOR BS2D 1000W 220-240V 50/60 | 3,00 | | | -- |
| 0024 | MPVR13574 | N/A | GASKET MOT "L" 135 H32 GOMMA TE | 3,00 | | | -- |
| 0025 | MPVR89143 | N/A | OUTDISTANCED SINGLE-STAGE H=13MM | 3,00 | | | -- |
| 0026 | GUGO28683 | N/A | "L" GASKET W/O HOLES H=5,5 | 3,00 | | | -- |
| 0027 | FTDP00891 | N/A | FILTER FONO TRIANGOLARE H=53 | 3,00 | | | -- |
| 0028 | FTDP28745 | N/A | GASKET MTP/30 AU-AD 50X10X85 | 3,00 | | | -- |
| 0029 | MPVR28748 | N/A | AUTOMATIC VALVE | 3,00 | | | -- |
| 0030 | PMBA00736 | N/A | BASE 600/400 NE COMP H | 1,00 | | | -- |
| 0031 | GUGO88484 | N/A | RUBBER GASKET D.10X4,5X1,5 | 1,00 | | | -- |
| 0032 | VTVT32295 | N/A | SCREW PAT TMT PHL 5X50 | 1,00 | | | -- |



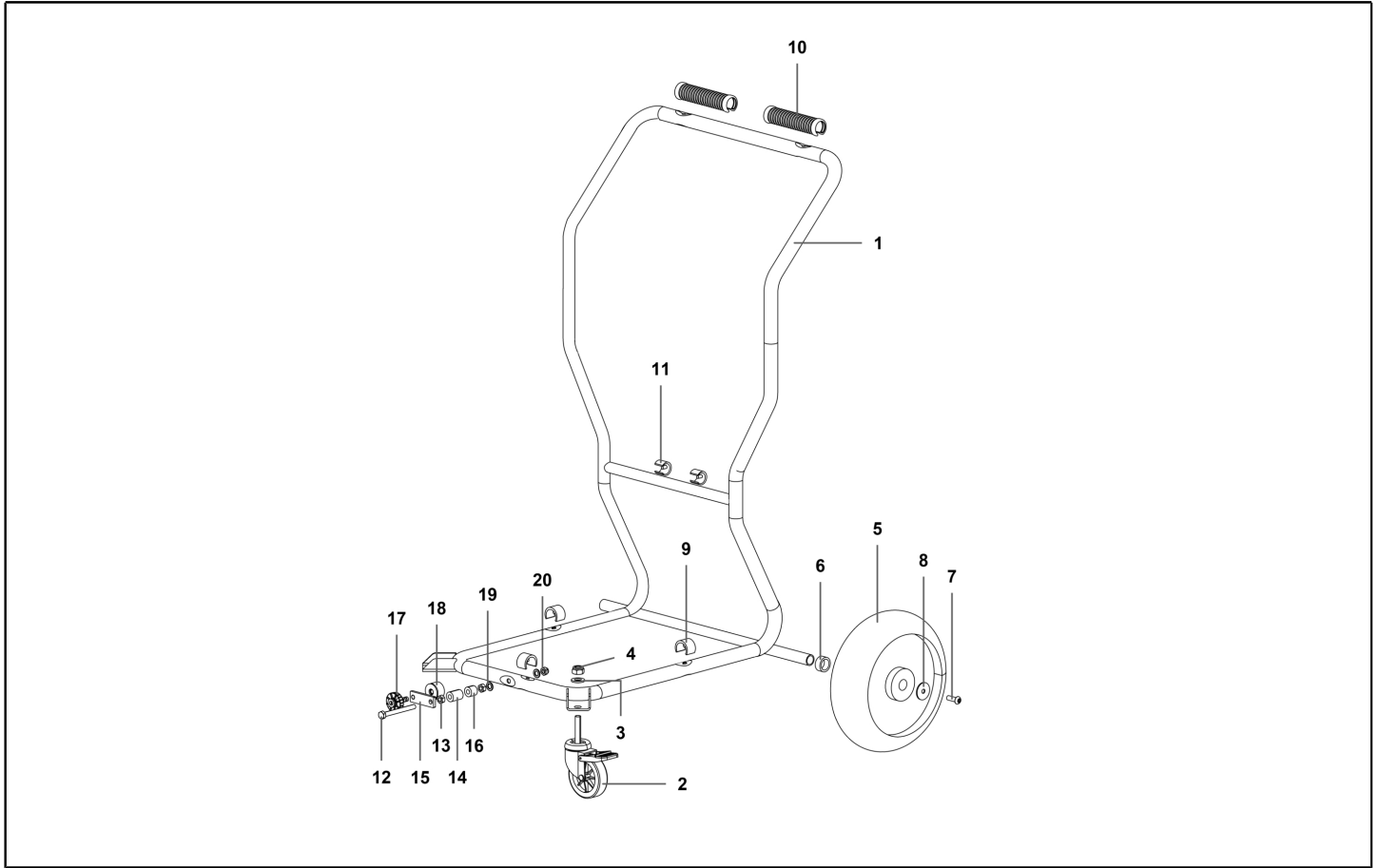
| Ref. K | Part N. | Part N. 2 | Description | Quantity | Validity | | Price |
|--------|-----------|-----------|---------------------------------|----------|------------|------------|-------|
| | | | | | From | To | |
| 0001 | MPVR40521 | N/A | NET ANTIFOAM BODY HIGH | 1,00 | | | -- |
| 0002 | GUVR00583 | N/A | GASKET AUTOADESIVA 157x127x3 MM | 1,00 | | | -- |
| 0003 | RCGR40008 | N/A | HIGH FLOAT 99 W/GASKET 37 SHA | 1,00 | | | -- |
| 0004 | MPVR35796 | N/A | BUSHING PLASTIC SLEEVE D.8 | 4,00 | | | -- |
| 0005 | VTVT36751 | N/A | SCREW SCREW PAT TMT PHL 5X25 | 4,00 | | | -- |
| 0006 | FTDP44260 | N/A | POLYESTER CARTRIDGE 175X145X163 | 1,00 | | 17/03/2022 | -- |
| 0006 | FTDP00583 | N/A | CARTRIDGE POLY 175X145X164 C/F | 1,00 | 18/03/2022 | | -- |
| 0007 | MPVR28723 | N/A | COMPL.RING FOR FILTER | 1,00 | | | -- |



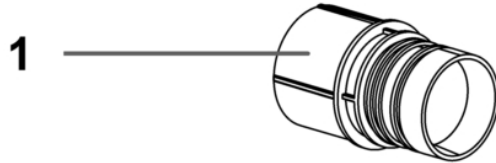
| Ref. K | Part N. | Part N. 2 | Description | Quantity | Validity | | Price |
|--------|-----------|-----------|-----------------------------|----------|----------|----|-------|
| | | | | | From | To | |
| 0001 | LAFN09609 | N/A | PROTECTION CARTRIDGE SKYVAC | 1,00 | | | -- |
| 0001 | LAFN09609 | N/A | PROTECTION CARTRIDGE SKYVAC | 1,00 | | | -- |



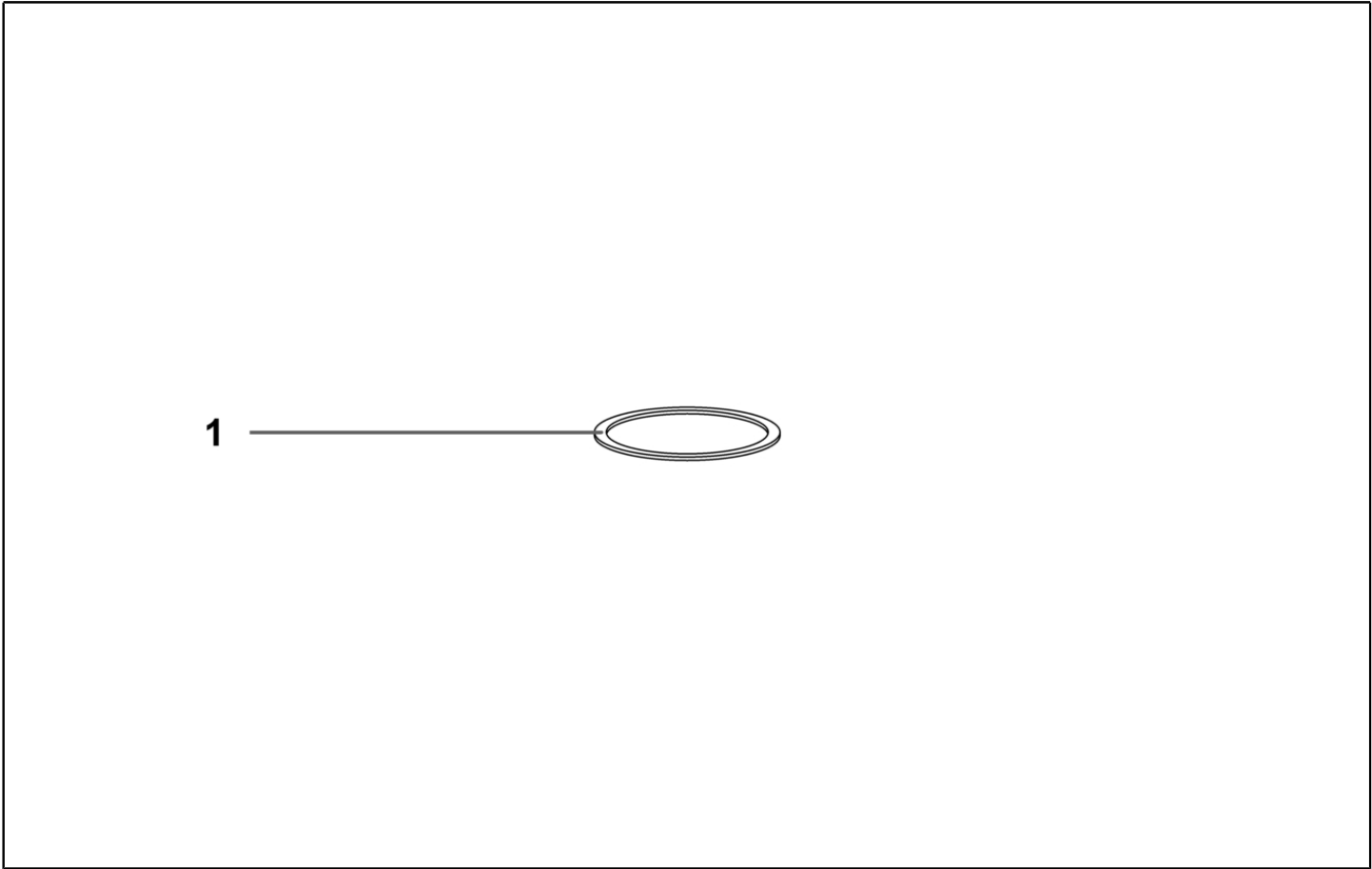
| Ref. K | Part N. | Part N. 2 | Description | Quantity | Validity | | Price |
|--------|-----------|-----------|---------------------------------|----------|----------|----|-------|
| | | | | | From | To | |
| 0001 | PMVR07027 | N/A | TANK EUROPA OUTDOOR 400 BASC. | 1,00 | | | -- |
| 0002 | MPVR10409 | N/A | PIPE UNION TANG. COND. C/PUL.RN | 1,00 | | | -- |
| 0003 | VTVT72055 | N/A | SCREW PFU TMT PHL 5X25 ZN BLACK | 4,00 | | | -- |
| 0004 | MPVR07323 | N/A | GASKET BOCCH. TANGENZIALE R205 | 1,00 | | | -- |
| 0005 | CHVR28735 | N/A | COMPLETE PLASTIC HOOK BLACK | 2,00 | | | -- |
| 0006 | VTVR00340 | N/A | RIVET 5X24,5 | 4,00 | | | -- |
| 0007 | MPVR28737 | N/A | BLACK HANDLE | 1,00 | | | -- |
| 0008 | PMVR02551 | N/A | COMPL.SEAL JOI. C/VITE L=30 | 2,00 | | | -- |
| 0009 | PMVR07024 | N/A | HINGE GROUP BASC. COMP. RINF | 1,00 | | | -- |
| 0010 | PMVR02551 | N/A | COMPL.SEAL JOI. C/VITE L=30 | 4,00 | | | -- |
| 0011 | MPVR09723 | N/A | SHOCKPROOF BAND 400 AZ | 1,00 | | | -- |



| Ref. K | Part N. | Part N. 2 | Description | Quantity | Validity | | Price |
|--------|-----------|-----------|----------------------------------|----------|------------|------------|-------|
| | | | | | From | To | |
| 0001 | LAFN11814 | N/A | FRAME CARRELLO OUTDOOR400 VERNI | 1,00 | | | -- |
| 0002 | RTRT00807 | N/A | WHEEL D.100 PIROET. C/FRENO M12 | 2,00 | | | -- |
| 0003 | VTRS00394 | N/A | WASHER M 12 UNI 6592 | 2,00 | | | -- |
| 0004 | VTDD72060 | N/A | LOW SELF-LOCKING NUT M 12 | 2,00 | | | -- |
| 0005 | RTRT00808 | N/A | WHEEL FISSA PU DIAM.260X85 FLA/ | 2,00 | | | -- |
| 0006 | MPVR28773 | N/A | SPACER BUSH | 2,00 | | | -- |
| 0007 | VTVT01281 | N/A | ALLEN SCREW TBEI M8X25ZB UNI7380 | 2,00 | | | -- |
| 0008 | VTVR72041 | N/A | WASHER 8X32 UNI6593 | 2,00 | | | -- |
| 0009 | MPVR13389 | N/A | FOOT APPOGGIO BASC.TUBO D.25 | 3,00 | | | -- |
| 0010 | MPVR10119 | N/A | GRIP PLAST.CARRELLO NERO | 2,00 | | | -- |
| 0011 | LAFN72157 | N/A | POSITIONER MIR. 1600 | 2,00 | | | -- |
| 0012 | VTVT01612 | N/A | SCREW TE M 8X100 UNI 5739 Z.B. | 1,00 | | 02/08/2023 | -- |
| 0012 | VTVT01018 | N/A | SCREW TE M 8X90 UNI 5739 Z.B. | 1,00 | 03/08/2023 | | -- |
| 0013 | VTDD71968 | N/A | NUT M 8 UNI 5588 | 2,00 | | | -- |
| 0014 | MPVR07328 | N/A | SPACER D18 D8,2 L25 | 1,00 | | | -- |
| 0015 | LAFN11815 | N/A | PLATE BLOCCO FUSTO OUTDOOR | 1,00 | | | -- |
| 0016 | MPVR07327 | N/A | SPACER D18 D8,2 L15 | 1,00 | | | -- |
| 0017 | VTVR01092 | N/A | HANDWHEEL M 8X35 CARRELLO OUT | 1,00 | | | -- |
| 0018 | LAFN88792 | N/A | DUMPING BASE BELT DRIVER M8 H=20 | 1,00 | | | -- |
| 0019 | VTRS00396 | N/A | WASHER M 8 UNI 6592 | 2,00 | | | -- |
| 0020 | VTDD00225 | N/A | SELF-LOCJ.NUT M 8 SMALL UNI 7474 | 1,00 | | | -- |



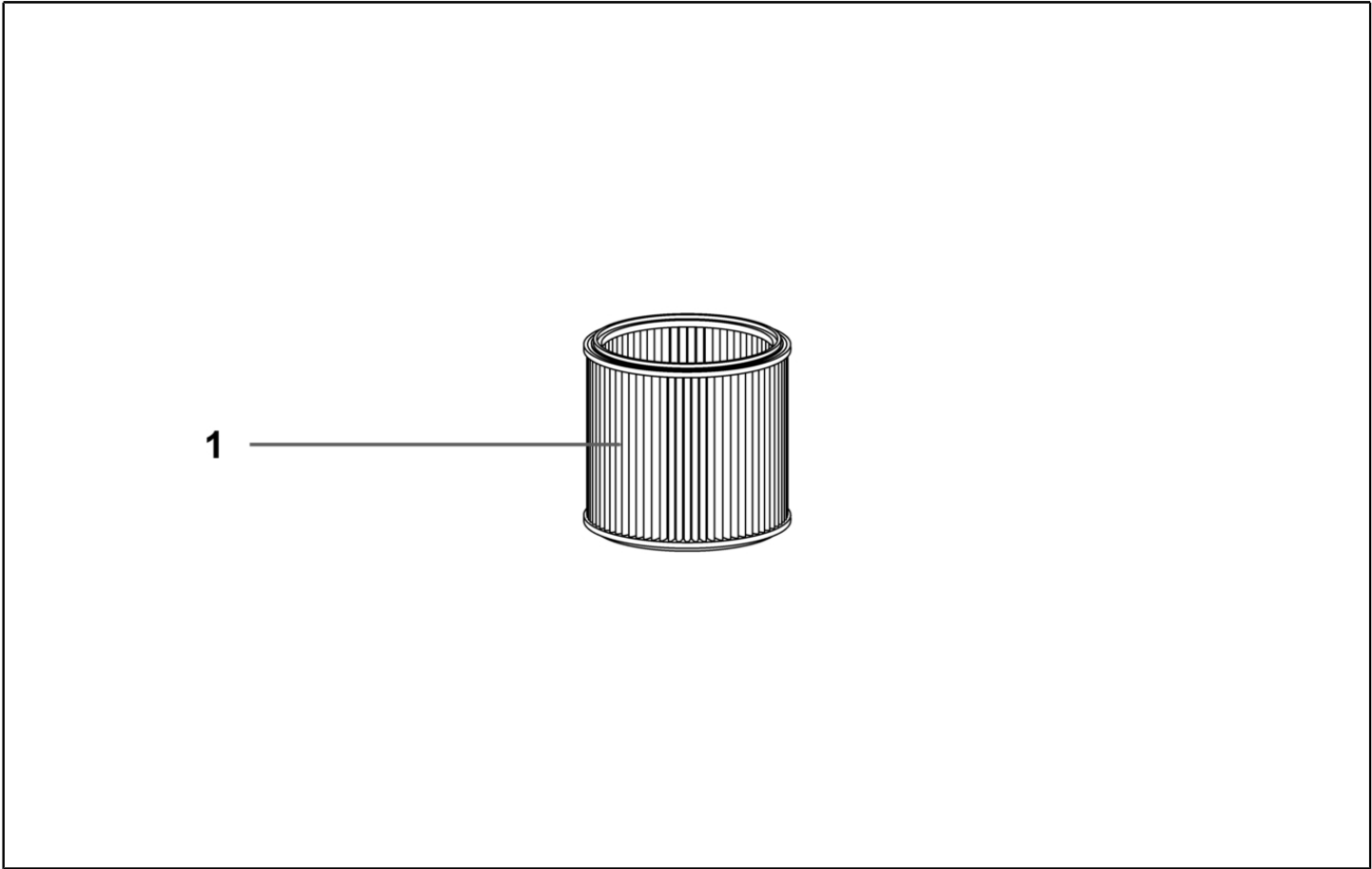
| Ref. K | Part N. | Part N. 2 | Description | Quantity | Validity | | Price |
|--------|-----------|-----------|-------------------------------------|----------|----------|----|-------|
| | | | | | From | To | |
| 0001 | MPVR41815 | N/A | COUPLING 99 FOR FLEX HOSE D.58/D.60 | 1,00 | | | -- |
| 0001 | MPVR41815 | N/A | COUPLING 99 FOR FLEX HOSE D.58/D.60 | 1,00 | | | -- |



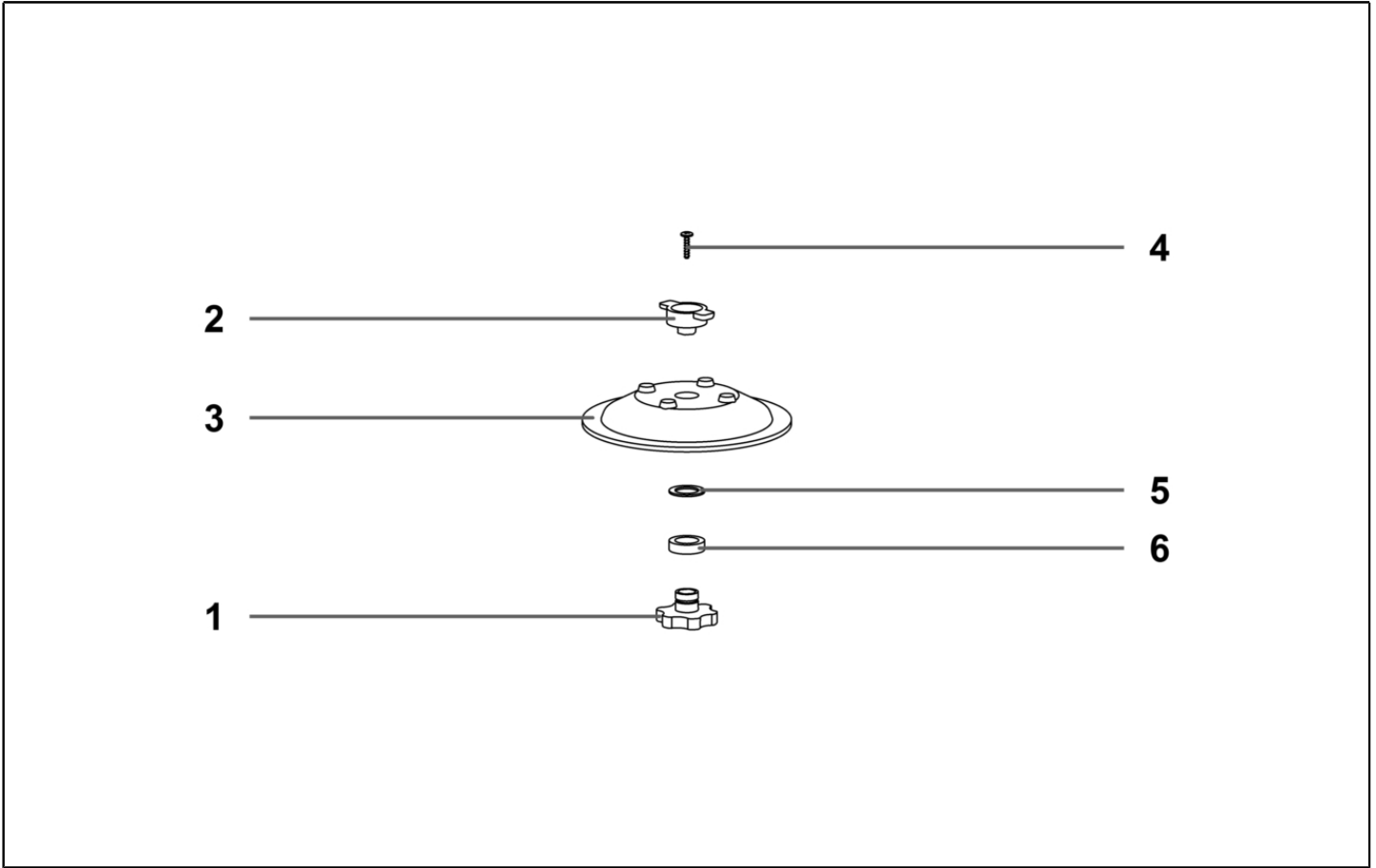
| Ref. K | Part N. | Part N. 2 | Description | Quantity | Validity | | Price |
|--------|-----------|-----------|---------------------------------|----------|----------|----|-------|
| | | | | | From | To | |
| 0001 | GUVR00583 | N/A | GASKET AUTOADESIVA 157x127x3 MM | 1,00 | | | -- |
| 0001 | GUVR00583 | N/A | GASKET AUTOADESIVA 157x127x3 MM | 1,00 | | | -- |



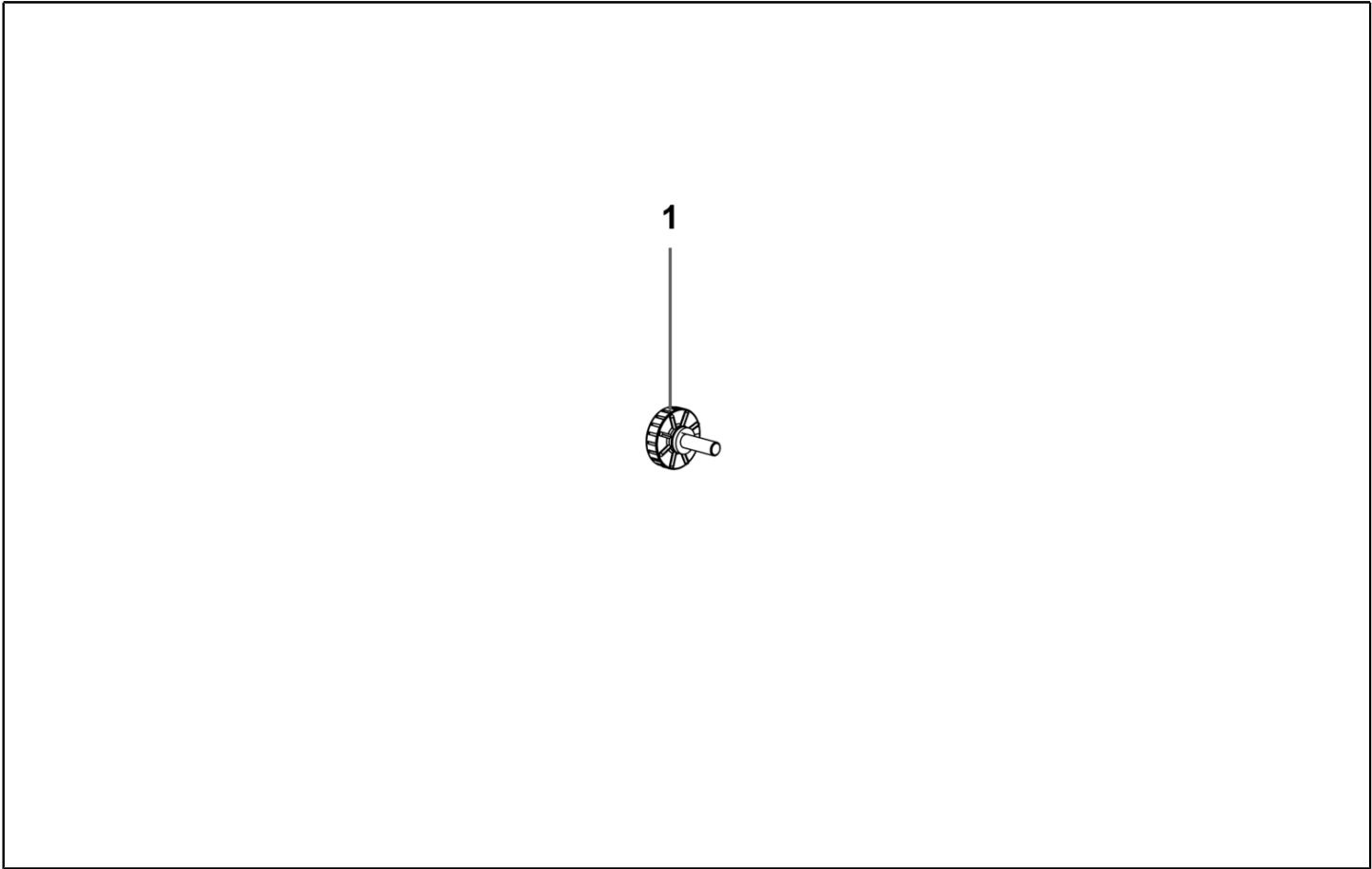
| Ref. K | Part N. | Part N. 2 | Description | Quantity | Validity | | Price |
|--------|-----------|-----------|------------------------------|----------|----------|----|-------|
| | | | | | From | To | |
| 0001 | VTVT36751 | N/A | SCREW SCREW PAT TMT PHL 5X25 | 1,00 | | | -- |
| 0001 | VTVT36751 | N/A | SCREW SCREW PAT TMT PHL 5X25 | 1,00 | | | -- |



| Ref. K | Part N. | Part N. 2 | Description | Quantity | Validity | | Price |
|--------|-----------|-----------|---------------------------------|----------|----------|----|-------|
| | | | | | From | To | |
| 0001 | FTDP44260 | N/A | POLYESTER CARTRIDGE 175X145X163 | 1,00 | | | -- |
| 0001 | FTDP44260 | N/A | POLYESTER CARTRIDGE 175X145X163 | 1,00 | | | -- |



| Ref. K | Part N. | Part N. 2 | Description | Quantity | Validity | | Price |
|--------|-----------|-----------|--------------------------------|----------|----------|----|-------|
| | | | | | From | To | |
| 0001 | MPVR07254 | N/A | KNOB RAPID ATTACK | 1,00 | | | -- |
| 0002 | MPVR07253 | N/A | HOOKING RAPID ATTACK | 1,00 | | | -- |
| 0003 | MPVR06630 | N/A | DISC FILTER SUPPORT | 1,00 | | | -- |
| 0004 | VTVT71961 | N/A | SCREW PFU TMT PHL 5X20 ZN NERA | 1,00 | | | -- |
| 0005 | VTRS00418 | N/A | WASHER P.P. 30X20X1,5 | 1,00 | | | -- |
| 0006 | VTRS00419 | N/A | WASHER SPONGE RUBBER 30X20X8 | 1,00 | | | -- |



| Ref. K | Part N. | Part N. 2 | Description | Quantity | Validity | | Price |
|--------|-----------|-----------|-------------------------------|----------|----------|----|-------|
| | | | | | From | To | |
| 0001 | VTVR01092 | N/A | HANDWHEEL M 8X35 CARRELLO OUT | 1,00 | | | -- |
| 0001 | VTVR01092 | N/A | HANDWHEEL M 8X35 CARRELLO OUT | 1,00 | | | -- |



| Ref. K | Part N. | Part N. 2 | Description | Quantity | Validity | | Price |
|--------|-----------|-----------|----------------------------------|----------|----------|----|-------|
| | | | | | From | To | |
| 0001 | LAFN88792 | N/A | DUMPING BASE BELT DRIVER M8 H=20 | 1,00 | | | -- |
| 0001 | LAFN88792 | N/A | DUMPING BASE BELT DRIVER M8 H=20 | 1,00 | | | -- |