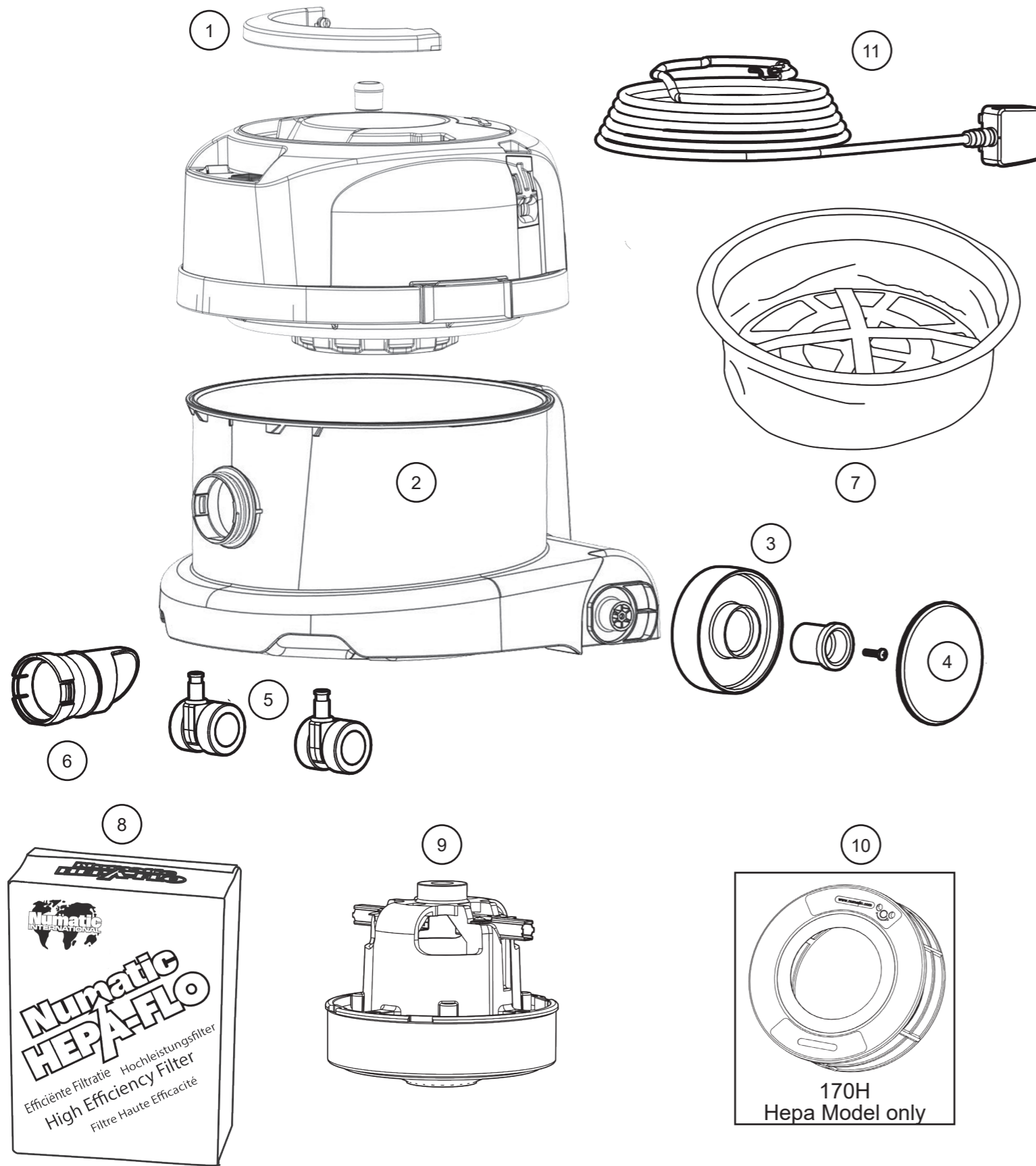
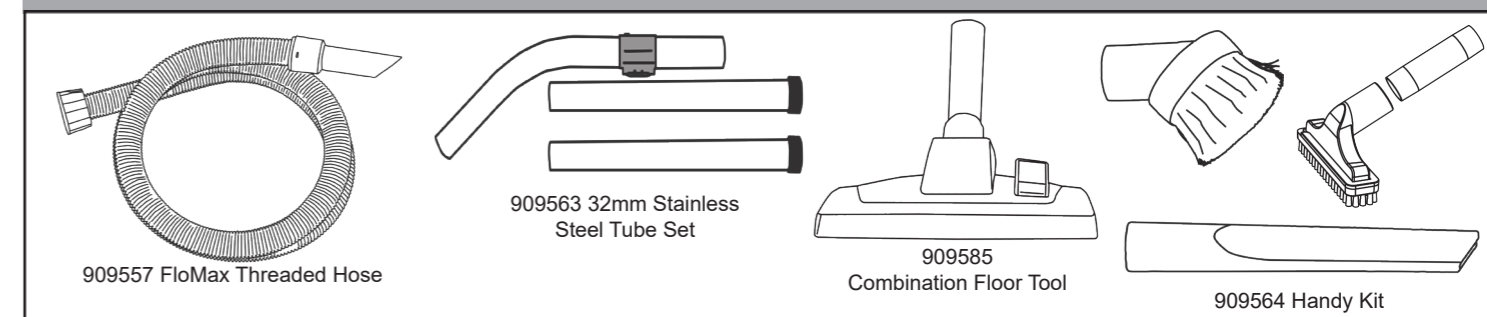


Exploded Spare Parts PPR170 / PPR170H



Num	DESCRIPTION		Num	
1	REELER HANDLE		227120	
2	11 INCH 170 DRUM WITH ACCESSORY WITH STORAGE (RED)		911114	
3	WHEEL HUB FOR 2 SHOT WHEEL		227868	
	HENRY WHEEL 2 SHOT MOULDING		227640	
	NO8.5/8 INCH LONG POZO-PAN SCREW Z/PL PLASTITE		219105	
4	COLOURED WHEEL DISC (RED)		227687	
5	50MM TWIN WHEEL CASTOR WITH PU TYRE		204111	
6	DRY 11 INCH DIFFUSER NECK		237119	
7	11" TRITEX FILTER (DRY ONLY USE)		909560	
8	PACK OF 3 NVM-1CH HEPAFLO BAGS		909291	
9	BOX OF 5 NVM-1CH HEPAFLO BAGS		907076	
	BOX OF 10 NVM-1CH HEPAFLO BAGS		907075	
	230V SINGLE STAGE TF MOTOR (DLI 653T) TCO (6210820147)		908947	
10	POST MOTOR FILTER H13 (PPR170H VERSIONS)		907044	
11	12.5 METRE X 0.75MM X 2 CORE (UK PLUG).	911501	8 METRE X 18AWG X 2 CORE CABLE (CSA PLUG)	911508
	12.5 METRE X 0.75MM X 2 CORE (EUROPEAN PLUG)	911506	12.5 METRE X 0.75MM X 2 CORE (SOUTH AFRICA PLUG)	911504
	12.5 METRE X 0.75MM X 2 CORE (SWISS PLUG)	911505	102.5 METRE X 0.75MM X 2 CORE (AUSTRALIA PLUG)	911498

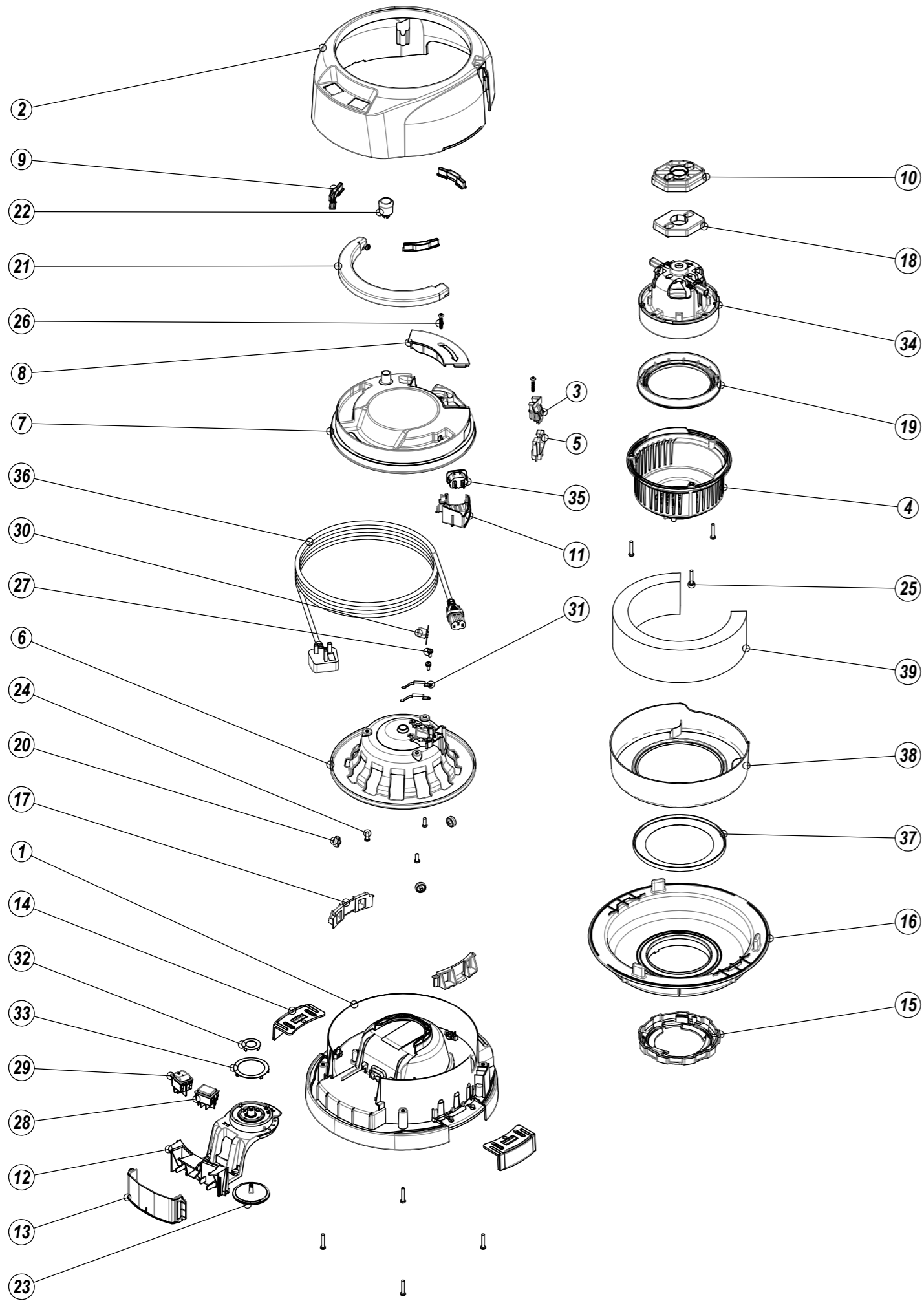
Genuine Accessories (903146 Kit AS0)



Numatic International Spare Parts

Model No: HEAD STYLE 40 (NO FILTER) - EXPLODED DRAWING

911878 24/02/2021
DRAWING: DRW-32771
ISS:A02.01



Numatic International Spare Parts

Model No: HEAD STYLE 40 (NO FILTER) - EXPLODED DRAWING

POS.	ITEM NO.	DESCRIPTION	QTY.	NOTE
1	911477	MOTOR-HOUSING-FRONT-SWITCH	1	
2	911229	PLUGGED-REELER-COVER	1	
3	911478	PLUGGED CABLE ENTRY UPPER	1	
4	911472	MOTOR-POD-FRONT-SWITCH	1	
5	911230	PLUGGED CABLE ENTRY LOWER	1	
6	911259	PLUGGED-REELER-LOWER (PUSH FIT CONTACTS) WITH INSERTS	1	
	911437	PLUGGED-REELER-LOWER (PUSH FIT CONTACTS) (FR) WITH INSERTS		V45/V69/V71 MODELS ONLY
7	911233	PLUGGED-REELER-UPPER	1	
	911402	PLUGGED-REELER-UPPER (FR)		V45/V69/V71 MODELS ONLY
8	911232	REELER PLUG ACCESS PANEL	1	
	911434	REELER PLUG ACCESS PANEL (FR)		V45/V69/V71 MODELS ONLY
9	911234	PLUGGED-REELER-SPACER	3	
10	911547	SHORT STACK MOTOR ADAPTOR (ALLERGY)	1	FOR USE WITH 908947 MOTOR ONLY
11	912658	REELER SOCKET SADDLE (FR)	1	
12	901589	MODULE-ELECTRICAL	1	
	901588	MODULE-ELECTRICAL (FR)		V45/V69/V71 MODELS ONLY
13	901591	COVER-MODULE-ELECTRICAL	1	
	901592	COVER-MODULE-ELECTRICAL (FR)		V45/V69/V71 MODELS ONLY
14	907051	SLIDING TOGGLE	2	
15	907004	LOCK-RING	1	
16	906998	POST MOTOR FILTER HOUSING	1	
17	907068	TOGGLE LOCKING LATCH	2	
18	907002	MOTOR-TOP-MOUNT	1	
19	907003	MOTOR-GASKET	1	
20	901009	ROLLER WHEEL	3	
21	227120	HANDLE - HVR/HET/NRV	1	
22	229617	CABLE REEL WINDER KNOB ASSY	1	
23	901590	INSULATOR (FR)	1	
24	291152	NO8.1/2 INCH LG. T20. SCREW. Z/PL. PLASTITE	3	
25	291082	#8 SCREW 1"L T20 PAN HEAD P/L THREAD FORMING	7	
26	291117	NO.8 x 1 INCH (4.5MM CAPTIVE) POZI-PAN SCREW / PLASTITE / BLACKODISED	2	
27	291151	M4 X 10MM LONG T20 SEMS SCREW Z/PL - PRODUCT CODE 8.8 - TX20 HEAD	2	
28	208885	NEON INDICATOR (EVEREL, B71121G000000)	1	
29	230253	EVEREL ROCKER SWITCH	1	
30	230096	SUPPRESSOR CAPACITOR ASSEMBLY WITH DISCHARGE RESISTOR (AS SUPPLIED)	1	
31	902525	REELER CONTACT SPRING	2	
32	227141	INNER CONTACT RING	1	
33	227142	OUTER CONTACT RING	1	
34	908947	230V SINGLE STAGE TF MOTOR (DLI 653T) TCO (6210820147)	1	
	901702	230V SINGLE STAGE THRO FLOW FAN MOTOR (DLI 420T) TCO (420)		V45/V69/V71 MODELS ONLY
	906201	120V SINGLE STAGE THRO FLOW FAN MOTOR (DLI 1051T) TCO (620)		
35	230204	NUC18S INLET - VOLEX	1	
	911501	MAINS CABLE. YELLOW. 12500.0m75.2.NUS17S PLUG. UK PLUG		V16 MODELS ONLY
	911400	MAINS CABLE. YELLOW. 12500.0m75.2.NUS17S PLUG. AUSTRALIAN 10A 3 PIN PLUG		V81 MODELS ONLY
	911501	MAINS CABLE. YELLOW. 12500.0m75.2.NUS17S PLUG. SOUTH AFRICAN 15A PLUG		V83 MODELS ONLY
36	911505	MAINS CABLE. YELLOW. 12500.0m75.2.NUS17S PLUG. SWISS 2 PIN PLUG	1	V53 MODELS ONLY
	911506	MAINS CABLE. YELLOW. 12500.0m75.2.NUS17S PLUG. EURO 16A 2 PIN PLUG		V30 MODELS ONLY
	911500	MAINS CABLE. YELLOW. 8000.1.2.NUS17S PLUG. CSA USA 2 PIN PLUG		V45/V69/V71 MODELS ONLY
37	911827	ACOUSTIC POD SEAL	1	
38	911826	ACOUSTIC POD	1	
39	911874	Melamine Foam	1	

WIRING DRAWING: DRW-32739 (620W/230V), DRW-32801 (620W/120V) & DRW-34066 (420W/230V)