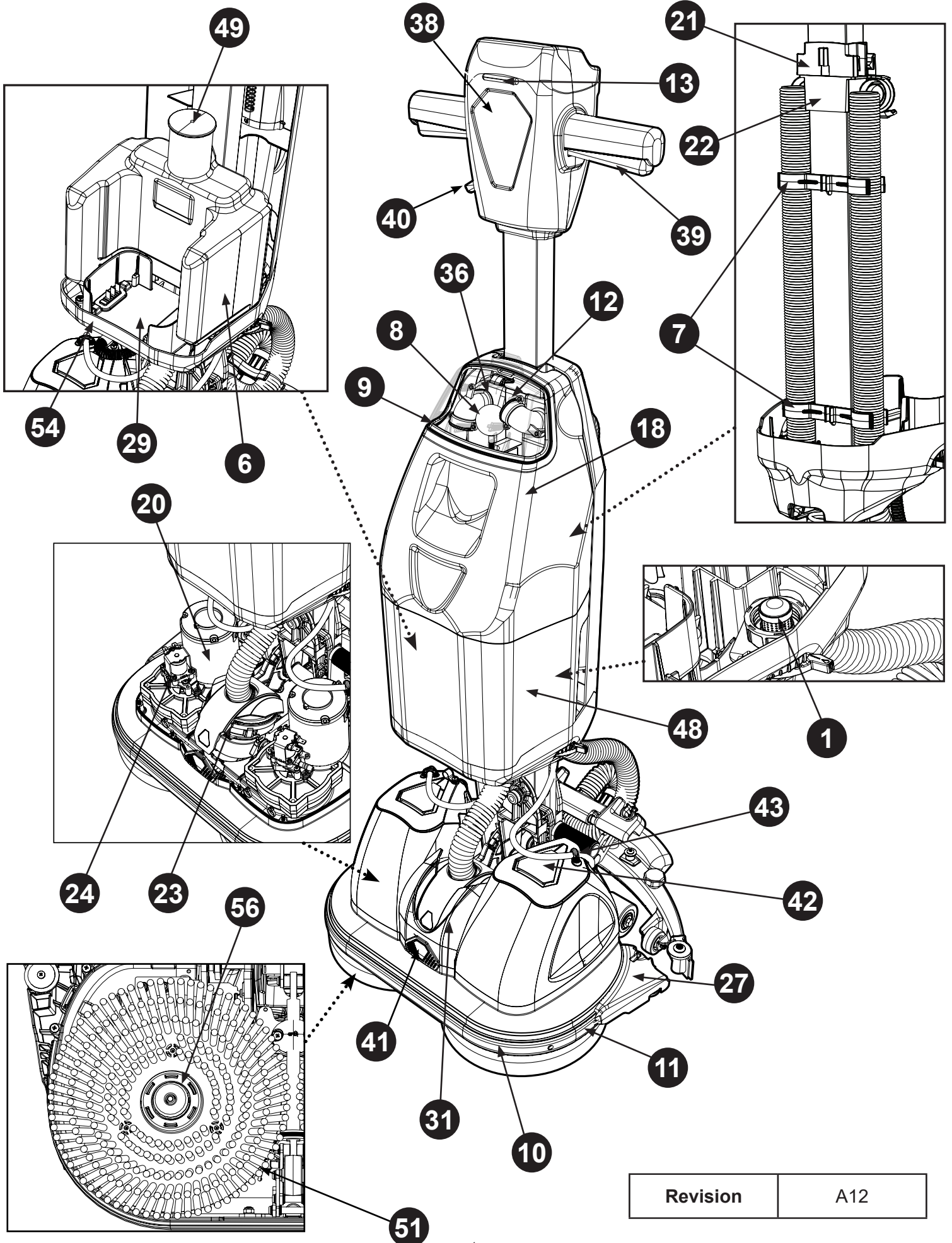
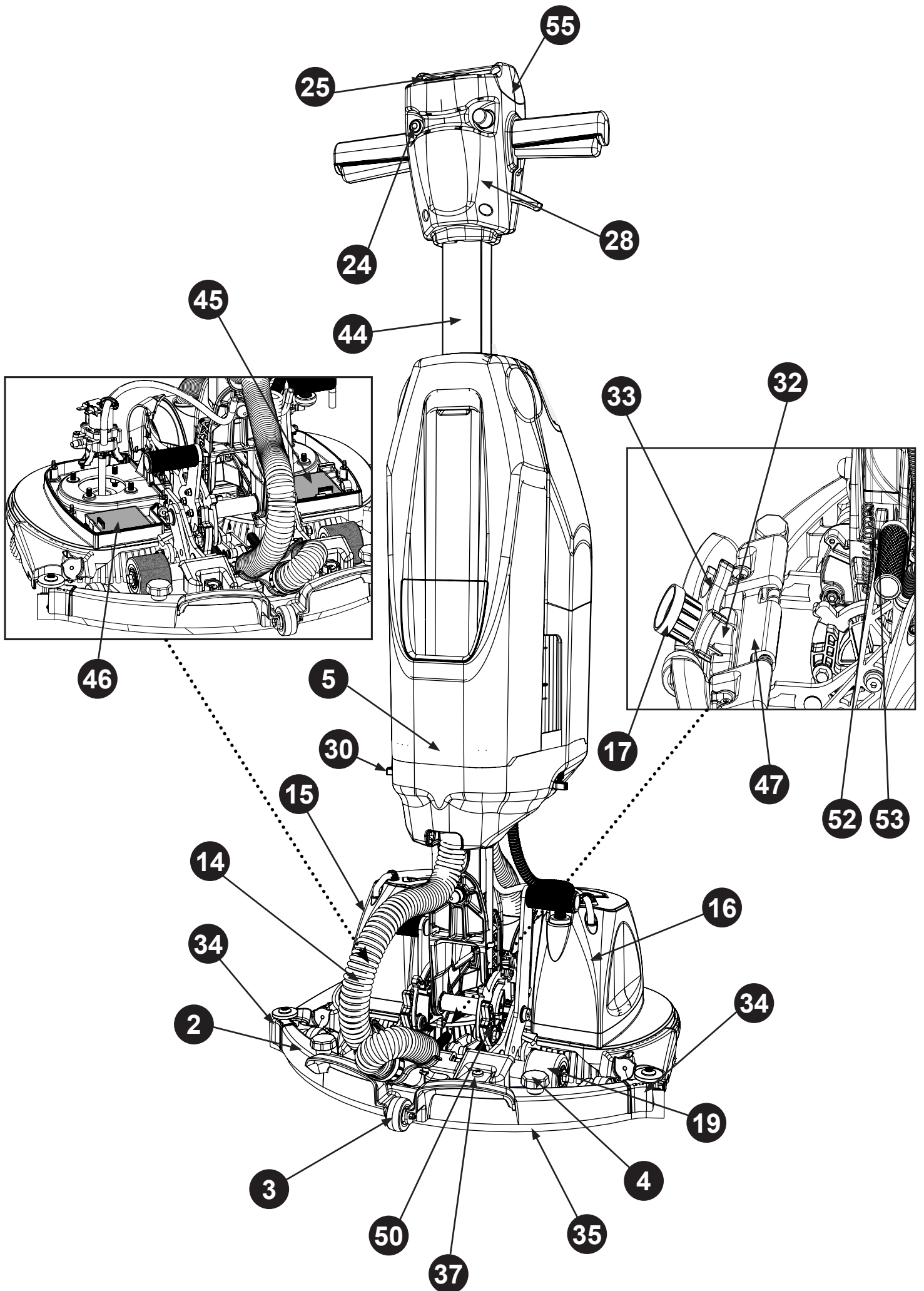


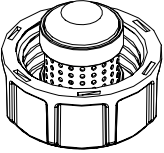
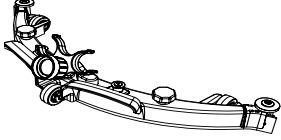
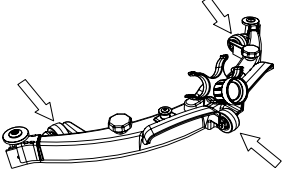
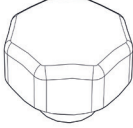
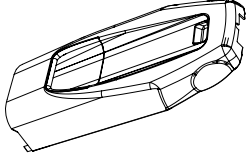
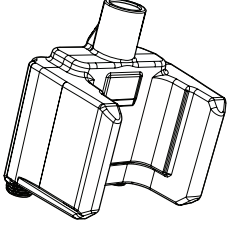
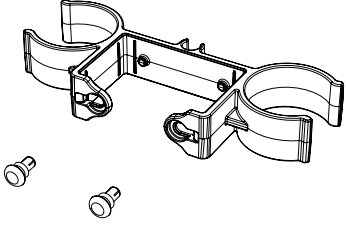
# 244NX / 244NX-R Exploded Spares

Compact and Cordless Scrubber Dryer

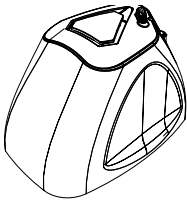
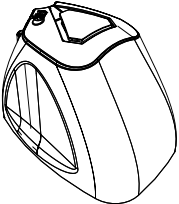
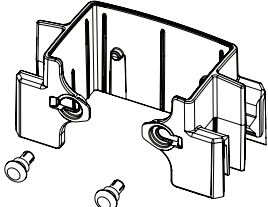


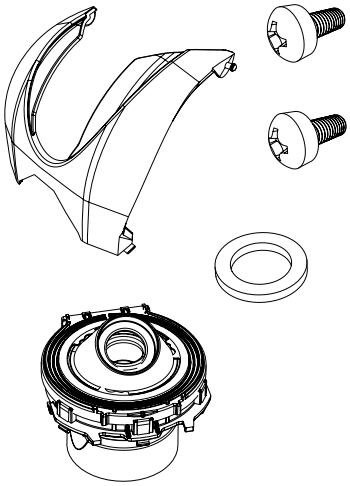
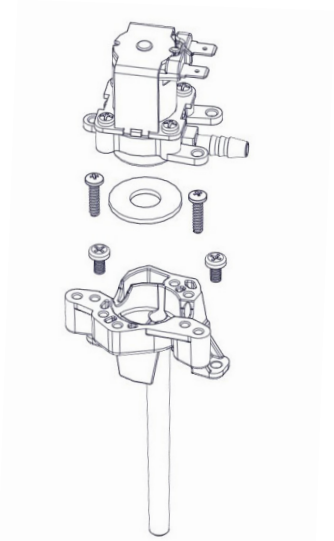
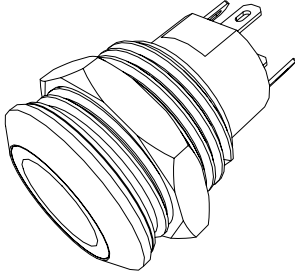
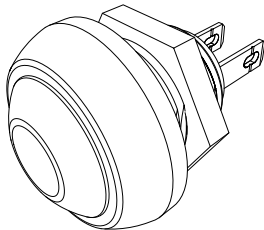
Revision	A12
----------	-----

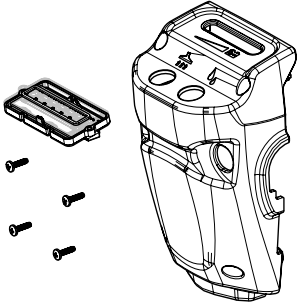


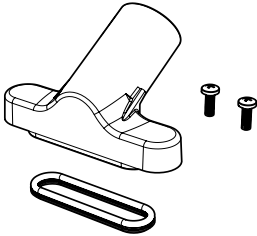
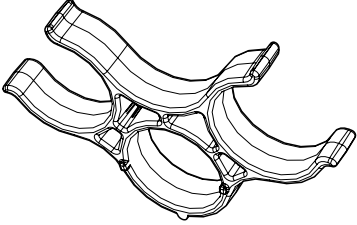
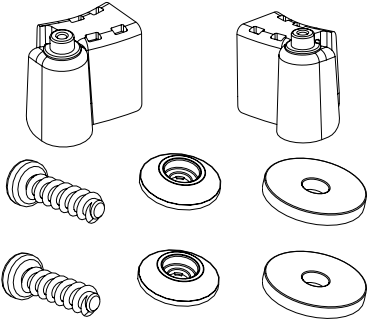
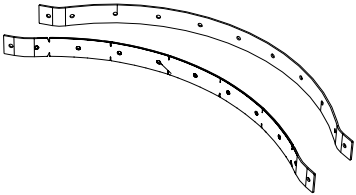
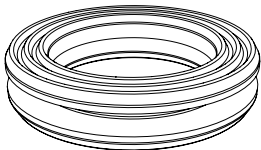
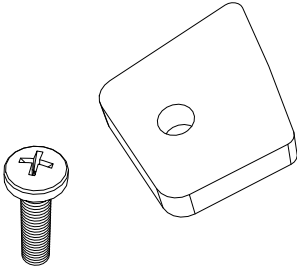
Item Number	Image Reference	Item Description	Part Number	Item Quantity
1		Clean Water Tank Valves	913829	2
2		NUC244NX Squeegee Assembly	913830	1
		NUC244NX-R Squeegee Assembly	918636	
3		Squeegee Wheel Set	913831	3
4		Squeegee Retaining Knob	913832	2
5		NUC244NX Rear Cover Assembly	913842	1
		NUC244NX-R Rear Cover Assembly	918654	
6		Clean Water Tank	913825	1
7		Dual Hose Clip	918074	1

Item Number	Image Reference	Item Description	Part Number	Item Quantity
8		Ball Shut Off Assembly	913835	1
9		Separator Assembly	913837	1
10		NUC244NX Deck Buffer Kit	913838	1
		NUC244NX-R Deck Buffer Kit	918654	
11		NUC244NX Trim Glide	913839	2
		NUC244NX-R Trim Glide	918656	
12		Port Filter Disc	913840	5
13		Handle Protection Strip	913841	2
14		Replacement Hose	913828	1

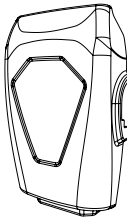
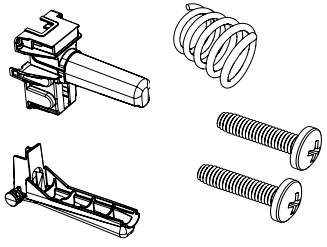
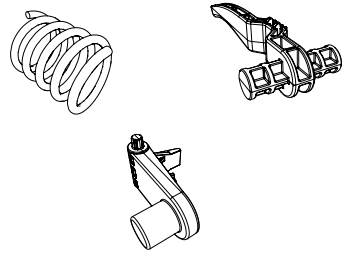
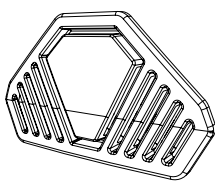
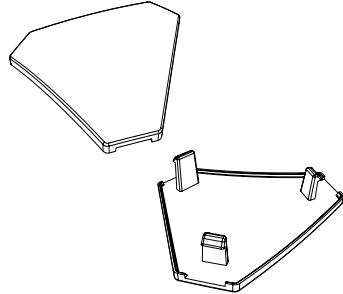
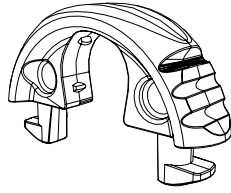
Item Number	Image Reference	Item Description	Part Number	Item Quantity
15		NUC244NX Left Motor Cover Moulding	913843	1
		NUC244NX-R Left Motor Cover Moulding	918646	
16		NUC244NX Right Motor Cover Moulding	913845	1
		NUC244NX-R Right Motor Cover Moulding	918647	
17		Hose Cuff	913846	1
18		NUC244NX Waste Water Tank Kit	913827	1
		NUC244NX-R Waste Water Tank Kit	918637	
19		Rear Wheel Kit	914004	2
20		Brush motor Kit (Left or Right)	913990	1
21		Tank Lock Clip	918060	1
22		Hose End Clip	918064	1

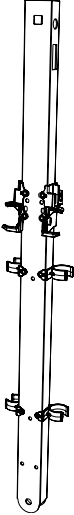
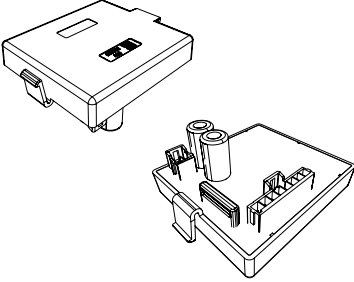
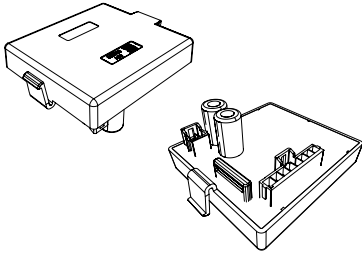
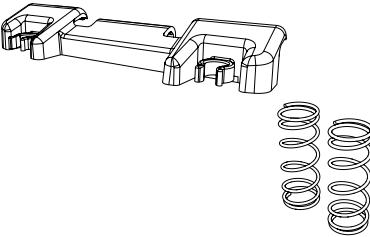
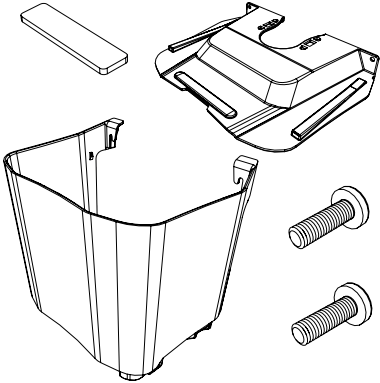
Item Number	Image Reference	Item Description	Part Number	Item Quantity
23		VAC Motor Kit	913992	1
24		Solenoid Kit (Left or Right)	913994	1
25		Handle VAC/Water Switch Kit	913996	1
26		Handle Safety Switch Kit	913998	1

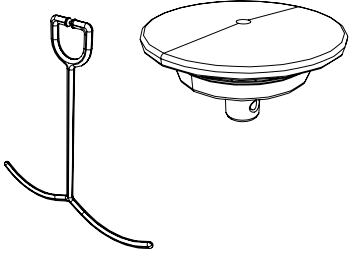
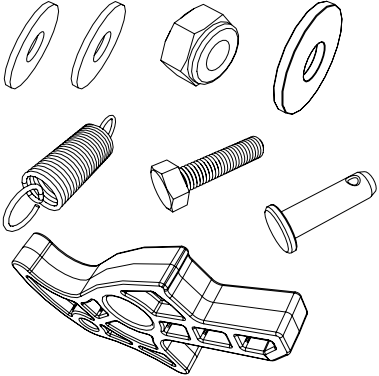
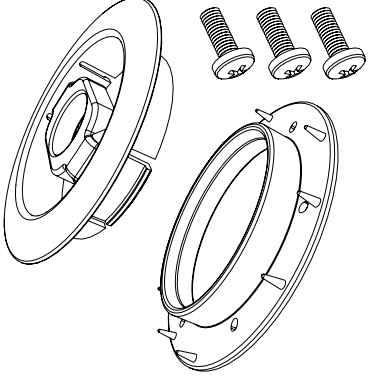
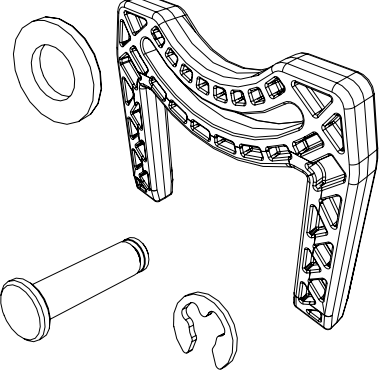
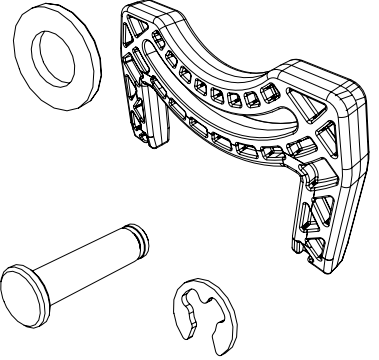
Item Number	Image Reference	Item Description	Part Number	Item Quantity
27		NUC244NX Deck Wing Kit	914000	1
		NUC244NX-R Deck Wing Kit	918638	
28		NUC244NX Handle PCB Kit	914006	1
		NUC244NX-R Handle PCB Kit	918639	
29		Battery/Control PCB Kit	914008	1
30		Tap Assembly Kit	914010	1
31		NUC244NX Center Cover Moulding	914002	1
		NUC244NX-R Center Cover Moulding	918765	

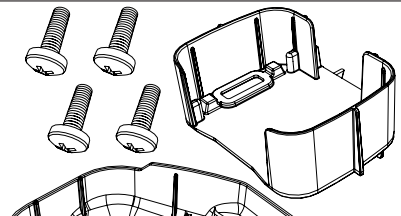
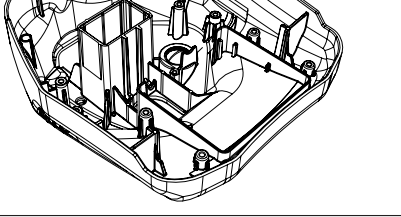
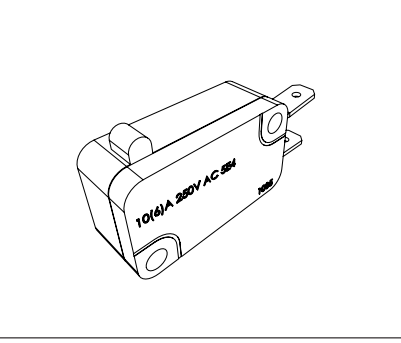
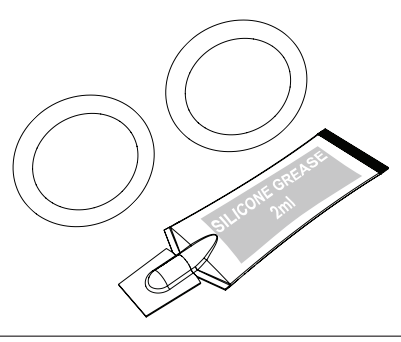
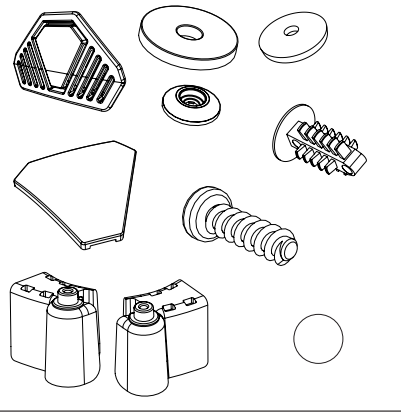
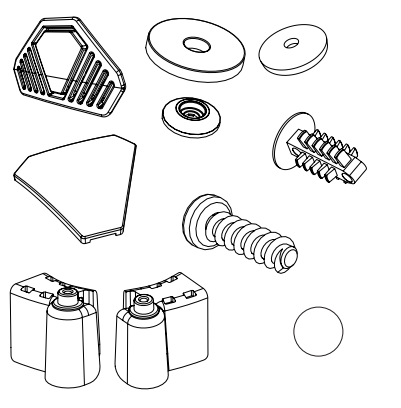
Item Number	Image Reference	Item Description	Part Number	Item Quantity
32		NUC244NX Floor Tool Trap Moulding Kit	914144	1
		NUC244NX-R Floor Tool Trap Moulding Kit	918648	
33		Floor Tool Trap Clip	914143	1
34		Floor Tool End Caps (Left or Right)	914145	1
35		Blade Set (Front & Rear)	913810	1
36		Gasket Seal	914741	4
37		Floor Tool Snap Plate	915857	2



Item Number	Image Reference	Item Description	Part Number	Item Quantity
38		NUC244NX Handle Front Cover Moulding	914445	1
		NUC244NX-R Handle Front Cover Moulding	918640	
39		NUC244NX Handle Grip and Trigger Kit	914457	1
		NUC244NX-R Handle Grip and Trigger Kit	918641	
40		Handle Adjust and Release Control Kit	914447	1
41		NUC244NX Grill Moulding Kit	914444	1
		NUC244NX-R Grill Moulding Kit	918649	
42		NUC244NX Motor Vent Cover Kit	914455	2
		NUC244NX-R Motor Vent Cover Kit	918650	
43		NUC244NX Replacement Tube Clip Kit	914452	4
		NUC244NX-R Replacement Tube Clip Kit	918651	

Item Number	Image Reference	Item Description	Part Number	Item Quantity
44		Handle Tube Kit	914463	1
45		Motor Controller Right Kit	914449	1
46		Motor Controller Left Kit	914451	1
47		NUC244NX Floor Tool Bracket Kit	914443	1
		NUC244NX-R Floor Tool Bracket Kit	918642	
48		NUC244NX Water Tank Support Kit	915562	1
		NUC244NX-R Water Tank Support Kit	918652	

Item Number	Image Reference	Item Description	Part Number	Item Quantity
49		Clean Water Tank Cap Kit	915563	1
50		Floor Tool Latching Kit	915585	2
51		Drive Board Padlock Clip with Clip Centre Moulding Kit	915564	1
52		Pitch Latch Kit	915575	1
53		Update Pitch Latch Kit (55mm Version)	918070	1

Item Number	Image Reference	Item Description	Part Number	Item Quantity
54		NUC244NX Battery and Base Support Moulding Kit	915576	1
		NUC244NX-R Battery and Base Support Moulding Kit	918653	
55		Snap Action Switch Kit	915577	2
56		O-Ring Kit	915735	1
57		Red Colour Coding Kit	915109	1
58		Blue Colour Coding Kit	915110	1

Item Number	Image Reference	Item Description	Part Number	Item Quantity
59		Green Colour Coding Kit	915111	1
60		Yellow Colour Coding Kit	915112	1
61		NUC244NX Maintenance Kit	916038	1
62		NUC244 Maintenance Kit (McDonalds)	916046	1

**EN**

Any maintenance operation is to be carried out in a safe environment  
All electrical work is to be carried out by a competent person  
Move tank assembly  
Retain all nuts, screws and washers for refitting (if applicable)

**DE**

Sämtliche Wartungsarbeiten sind in einer sicheren Umgebung durchzuführen  
Alle Elektroarbeiten sind durch eine entsprechend befähigte Person durchzuführen  
Bewahren Sie alle Muttern, Schrauben und Unterlegscheiben zum Wiedereinbau sicher auf (falls zutreffend)

**FR**

Toute opération d'entretien doit être effectuée dans un environnement sécurisé  
Tous travaux électriques doivent être assurés par du personnel qualifié uniquement  
Déplacez l'ensemble réservoir  
Conservez tous les écrous, vis et rondelles en vue d'un (éventuel) remplacement

**NL**

Alle onderhoudswerkzaamheden moeten worden uitgevoerd in een veilige omgeving  
Alle elektrische werkzaamheden moeten worden uitgevoerd door een bevoegd persoon  
Verplaats de hoofdtank  
Bewaar alle moeren, schroeven en sluitringen voor hermontage (indien van toepassing)

**PT**

Qualquer operação de manutenção deve realizar-se num ambiente seguro  
Todo o trabalho eléctrico deve ser realizado por um técnico qualificado  
Mover o depósito principal  
Guardar todas as porcas, parafusos e anilhas para reinstalar (se aplicável)

**IT**

Tutti gli interventi di manutenzione devono essere effettuati in un ambiente sicuro  
Tutti gli interventi elettrici devono essere effettuati da personale competente  
Spostamento del gruppo serbatoio  
Conservare tutti i dadi, le viti e le rondelle per il rimontaggio (se applicabile)

**ES**

Toda operación de mantenimiento debe realizarse en un entorno seguro  
Todo trabajo eléctrico debe ser realizado por una persona competente  
Mover el conjunto de depósito  
Guardar todas las tuercas, tornillos y arandelas para volver a colocarlos (si corresponde)

**PL**

Wszystkie czynności konserwacyjne należy wykonywać w bezpiecznym środowisku  
Wszelkie prace elektryczne powinna wykonywać osoba kompetentna  
Przesunąć zespół zbiornika  
Zachować wszystkie nakrętki, śruby i podkładki do ponownego montażu (jeżeli dotyczy)

**SV**

Alla former av underhåll ska utföras i en säker miljö  
Allt elektriskt arbete ska utföras av en behörig person  
Flytta tankenheten  
Behåll alla muttrar, skruvar och brickor för reparation (om det är tillämpligt)

**FI**

Kaikki huoltotoimenpiteet on suoritettava turvallisessa ympäristössä  
Ammattitaitoisen henkilön on tehtävä kaikki sähkötyöt  
Siirrä säiliöyksikkö  
Säilytä kaikki mutterit, ruuvit ja prikat asennusta varten (jos käyttökelpoisia)

**DA**

Alla former av underhåll ska utföras i en säker miljö  
Allt elektriskt arbete ska utföras av en behörig person  
Flytta tankenheten  
Behåll alla muttrar, skruvar och brickor för reparation (om det är tillämpligt)



For videos and help  
scan the QR code.

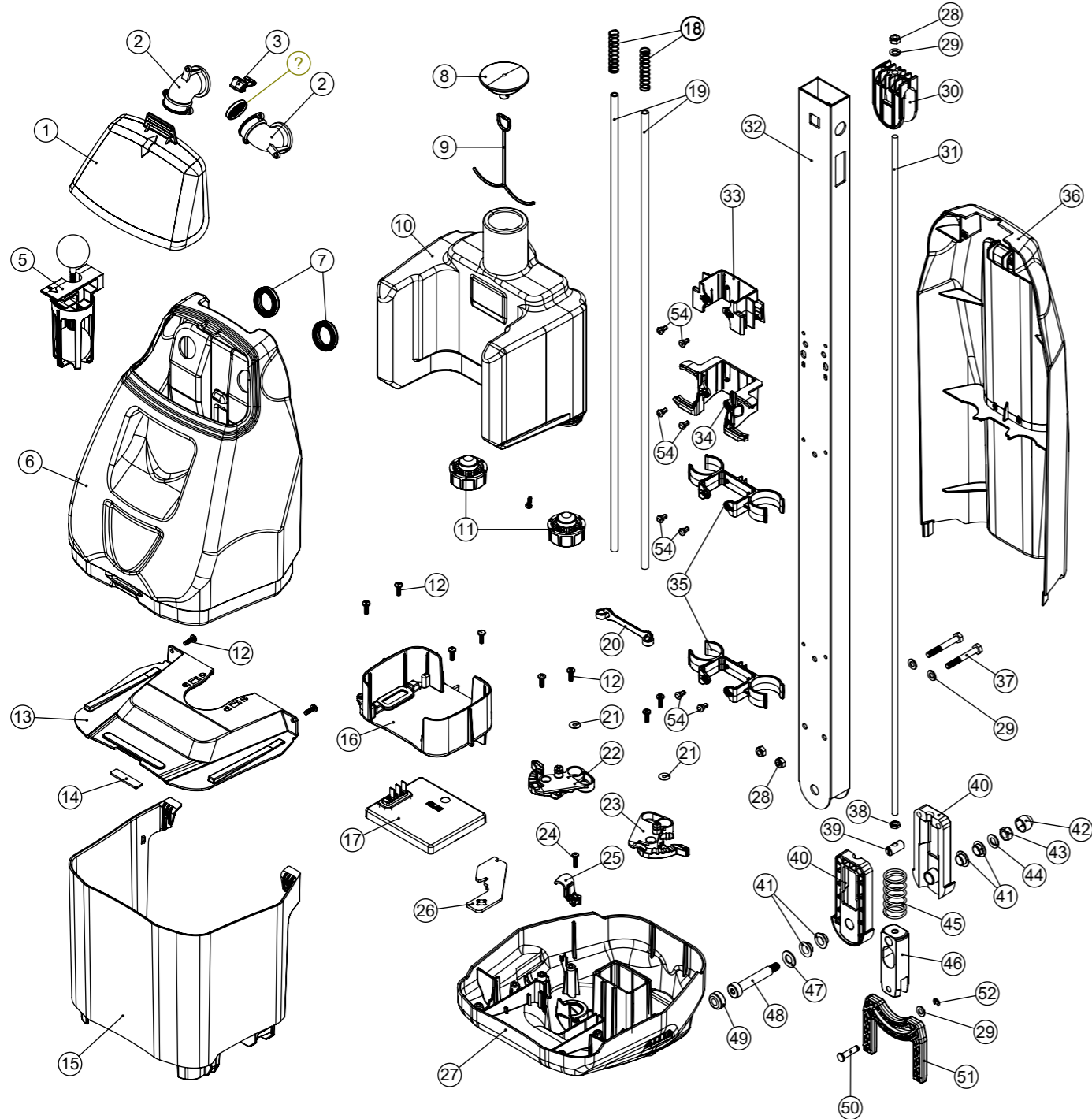


# Numatic International Spare Parts

**Model No:** MID SECTION ASSEMBLY EXPLODED DRAWING

NB: FOR WIRING SEE DRAWING: DRW-32894

911919  
DRAWING: DRW-31385 ISS:A15  
24/07/2023



# Numatic International Spare Parts

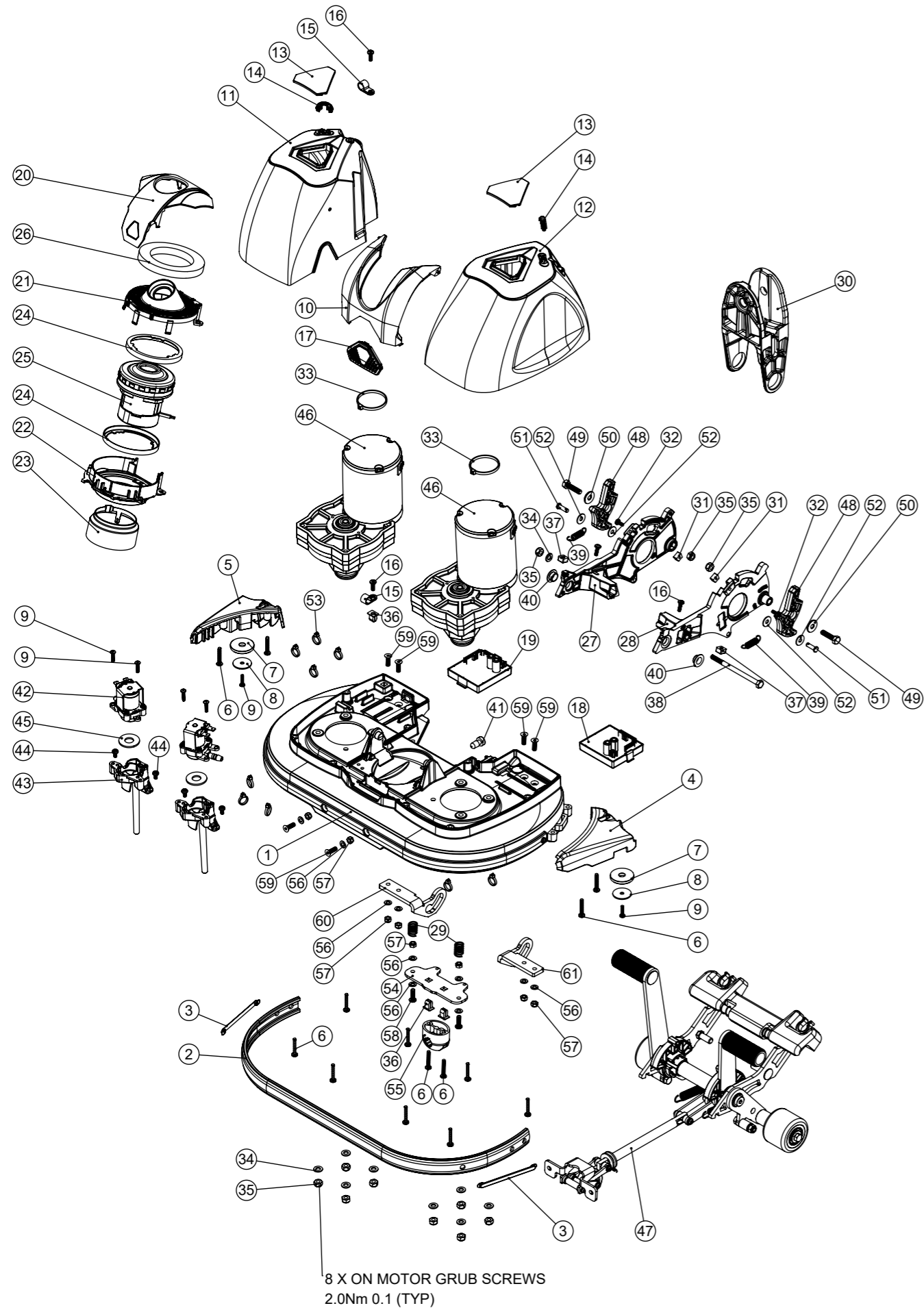
**Model No:** MID SECTION ASSEMBLY EXPLODED DRAWING

ITEM:	PART No:	Description	Comments	QTY.
1		CSD P5 SEPARATOR MOULDING AND SEAL OVERMOULD		1
2	911502	SEPARATOR PORT MOULDING		2
3		SPRING LATCH MOULDING		1
4	911286	PORT FILTER DISC		1
5	911798	BALL SHUT OFF ASSEMBLY		1
6	911499	WASTE TANK P5 SHELL WITH LUGS BLOW MOULDING		1
7	911282	GASKET SEAL RING MOULDING		2
8	911280	CAP BUNG WITH VENT HOLE MOULDING		1
9	911281	TETHER MOULDING		1
10	911500	CSD P5 CLEAN TANK BLOW MOULDING		1
11	911815	CHECK VALVE TANK COUPLING		2
12	219569	No8 X 1/2 INCH LONG POZI PAN STAINLESS STEEL PLASTITE SCREW	1.6Nm ± 0.1	10
13	911534	WT SHELF MOULDING		1
14	911786	FOAM PAD 40 X 10 X 2MM		1
15	913483	WT SUPPORT MOULDING PRINTED NUMATIC 244NX		1
16	911537	BATTERY SUPPORT MOULDING		1
17	910930	CSD CONTROL PCB ASSEMBLY		1
18	219326	50MM LONG COMPRESSION SPRING		2
19	913691	CLEAR SILICONE TUBE 5MM ID X 8MM OD X 608MM LONG		2
20	913695	HOSE RETAINER		1
21	907391	M4 A2 S/ST FLAT WASHER DIN9021 (REF: WAWSFM400X500)		2
22	912597	FC VALVE LEFT		1
23	912596	FC VALVE RIGHT		1
24	N/A	NO6.5/8 INCH LG.POZI-PAN.SCREW.STAINLESS STEEL.PLASTITE	1.6Nm ± 0.1	1
25	911272	WIRE CLAMP MOULDING		1
26	913062	RETAINER PLATE		1
27	913661	NUC HANDLE BASE MOULDING PRINTED WATER FLOW		1
28	219642	M6 STAINLESS STEEL NYLON INSERT NUT		3
29	219870	M6 FORM A WASHER STAINLESS STEEL		4
30	910730	HANDLE RELEASE SLIDER		1
31	910882	HANDLE LOCKING ROD		1
32	912443	HANDLE TUBE PAINTED SILVER		1
33	915815	TANK LOCK HOUSING WRAP-AROUND MOULDING		1
34	915816	HOSE END WRAP-AROUND MOULDING		1
35	913719	DUAL HOSE CLIP WRAP AROUND MOULDING		2
36	918645	Abdeckung hinten Reflo (NUC)		1
37	219896	M6 X 45MM LONG HEXAGONAL STAINLESS STEEL BOLT		2
38	219099	M6 HALF NUT		1
39	911814	M6 X 20MM CROSS DOWEL BARREL NUT Z/PL		1
40	910715	HANDLE PIVOT MOULDING		2
41	208330	IGUS BEARING (GFM 101206)		4
42	903260	M8 BOLT AND NUT CAP		1
43	219639	M8 STAINLESS STEEL NYLON INSERT NUT		1
44	219578	M8 FORM A STAINLESS STEEL WASHER		1
45	208782	SPRING (C5517490)		1
46	910881	ROLL LATCH		1
47	219903	M10 FORM A STAINLESS STEEL WASHER		1
48	208333	M8 X 10 X 50MM LONG HEX SOCKET SHOULDER BOLT	10.0Nm ± 1.0	1
49	237632	SHOULDER BOLT COVER		1
50	912703	6MM X 22MM S/S CLEVIS PIN WITH E-CLIP GROOVE		1
51	910714	PITCH LATCH		1
52	912704	E-CLIP RSM0040 DIN 6799		1
53	914668	No.6 X 3/8 A2 S/ST PZ PAN HD S/TAPPER SCREW (TYPE B FLAT END) DIN7981-F		1
54	913357	BLACK UL94 V-0 NYLON ROUND SNAP PUSH-IN RIVET SRVO-4060B		8

**Numatic International Spare Parts**  
**BASE ASSEMBLY 170MM YOKE**  
**Model No: EXPLODED DRAWING**

917288  
 DRAWING: DRW-41767 ISS:A01  
 13/07/2023

NB: FOR WIRING SEE DRAWING: DRW-34941



**Numatic International Spare Parts**  
**Model No: BASE ASSEMBLY 170MM YOKE EXPLODED DRAWING**

ITEM NO.	PART NO.	DESCRIPTION	COMMENTS	QTY.
1	913889	NUC DECK CASTING PROCESSED PAINTED SILVER		1
2	911003	TRIM EXTRUSION		1
3	913007	NUC TRIM GLIDE MOULDING (GREY)		2
4	911262	RIGHT DECK WING MOULDING		1
5	911263	LEFT DECK WING MOULDING		1
6	219369	No8 X 1 INCH LONG POZI PAN STAINLESS STEEL PLASTITE SCREW	TORQUE TO 2.6Nm	14
7	237266	BUFFER WHEEL		2
8	219930	M5 X 25MM X 1.5MM THICK A4 STAINLESS STEEL PENNY WASHER	TORQUE TO 8.5Nm	2
9	219914	NO6.5/8 INCH LG.POZI-PAN.SCREW.STAINLESS STEEL.PLASTITE	TORQUE TO 1.6Nm * 2.6Nm on Solenoid	6
10	911777	CENTRE COVER MOULDING		1
11	911778	LEFT MOTOR COVER MOULDING		1
12	911779	RIGHT MOTOR COVER MOULDING		1
13	911370	VENT CAP MOULDING		2
14	911800	TUBE CLIP MOULDING		2
15	219393	P CLIP		2
16	219569	No8 X 1/2 INCH LONG POZI PAN STAINLESS STEEL PLASTITE SCREW	TORQUE TO 2.6Nm	4
17	911369	GRILL MOULDING		1
18	910280	36V BLDC MOTOR CONTROLLER (CLOCKWISE) (RIGHT)	(RIGHT)	1
19	910361	36V BLDC MOTOR CONTROLLER (COUNTER CLOCKWISE) (LEFT)	(LEFT)	1
20	917511	Abdeckung für Saugmotor schwarz (NUC244NX-R)		1
21	911328	VAC TOP SECTION MOULDING		1
22	911330	VAC MIDDLE SECTION MOULDING		1
23	911329	VAC BOTTOM SECTION MOULDING		1
24	911339	VAC GASKET		2
25	910622	CINDERSON B74-LS4015010K-021 100W VAC MOTOR		1
26	911687	FOAM PAD DISC		1
27	913289	NUC LEFT DECK LINK ARM CASTING MACHINED HOLE		1
28	913290	NUC RIGHT DECK LINK ARM CASTING MACHINED HOLE		1
29	219803	TRIGGER COMPRESSION SPRING		2
30	916678	YOKE - 170MM		1
31	913286	HANDLE POSITION STOP BLOCK		2
32	291041	NO.6 3/8 INCH LG.POZI-PAN.SCREW.Z/PL/PLASTITE.BLACKODISED	TORQUE TO 1.6Nm	2
33	220138	BLACK CABLE TIE		2
34	219870	M6 FORM A WASHER STAINLESS STEEL		9
35	219642	M6 STAINLESS STEEL NYLON INSERT NUT		11
36	900986	NYLON GROMMET NUT (PLASTIC INSERT TO SUIT No 8 PLASTITE SCREW)		3
37	911260	SCREW BLOCK		2
38	291021	M6 X 90MM LONG STAINLESS STEEL HEXAGONAL HEAD BOLT	TORQUE TO 8.5Nm	1
39	914094	EXTENSION SPRING (32MM)		2
40	208330	IGUS BEARING (GFM 101206)		2
41	913206	BLIND GROMMET (G10-RB62-50-00S)		1
42	911208	FCD360B-DC24V MEISHUO SOLENOID VALVE		2
43	911523	SOLENOID CONNECTOR DOWNPIPE MOULDING		2
44	219697	M4 X 8MM LONG POZI PAN STAINLESS STEEL SCREW		4
45	913408	2MM NEOPRENE CLOSED CELL DISC		2
46	911807	BRUSH MOTOR SUB ASSEMBLY		2
47	913365	SQUEEGEE AND LIFTING MECHANISM ASSEMBLY		1
48	910717	NUC FLOOR TOOL LATCH (BLACK)		2
49	219925	M6 x 25MM LONG STAINLESS STEEL HEX SCREW		2
50	219647	M6 FORM G STAINLESS STEEL WASHER		2
51	904922	CLEVIS PIN 3/16 x 5/8 STAINLESS STEEL		2
52	219644	M5 FORM G STAINLESS STEEL WASHER		4
53	220844	WHITE CABLE TIE		9
54	913248	BEARING MOUNTING PLATE		1
55	913213	RJUMP-05-12 - IGUS - DRYLIN® RJUMP SPLIT HOUSING		1
56	219355	M5 FORM A STAINLESS STEEL WASHER		10
57	219633	M5 STAINLESS STEEL NYLON INSERT NUT		8
58	219785	M5 X 16MM LONG BUTTON HEAD STAINLESS STEEL SCREW	TORQUE TO 3.5Nm	2
59	913215	M5 X 16MM SOCKET COUNTERSUNK SCREW STAINLESS STEEL	TORQUE TO 3.5Nm	6
60	913347	LATCH PLATE R/H		1
61	913348	LATCH PLATE L/H		1