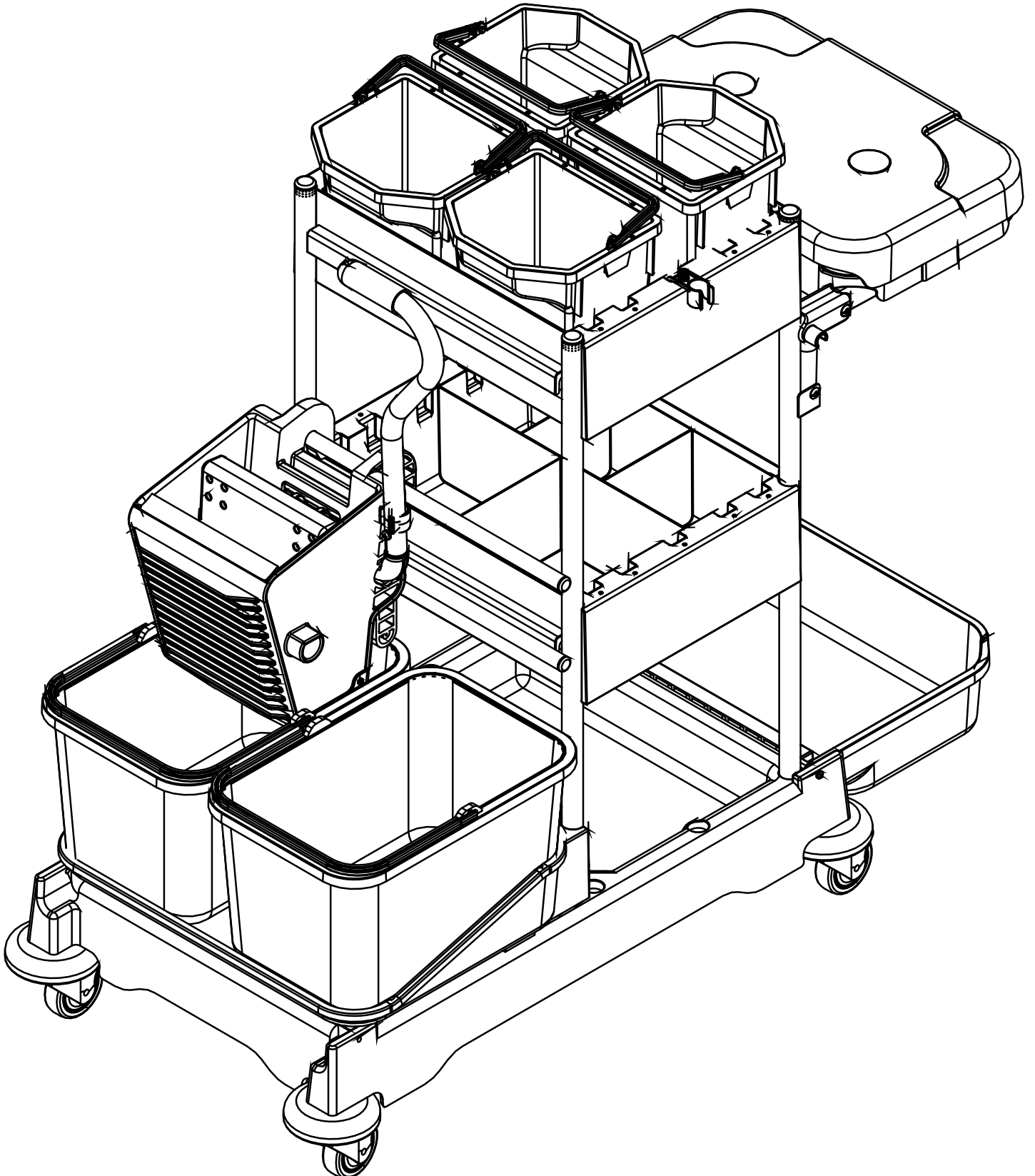
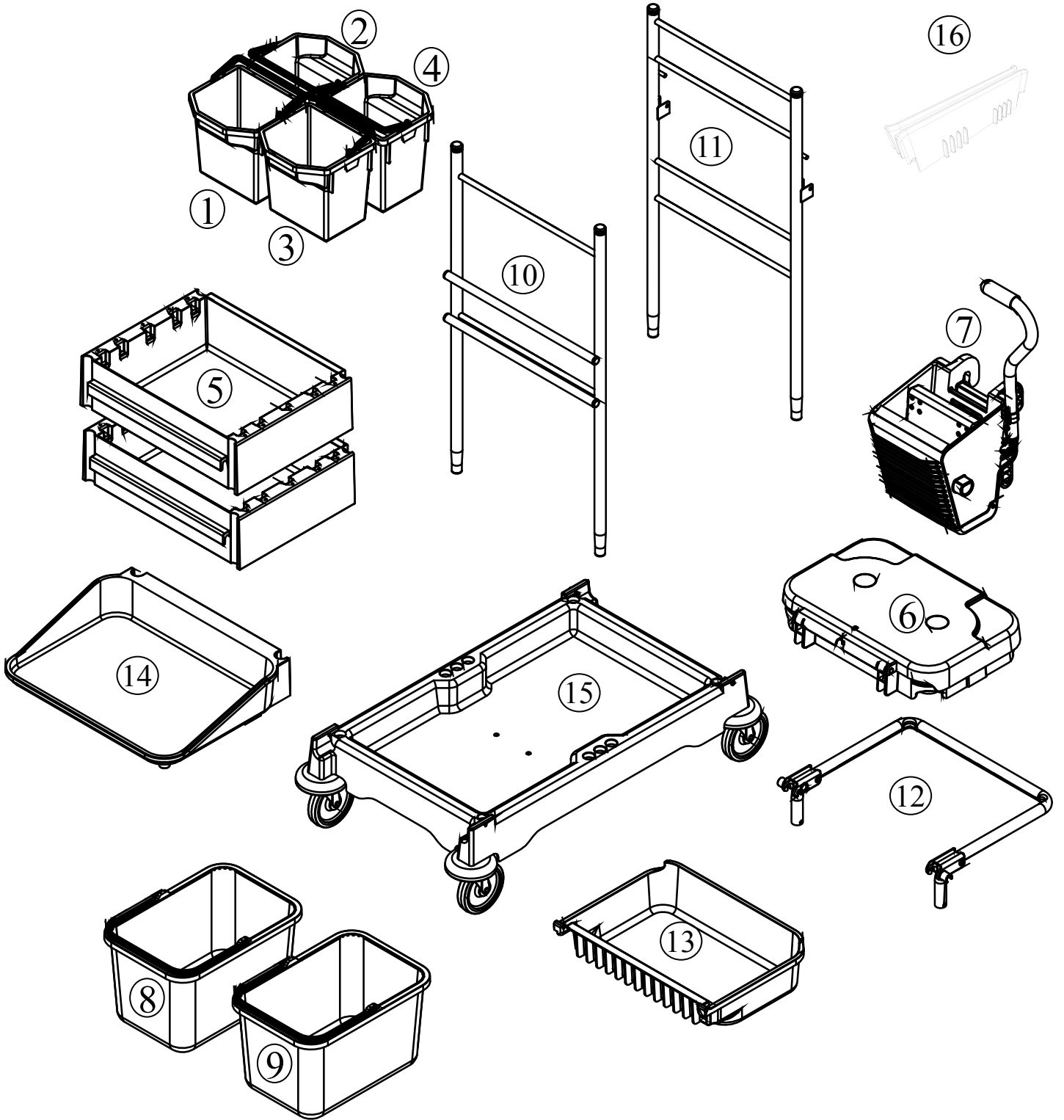


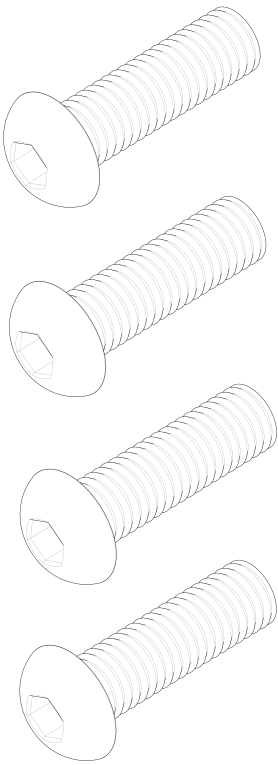
# NPT 1605 (GRAPHITE GREY)



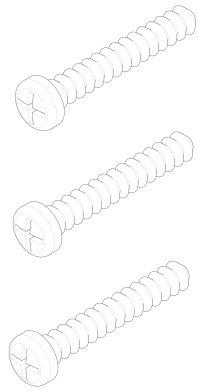


ITEM	PART	DESCRIPTION	QTY
1	628001	5 LTR PAIL RED	1
2	628002	5 LTR PAIL BLUE	1
3	628003	5 LTR PAIL GREEN	1
4	628004	5 LTR PAIL YELLOW	1
5	223614	PLAIN TRAY	2
6	339649	LIDSET	1
7	518181	MOPPRESS	1
8	628102	17 LTR PAIL RED	1
9	628103	17 LTR PAIL BLUE	1
10	338650	FRONT UPRIGHT (S/STEEL)	1
11	338652	REAR UPRIGHT (S/STEEL)	1
12	338281	LID SUPPORT FRAME (S/STEEL)	1
13	223616	BAG TRAY	1
14	223613	BUCKET TRAY	1
15	328154	BASE	1
16	223618	BAG FRAME INSERT	1
—	629445	REPLACEMENT 120LTR WASTE SACKS	1 X 10
—	629444	REPLACEMENT 70LTR WASTE SACKS	1 X 10

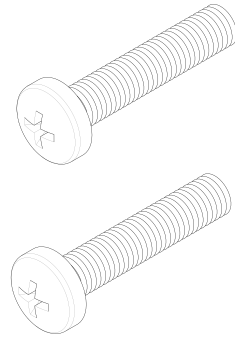
291067



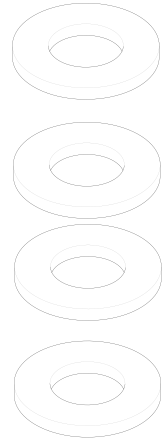
291065



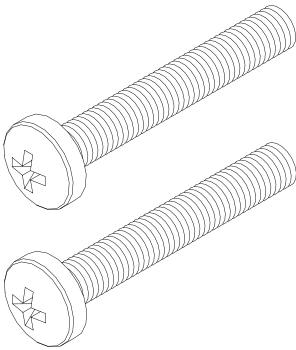
219571



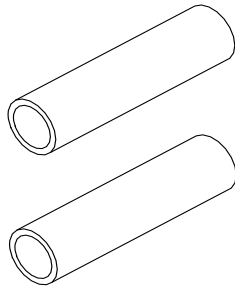
291068



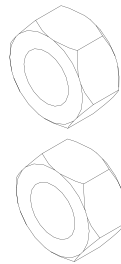
219982



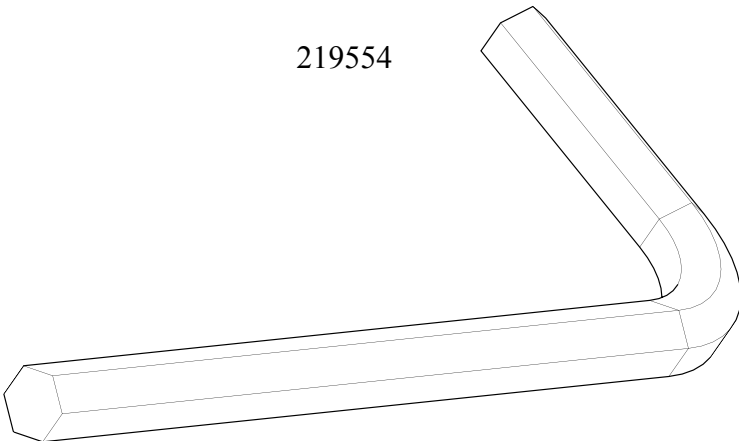
208714



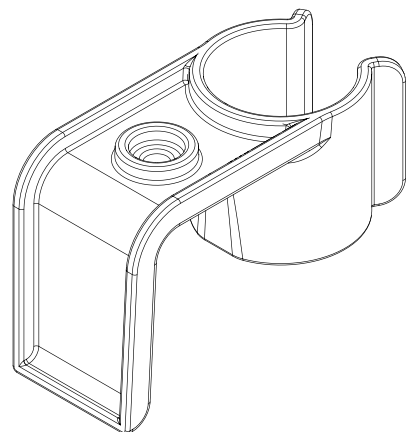
219983



219554

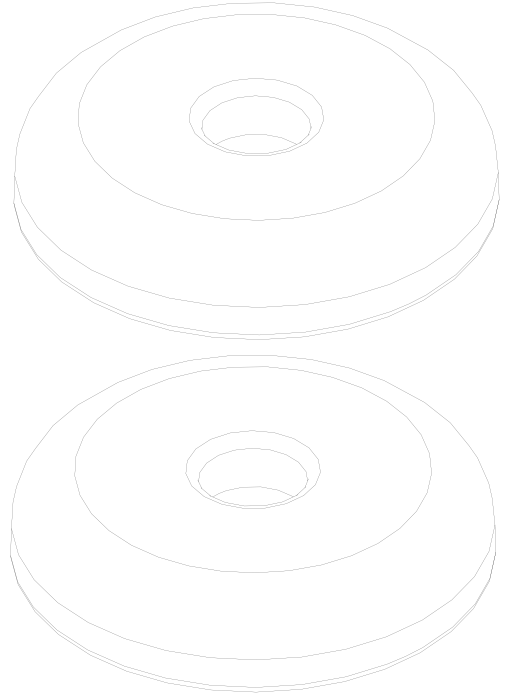
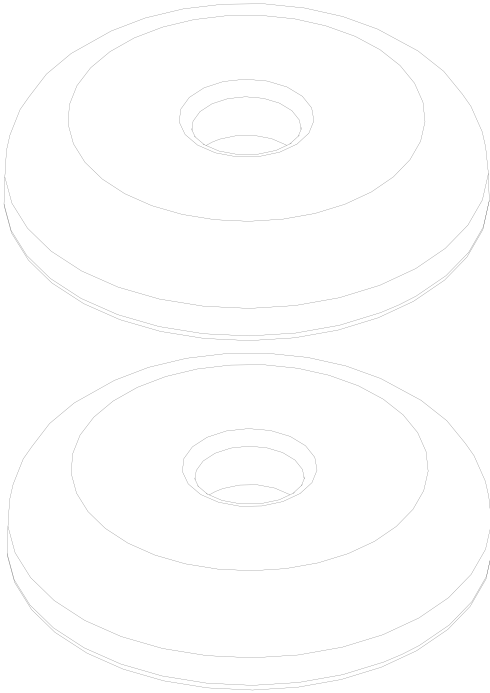


223348

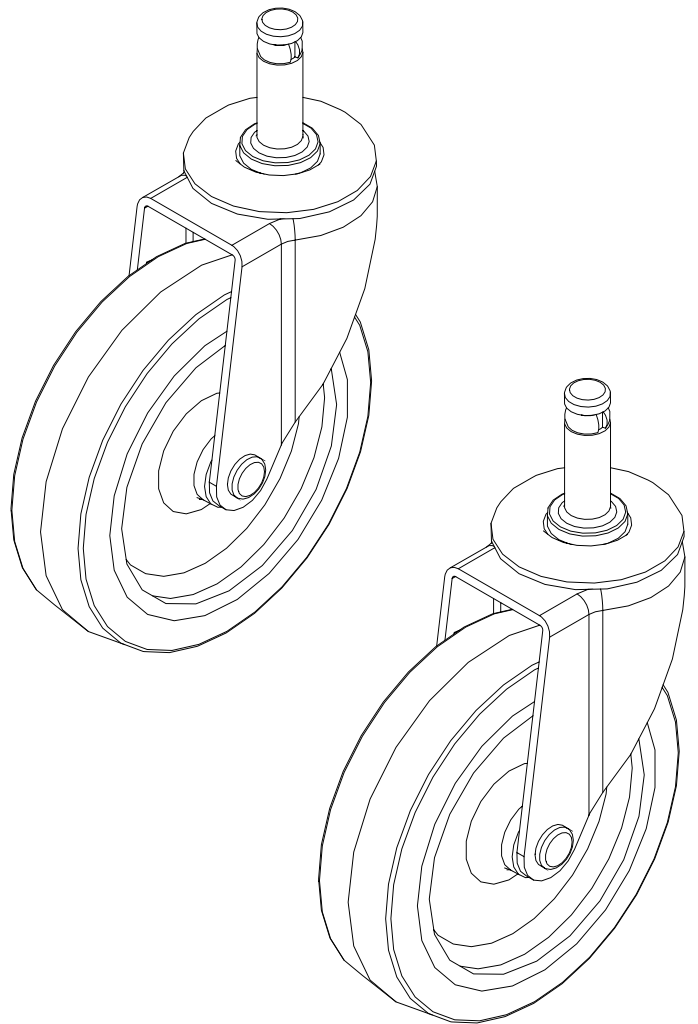
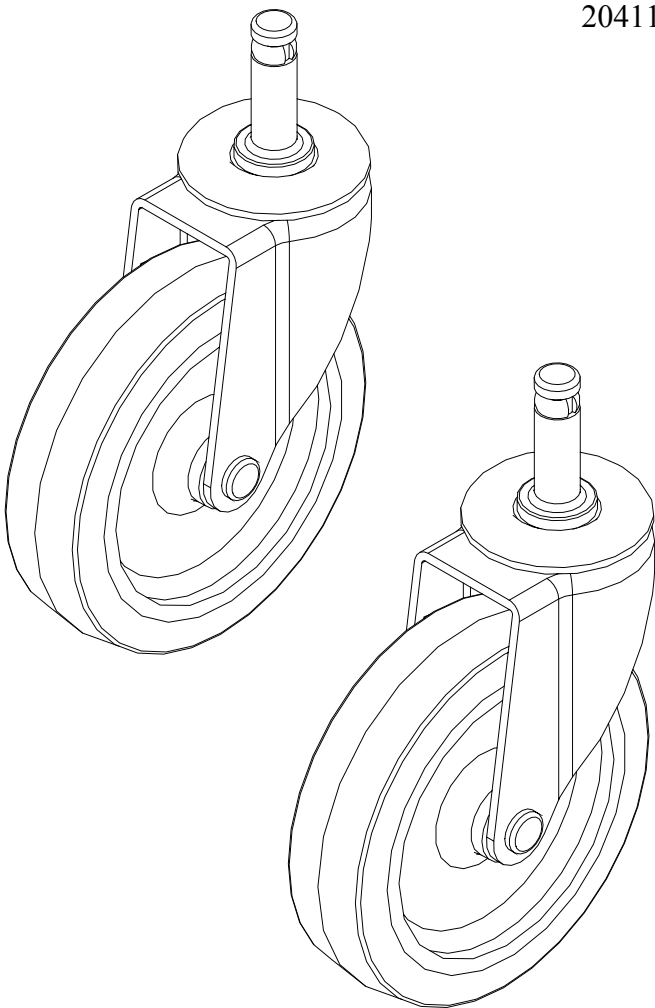


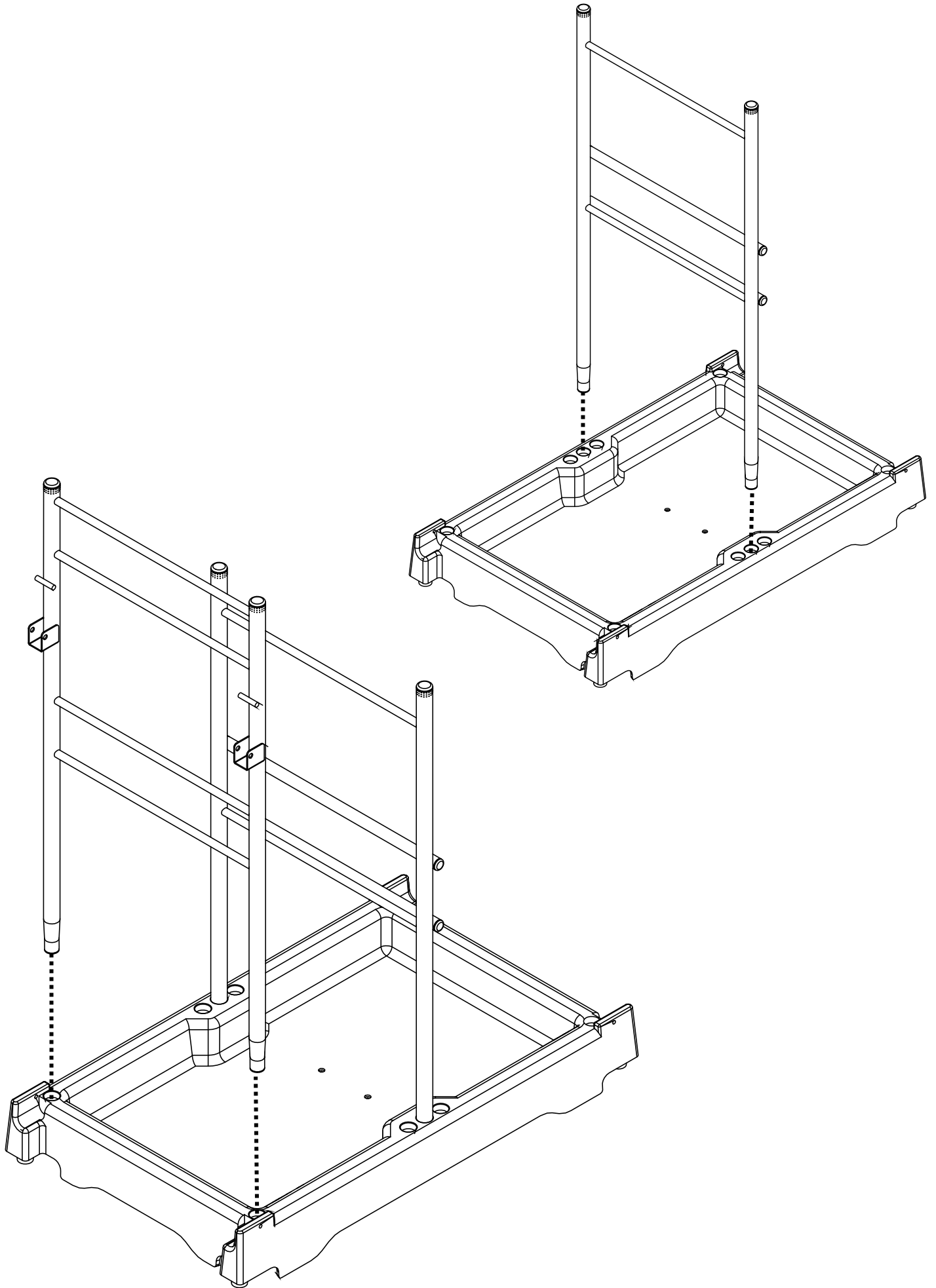


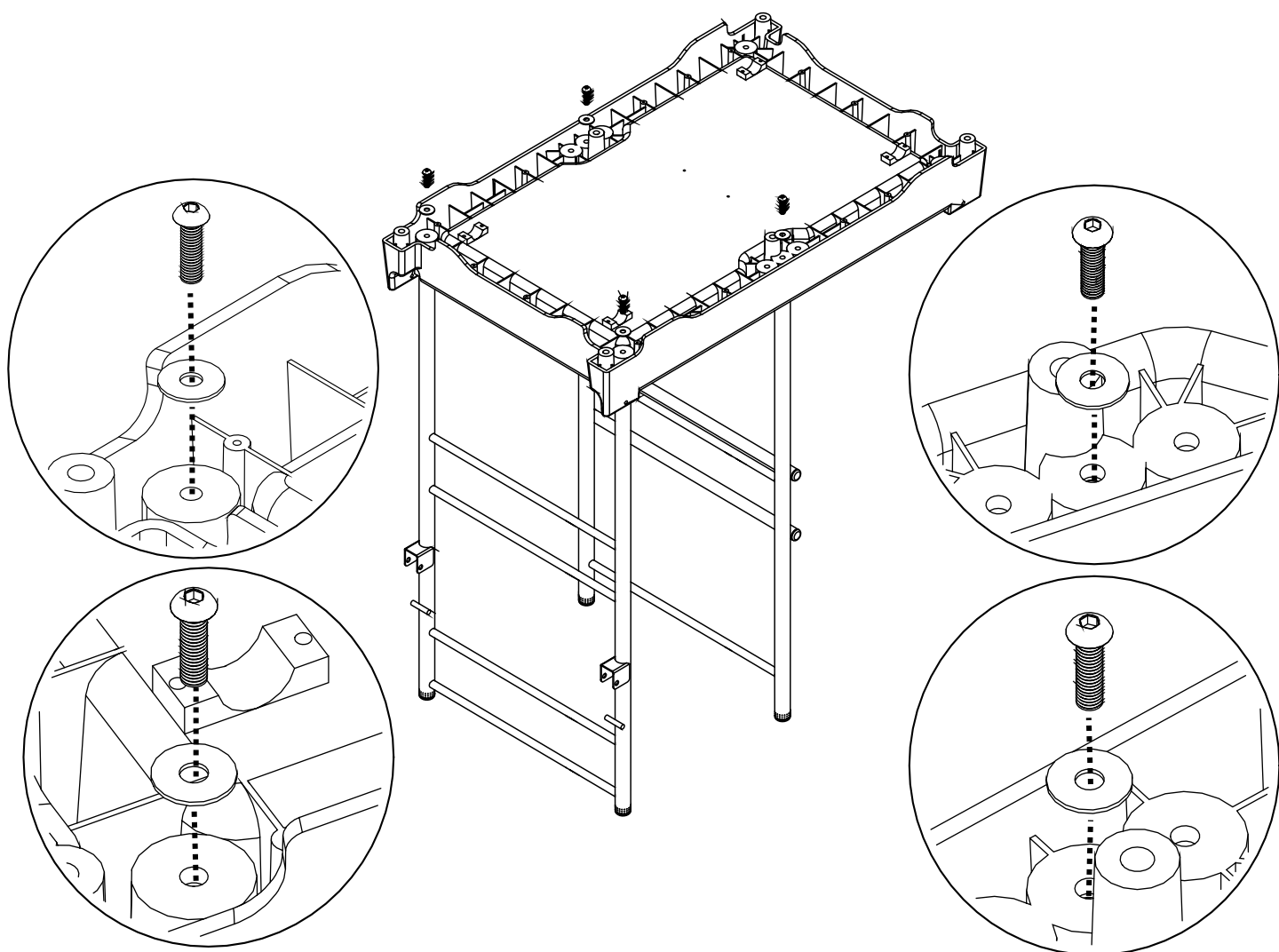
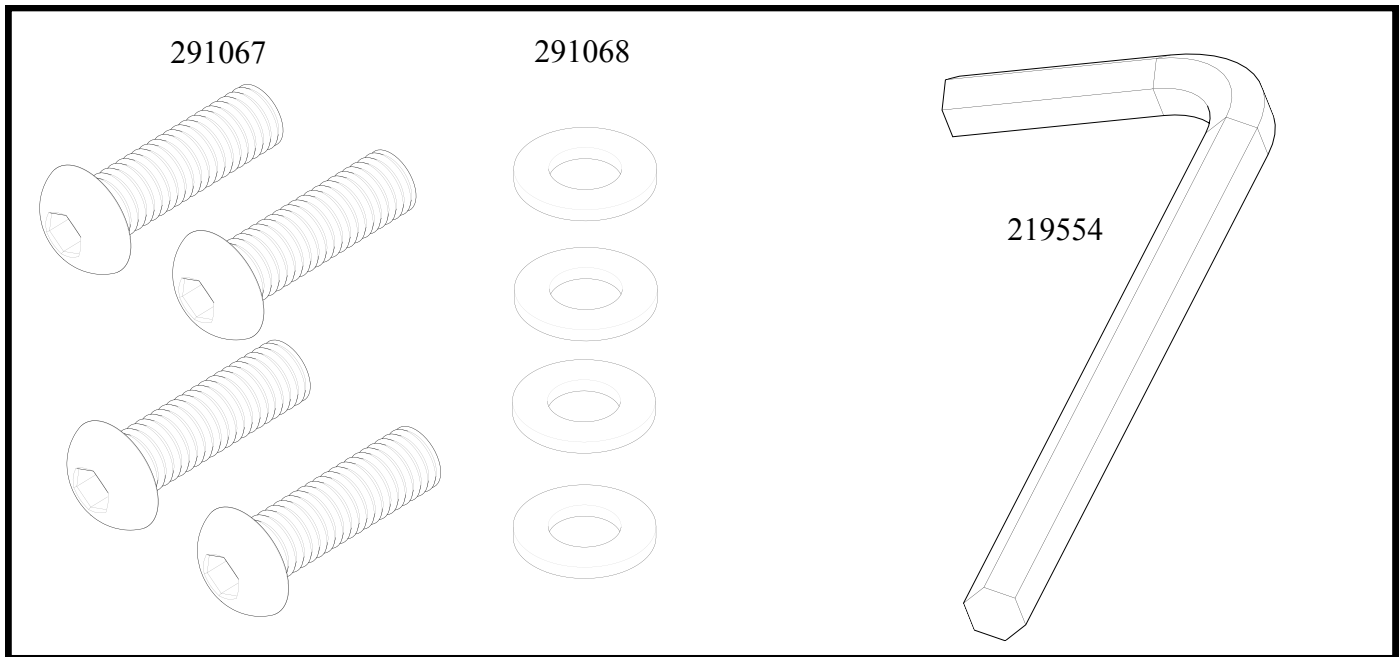
227479



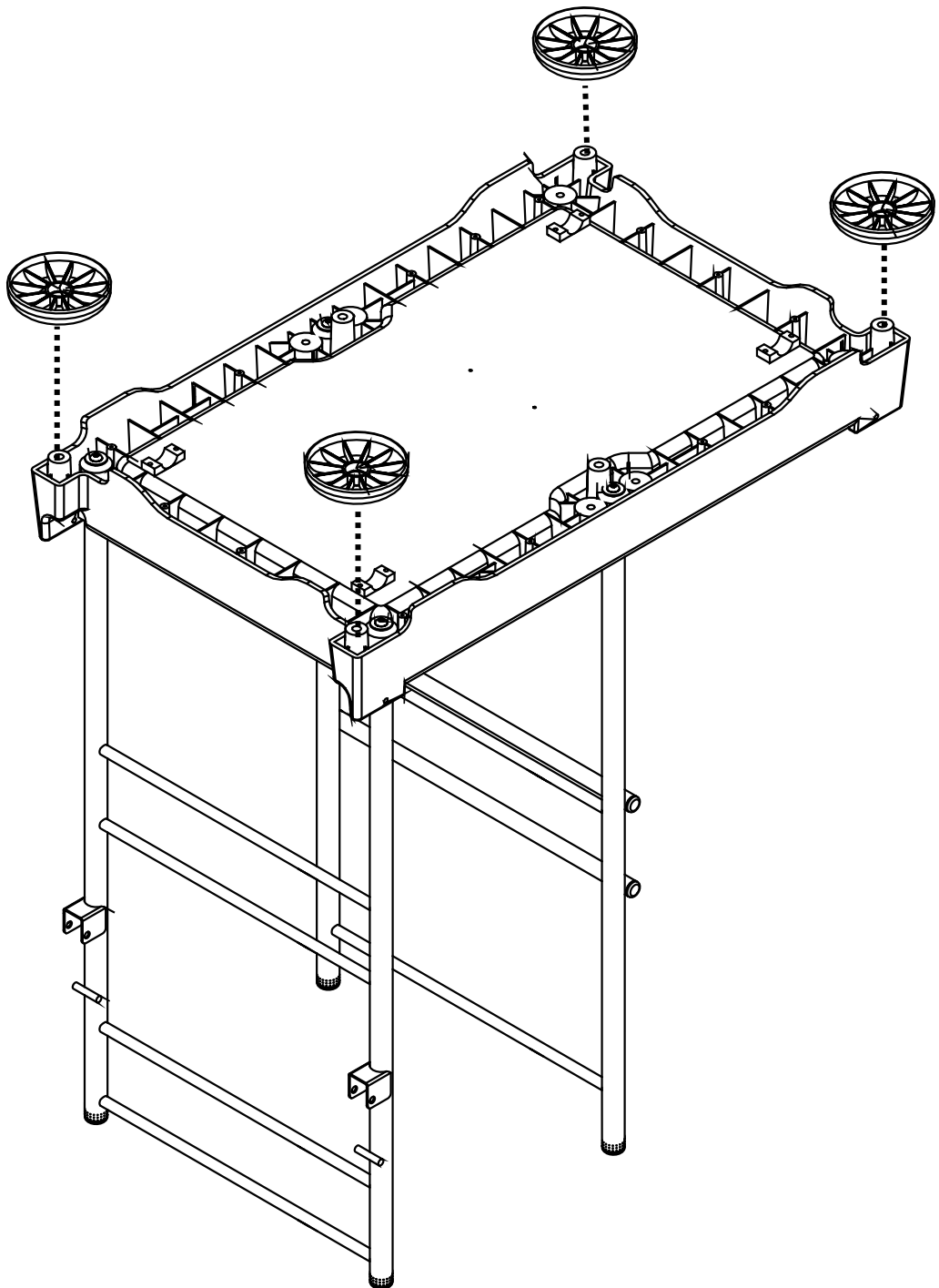
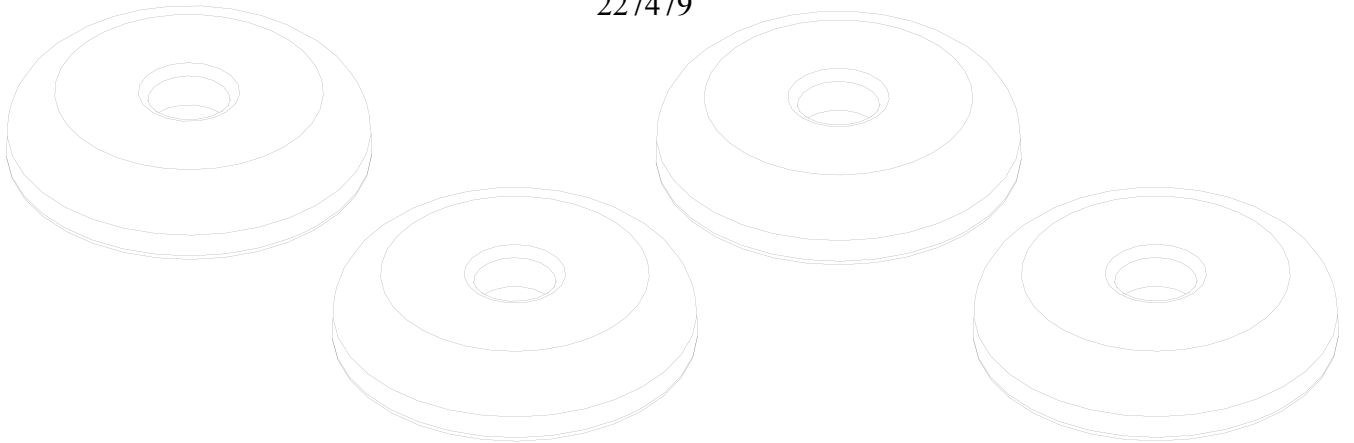
204113



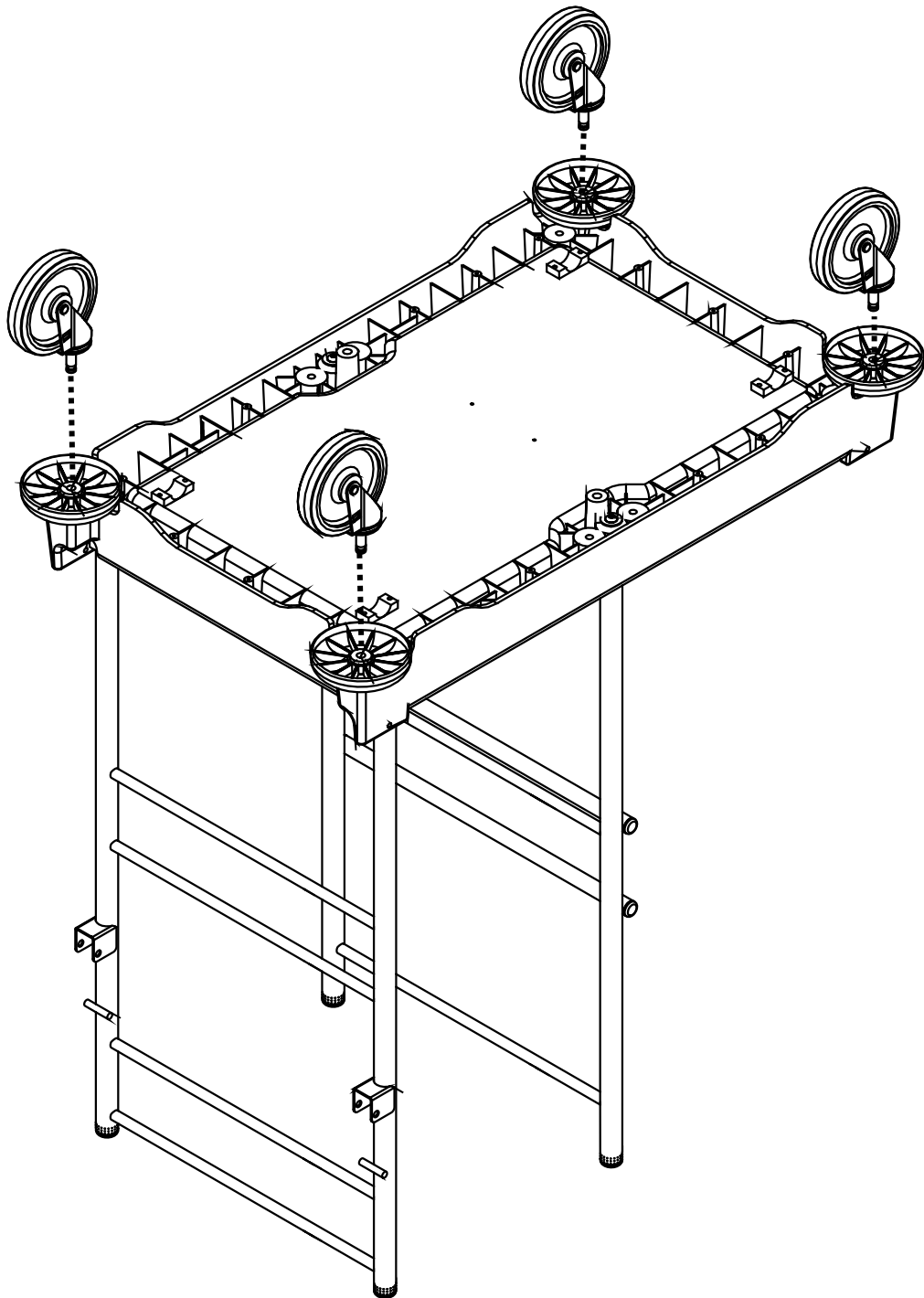
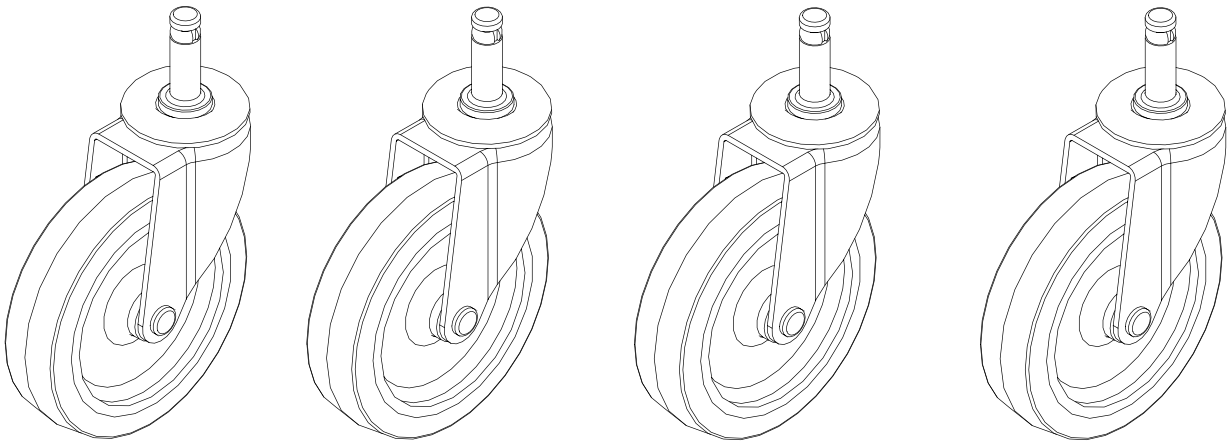


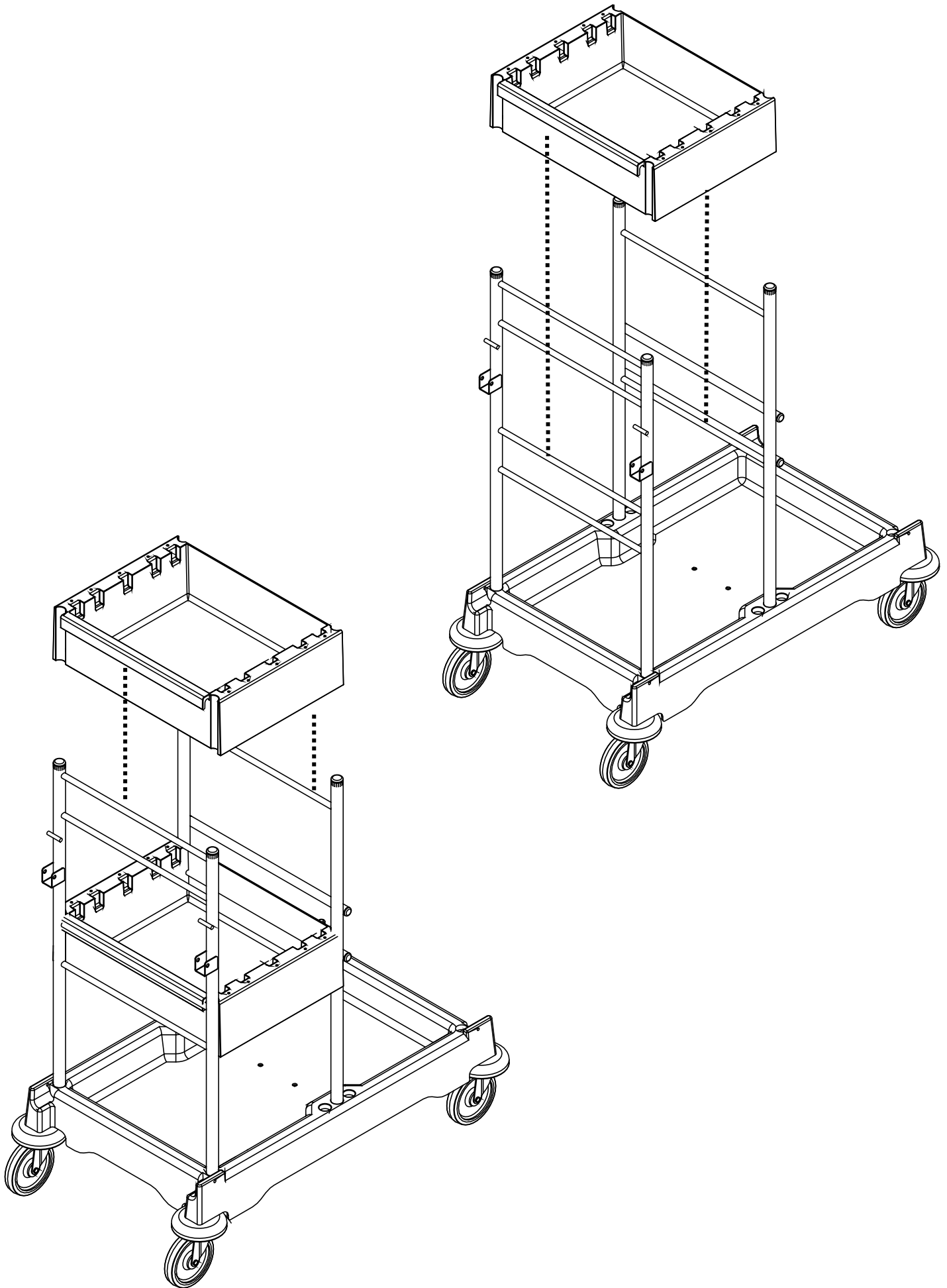


227479

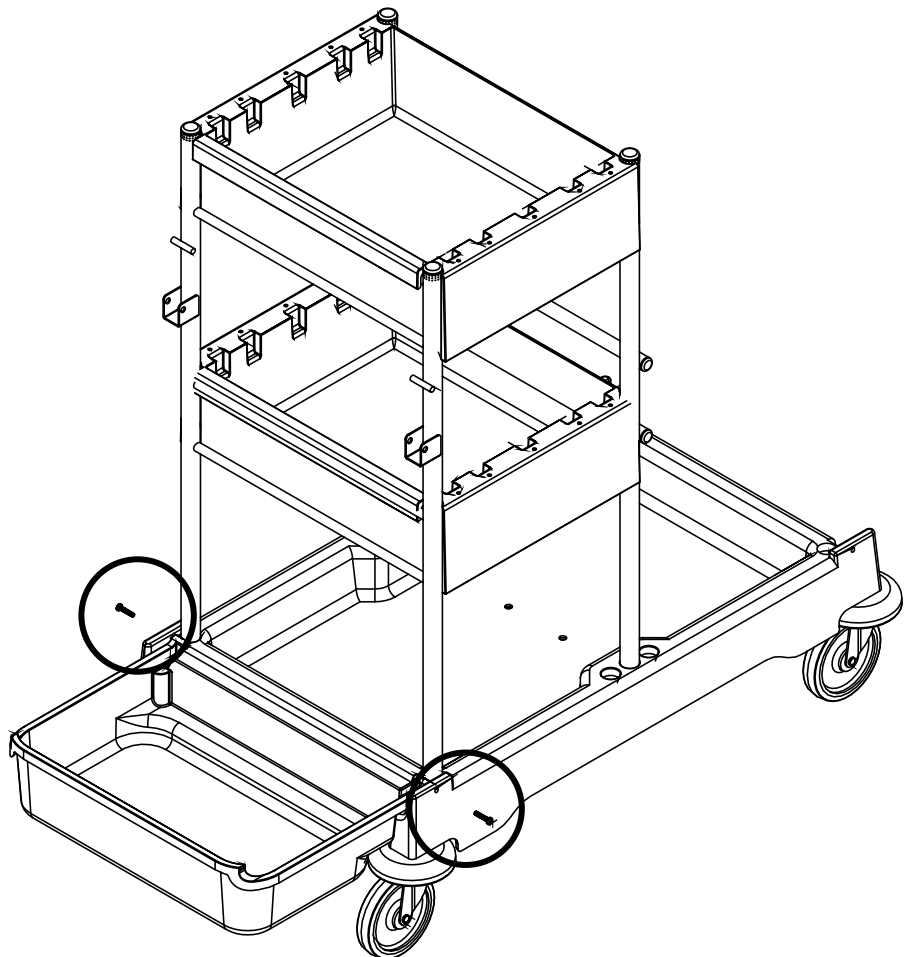
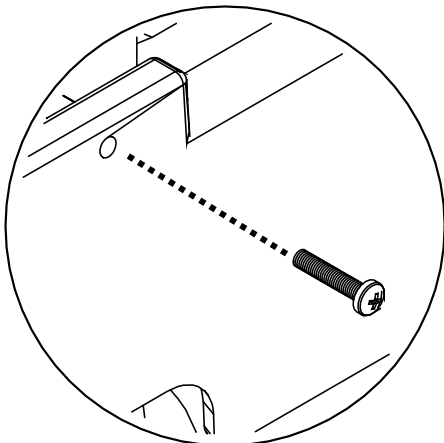
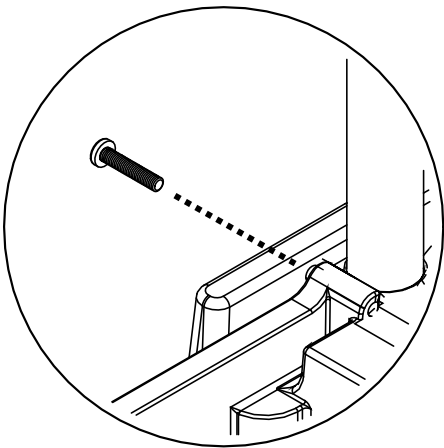
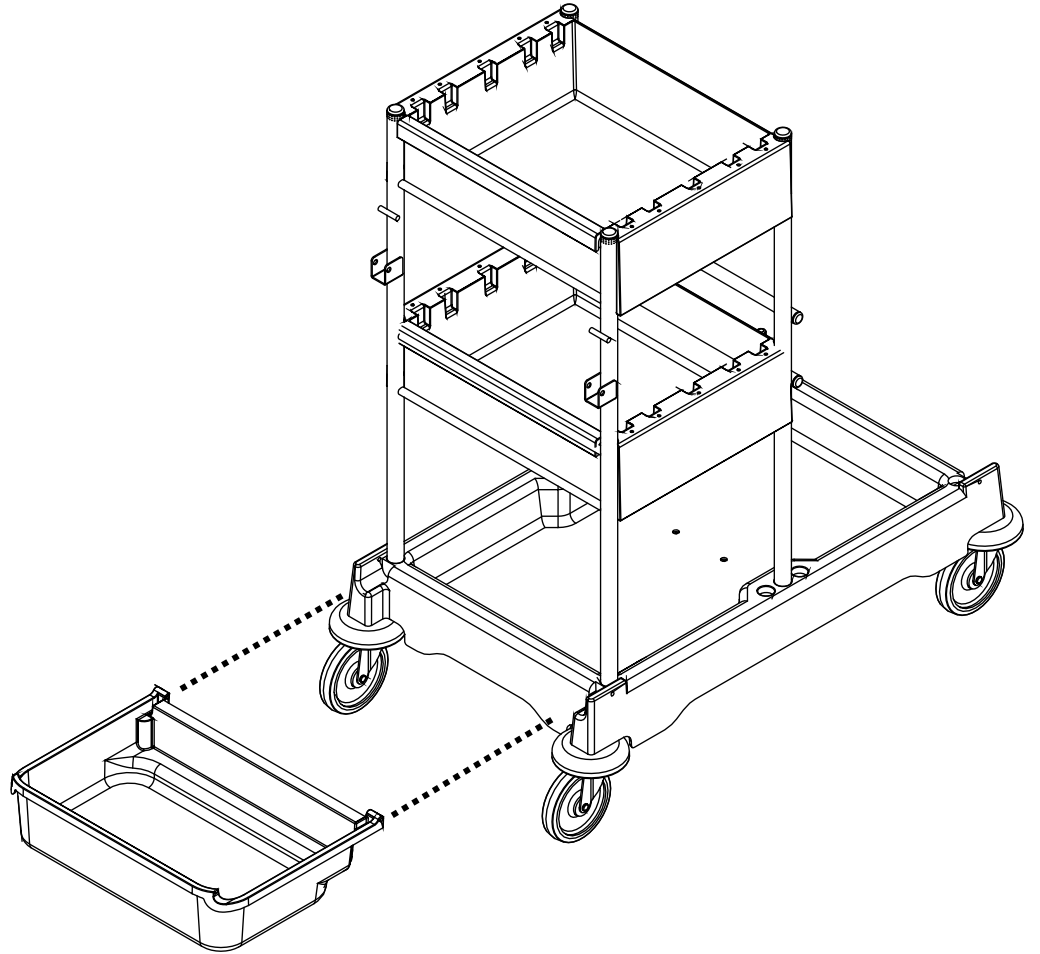
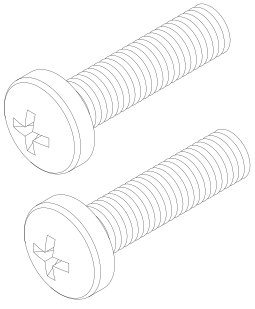


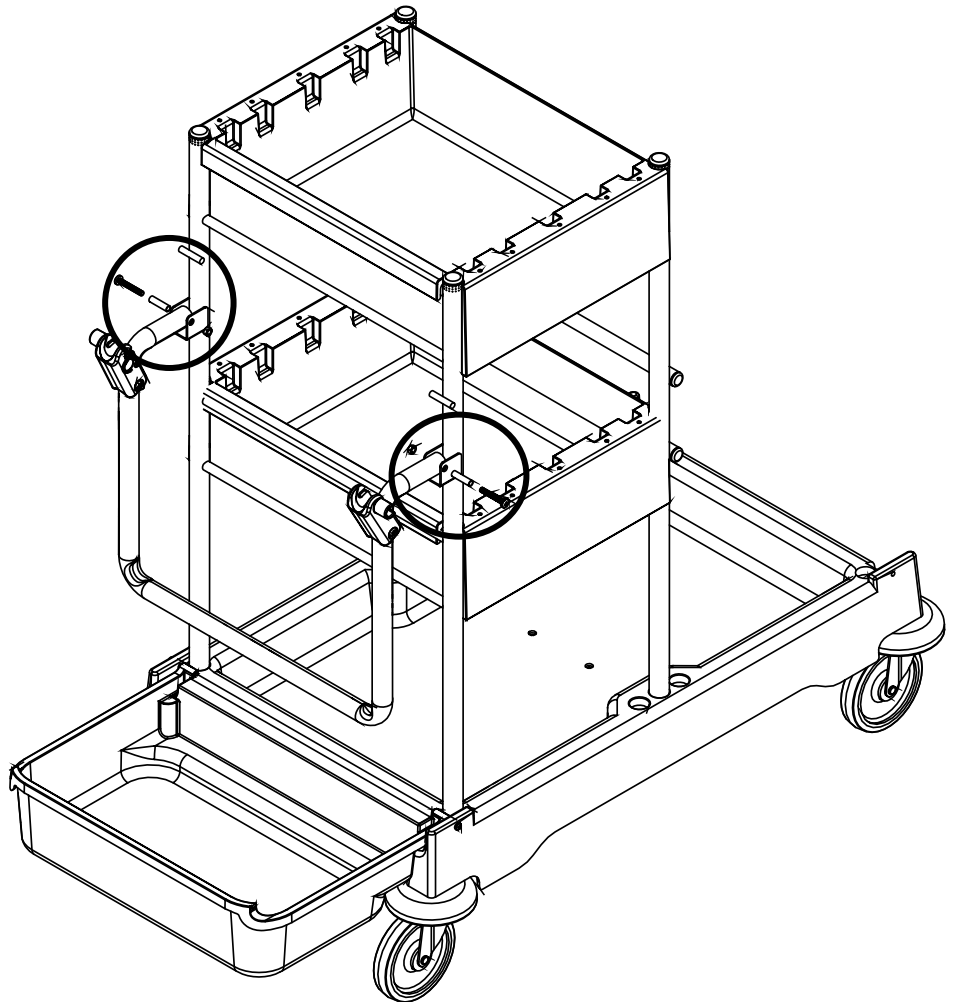
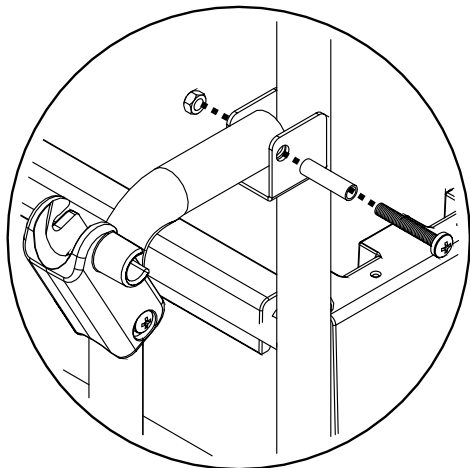
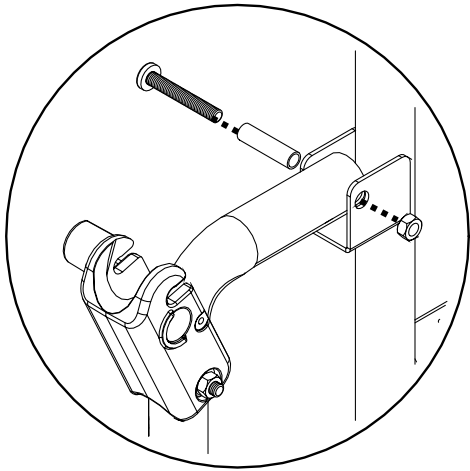
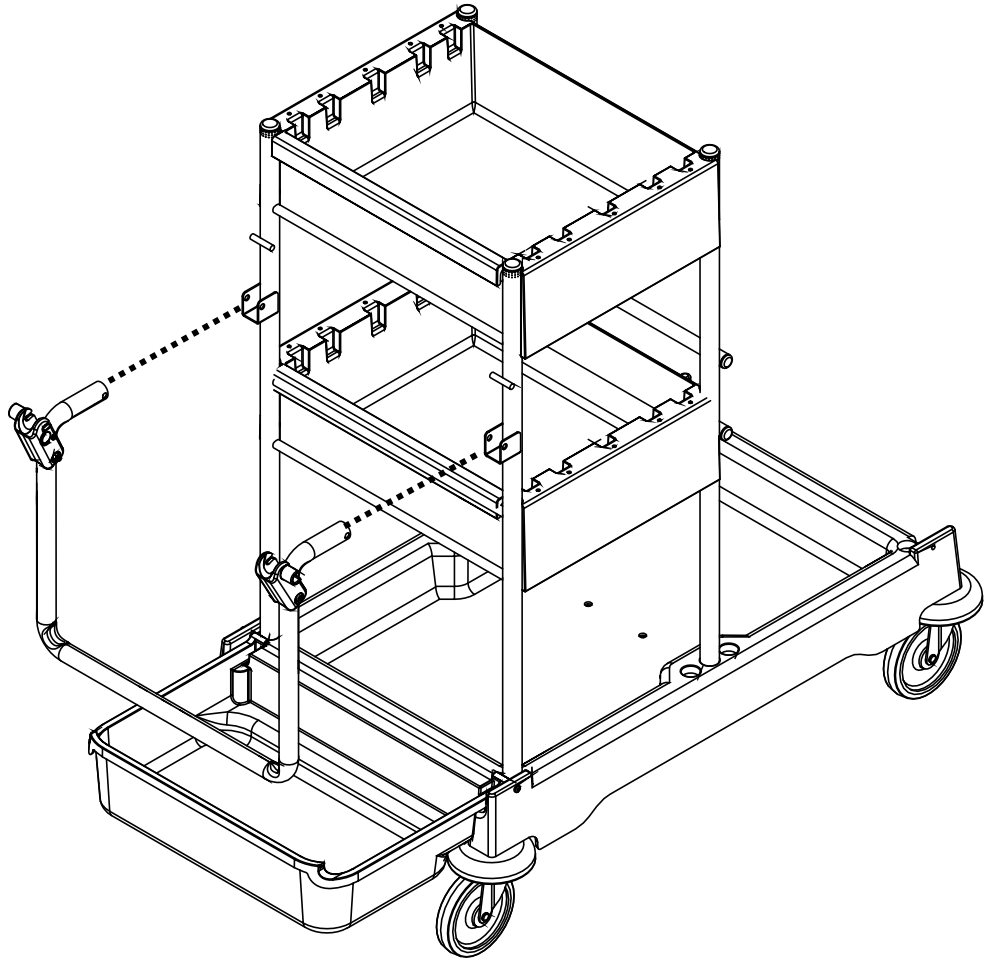
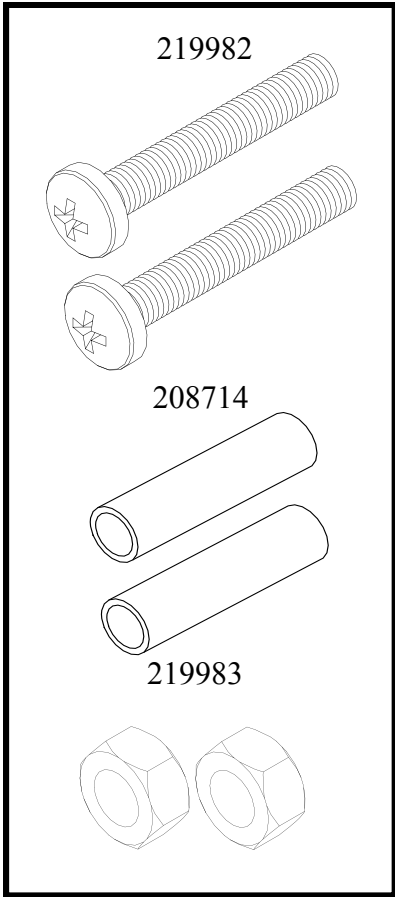
204113



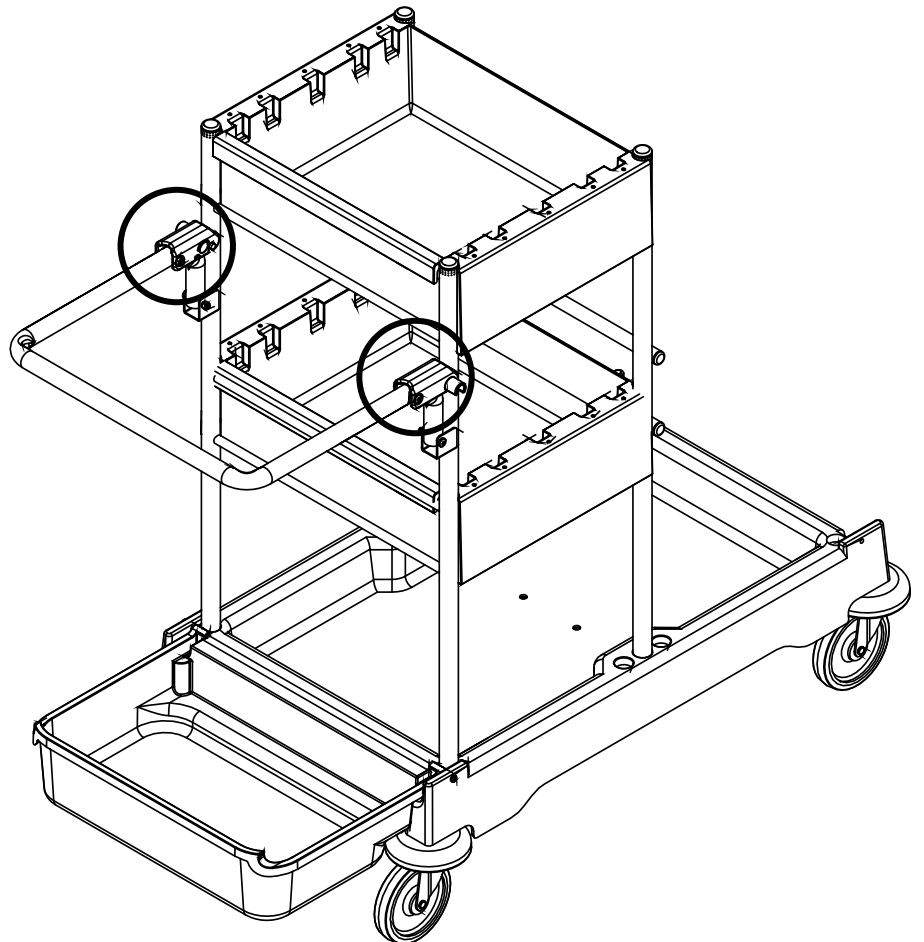
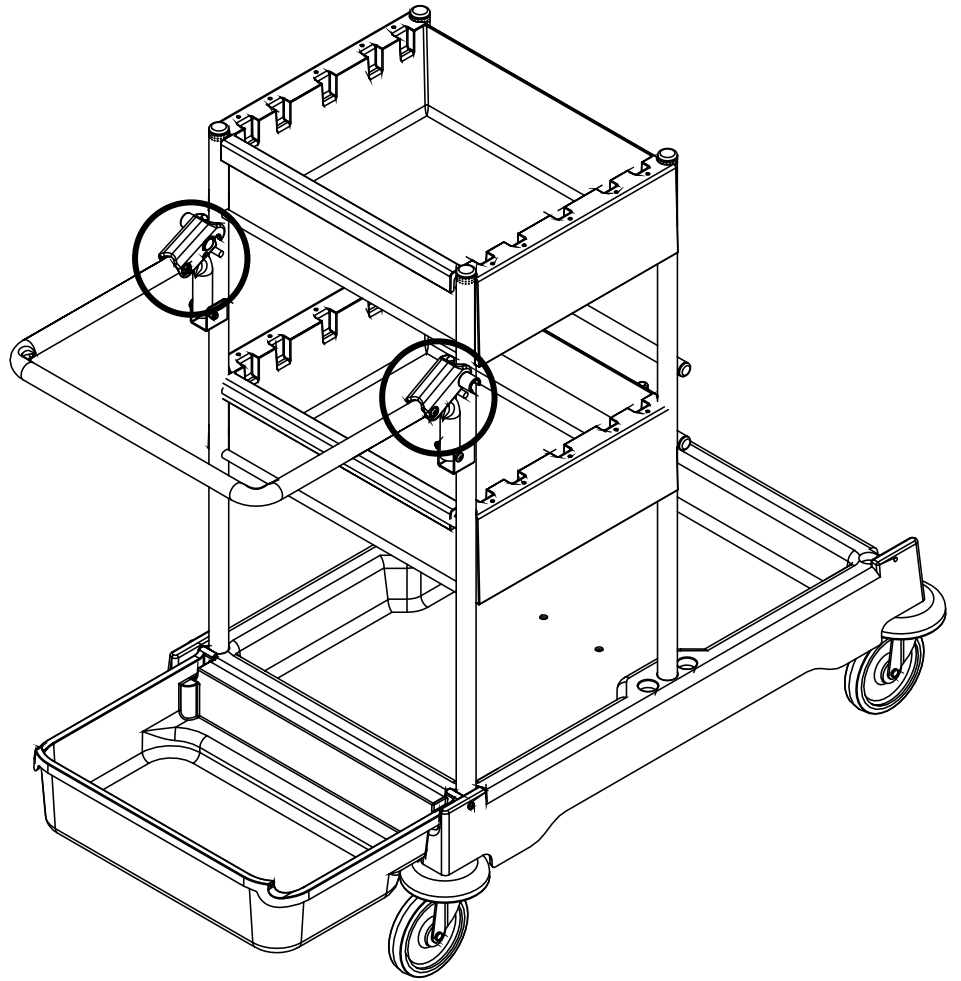
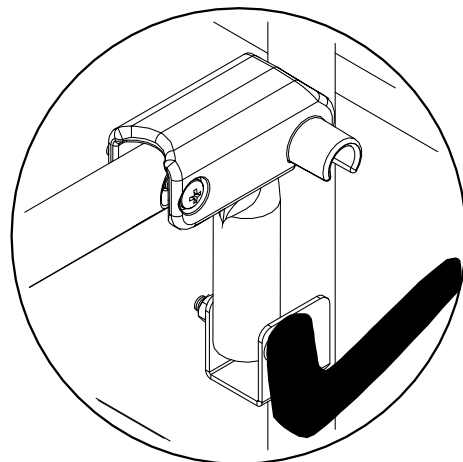
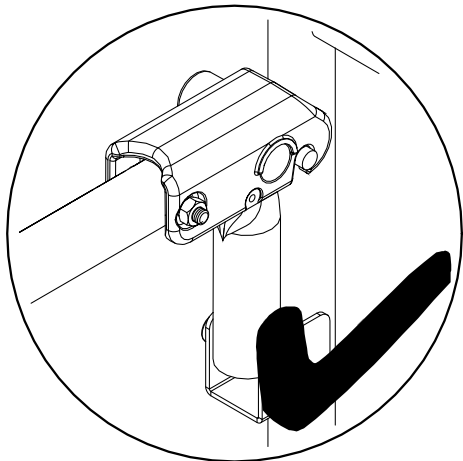
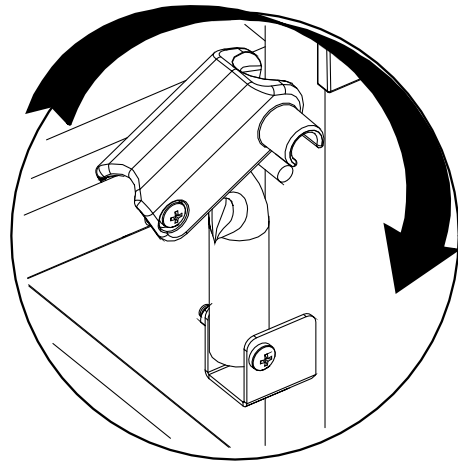
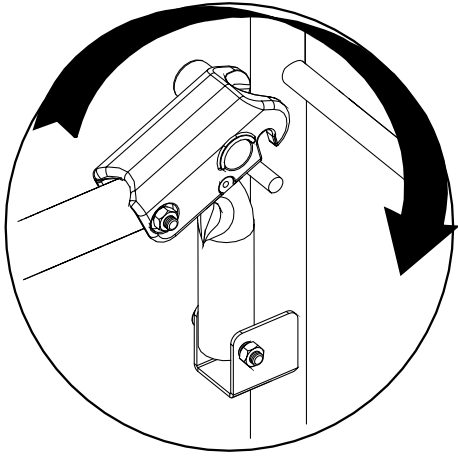


219571

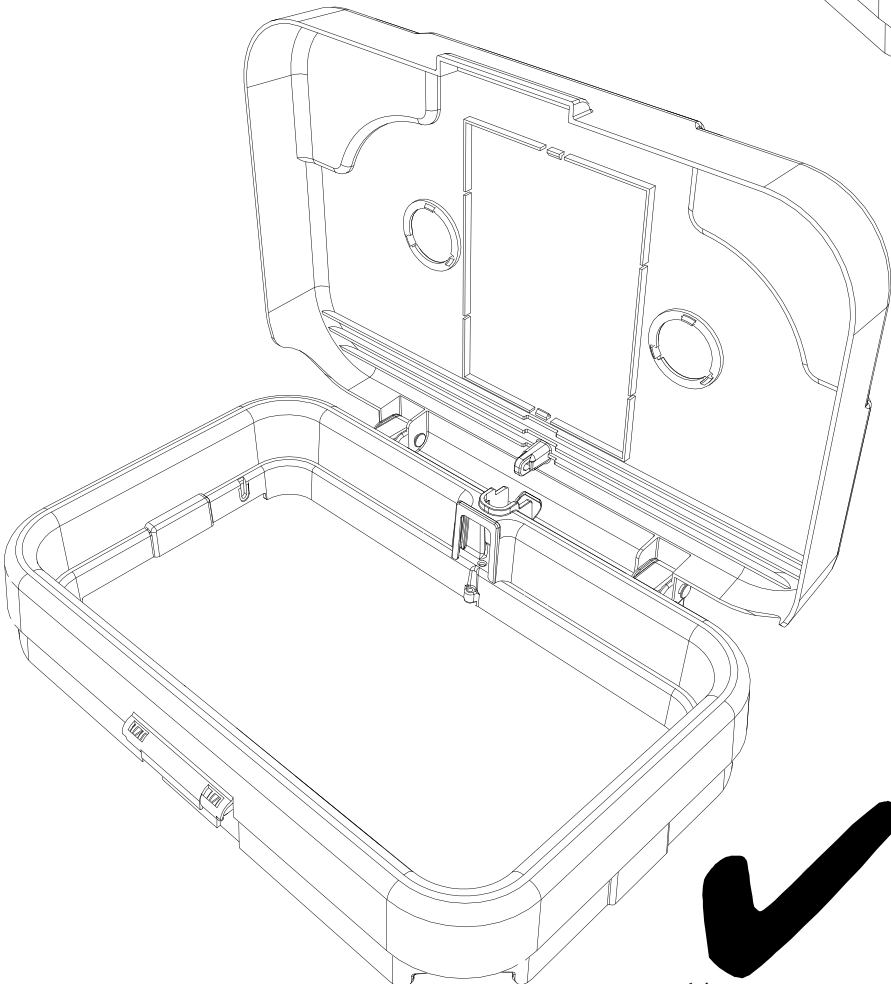
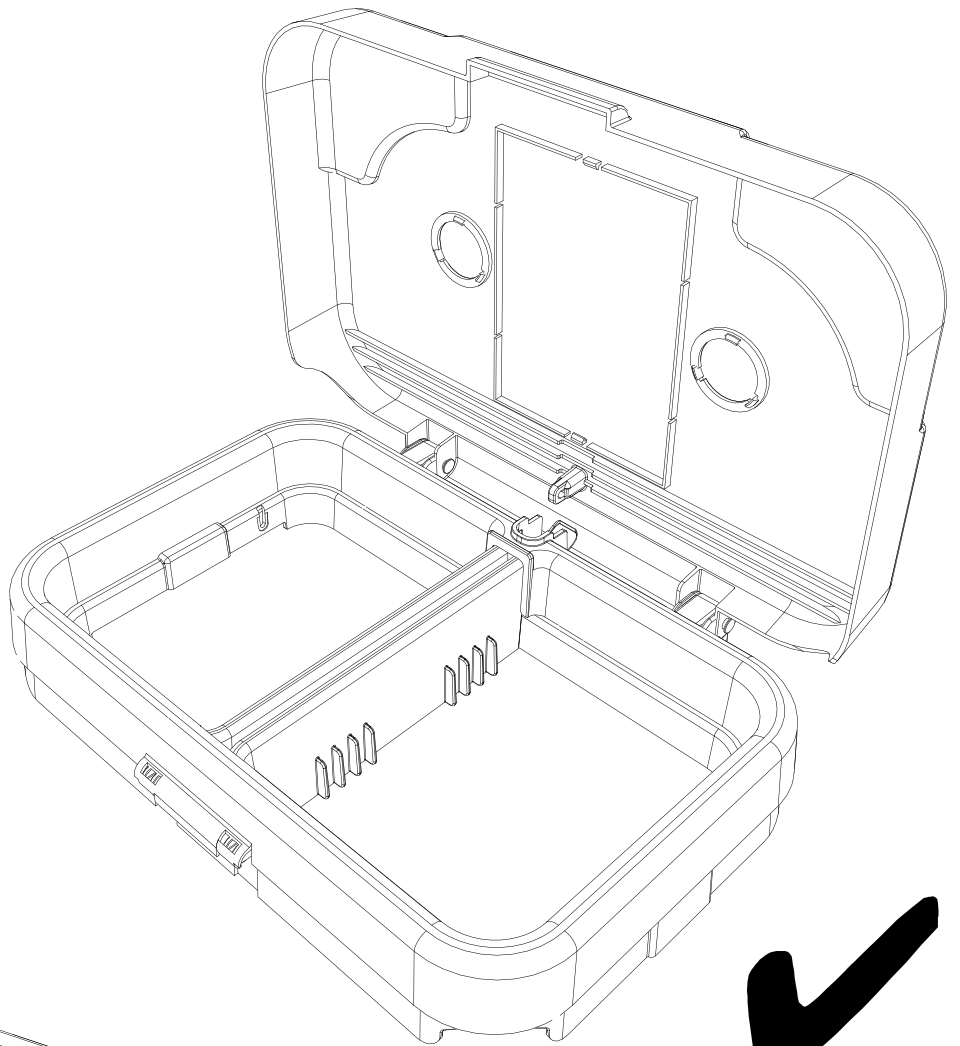




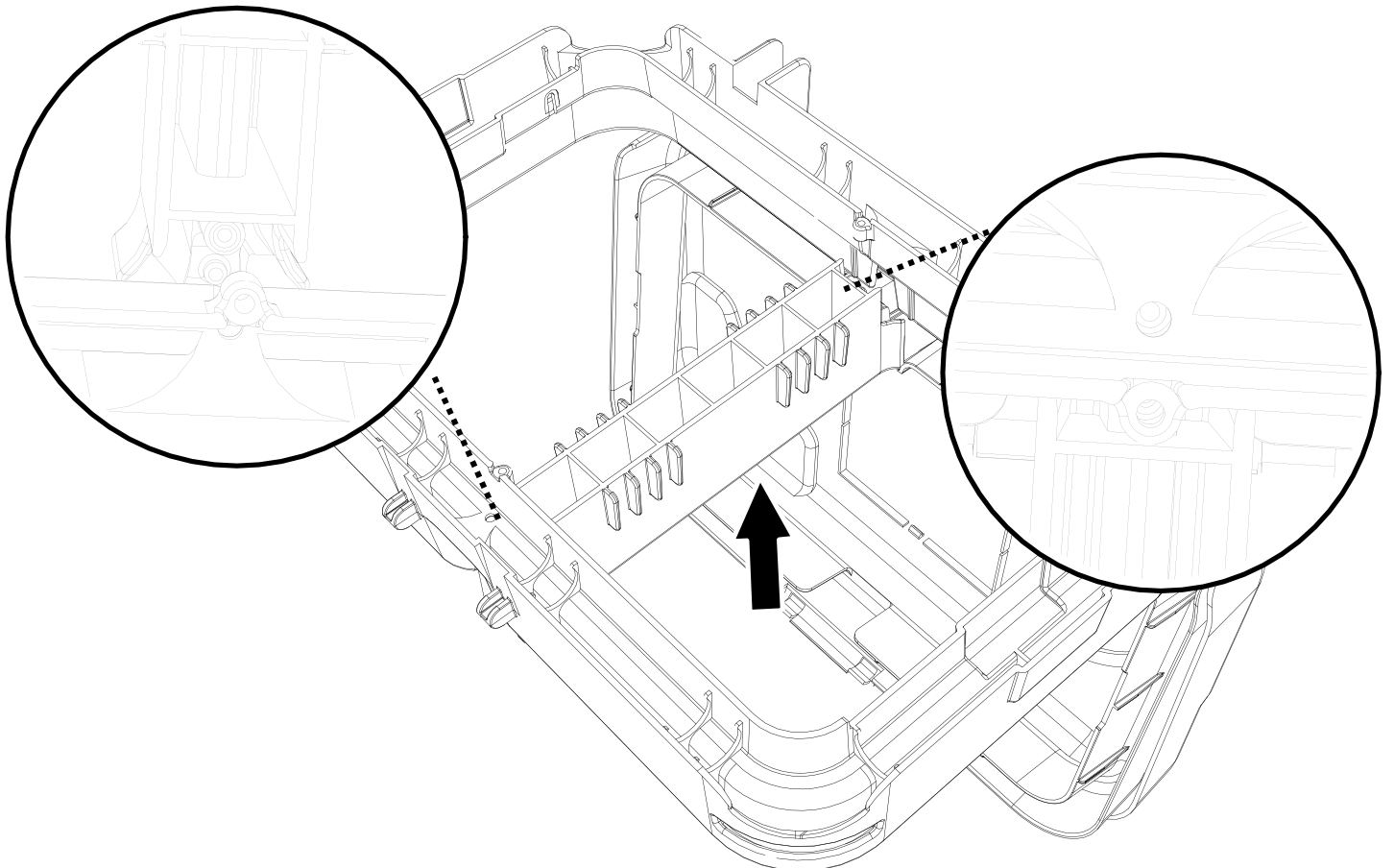
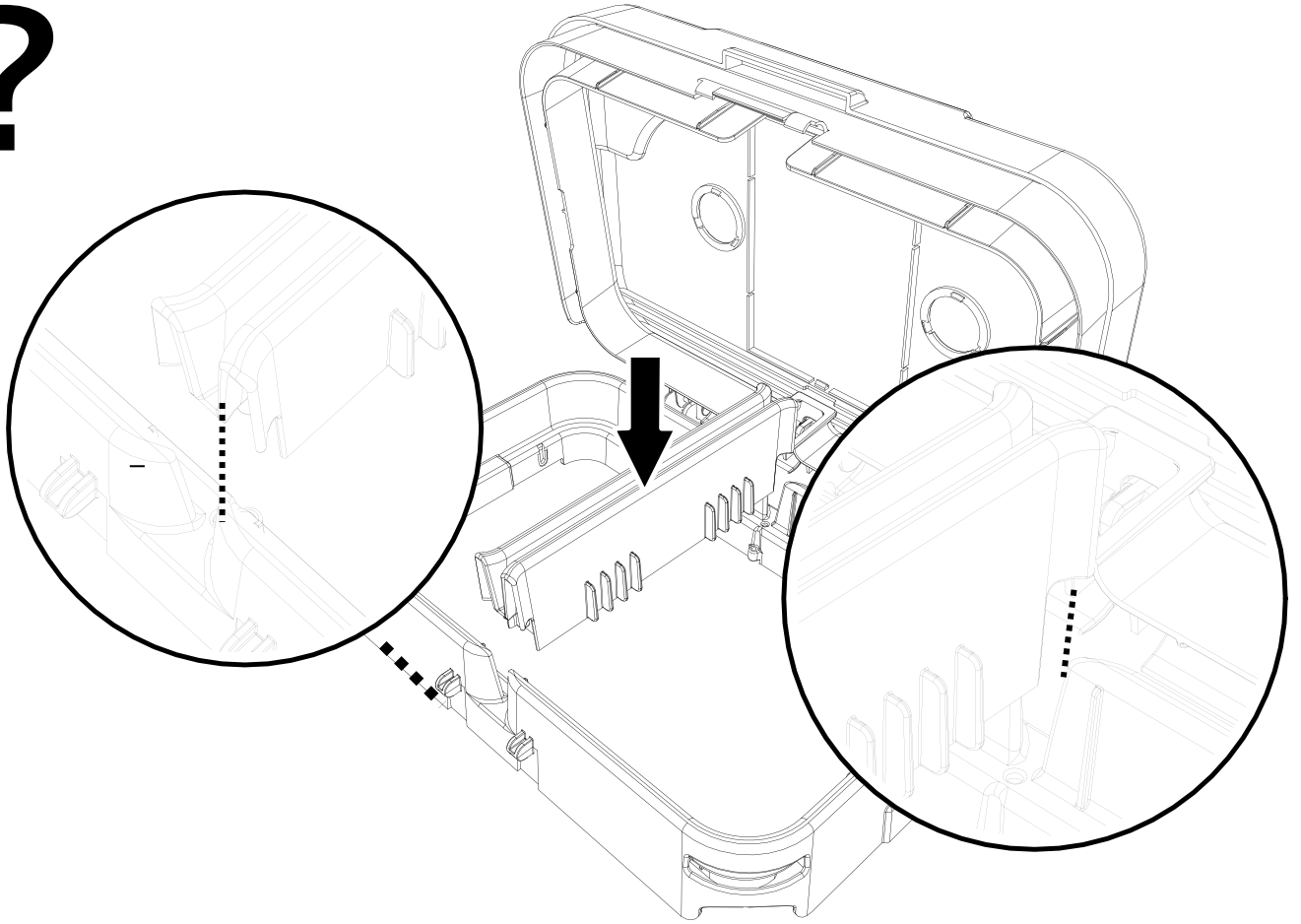


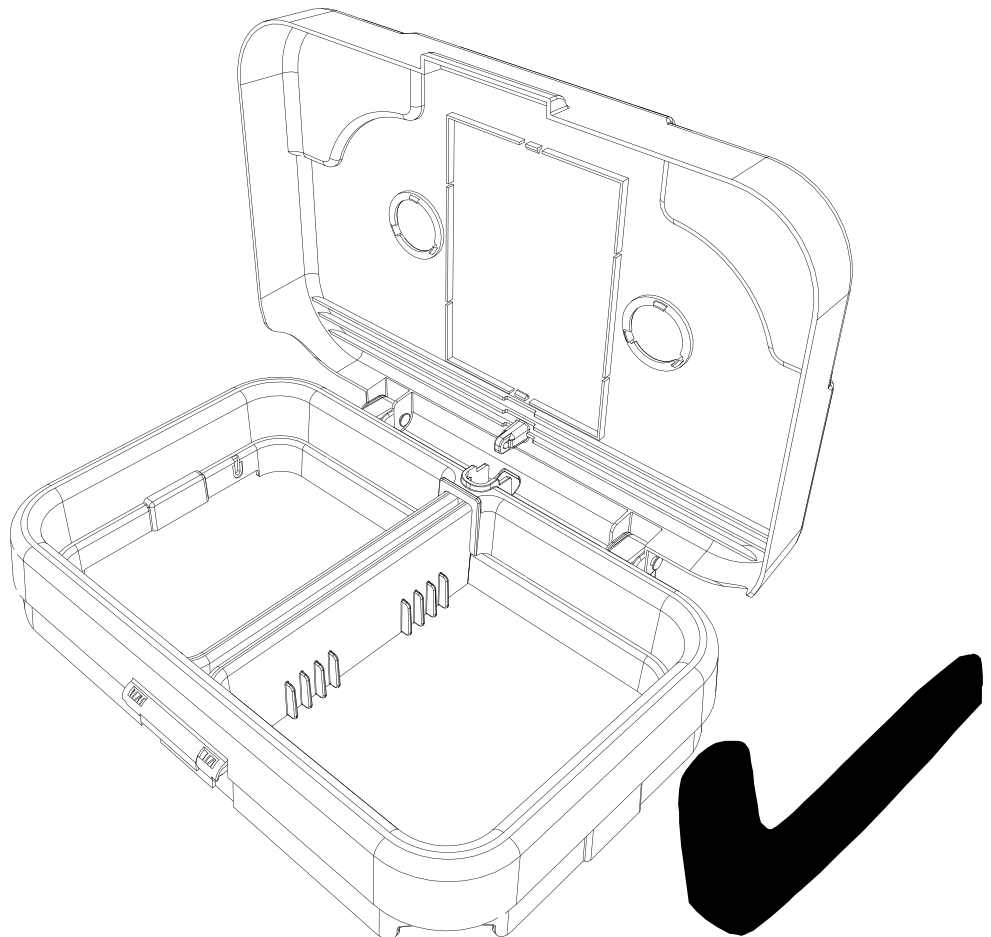
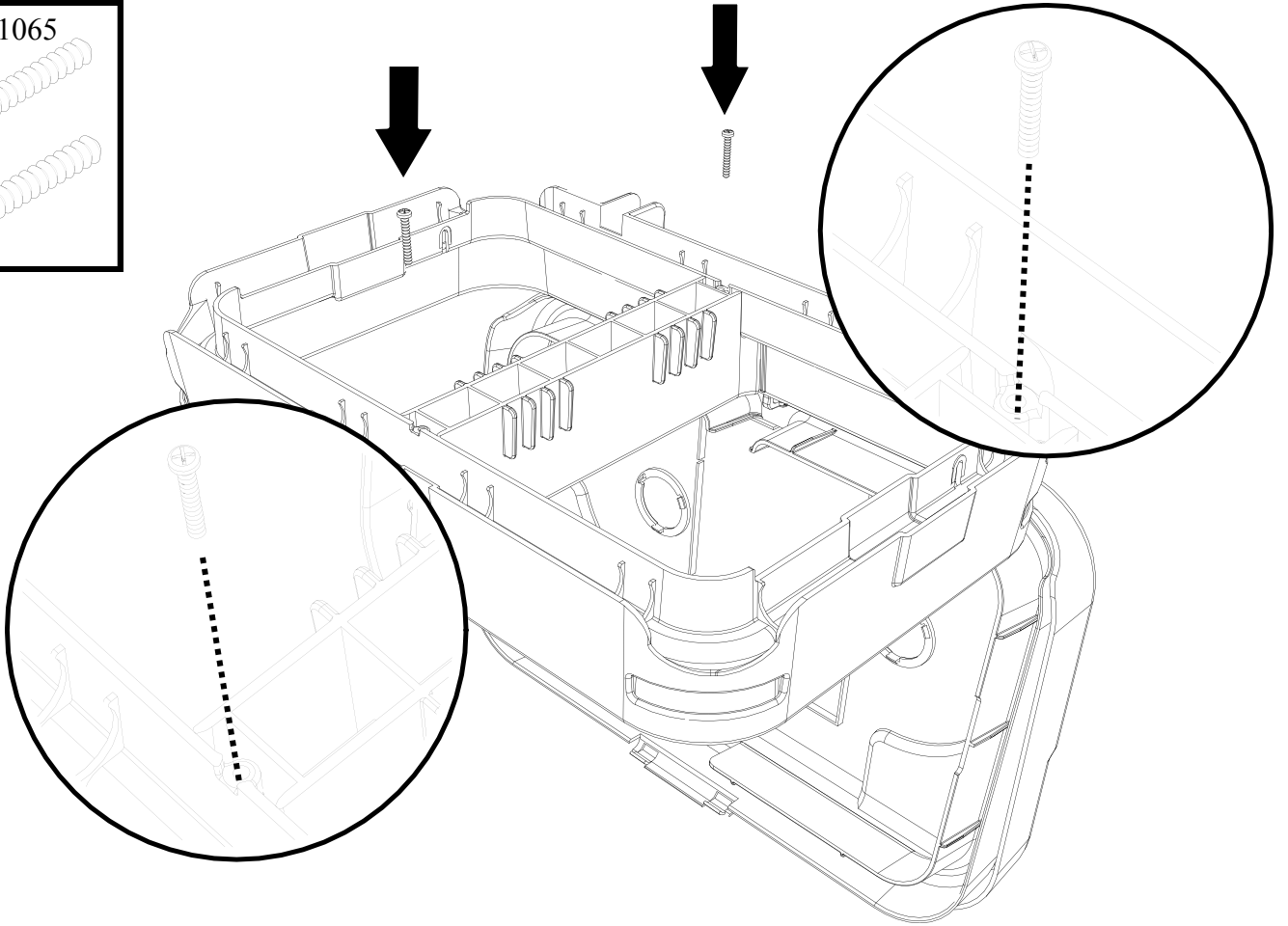
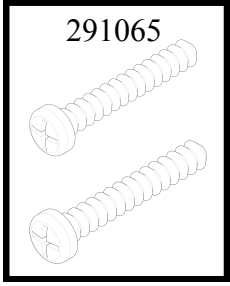


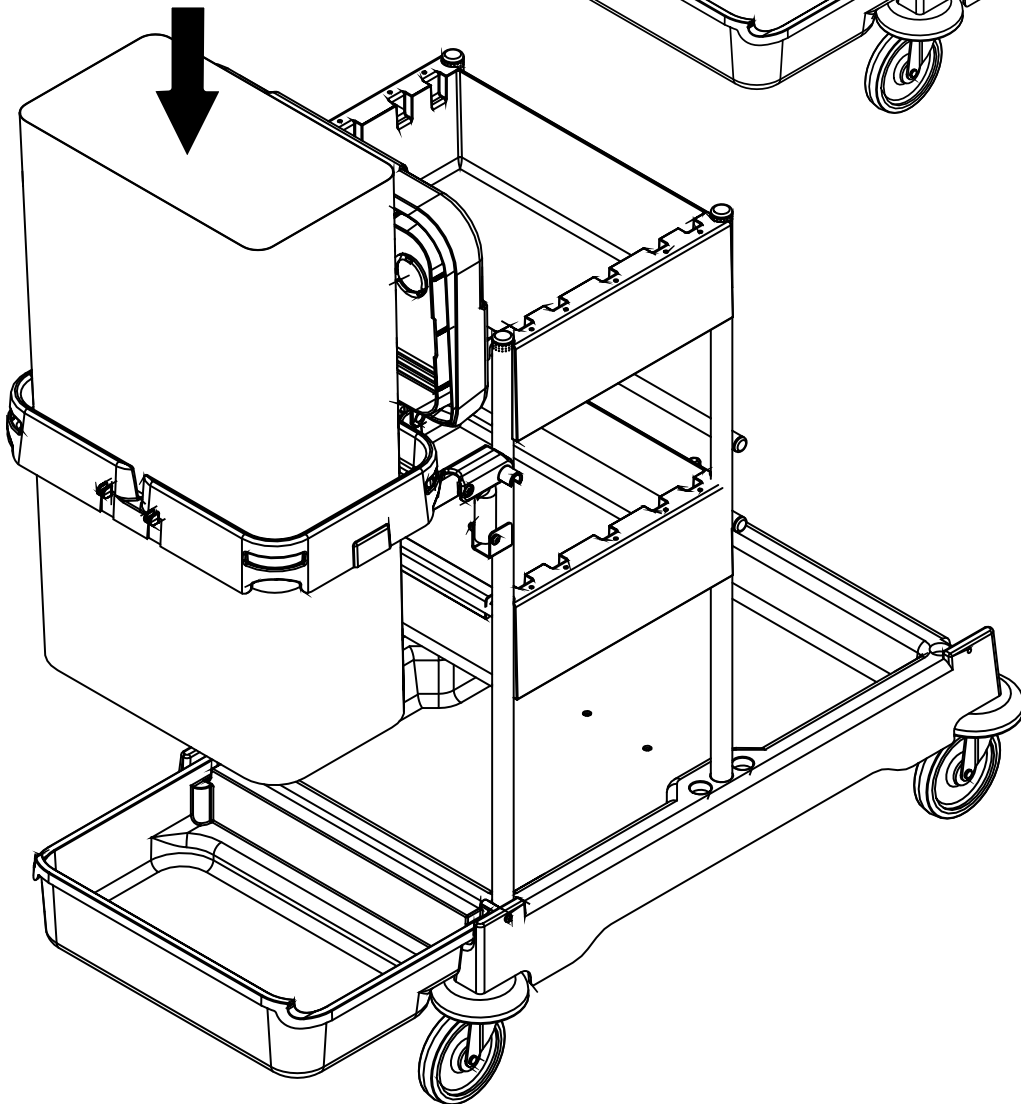
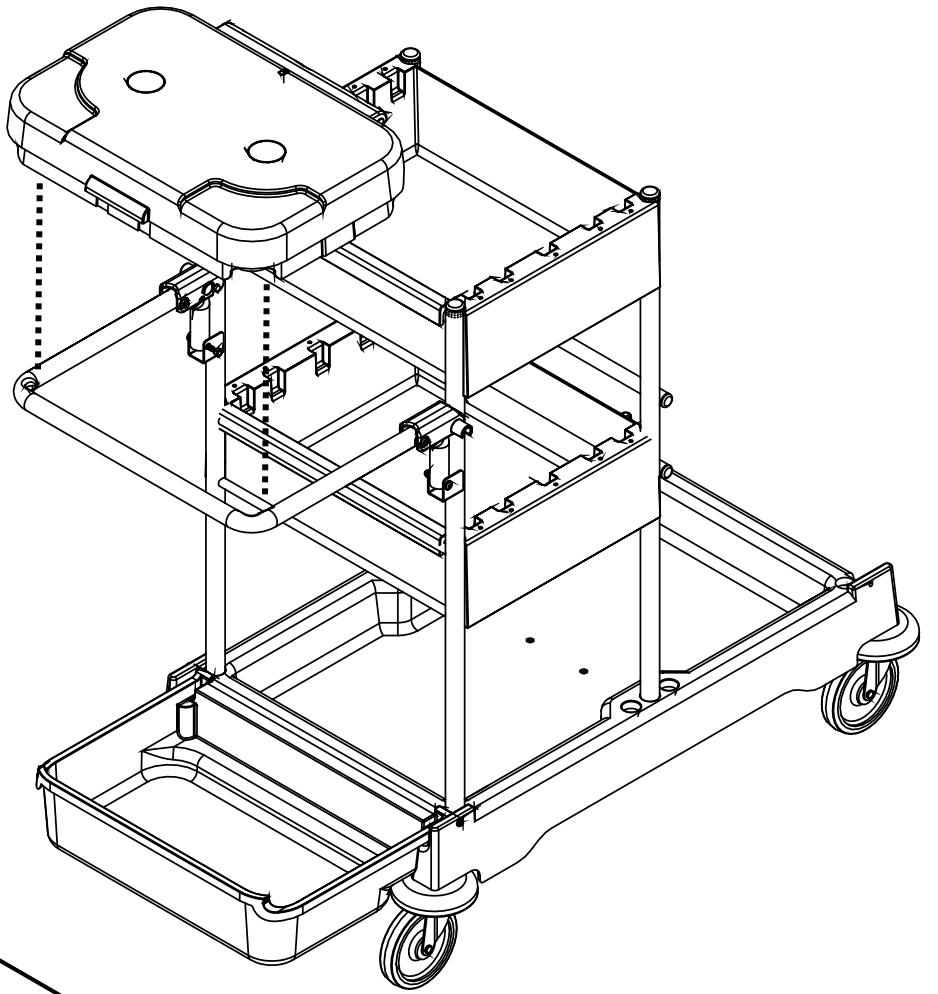
?

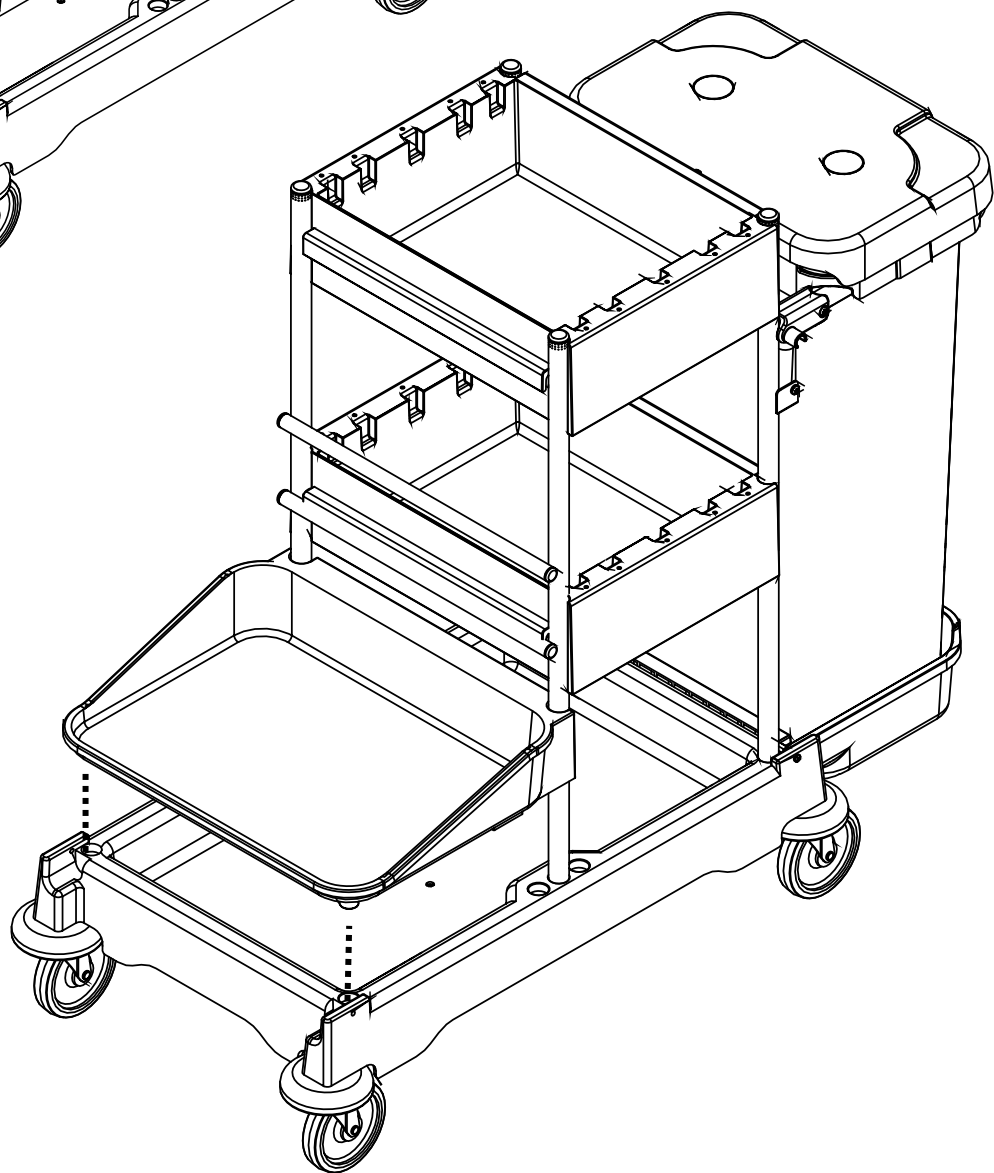
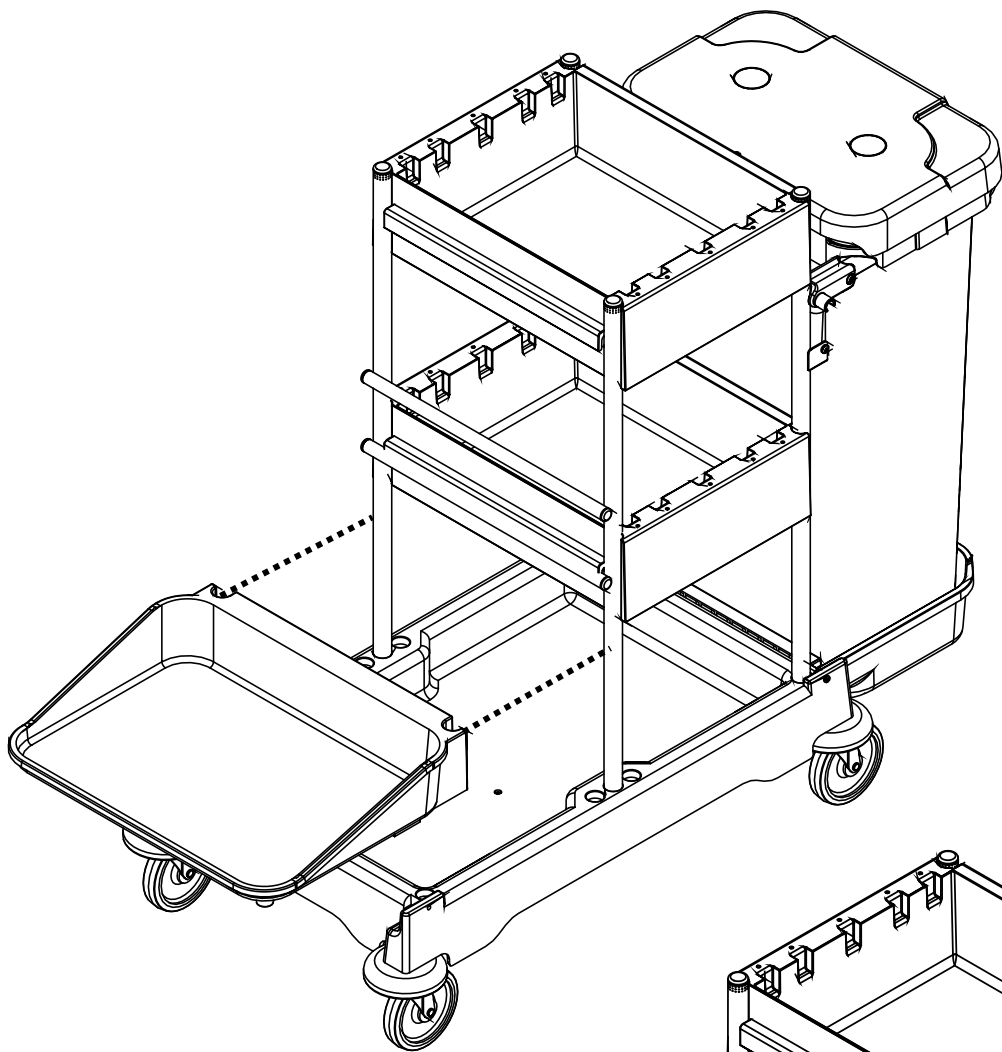


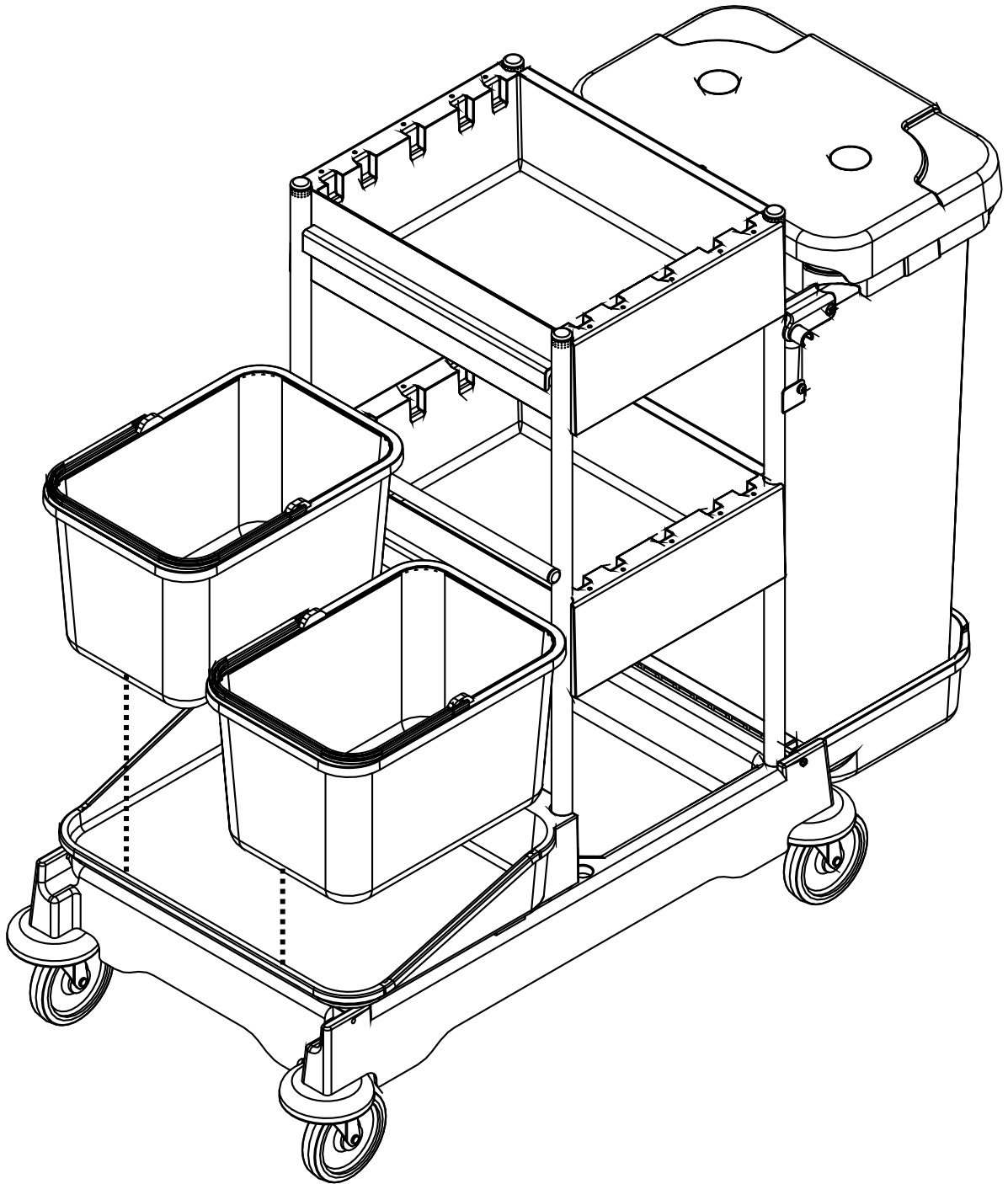
?

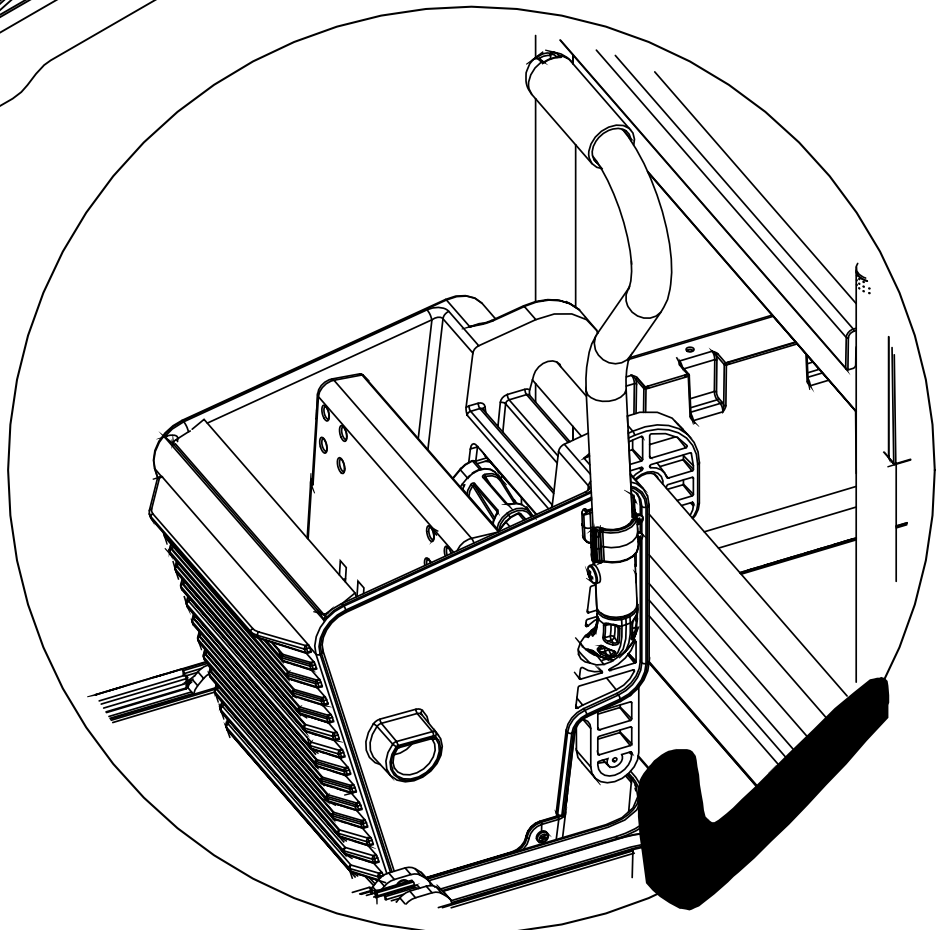
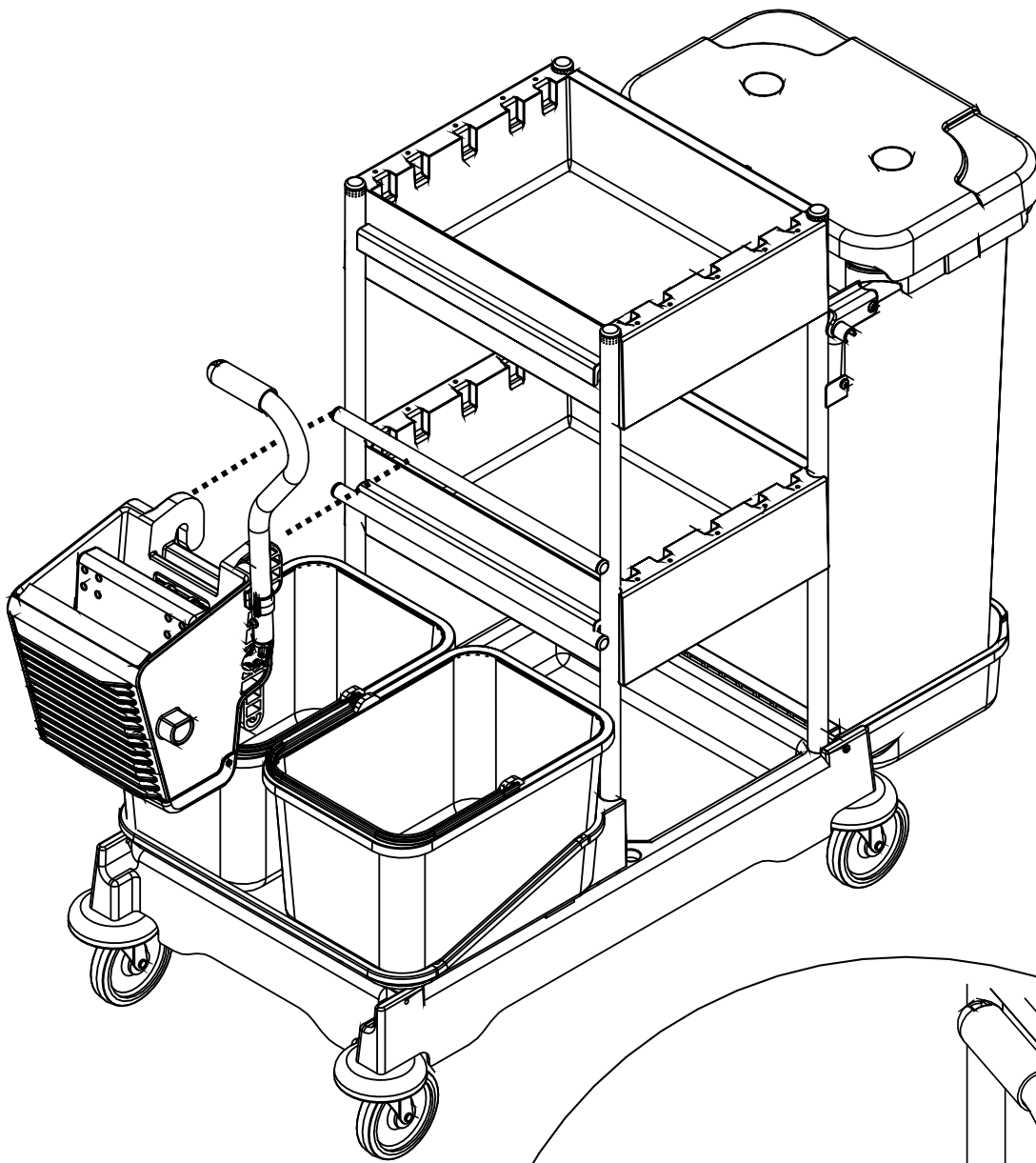




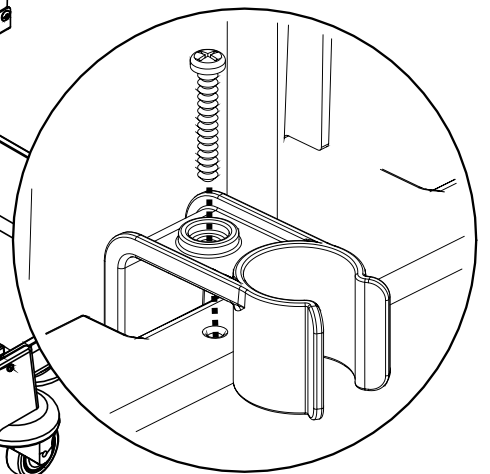
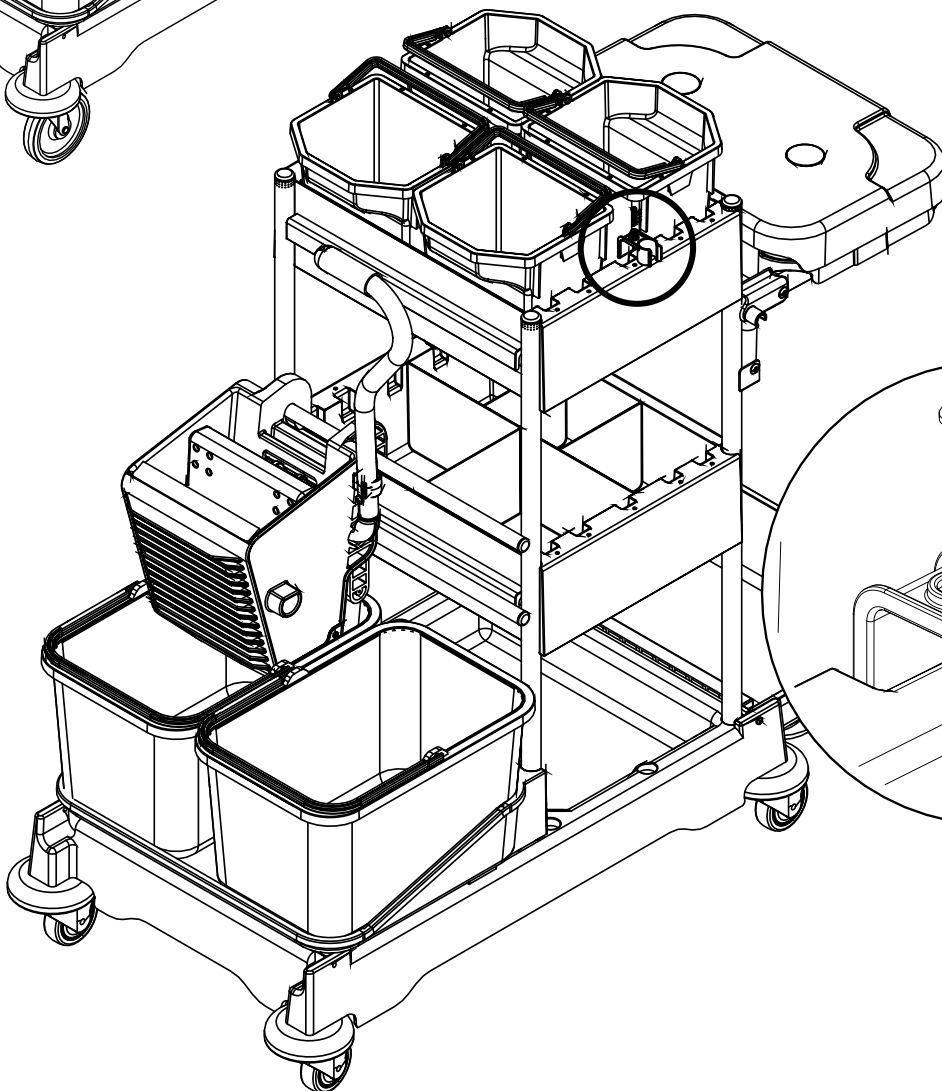
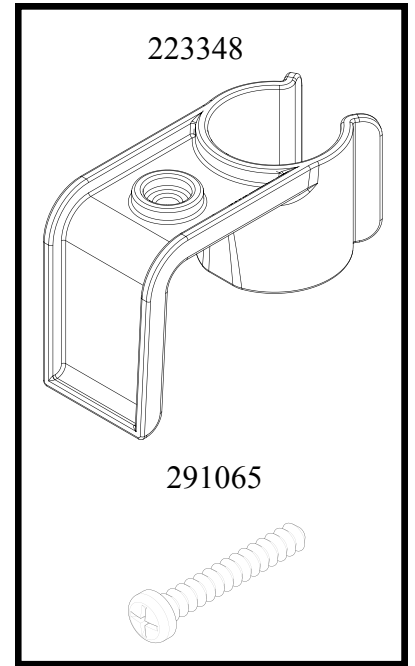
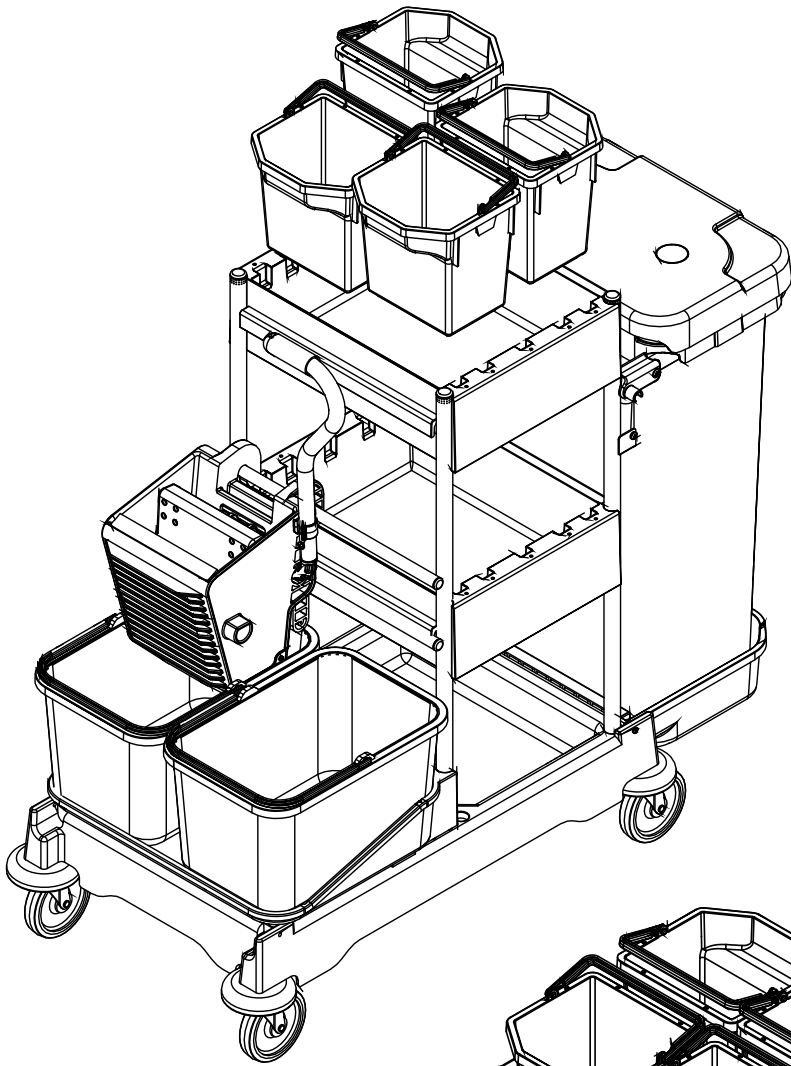


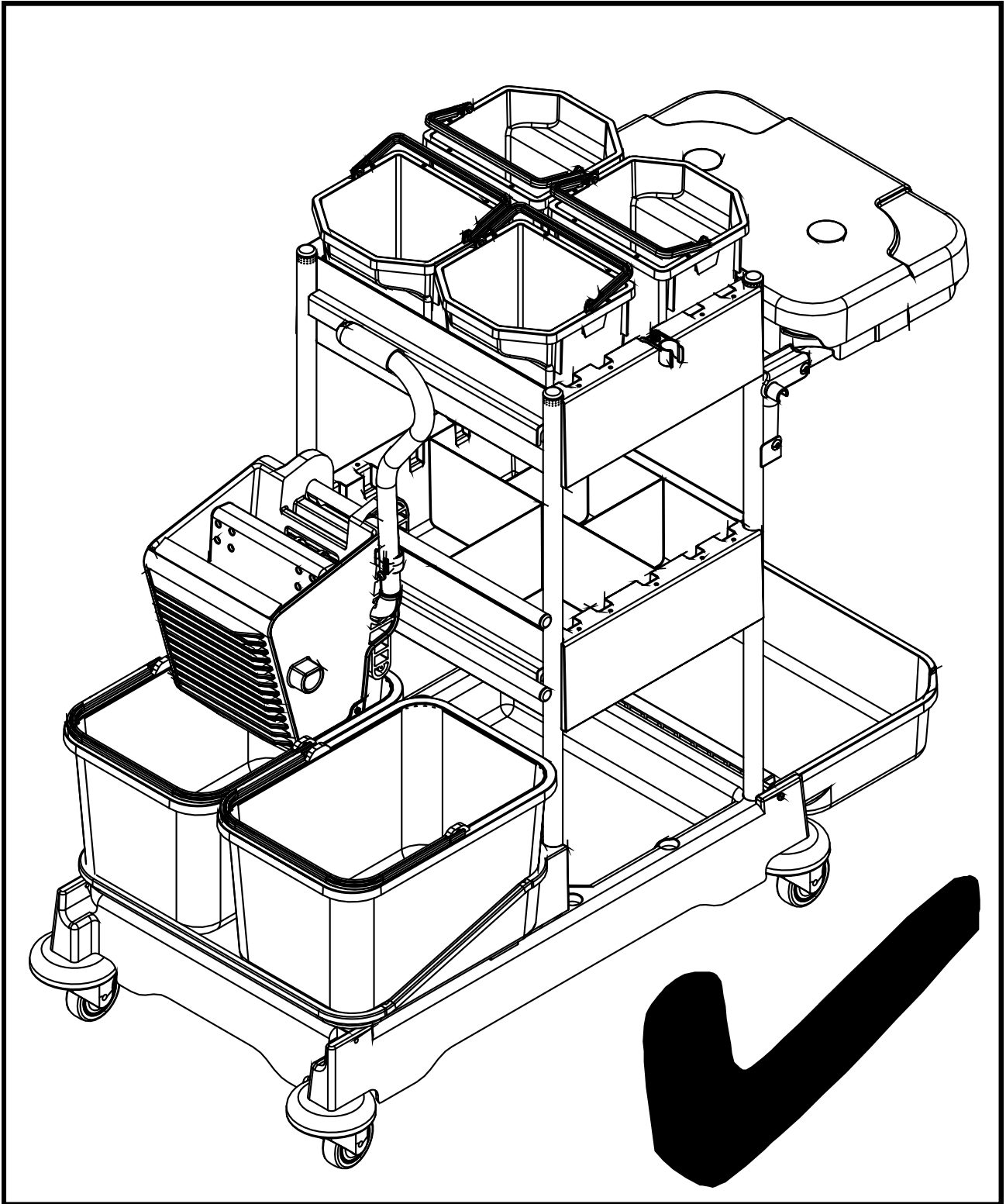




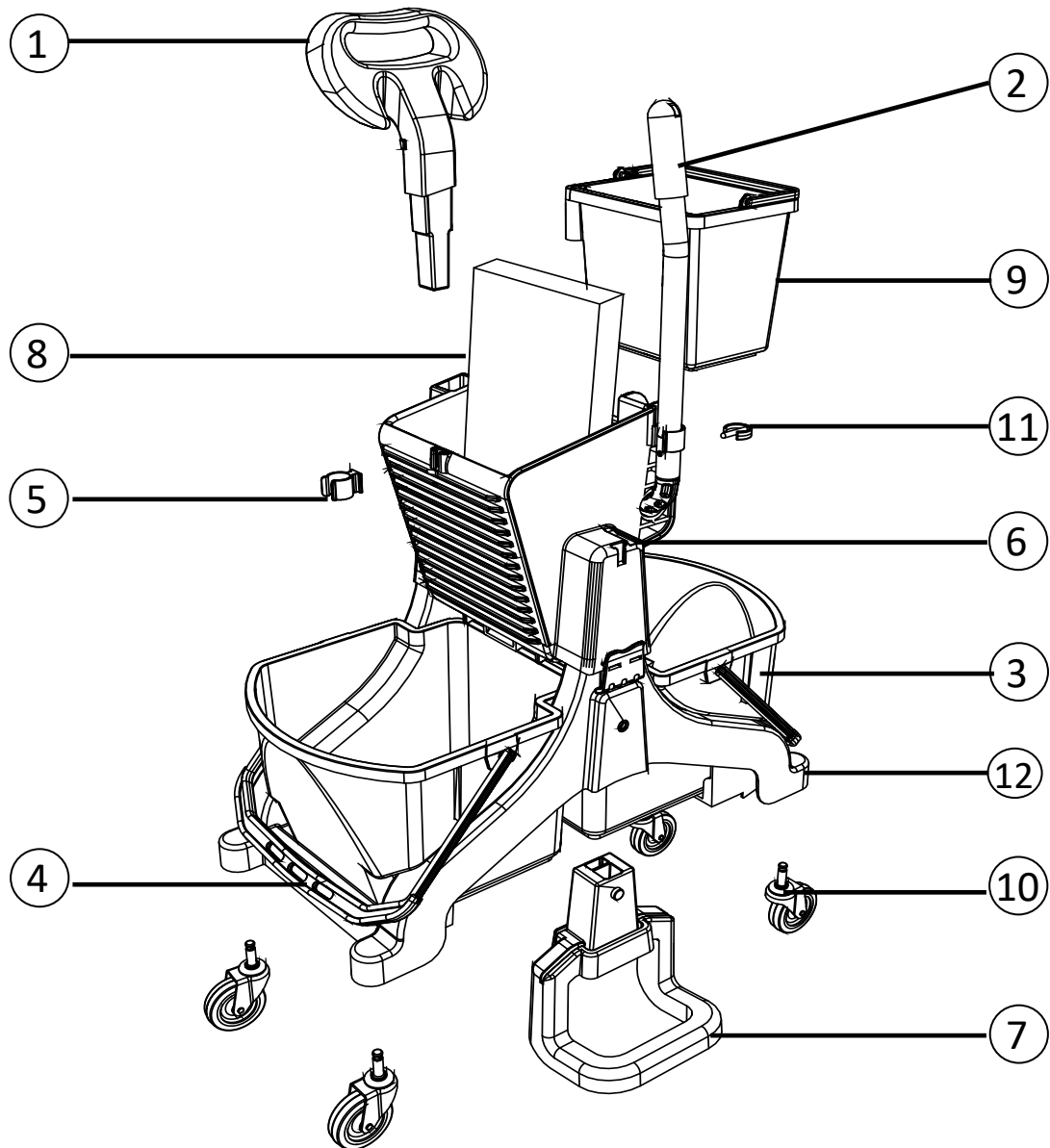








# MMT-1616 (GRAPHITE)



ITEM	PART	DESCRIPTION	QTY
1	902090	MIDMOP HANDLE COMPLETE (GRAPHITE)***OPTIONAL EXTRA	1
2	902094	PRESS HANDLE	1
3	905733	16 LTR PAIL RED HANDLE	1
4	905734	16 LTR PAIL BLUE HANDLE	1
5	629874	22MM MIDMOP CLAMP	1
6	906471	PRESS ASSEMBLY WITHOUT FOAM (GRAPHITE)	1
7	902092	FLAT MOP STAND (GRAPHITE)***OPTIONAL EXTRA	1
8	629881	FOAM PRESSURE PAD***OPTIONAL EXTRA	1
8	905225	5LTR SWING PAIL RED HANDLE***OPTIONAL EXTRA	1
10	629882	75 MM CASTORS	4
11	206394	UNIVERSAL CLIP	1
12	902095	MID MOP BASE (GRAPHITE)	1

