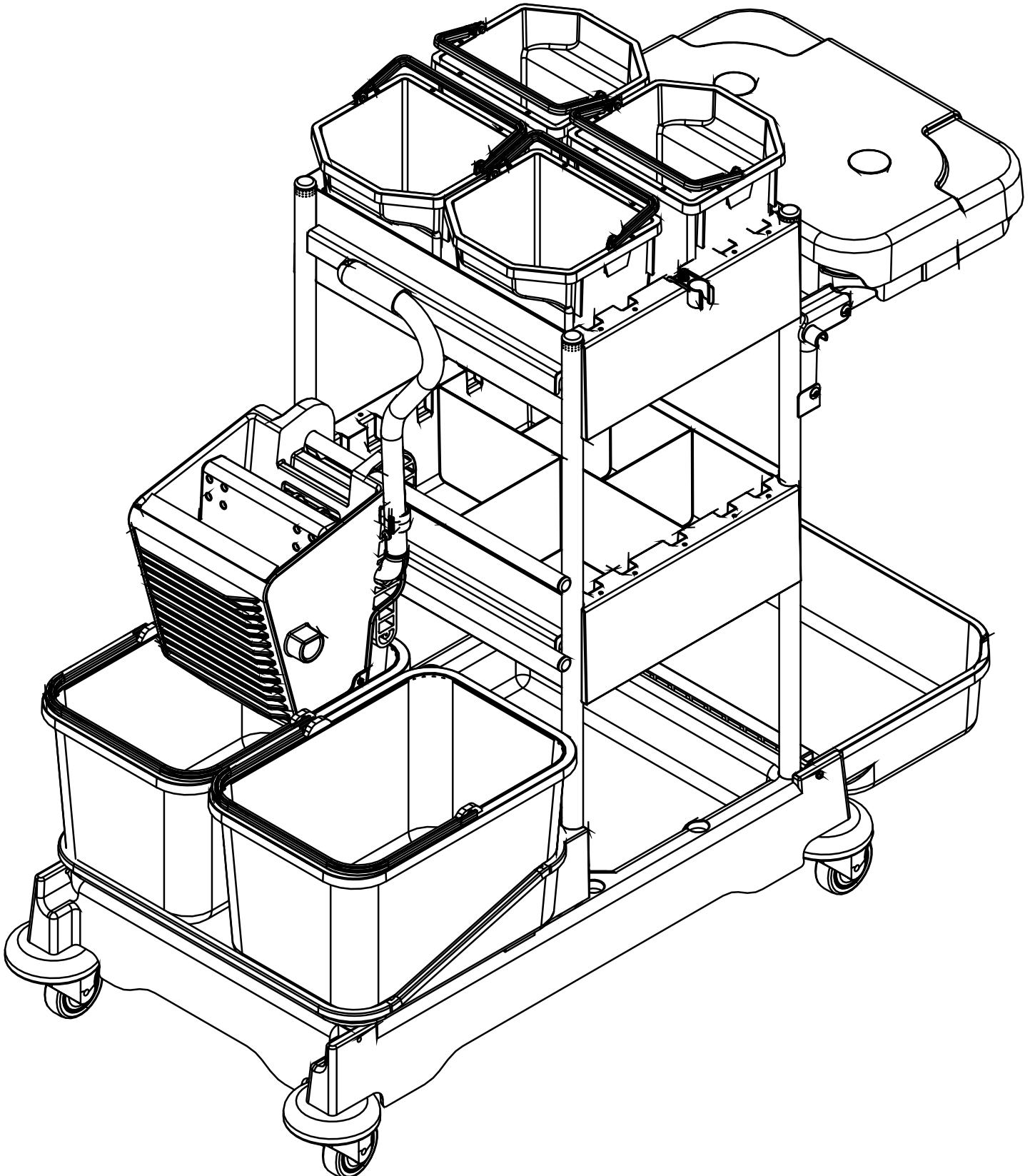
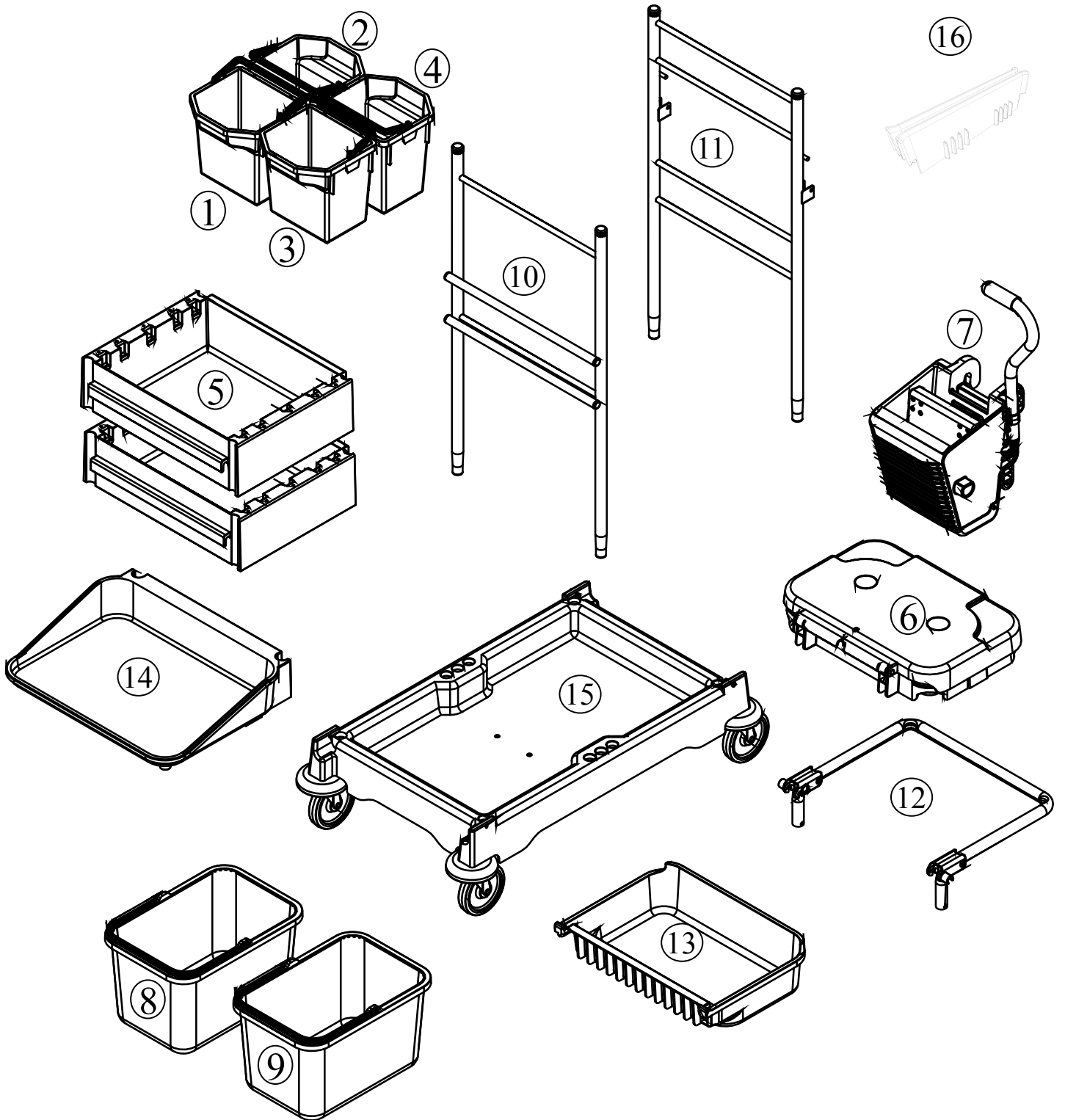


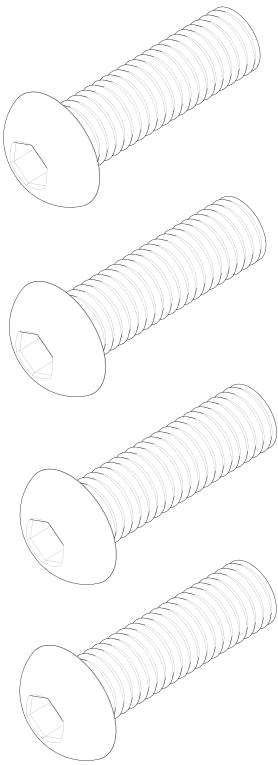
# NPT 1605 (GRAPHITE GREY)



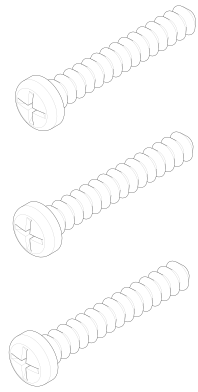


ITEM	PART	DESCRIPTION	QTY
1	628001	5 LTR PAIL RED	1
2	628002	5 LTR PAIL BLUE	1
3	628003	5 LTR PAIL GREEN	1
4	628004	5 LTR PAIL YELLOW	1
5	223614	PLAIN TRAY	2
6	339649	LIDSET	1
7	518181	MOPPRESS	1
8	628102	17 LTR PAIL RED	1
9	628103	17 LTR PAIL BLUE	1
10	338650	FRONT UPRIGHT (S/STEEL)	1
11	338652	REAR UPRIGHT (S/STEEL)	1
12	338281	LID SUPPORT FRAME (S/STEEL)	1
13	223616	BAG TRAY	1
14	223613	BUCKET TRAY	1
15	328154	BASE	1
16	223618	BAG FRAME INSERT	1
—	629445	REPLACEMENT 120LTR WASTE SACKS	1 X 10
—	629444	REPLACEMENT 70LTR WASTE SACKS	1 X 10

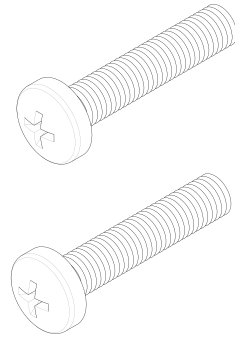
291067



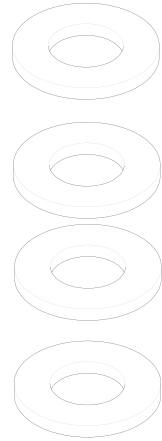
291065



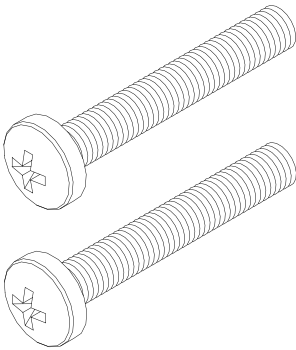
219571



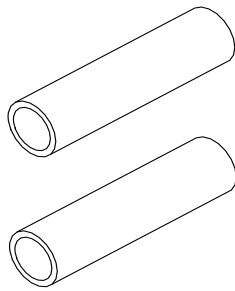
291068



219982



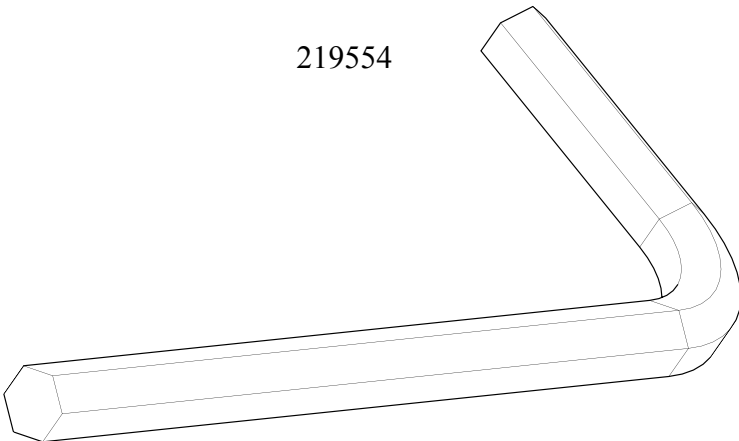
208714



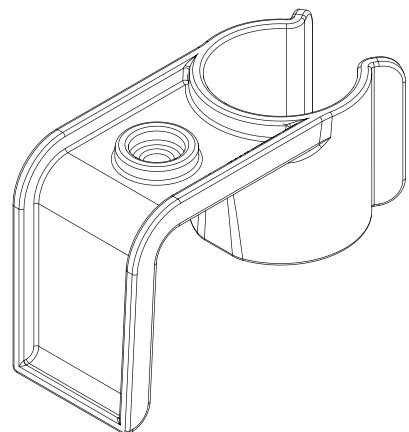
219983



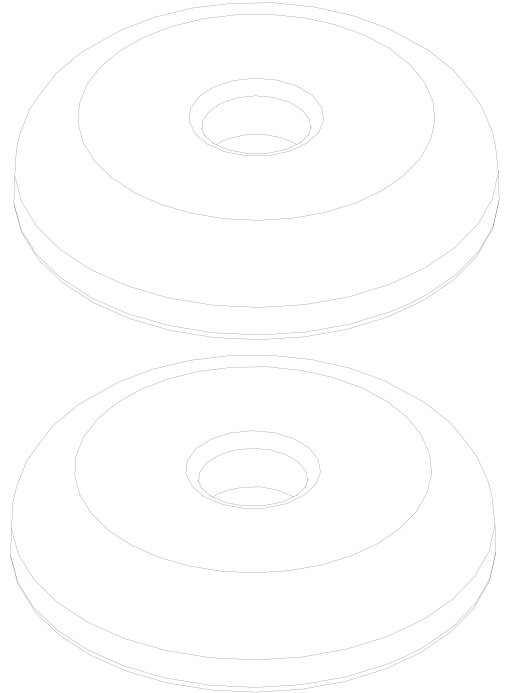
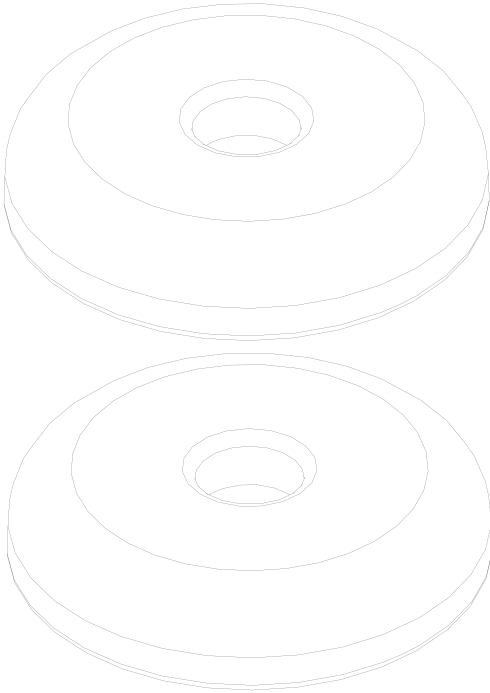
219554



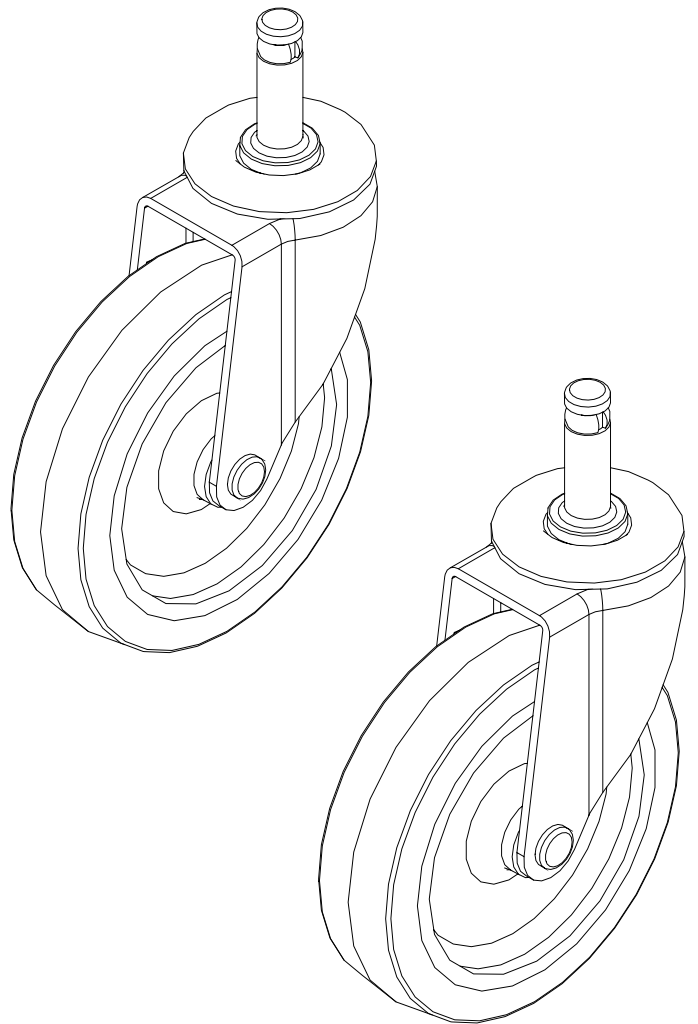
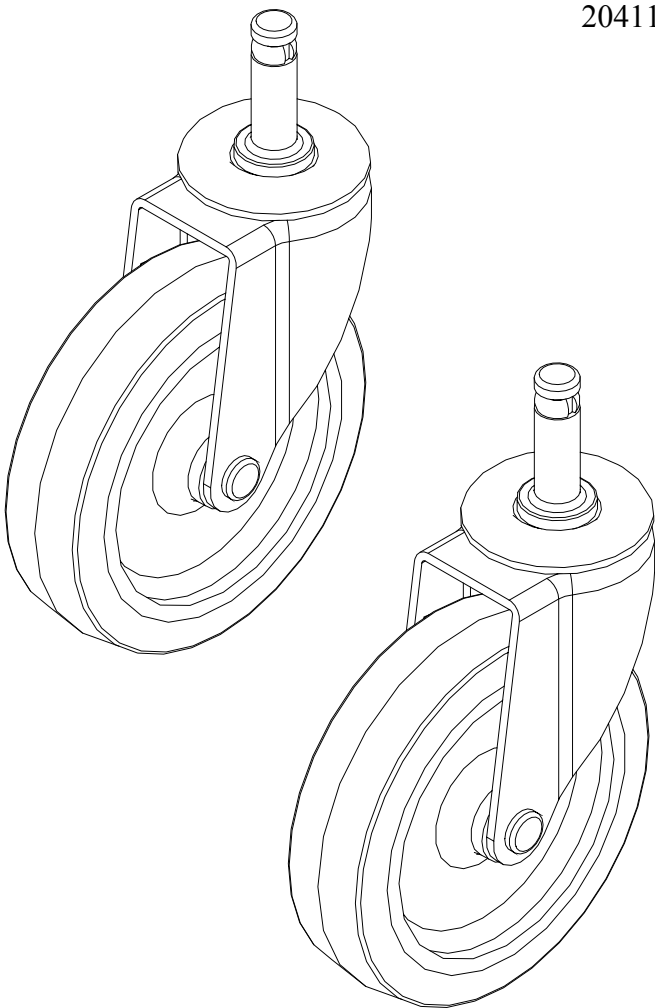
223348

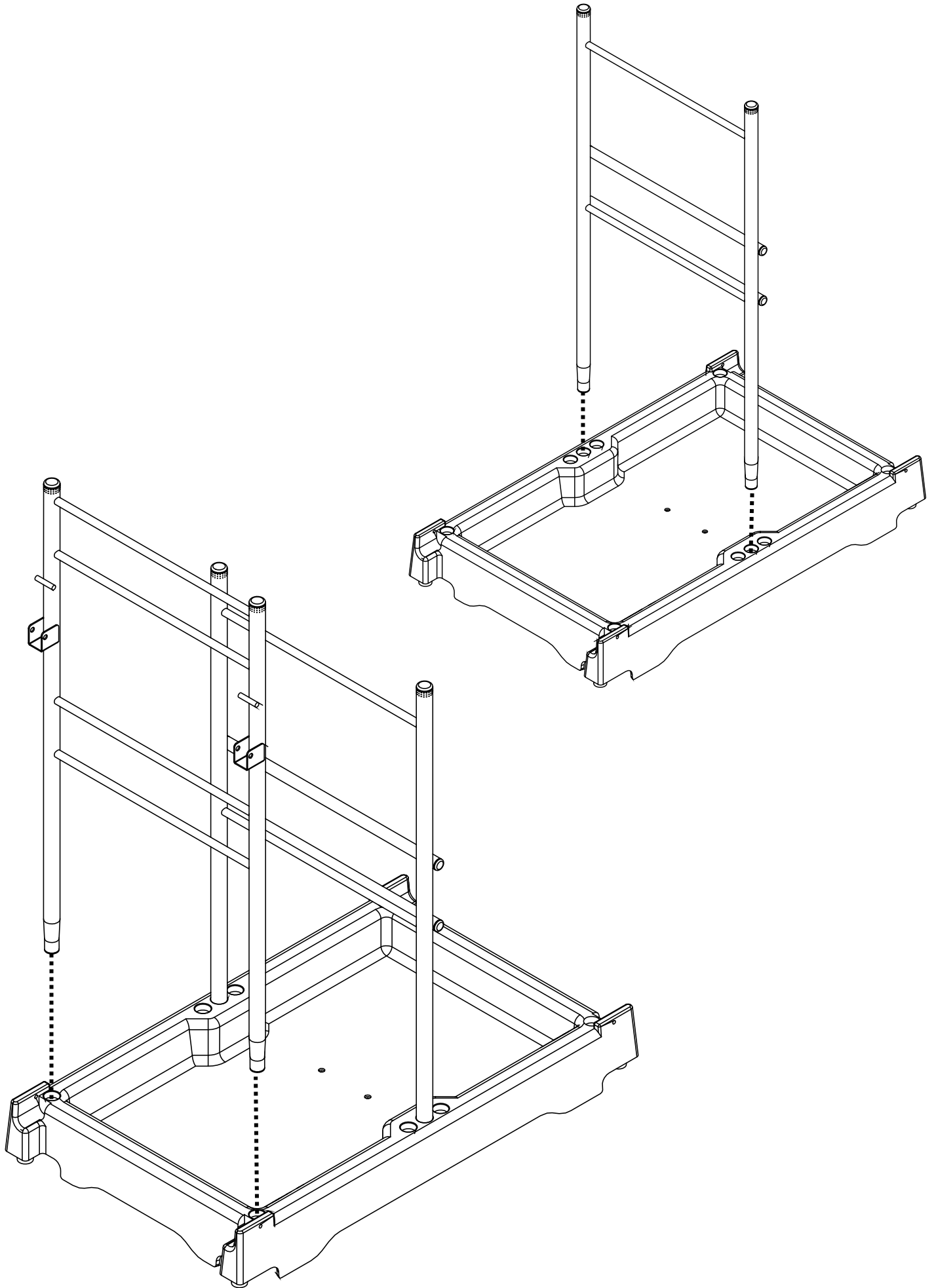


227479

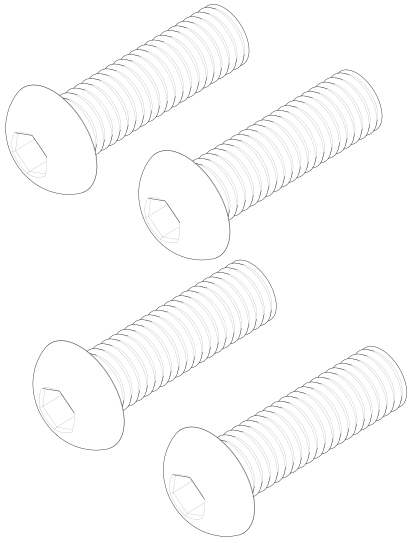


204113

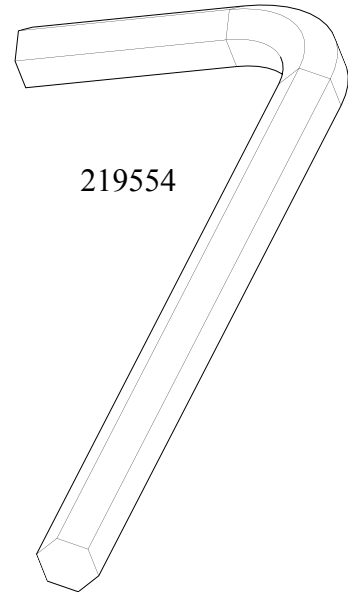
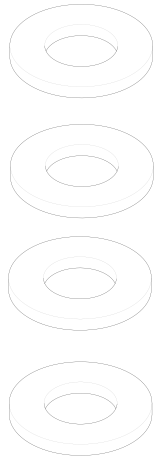




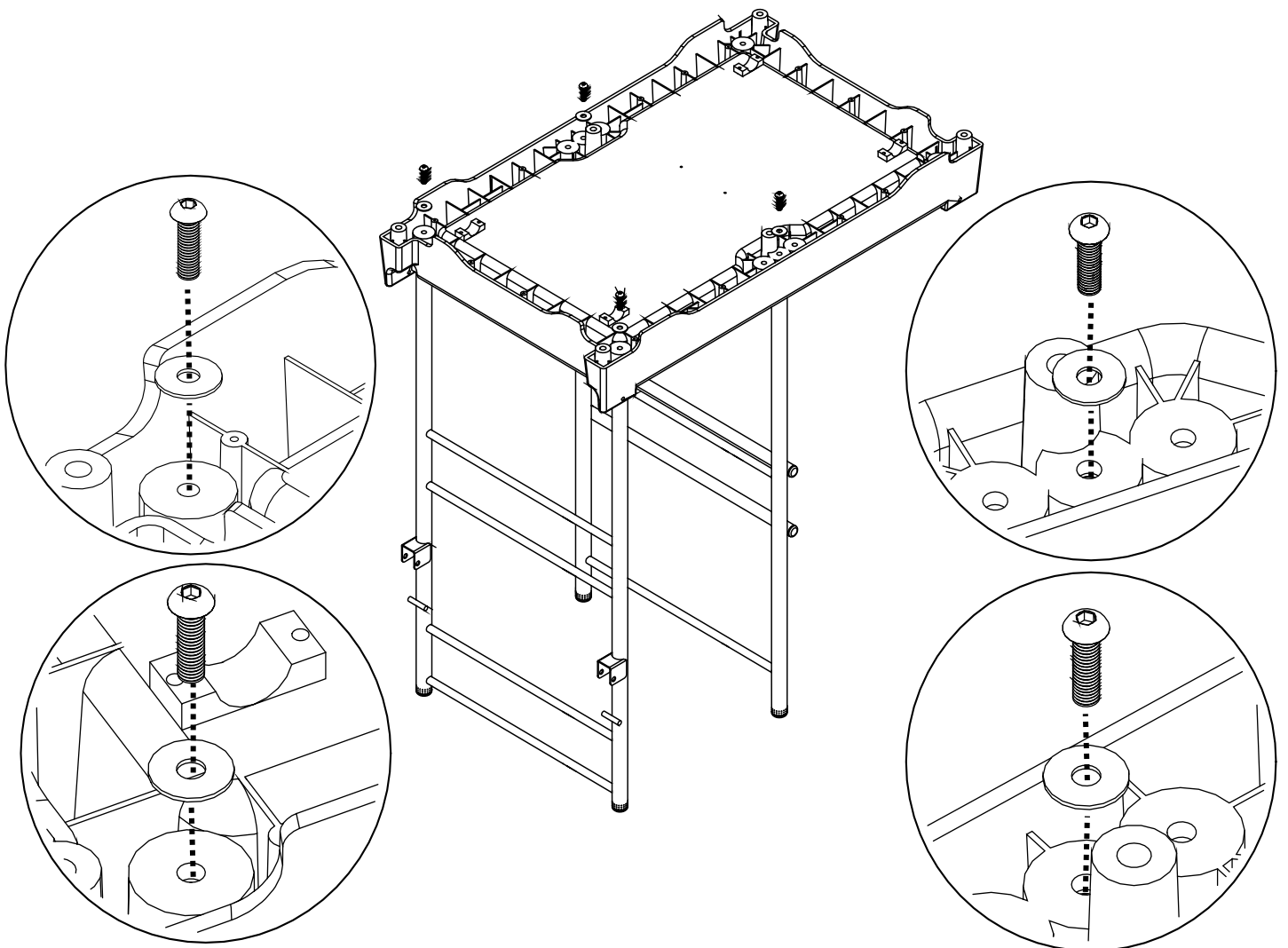
291067



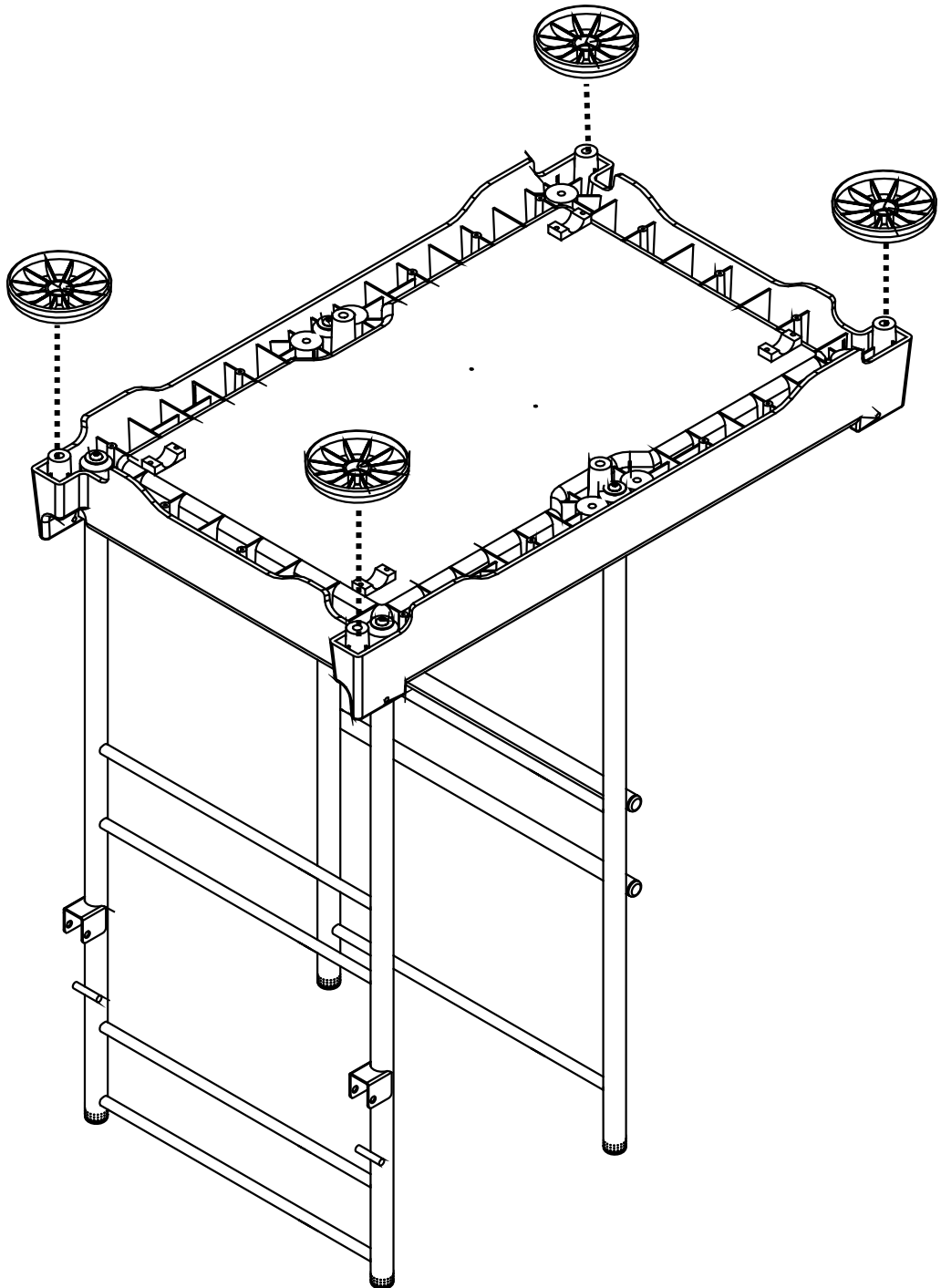
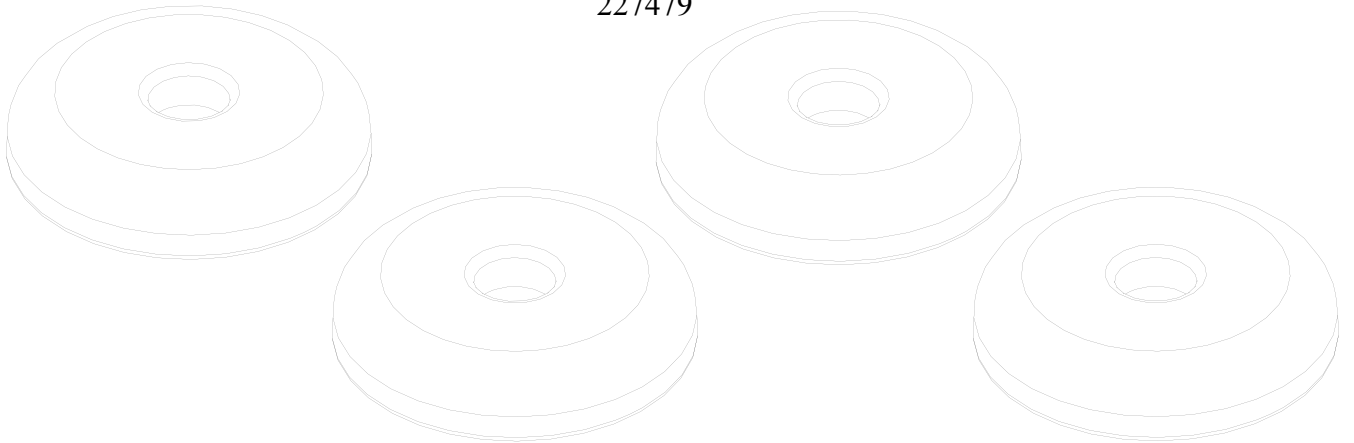
291068



219554

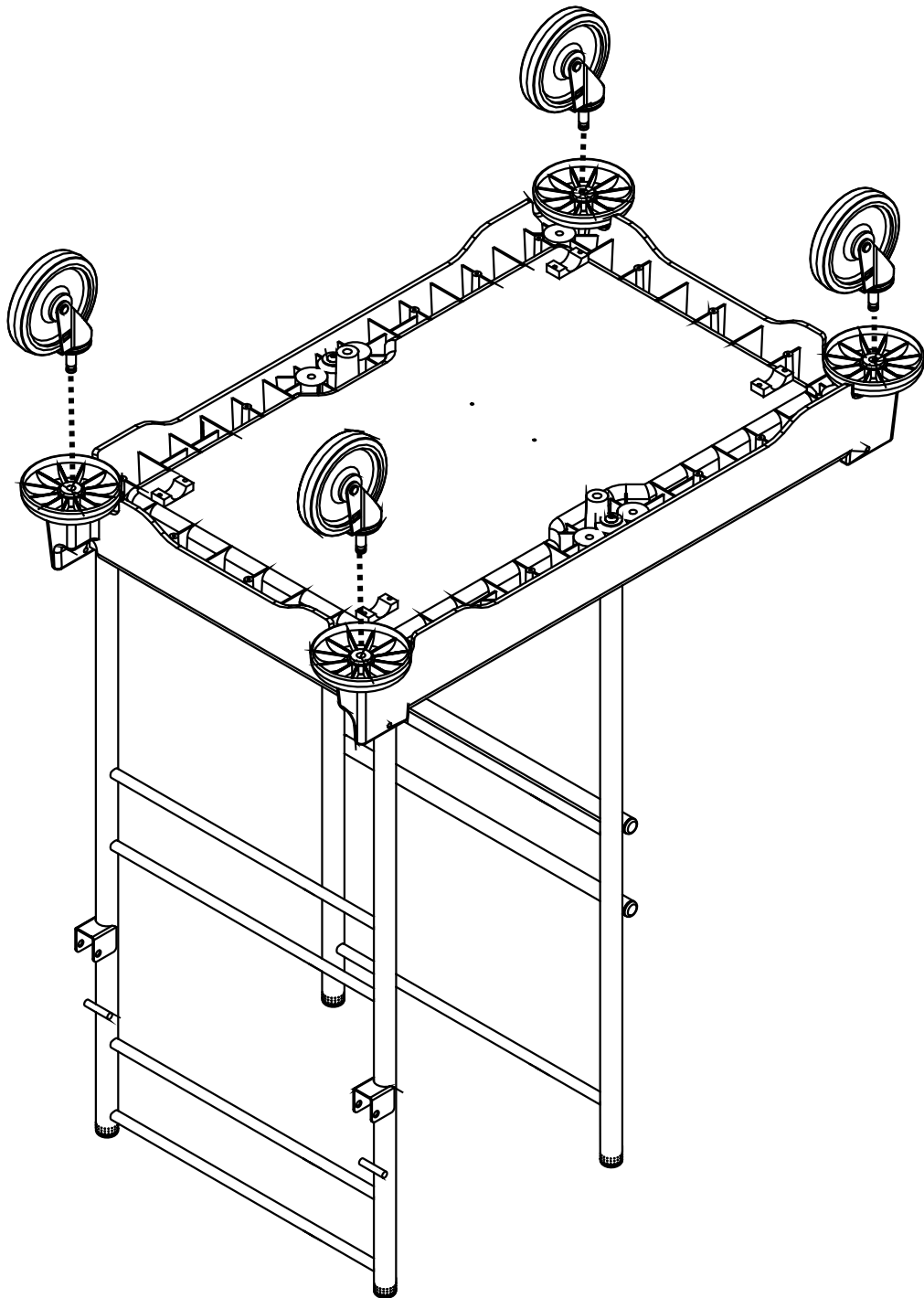
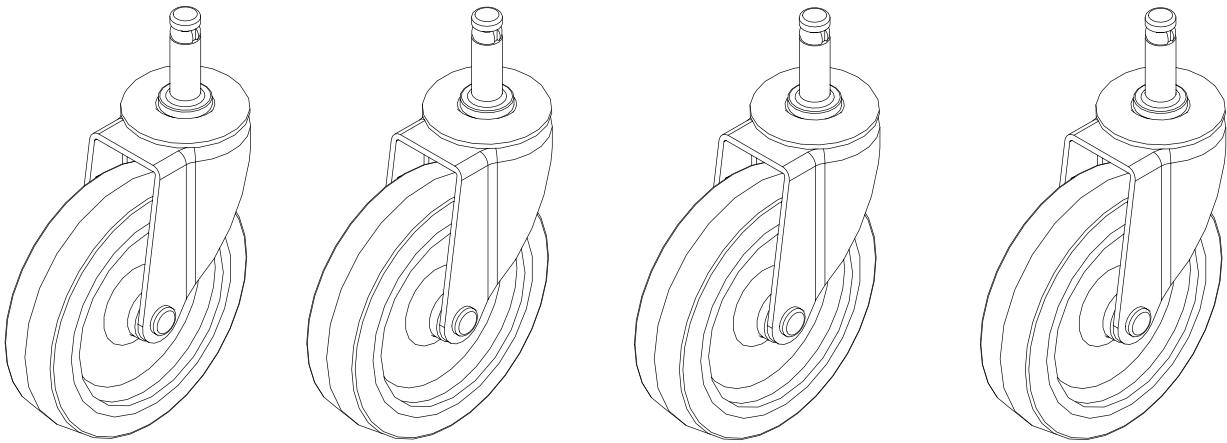


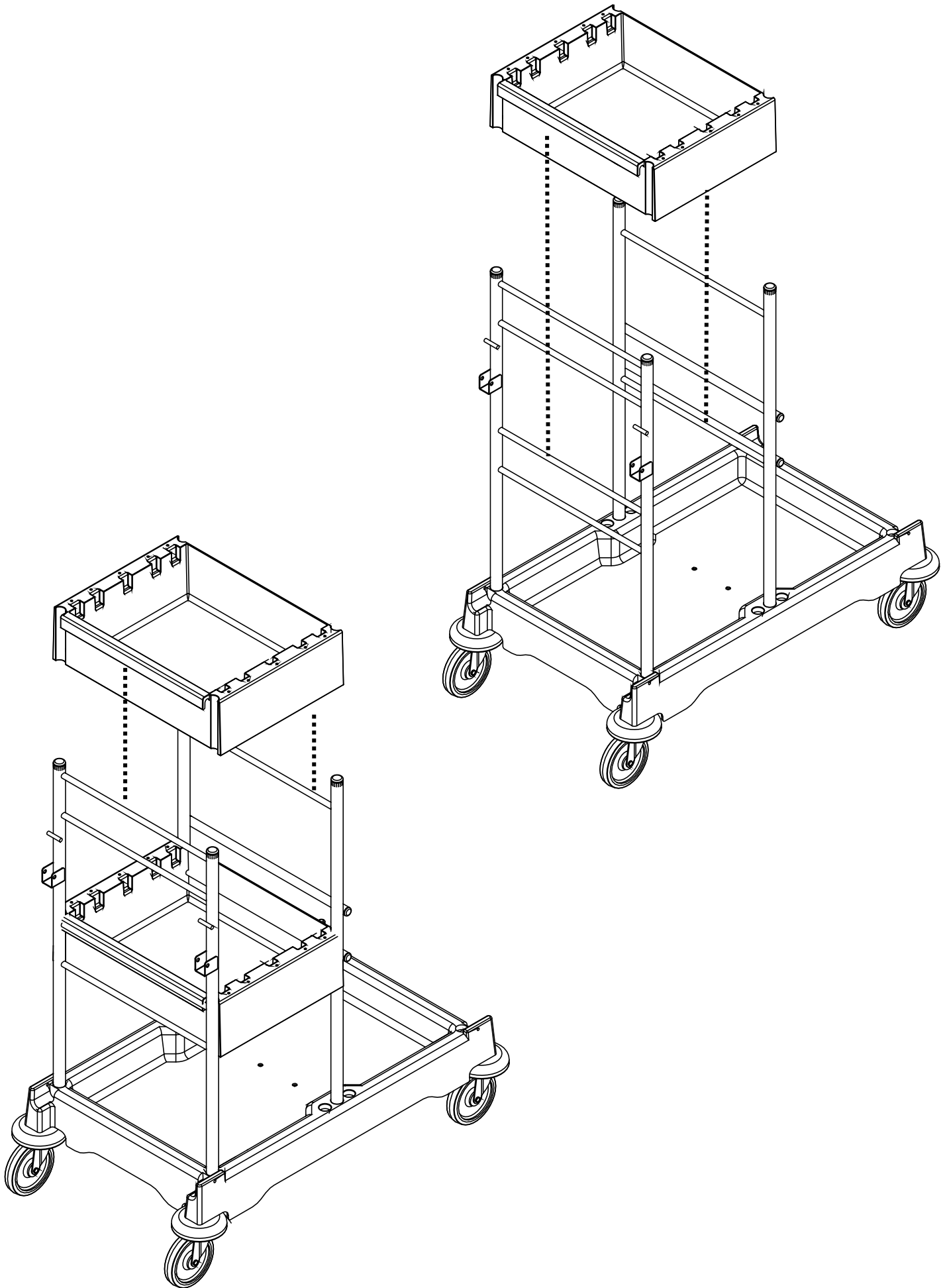
227479



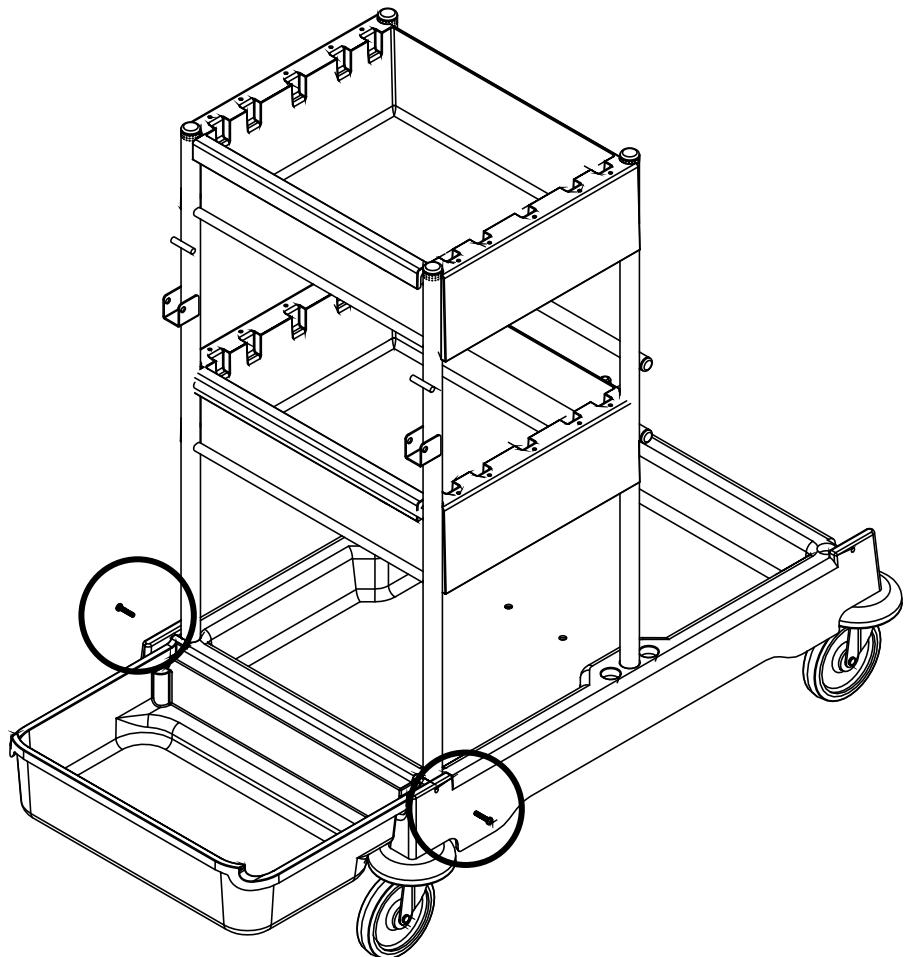
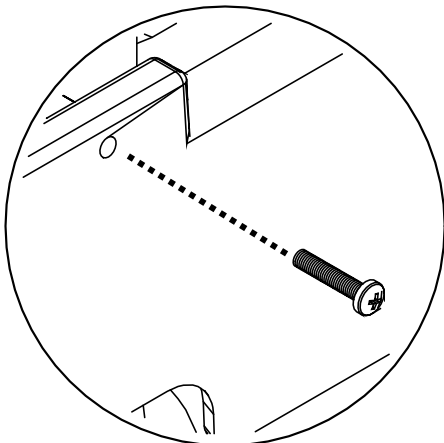
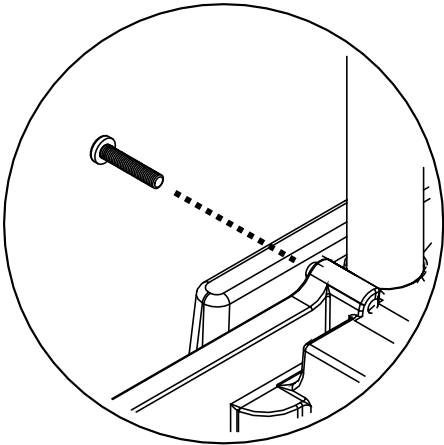
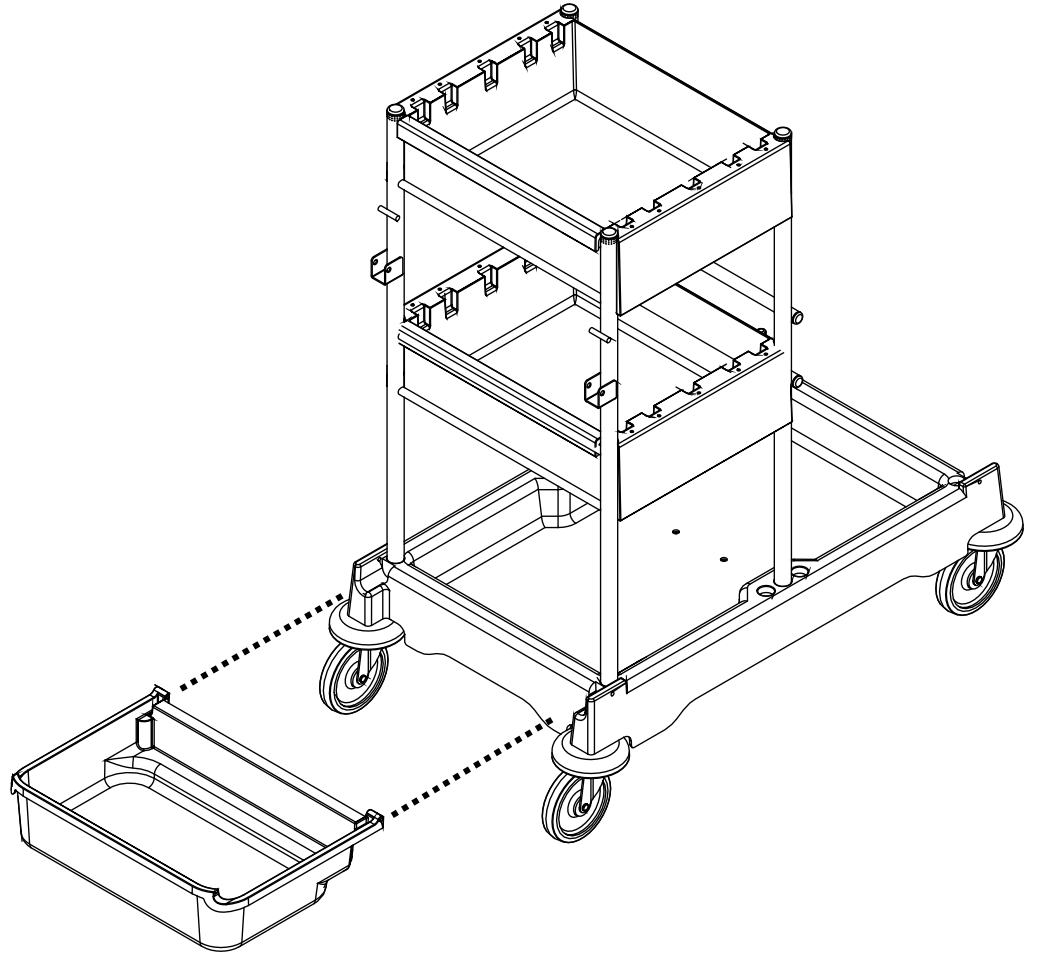
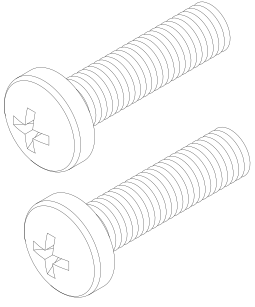


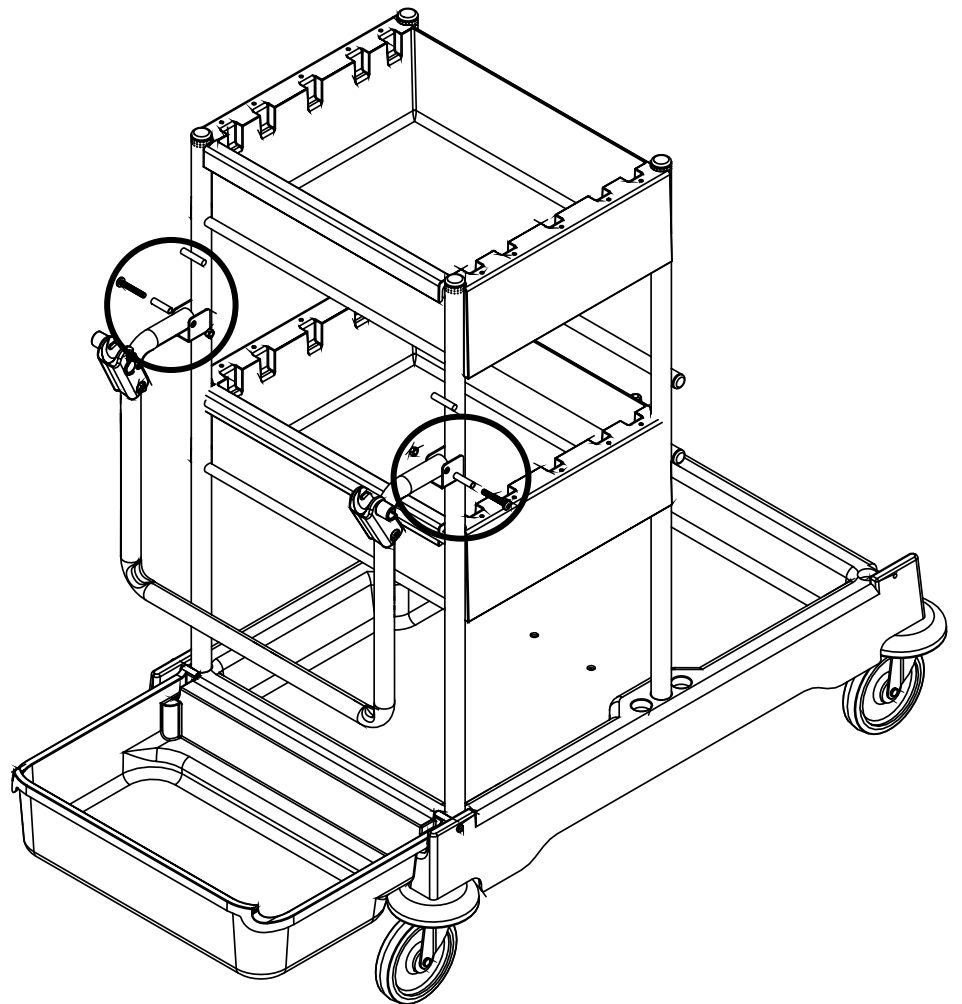
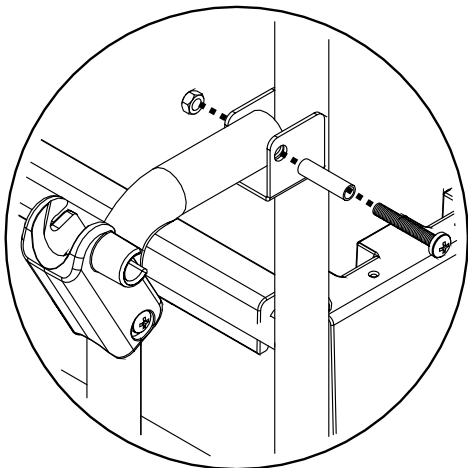
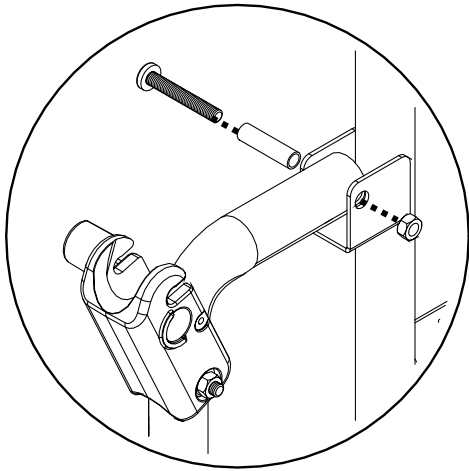
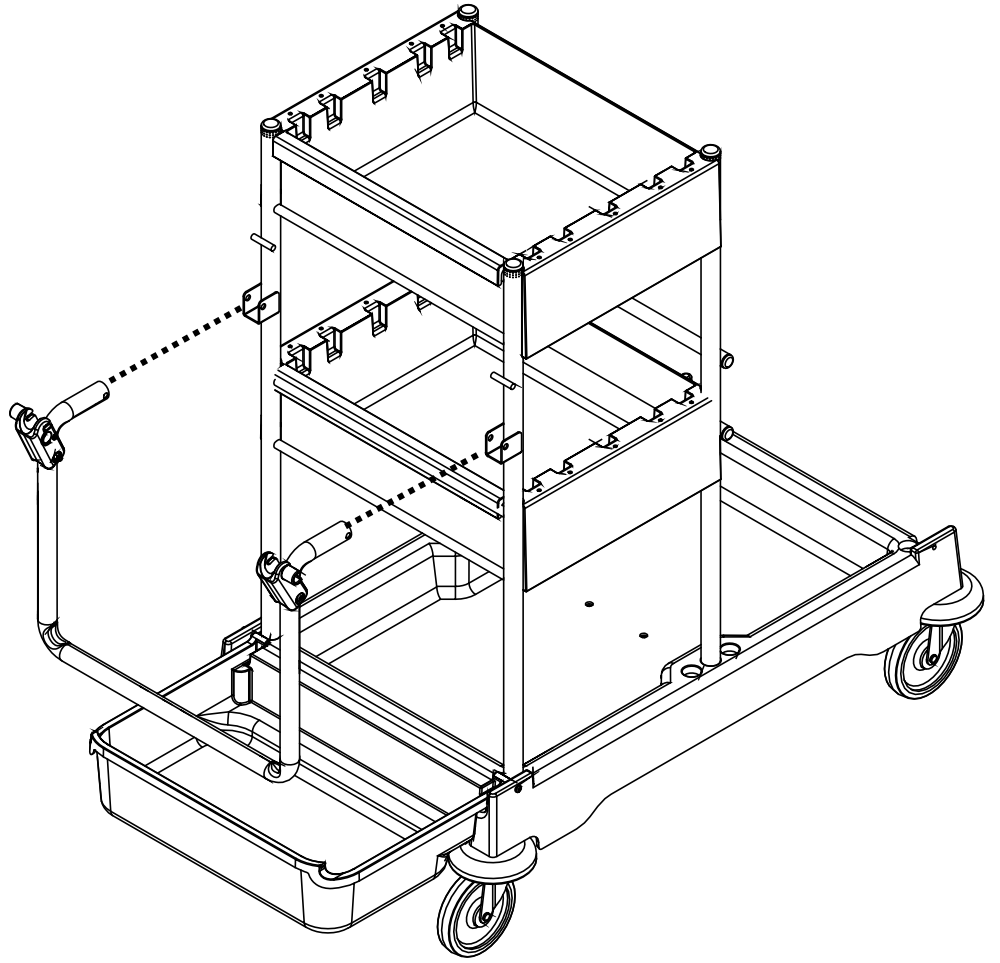
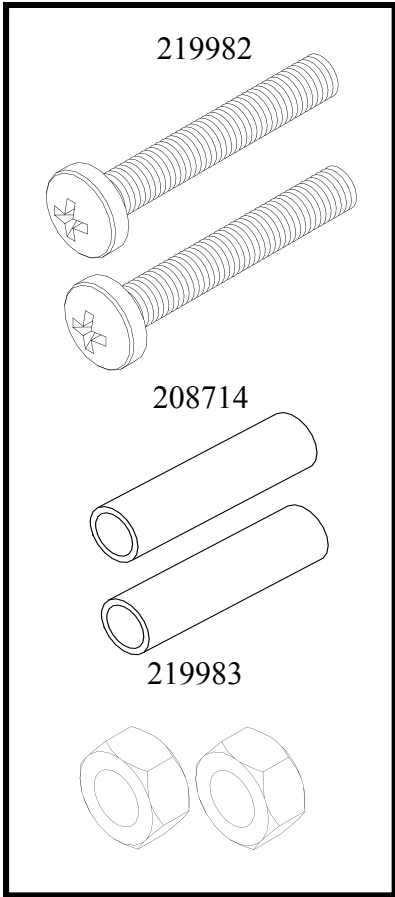
204113

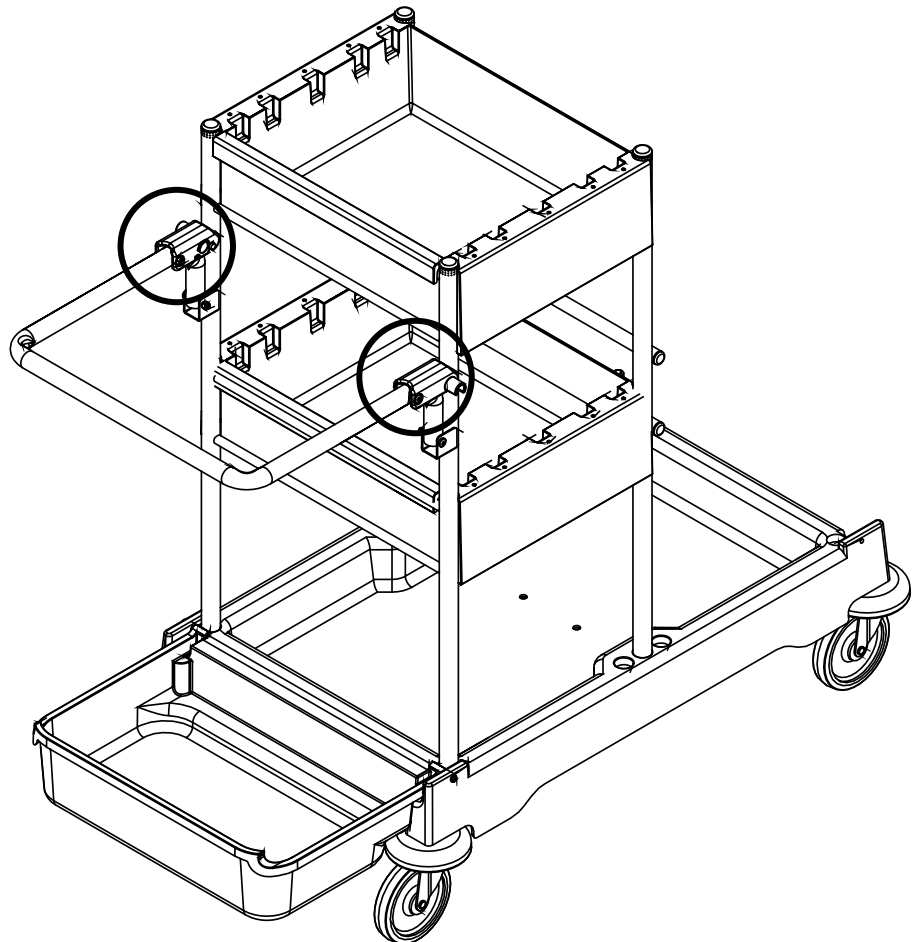
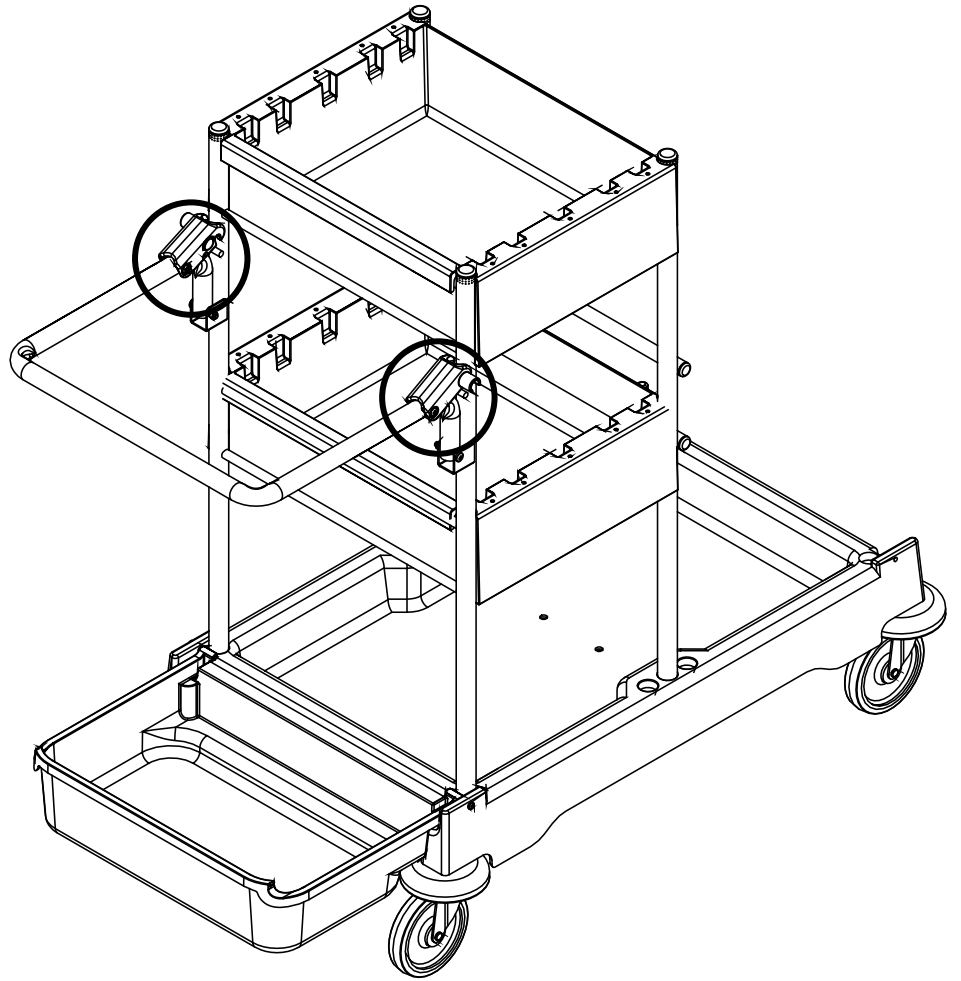
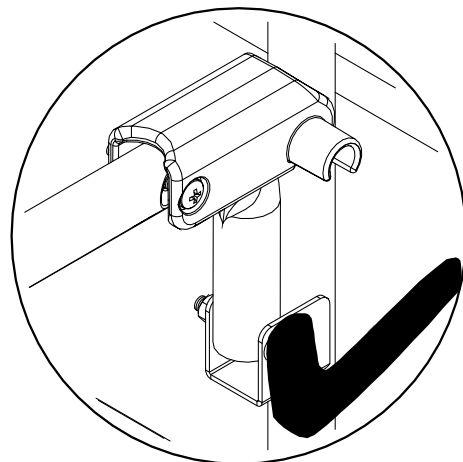
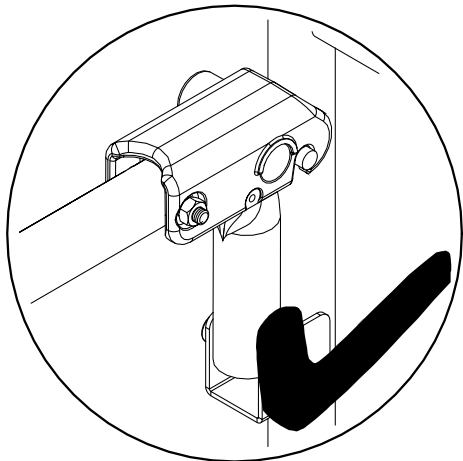
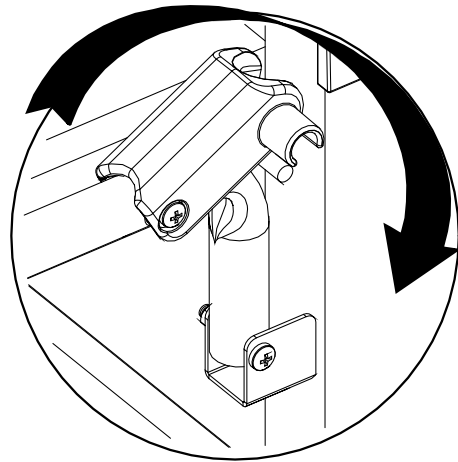
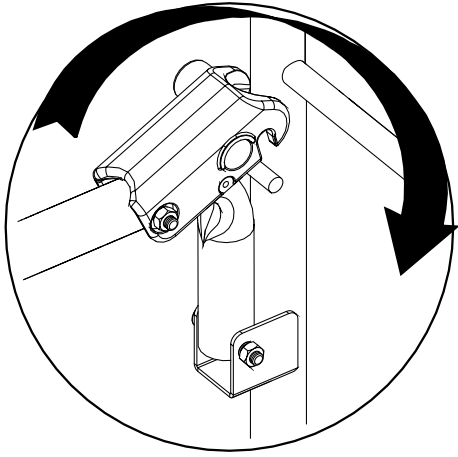




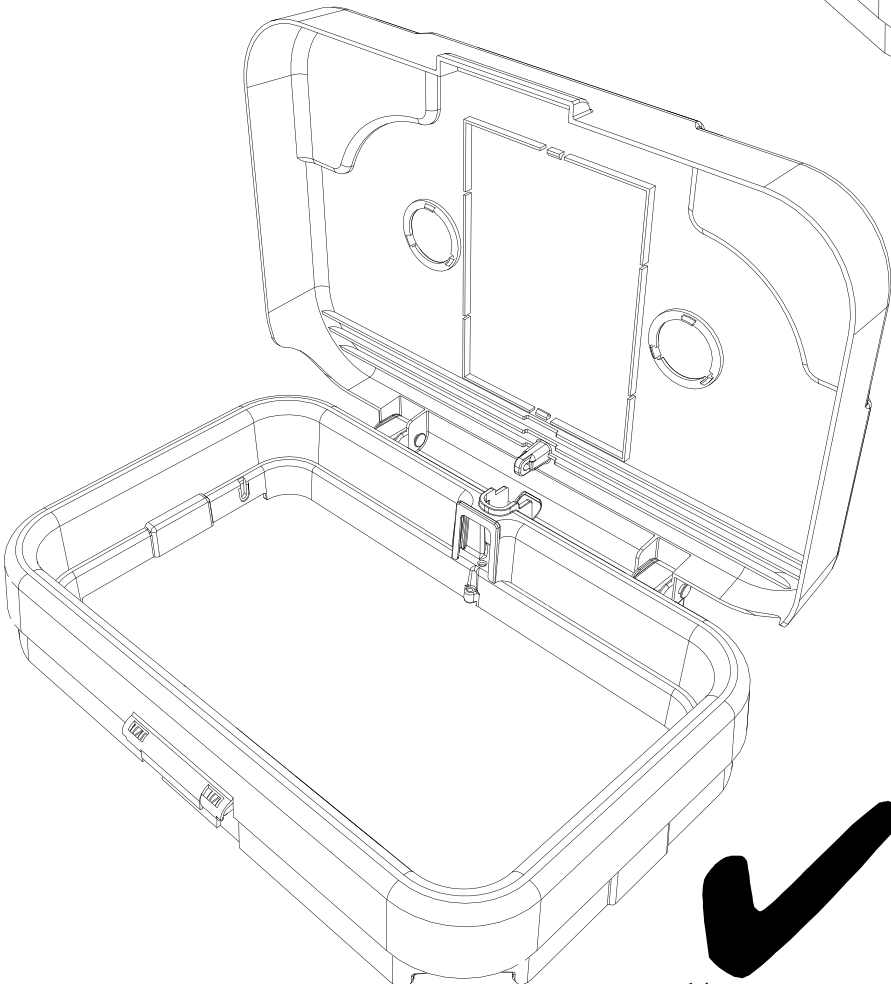
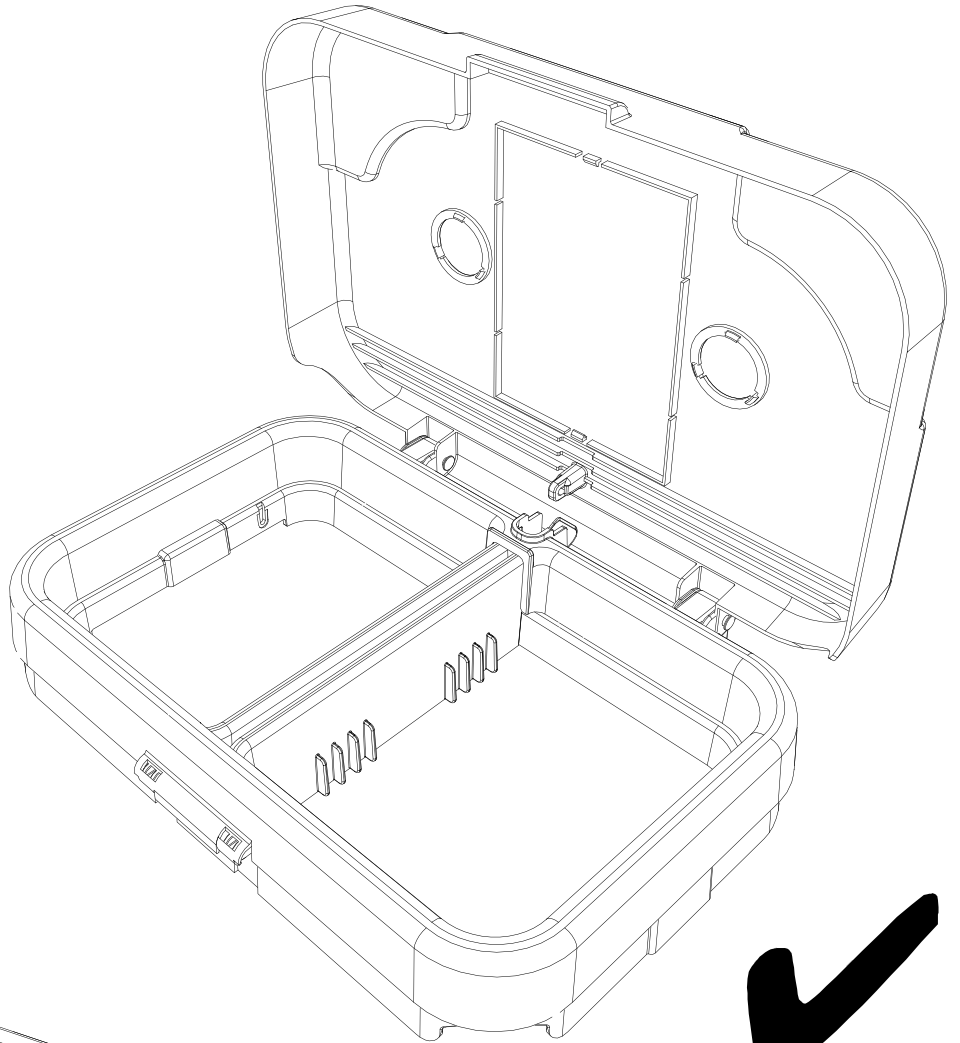
219571







?



?

