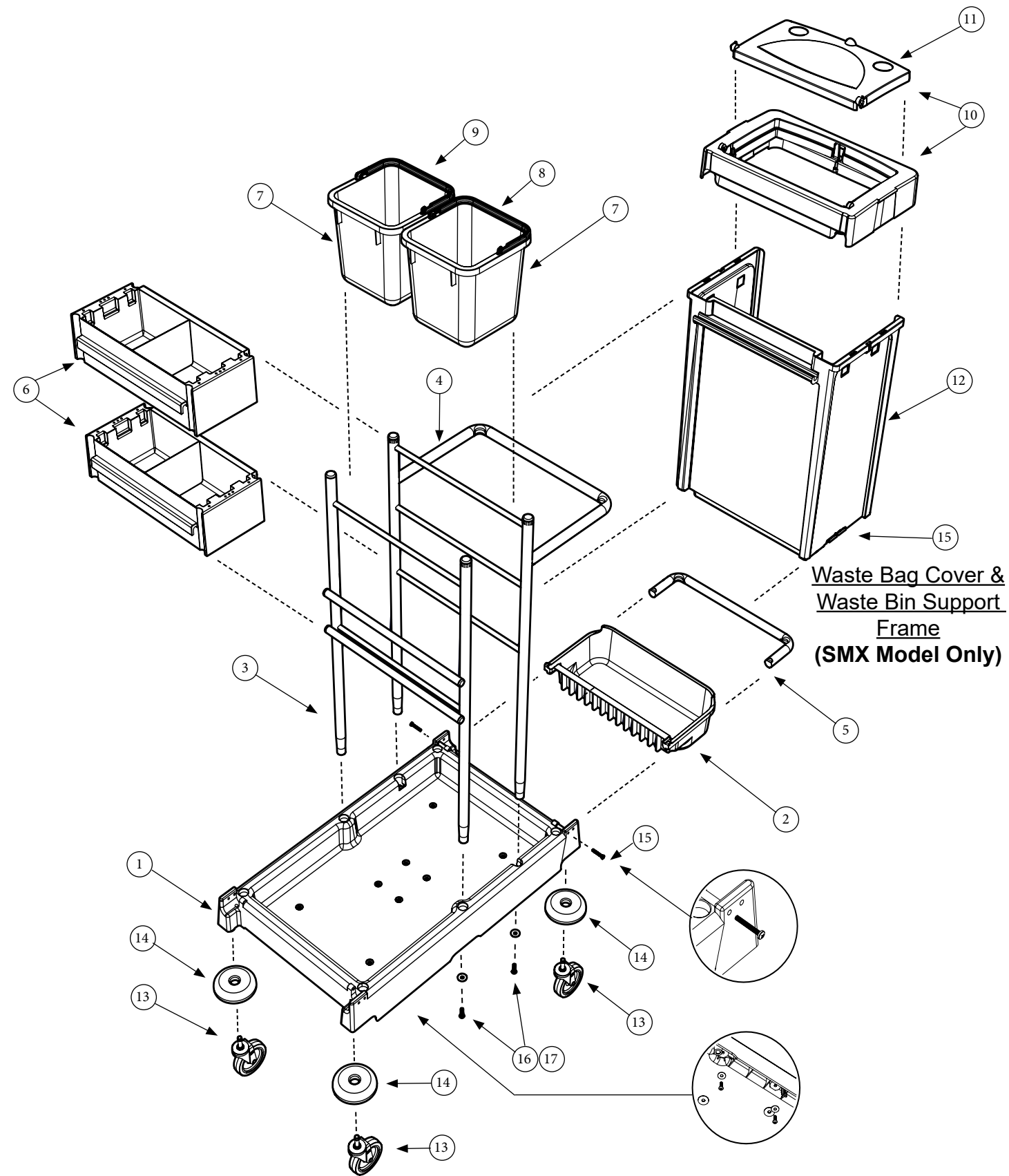


Exploded Spare ServoMatic SM/SMX-1415



Item Number	Item Description	Part Number	Quantity	Trolley Model
1	Large black refo trolley base	910011	1	SM & SMX
2	Bag support tray black refo	910684	1	SM ONLY
3	Front upright frame weld assembly mild steel painted silver	911990	1	SM & SMX
4	Rear upright frame assembly (mild steel) painted silver	911991	1	SM & SMX
5	Waste bin support frame (Short - mild steel) painted silver	912625	1	SMX ONLY
6	Clip on back refo half tray moulding (divided)	910683	2	SM ONLY
7	6 Litre bucket (grey)	905125	2	SM & SMX
8	6L Bucket handle (red)	905157	1	SM & SMX
9	6L Bucket handle (blue)	905158	1	SM & SMX
10	3 Piece Lidset	912676	1	SM & SMX
11	Colour code disc dark grey	223124	2	SM & SMX
12	Waste bag cover (black)	911935	1	SMX ONLY
13	4 Inch stem fitting castor	204062	4	SM & SMX
14	Buffer moulding	227479	4	SM & SMX
15	M5 x 35mm Pozi-pan screw Z/PL	220033	-	SMX ONLY
16	M8 x 25mm LG.Socket bolt Z/PL	219555	-	SM & SMX
17	M8 Washer Z/PL	221154	-	SM & SMX
18	120-Litre grey waste bags (roll of 10 - 700mm x 1100mm) - Optional	908229	0.1	SM & SMX

Revision	A02
Part Number	912046



Numatic International Limited, Chard, Somerset, TA20 2GB
 Telephone: 01460 68600
 Fax: 01460 68458

UNITED KINGDOM: www.numatic.co.uk
 NETHERLANDS: www.numatic.nl
 PORTUGAL: www.numatic.pt

GERMANY: www.numatic.de
 SWITZERLAND: www.numatic.ch
 SPAIN: www.numatic.es

FRANCE: www.numatic.fr
 SOUTH AFRICA: www.numatic.co.za

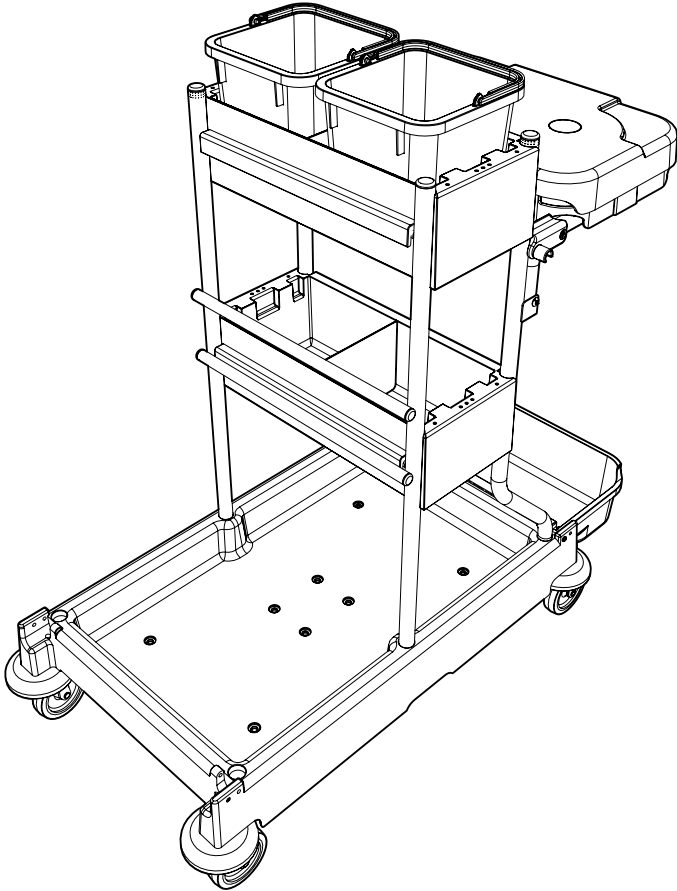
www.numatic.co.uk

Specification subject to change without prior notice
www.numatic.co.uk © Numatic International Limited

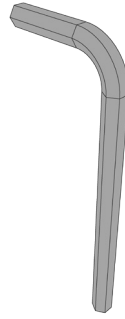
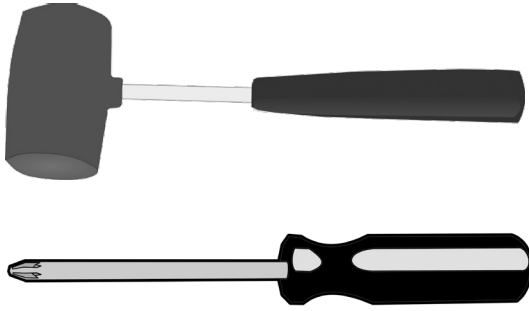
SM-1415

Numatic

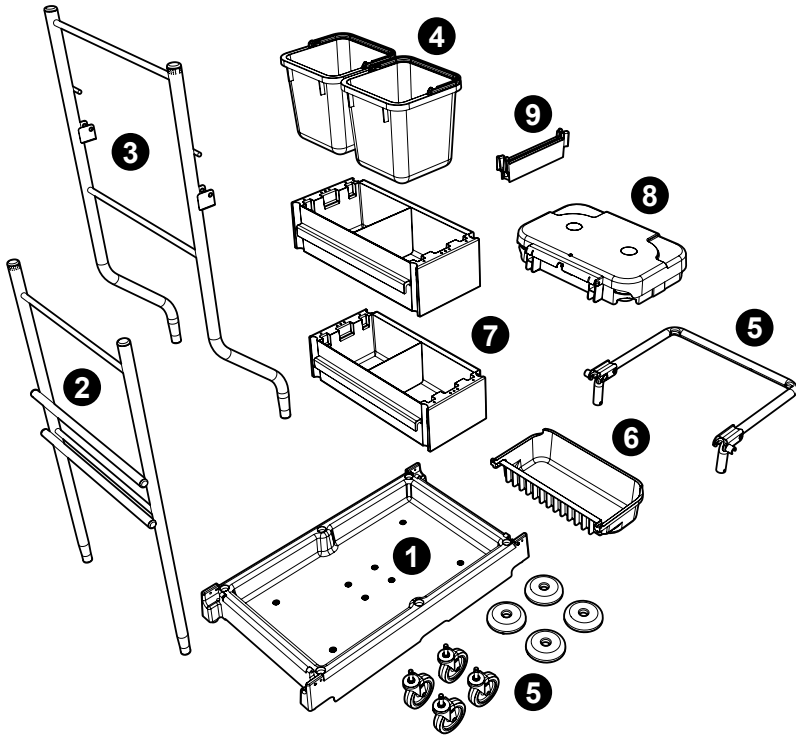
numatic.com



Original Instructions

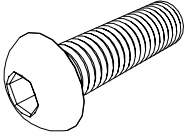


0.45 HR



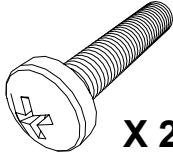
Item	Description	Qty
1	Trolley base	1
2	Front upright frame assembly	1
3	Rear upright frame	1
4	6ltr Bucket	2
5	Lid support frame assembly	1
6	Bag support tray	1
7	Clip on half tray	2
8	3 piece lid set	1
9	(Optional Extra) Bin divider	1

M8 25mm
Socket Bolt



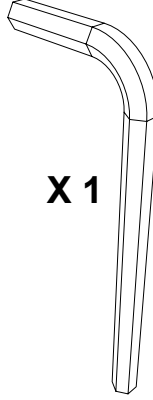
X 4

M5 X 25



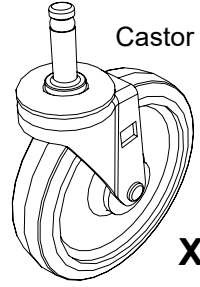
X 2

Allen Key



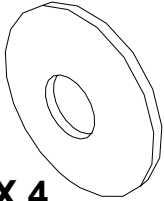
X 1

Castor



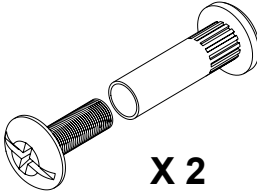
X 4

M8



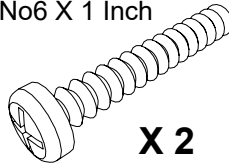
X 4

M6 Screw & sleeve



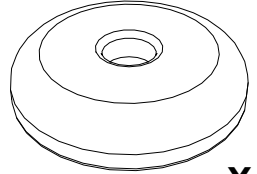
X 2

No6 X 1 Inch

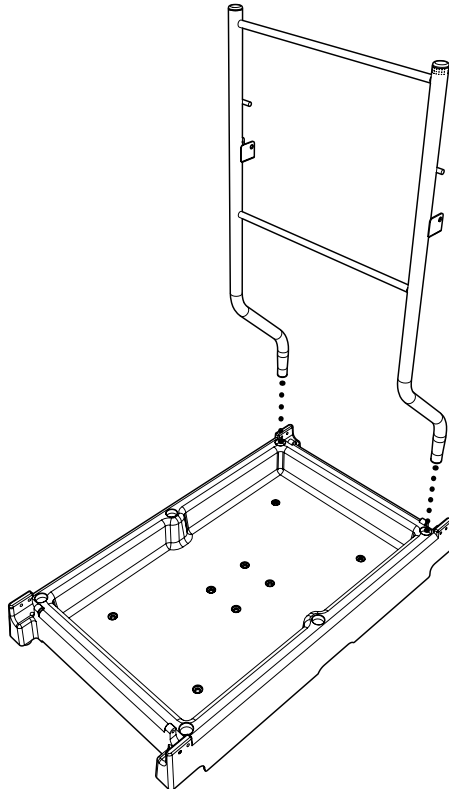


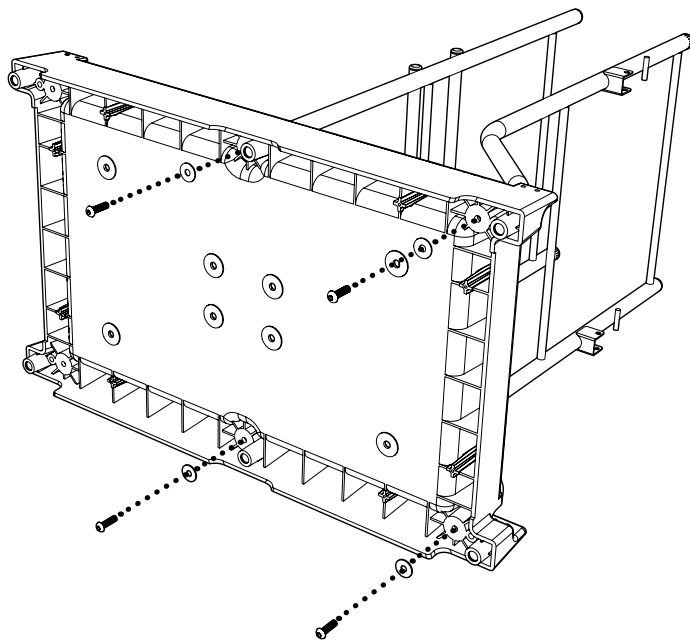
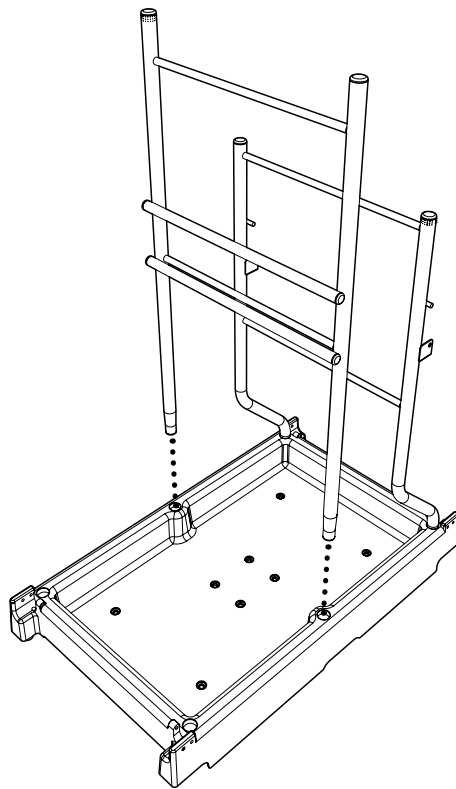
X 2

Buffer

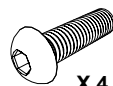


X 4





M8 25mm
Socket Bolt

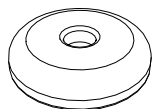


X 4

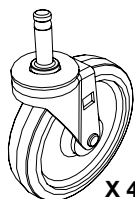
M8



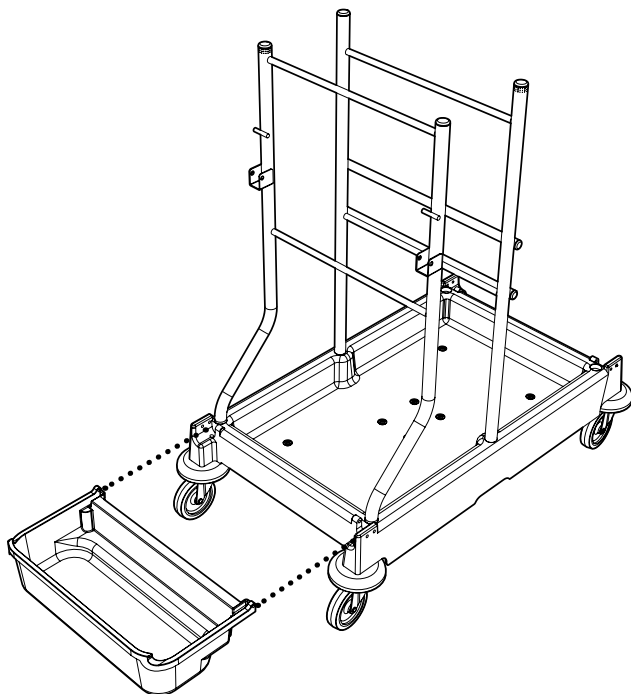
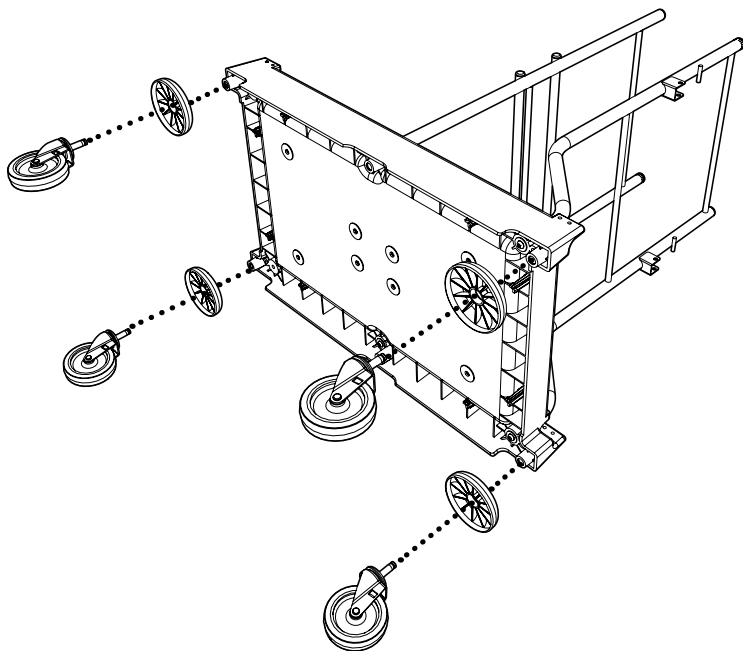
X 4



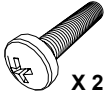
X 4



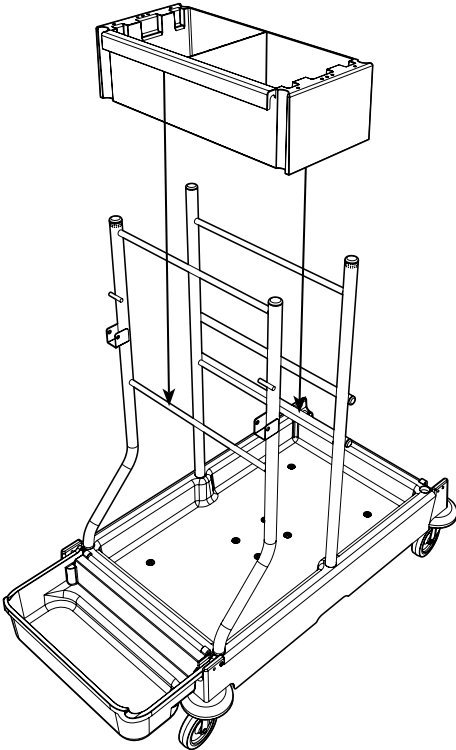
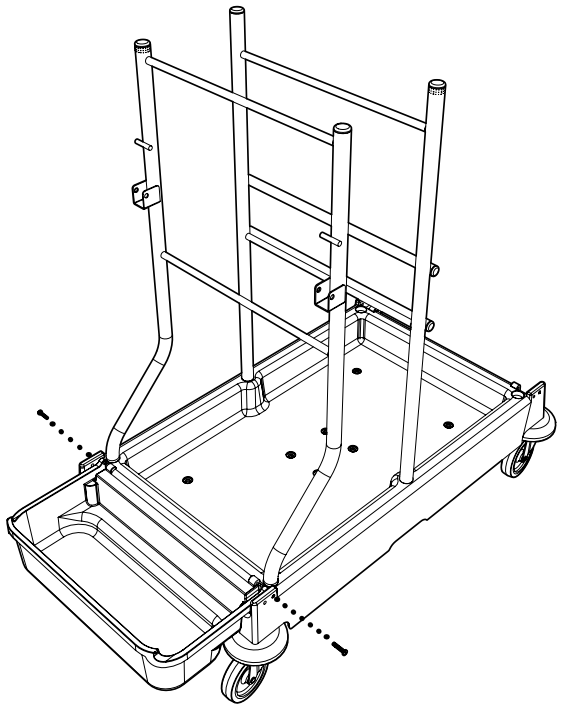
X 4

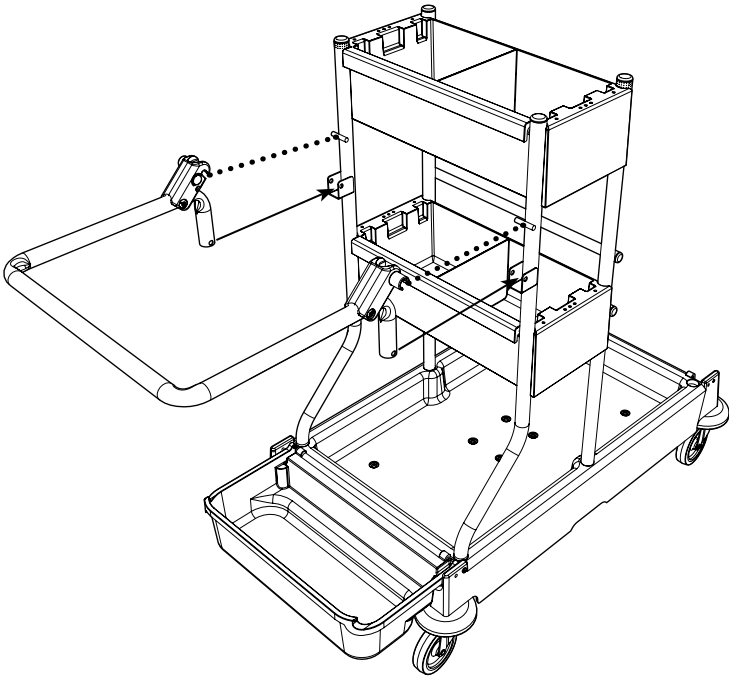
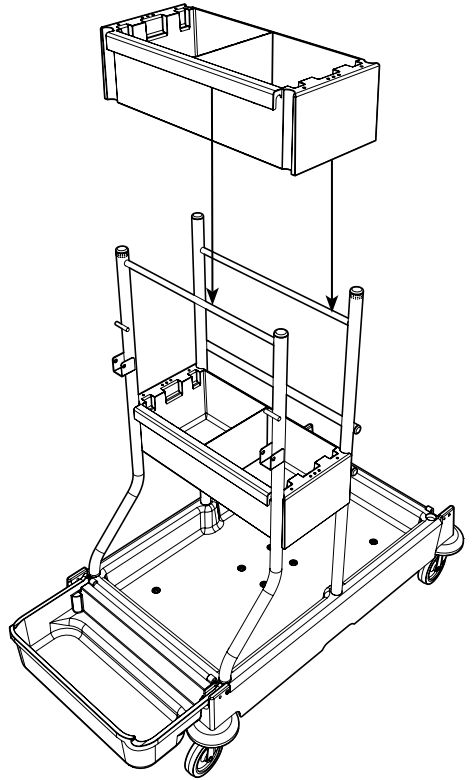


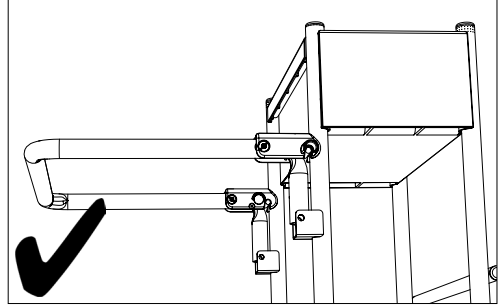
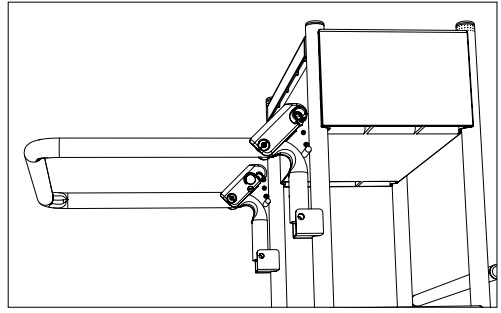
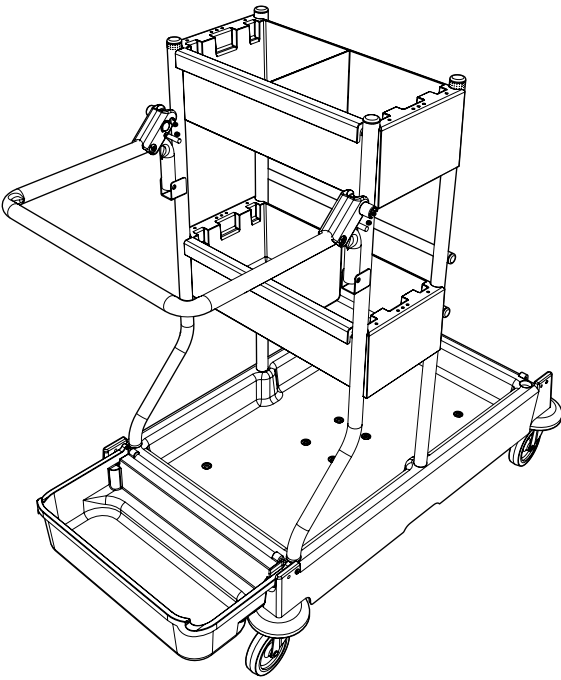
M5 X 25



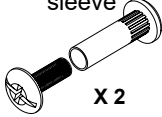
X 2



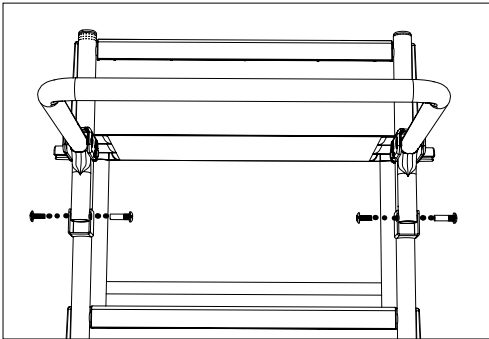
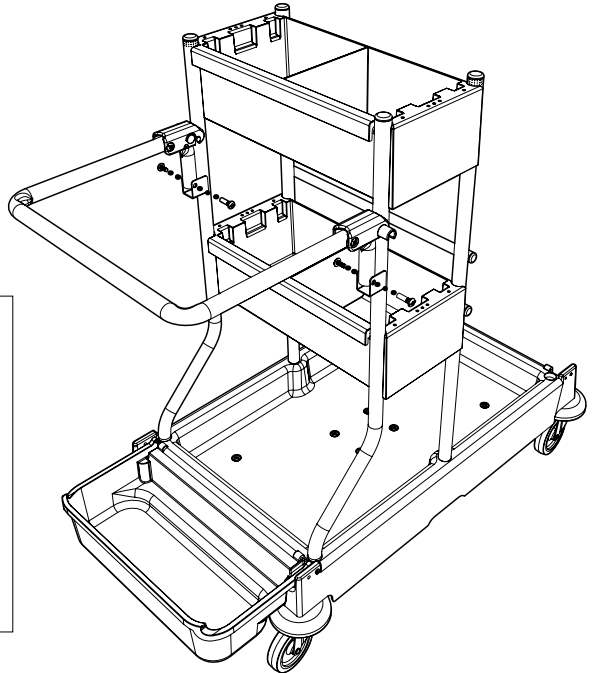


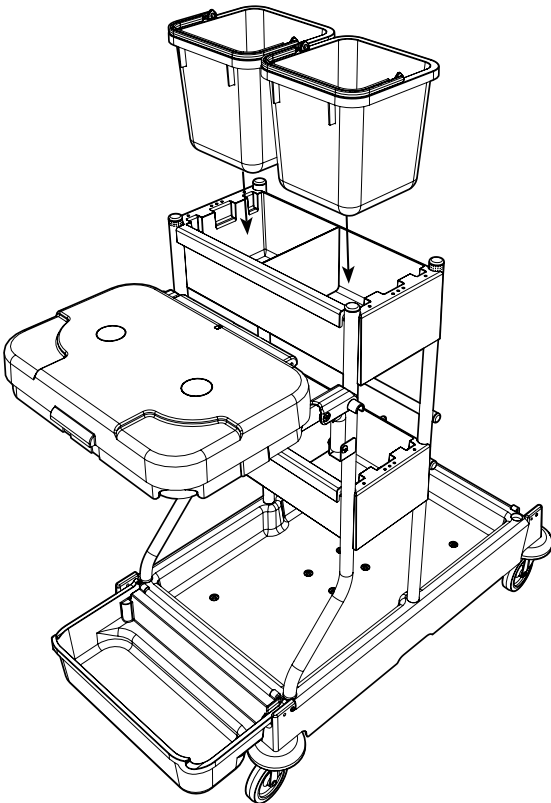
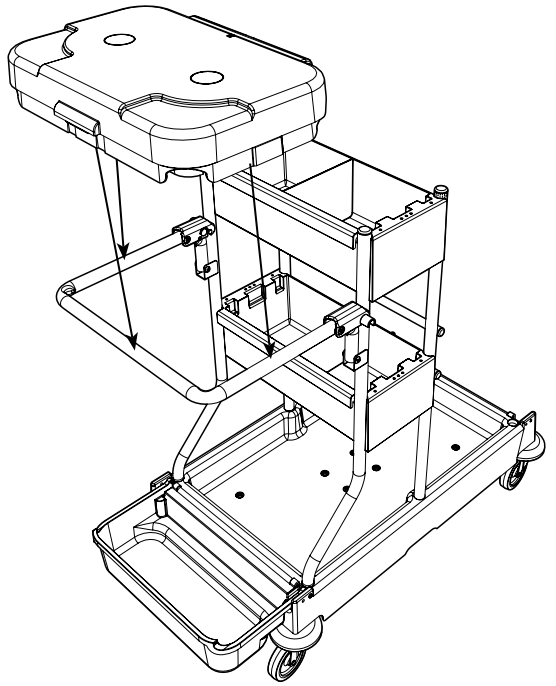


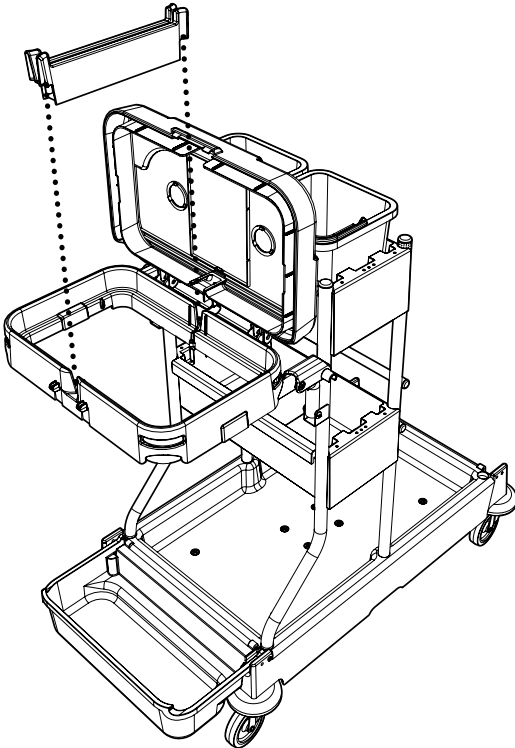
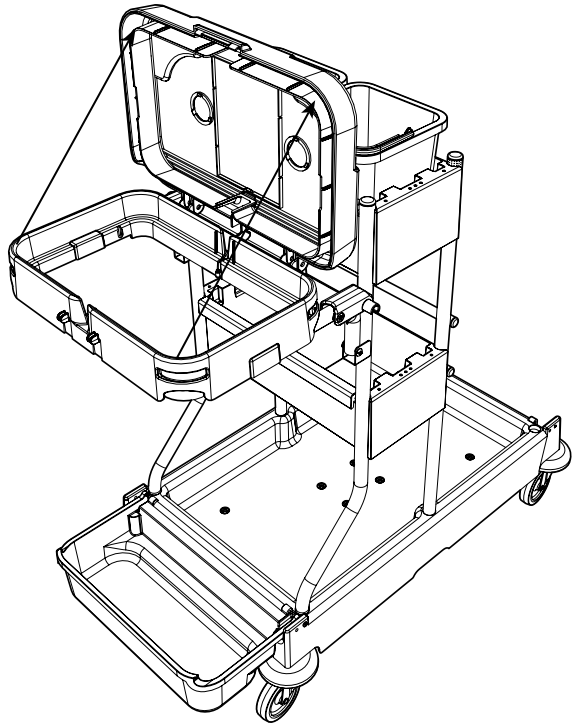
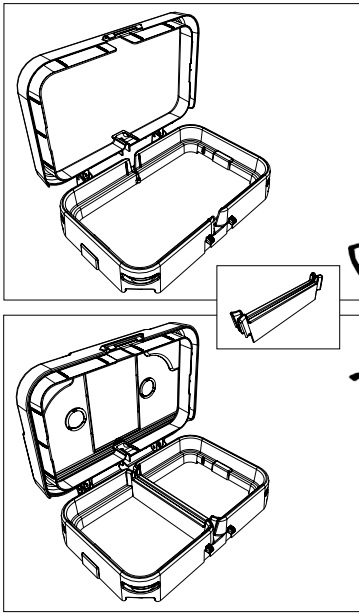
M6 Screw & sleeve

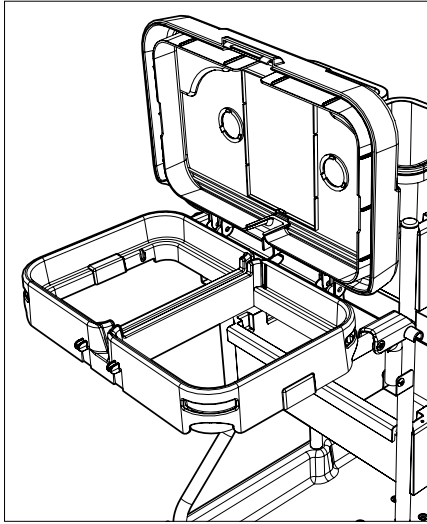


X 2

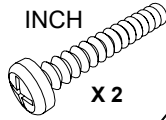








No6 X 1
INCH



X 2

