

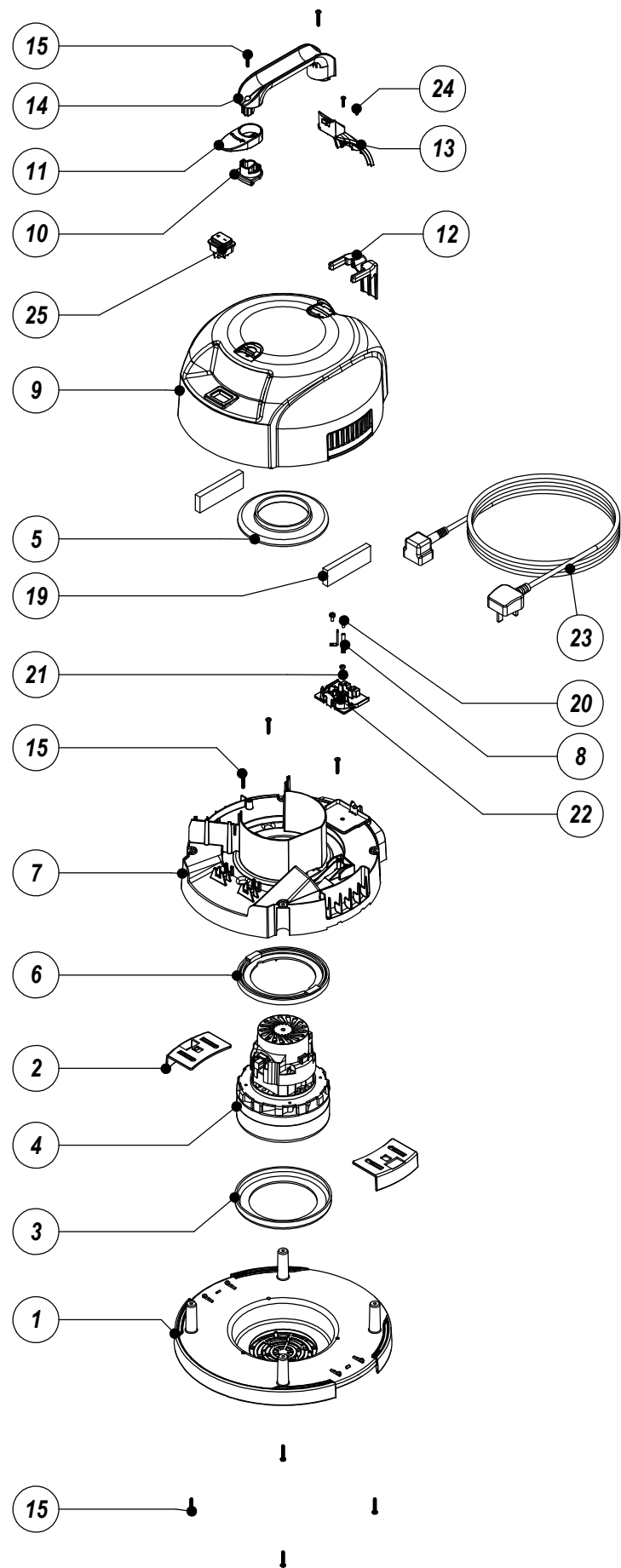
# Numatic International Spare Parts

Model No: HEAD STYLE 50 - WITHOUT PUMP EXPLODED DRAWING

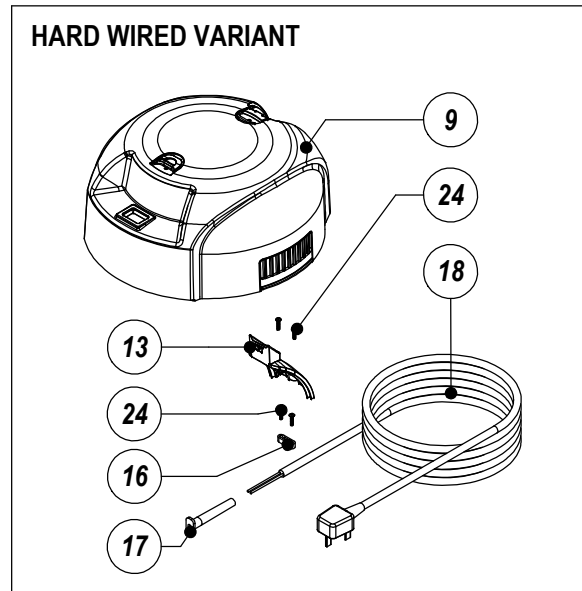
918491  
15/11/2023

DRAWING: DRW-37773

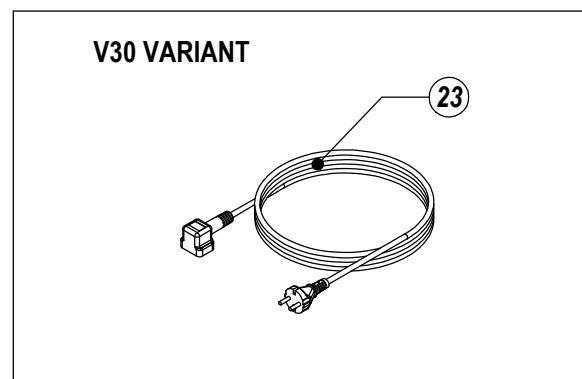
ISS:A01



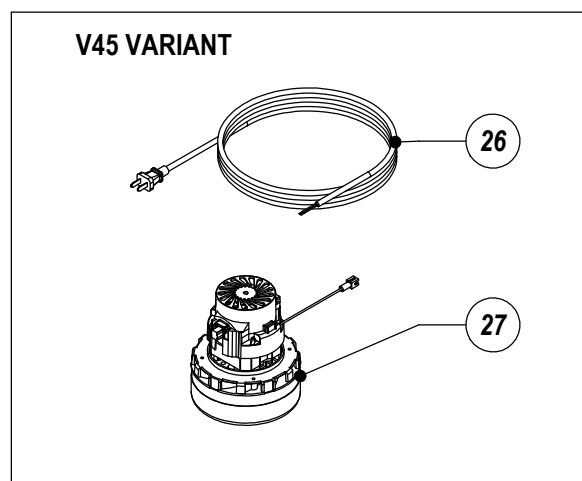
### HARD WIRED VARIANT



### V30 VARIANT



### V45 VARIANT



**NB: FOR WIRING SEE DRAWINGS - DRW-39160 (230V) / DRW-39161 (100V)**

# Numatic International Spare Parts

Model No: HEAD STYLE 50 - WITHOUT PUMP EXPLODED DRAWING

ITEM NO.	PART NUMBER	DESCRIPTION	Charles (Plugged)	Charles (Hardwired)	CVC370	CVC Plugged
			V16/ QTY	V16/ QTY	V45/ QTY	V30/ QTY
1	914239	12" WET VAC BOTTOM MOTOR HOUSING	1	1	1	1
2	237115	NRV HARD EDGE TOGGLE	2	2	2	2
3	202031	MOTOR BOTTOM GASKET	1	1	1	1
4	205443	230V 2 STAGE D.I BYPASS ACUSTEK MOTOR (BL21104T) (MARKED 230V) TCO	1	1	-	1
5	227926	AIR SEPERATOR	1	1	1	1
6	227925	TOP MOTOR GASKET (AMETEK BYPASS MOTOR)	1	1	1	1
7	914237	12" WET VAC TOP MOTOR HOUSING	1	1	1	1
8	206562	CONTACT PIN	2	-	-	2
9	914234	12" WET VAC COVER	1	-	-	1
	914233	12" WET VAC COVER	-	1	1	-
10	906072	CABLE MANAGEMENT HANDLE - LOWER HOUSING	1	1	1	1
11	906073	CABLE MANAGEMENT HANDLE - SWIVEL LOCK	1	1	1	1
12	914243	12" WET VAC CABLE HOOK	1	1	1	1
13	914241	12" WET VAC PLUG COVER	1	-	-	1
	914242	12" WET VAC PLUG COVER	-	1	1	-
14	914240	12" WET VAC HANDLE	1	1	1	1
15	219369	No8 X 1 INCH LONG POZI PAN STAINLESS STEEL PLASTITE SCREW	9	9	9	9
16	227008	BLACK CABLE CLAMP	-	1	1	-
17	220923	STRESS RELIEF	-	1	1	-
18	236033	10.0M X 1.00MM X 2 CORE CABLE (UK PLUG)	-	1	-	-
19	914401	BYPASS SIDE EXHAUST FOAM	2	2	2	2
20	291151	M4 X 10MM LONG T20 SEMS SCREW Z/PL - PRODUCT CODE 8.8 - TX20 HEAD	2	2	2	2
21	291152	NO8.1/2 INCH LG.T20.SCREW.Z/PL.PLASTITE	1	1	1	1
22	914402	12" WET VAC TERMINAL BLOCK SUB ASSEMBLY	1	1	1	1
23	236009	10 METRE X 1MM X 2 CORE CABLE BLACK (SOCKET + UK PLUG)	1	-	-	-
	236123	MAINS CABLE 10.0MT X 1.0MM X 2 CORE YELLOW CABLE (SOCKET + PLUG) EURO	-	-	-	1
24	219914	NO6.5/8 INCH LG.POZI-PAN.SCREW.STAINLESS STEEL.PLASTITE	2	4	4	2
25	914474	GREEN / BLACK EVEREL (NON ILLUMINATED) 125V / 250V ON/OFF ROCKER SWITCH	1	1	1	1
26	236101	10M X 2 CORE X 1.25MM VCTF CABLE (JAPAN)	-	-	1	-
27	915592	100V 2 STAGE D.I BYPASS ACUSTEK MOTOR (BL21100T) (205440) PROCESSED WITH FEMALE MATE N LOCK RECEPTICAL HOUSING & CRIMP	-	-	1	-

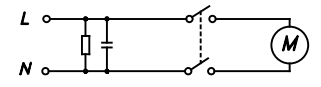
# WIRING DIAGRAM

Comp. No  
915340

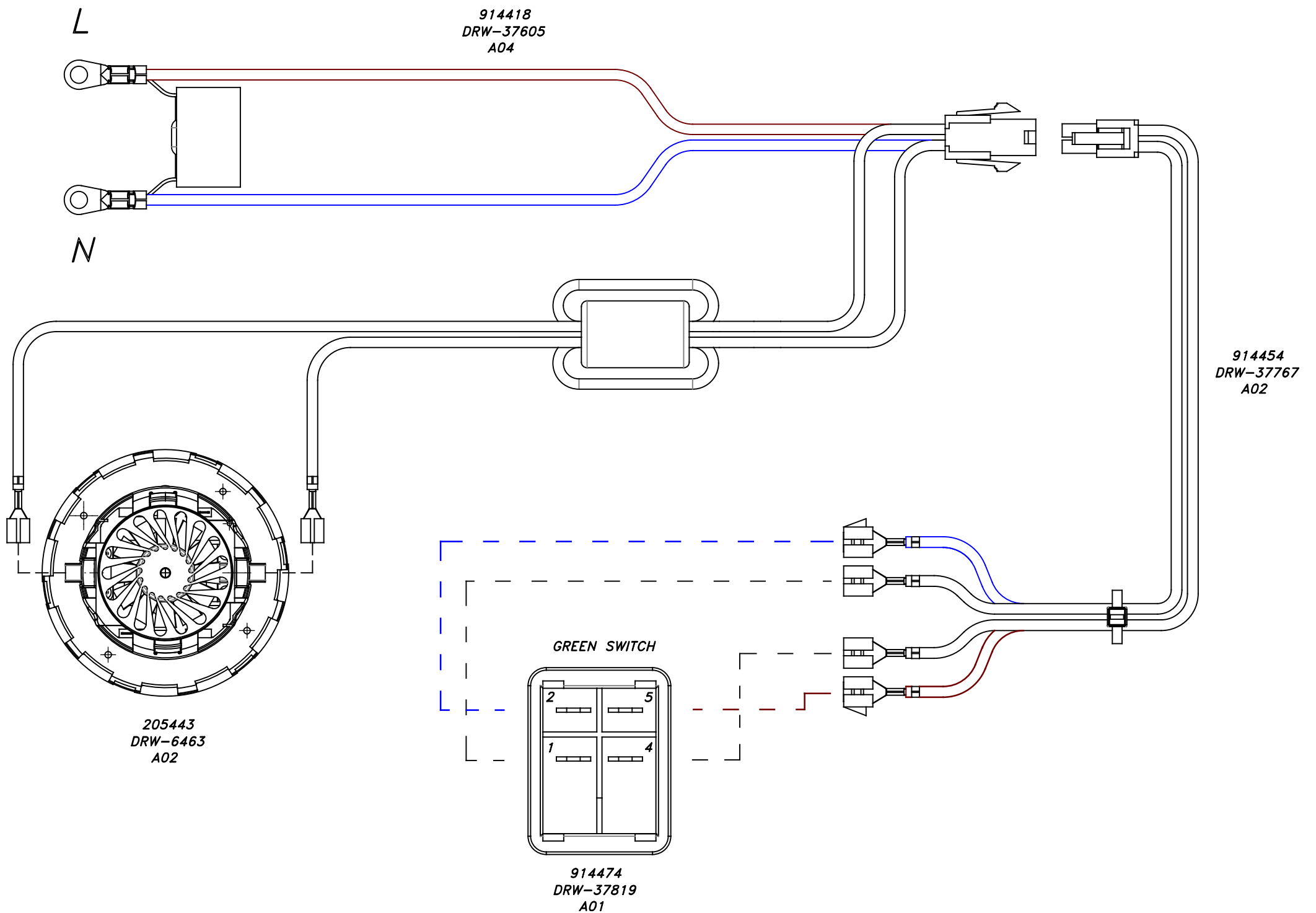
DRG. No  
DRW-39160

WIRING DIAGRAM.VACUUM.1S.2W.230.2SBPS.1200.1.12.PLG

ISSUE	REVISION	DRAWN	APPD.	DATE
A02	LOOM 914418 NOW A04.	AM	MB	02/11/2022



SCHEMATIC

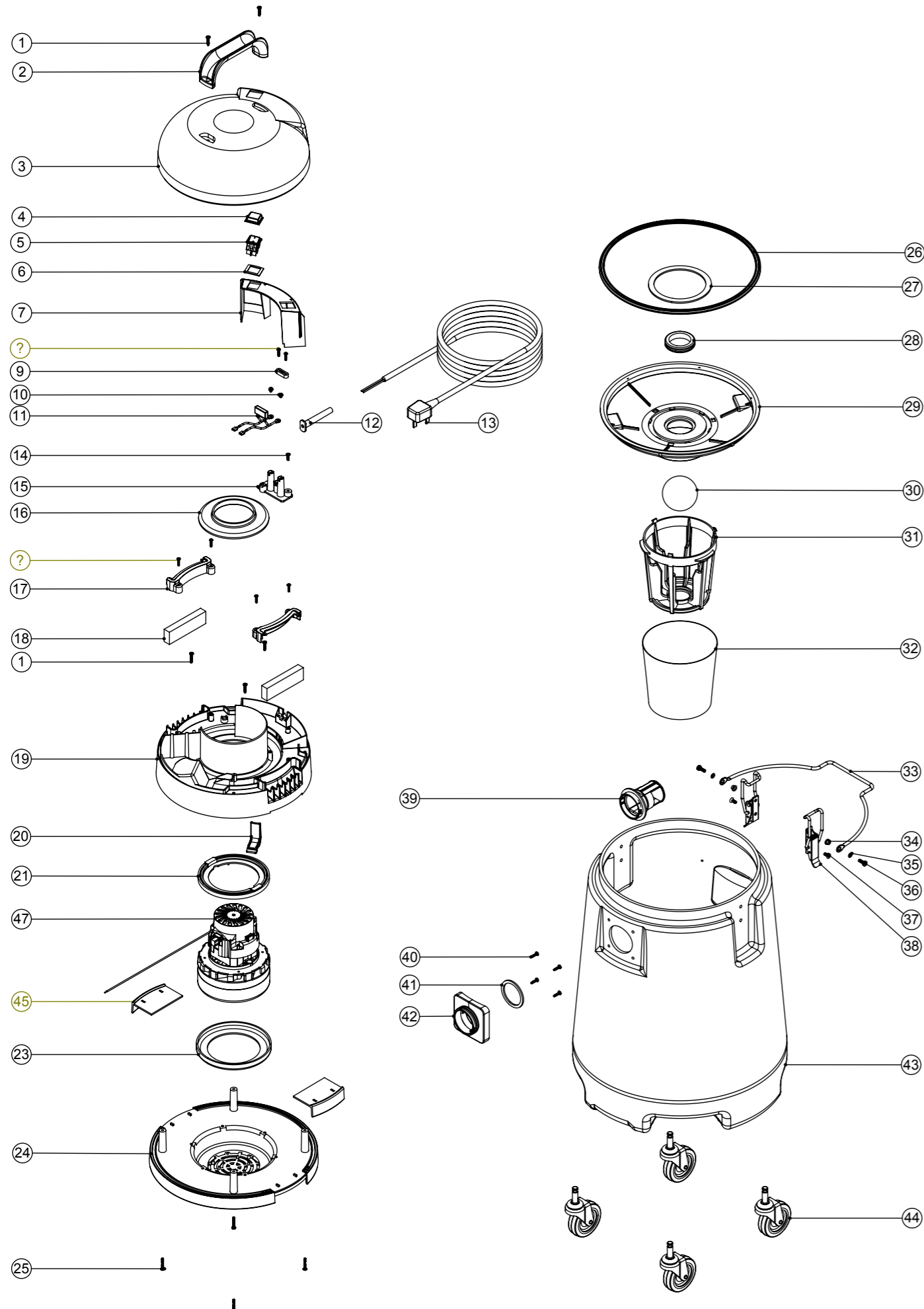


# Numatic International Spare Parts

**Model No: WV800-2 EXPLODED DRAWING**

234368  
DRAWING: EXP-0799 ISS:A03  
07/03/2011

NB: FOR WIRING SEE DRAWING: WD-0239



# Numatic International Spare Parts

**Model No: WV800-2 EXPLODED DRAWING**

POS	ITEM:	DESCRIPTION	COMMENTS
1	219041	No8 X 3/4 INCH LONG POZI PAN SCREW	
2	206451	HANDLE	
3	227919	SWITCH COVER TOP	
4	206573	SWITCH COVER (PLUG HANDLE)	
5	220843	BLUE ROCKER SWITCH	
6	291015	SWITCH GASKET - WV/CT	
7	227927	SWITCH MOUNTING BRACKET	
8	219107	No6 X 5/8 INCH LONG POZI PAN PLASTITE SCREW	
9	227008	BLACK CABLE CLAMP	
10	219090	M4 X 8MM LONG POZI PAN SEMS SCREW	
11	220698	SUPPRESSOR ASSEMBLY	
12	220923	STRESS RELIEF	
13	236033	10.0M X 1.00MM X 2 CORE CABLE (UK PLUG)	
	236034	10.0M X 1.00MM X 2 CORE CABLE (EURO PLUG)	
	236044	10.0M X 1.00MM X 2 CORE CABLE (AUSTRALIAN CABLE)	
	220462	8.4M X 1.00MM X 2 CORE CABLE (SOUTH AFRICAN PLUG)	
14	219101	No8 X 1/2 INCH LONG POZI PAN PLASTITE SCREW	
15	220472	TERMINAL BLOCK MOULD + INSERTS	
16	227926	AIR SEPERATOR	
17	237184	SPLASH PAD RETAINER - WV/CT	
18	291014	SPLASH PAD - WV/CT	
19	325512	TOP MOTOR HOUSING (PRINTED GREY NUMATIC)	
20	227019	CABLE HOOK	
21	227925	TOP MOTOR GASKET	
	205442	220V 2 STAGE D.I BYPASS ACUSTEK MOTOR (BL21102T) (MARKED 230V) TCO	
	205441	120V 2 STAGE D.I BYPASS ACUSTEK MOTOR (BL21101T) TCO	
22	206018	TOGGLE LOCATION MOULDING	
23	202031	BOTTOM MOTOR GASKET	
24	227921	BOTTOM MOTOR HOUSING	
25	219369	No8 X 1 INCH LONG POZI PAN STAINLESS STEEL PLASTITE SCREW	
26	207011	FLOAT CAGE GASKET	
27	225083	FLOAT ASSEMBLY GASKET	
28	220235	FLOAT GROMMET	
29	229635	FLOAT CAGE SUPPORT	
30	206026	POLYPROP BALL	
31	225086	FLOAT CAGE	
32	207055	GAUZE FILTER	
33	418738	HANDLE (PAINTED BLACK)	
34	208025	SPACER BUCKET HANDLE	
35	219003	M5 FORM A STEEL WASHER	
36	219045	M5 X 16MM LONG POZI PAN SEMS SCREW	
37	219330	M5 X 12MM LONG POZI PAN COUNTERSUNK SCREW	
38	206135	TOGGLE FASTENER	
39	206493	WET DRY CONNECTOR	
40	219370	No8 X 5/8 INCH LONG PLASTITE STAINLESS STEEL SCREW	
41	202027	HOSE FLANGE GASKET	
42	270161	FLANGE NECK BAYONET	
43	325800	PROCESSED 800 DRUM (NATURAL)	
	325666	PROCESSED 800 DRUM (LIGHT BLUE)	
	325738	PROCESSED DRUM FOR LARGE DRAIN HOSE (LIGHT BLUE)	
44	204060	3 INCH CASTOR	
47	205443	230V 2 STAGE D.I BYPASS ACUSTEK MOTOR (BL21104T) (MARKED 230V) TCO	1

500925 Behälter für WV-800, blau Komplett ohne Räder