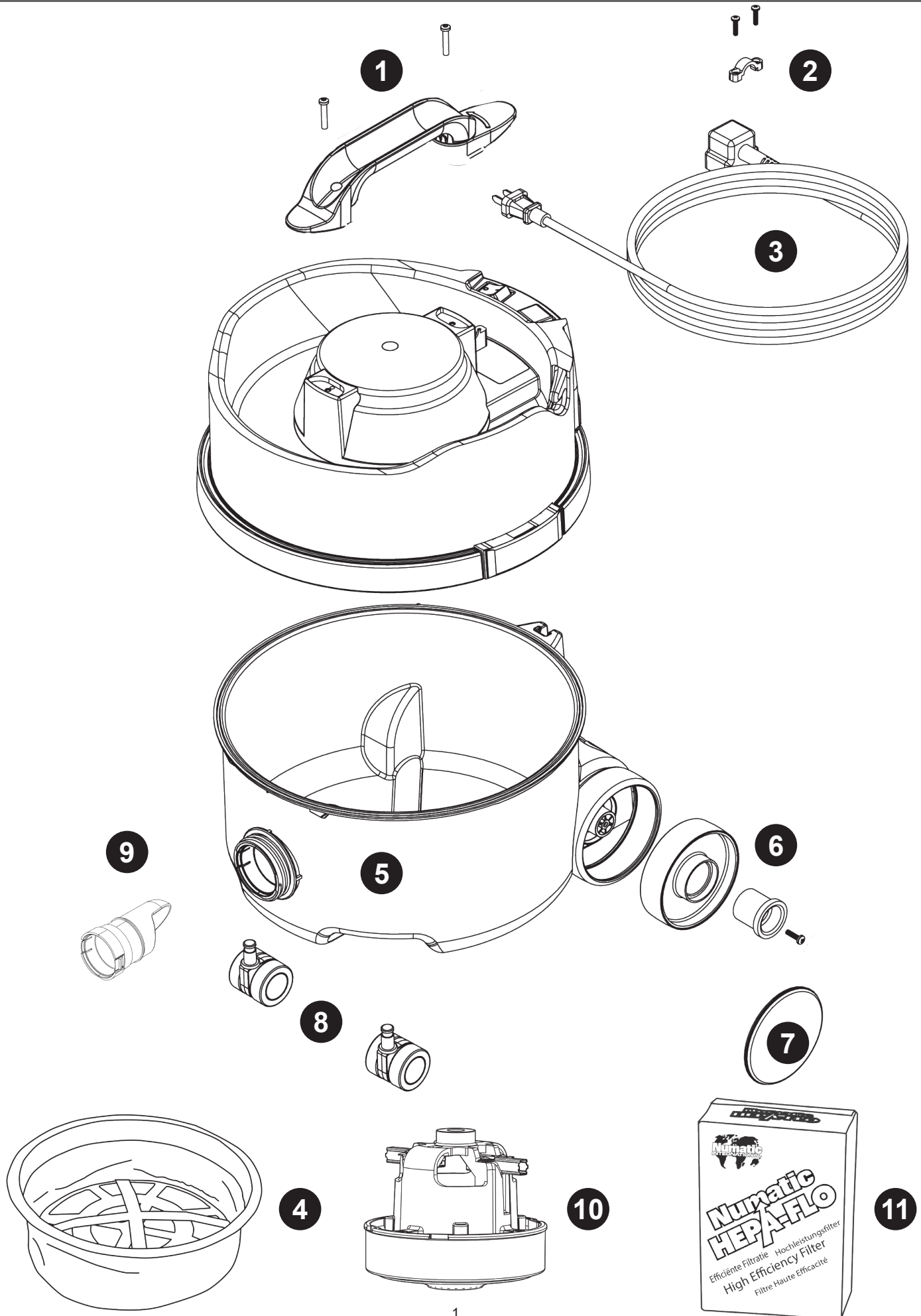


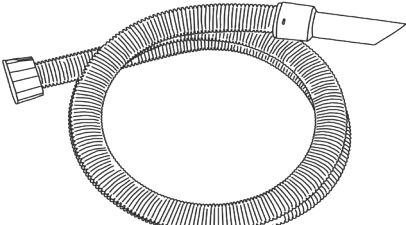
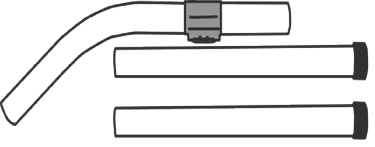
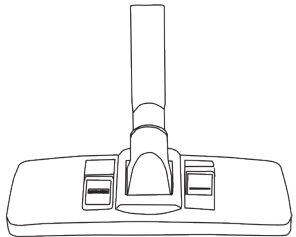
PRP 180 Exploded Spares

REFLO RANGE



Num	Description	Num
1	CABLE MANAGEMENT HANDLE - MAIN BODY	906071
	CABLE MANAGEMENT HANDLE - LOWER HOUSING	906072
	CABLE MANAGEMENT HANDLE - SWIVEL LOCK	906073
	NO8 X 1 INCH PLASTITE TX20 PAN SCREW (NEW HEAD)	293898
2	PLUG LOCATION CLAMP	227564
	NO6.5/8 INCH LG POZI-PAN SCREW Z/PL PLASTITE	219107
3	10 METRE X 1MM X 2 CORE YELLOW CABLE (SOCKET WITH EURO PLUG)	236123
4	TRITEX FILTER (BOXED)	909559
5	180 DRUM COMPLETE BLACK RECYCLED	911695
6	WHEEL HUB FOR 2 SHOT WHEEL	227868
	HENRY WHEEL 2 SHOT MOULDING	227640
	NO8.5/8 INCH LG POZI-PAN SCREW Z/PL PLASTITE	219105
7	COLOURED WHEEL DISC (BLACK)	227638
8	40MM FRONT CASTORS FOR 180 DRUM	204000
9	DRY BAG CONNECTOR	237119
10	230V SINGLE STAGE TF MOTOR (DLI 653T) TCO (6210820147)	908947
11	PACK OF 3 NVM-1CH HEPAFLO BAGS	909291
	BOX OF 5 NVM-1CH HEPAFLO BAGS	907076
	BOX OF 10 NVM-1CH HEPAFLO BAGS	907075

(Kit NSO 2.2P)

Image Reference	Item Description	Part Number	Item Quantity
	PARALLEL HOSE 32MM (BOFLEX) (2.2M)	915907	1
	Stainless Steel Tube set	909563	1
	300MM FLOOR NOZZLE ASSEMBLY (SINGLE SLOT BASE PLATE)	902071	1

Numatic International Limited. Chard, Somerset TA20 2GB
ENGLAND Tel: 01460 68600 www.numatic.co.uk

Numatic International GmbH. Fränkische Straße 15–19. D-30455 Hannover,
DEUTSCHLAND Tel: 05 11 98 42 16 0 www.numatic.de

Numatic International SAS. 13 / 17 rue du Valengelier. EAE La Tuilerie – 77500
CHELLES, FRANCE Tel: 01 64 72 61 61 www.numatic.fr

Numatic International BV. Vennootsweg 15, 2404 CG, Alphen aan den Rijn,
NEDERLAND Tel: 0172 467 999 www.numatic.nl

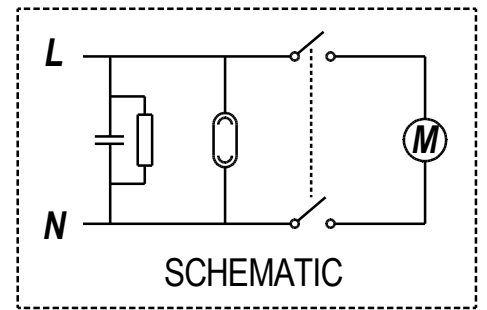
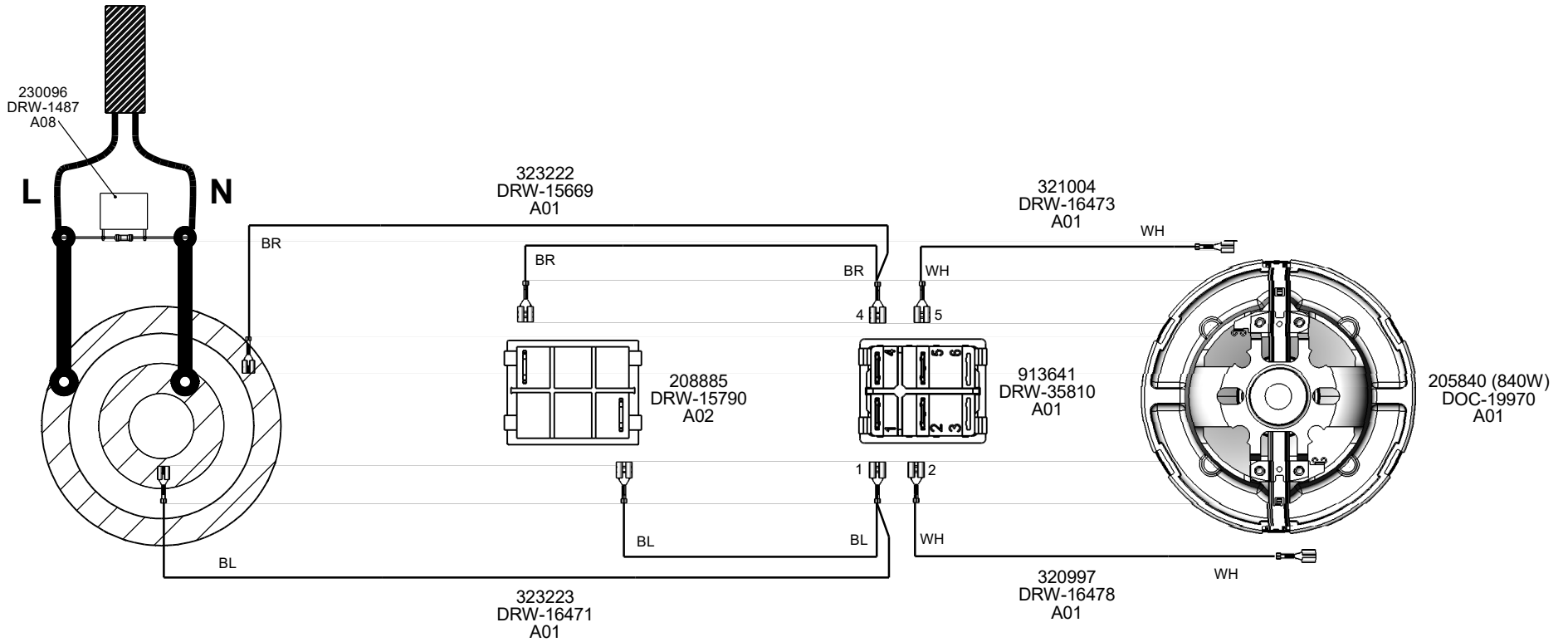
Numatic International (Pty.) Ltd. 16th & Pharmaceutical Roads, Midrand, Gauteng,
SOUTH AFRICA 1685 Tel: 0861 686 284 www.numatic.co.za

Numatic International Schweiz AG. Sihlbruggstrasse 3A, 6340 Baar.
SCHWEIZ Tel: 0041 (0) 41 76 80 76 - 0 www.numatic.ch

Numatic International ULDA. Rua da Boa Viagem, 177. 4470.210 Maia.
PORTUGAL Tel: +351 220 047 700 www.numatic.pt

Numatic International SLU. C/ La Forja, 41, 08840 Viladecans. (Barcelona),
SPAIN Tel: +34 93 647 22 22 www.numatic.es

Numatic International DENMARK. Fränkische Straße 15–19. D-30455 Hannover,
DEUTSCHLAND Tel: 05 11 98 42 16 0 www.numatic-online.dk



Wire Colours: BK-BLACK, BL-BLUE, BR-BROWN, RD-RED, GR-GREEN, GY-GREEN/YELLOW, OR-ORANGE, SL-SLATE, YL-YELLOW

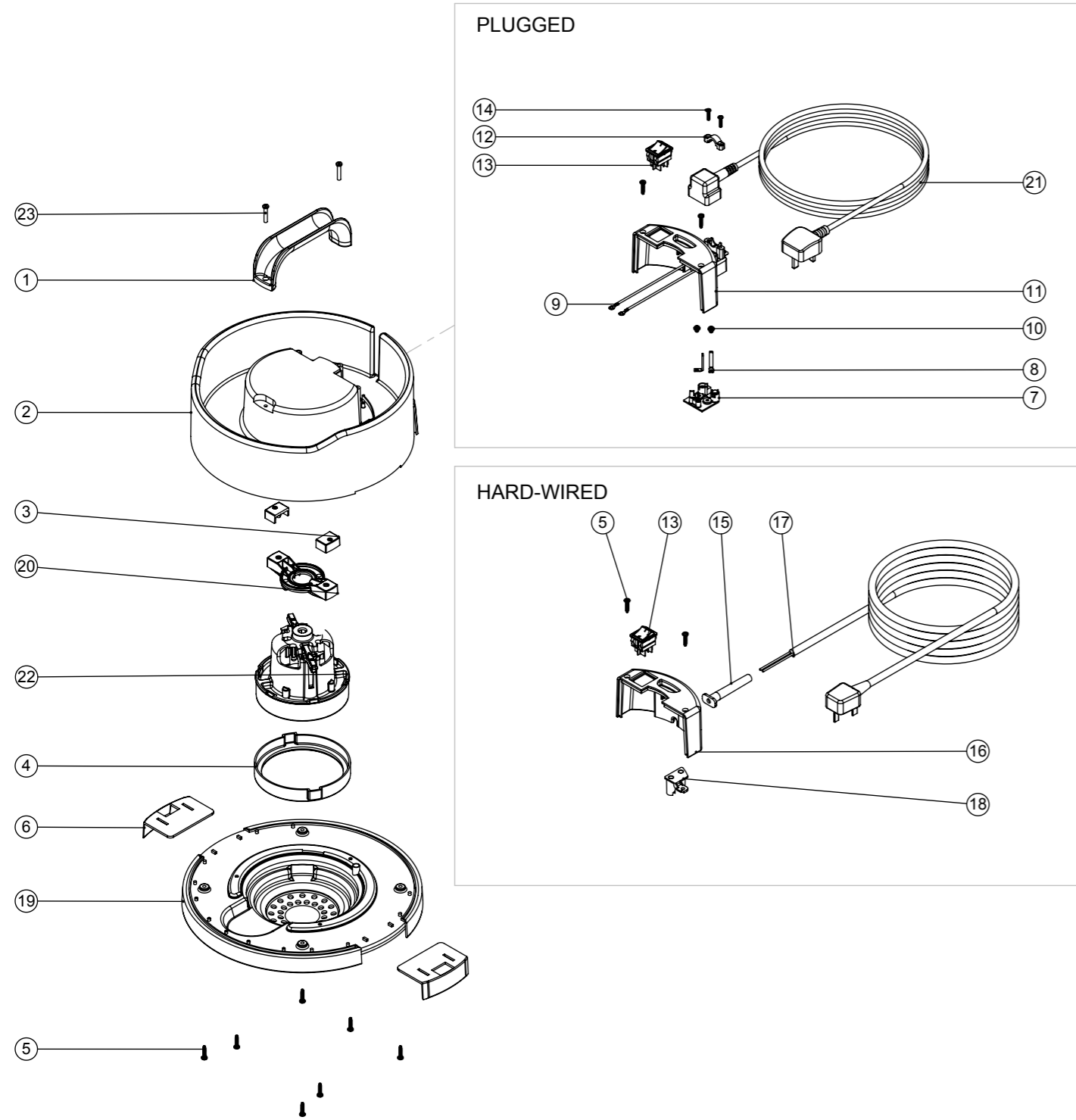
Qualification of alternative supplier components upon submission of appropriate data sheets and approvals documentation	ASSEMBLY TO BE RoHS COMPLIANT	DIMENSIONS IN MILLIMETERS	TOLERANCES +10 / -5 mm UNLESS OTHERWISE STATED	PRINT SIZE A3 NOT TO SCALE	Class: CLASS II	Cable Eye Plate: ---	Special Approvals Req:	Numatic International Limited	TITLE: WIRING DIAGRAM.VACUUM.1S.2W.230.1DAF.620.1.12.PLG		
CHANGE DETAIL:				Internal Code: PRO	DRAWN: Andy Martin	APPROVED:	DATE: 09/04/2021	THIS DRAWING IS COPYRIGHT AND IS THE PROPERTY OF NUMATIC INTERNATIONAL LTD. AND MUST NOT BE USED WITHOUT THEIR KNOWLEDGE NOR COMMUNICATED TO ANY PERSON OR COMPANY	ITEM No. 902538	DRG No. DRW-21470	REVISION No. A08.00

Numatic International Spare Parts

Model No: HEAD STYLE 5 ASSEMBLY 1-STAGE 1-SPEED EXPLODED

Models: (NUV, NVP, NVH (LOW TOP MC) (UK ONLY))

NA
DRAWING: DRW-16815 ISS:A05
01/03/2017



Numatic International Spare Parts

Model No: HEAD STYLE 5 ASSEMBLY 1-STAGE 1-SPEED EXPLODED

ITEM:	PART No:	Description	QTY.	COMMENTS:
1	206451	HANDLE	1	
2	-	NNV ROUND EDGE TOP 911905 für PRP u. 911692 für ERP	1	CONTACT NUMATIC FOR DETAILS
3	227438	RUBBER END PAD	2	
4	202092	BOTTOM MOTOR GASKET	1	
5	219041	No8 X 3/4 INCH LONG POZI PAN SCREW	9	
6	227115	TOGGLE	2	
7	325255	TERMINAL BLOCK C/W INSERTS	1	
8	206562	CONTACT PIN	2	
9	220859	SUPPRESSOR ASSEMBLY	1	
10	219090	M4 X 8MM LONG POZI PAN SEMS SCREW	2	
11	227368	SWITCH COVER	1	
	236013	10.0MT X 1MM X 2 CORE CABLE (SOCKET + PLUG) EURO	1	
12	227564	PLUG LOCATION CLAMP	1	
13	220582	GREEN ROCKER SWITCH (WHITE PRINT) 0-1	1	
14	219107	NO6.5/8 INCH LG.POZI-PAN.SCREW.Z/PL.PLASTITE	2	
15	220923	STRESS RELIEF	1	
16	227342	GREY SWITCH BOX	1	
17	236033	10.0M X 1.00MM X 2 CORE CABLE (UK PLUG)	1	CONTACT NUMATIC FOR MORE DETAILS IF REQUIRED
	236034	10.0M X 1.00MM X 2 CORE CABLE (EURO PLUG)	1	
18	325212	TERMINAL BLOCK + INSERTS	1	
19	227540	BLACK BOTTOM MOTOR HOUSING	1	
20	229513	MOTOR PLATE CUP MOTOR AMETEC LAMB	1	
21	236009	10.0M X 1.00MM X 2 CORE NUCABLE (UK PLUG)	1	
22	205840	230V SINGLE STAGE THRO FLOW FAN MOTOR (DLI 653T) TCO (620)	1	
23	291082	#8 SCREW 1"L T20 PAN HEAD P/L THREAD FORMING	2	

FOR WIRING DIAGRAMS PLEASE SEE DOC-21993 (REFER ONLY TO THE LATEST VERSION) OR NUMATIC WEBSITE