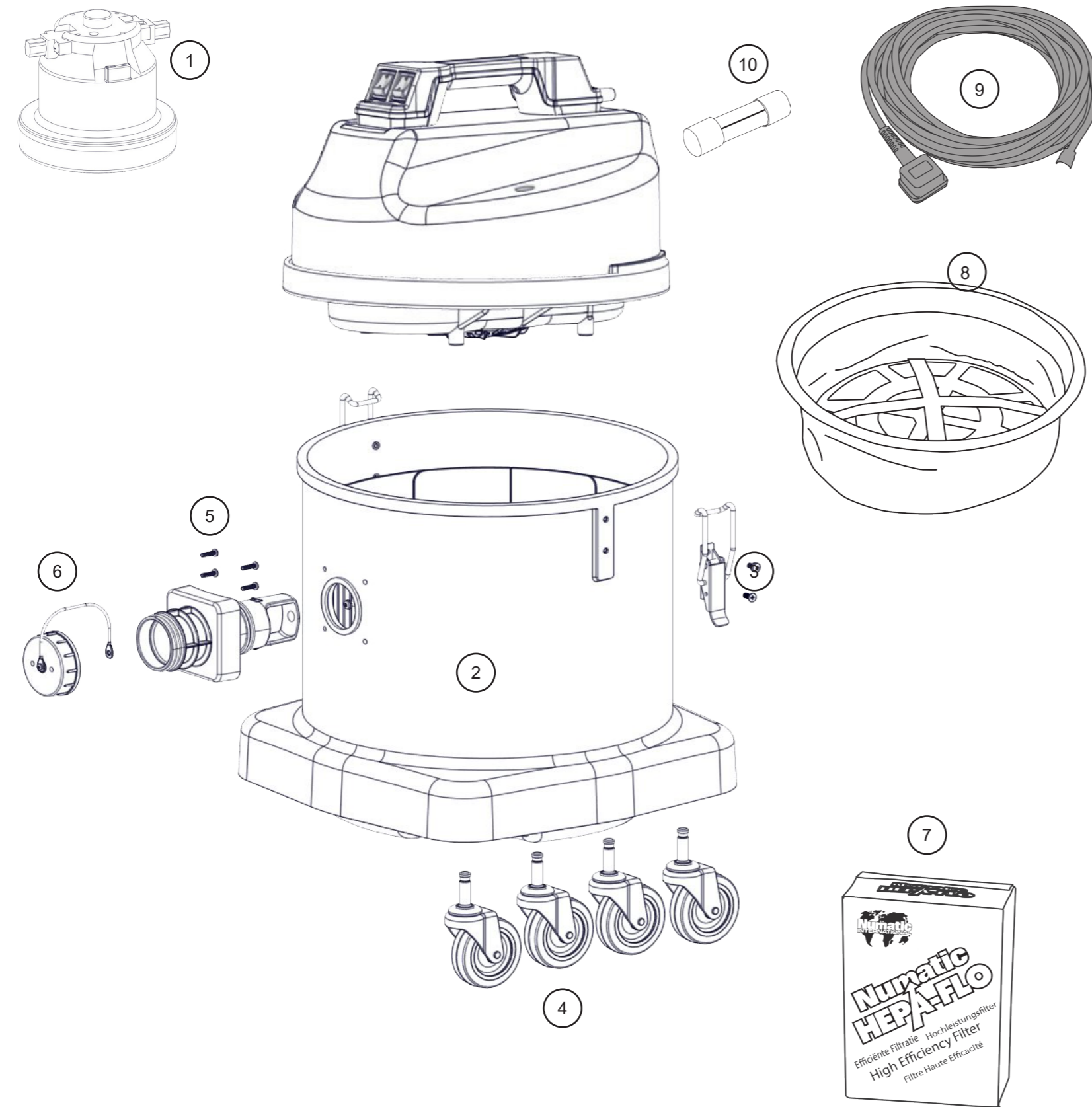
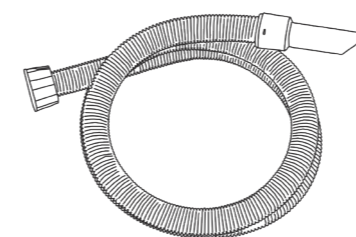


# Exploded Spare Parts NES570 NED570 NES570A NED570A

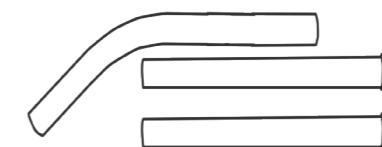


Num	Description	Num
1	230V SINGLE STAGE THRU FLOW FAN MOTOR (DLI 653T) TCO (620)	205840
2	NTD 570FD FINE DUST SYSTEM GREY DRUM ASSEMBLY.BLANKING CAP	905524
3	BLACK TOGGLE FASTENER 30-1665 MSBL	206135
	M5x.10MM LG.POZI-PAN.SCREW.Z/PL.SEM	219047
	M5.12MM LG.POZI-PAN.SCREW.Z/PL.C/SUNK	219330
4	3 INCH STEM FITTING CASTOR	204060
5	NDD BAYONET BAG CONNECTOR FRONT (DRILLED) HZ TYPE	305038
	NDD BAYONET BAG CONNECTOR TUBE	237342
	BAYONET SEAL	202102
6	150MM LONG FIXING WIRE [1]	303037
	BLANKING CAP [1]	206363
7	BOX OF 10 NVM-3BH HEPAFLO BAGS	604017
8	14 INCH COMBINATION MICROTUX FILTER	502014
9	10.0MT X 1.5MM X 3 CORE CABLE (SOCKET + PLUG) UK	236011
10	10AMP TIME LAG GLASS FUSE	230197

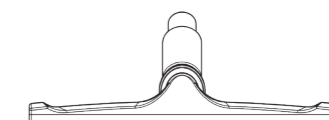
## Genuine Accessories (607335 Kit BB5)



602102 2.4m NuFlex Threaded Hose



602917 38mm  
Stainless Tube Set



602381  
400mm ProFlo Floor Tool



602162  
152mm Rubber Brush



Numatic International Limited, Chard, Somerset, TA20 2GB  
Telephone: 01460 68600  
Fax: 01460 68458

UNITED KINGDOM: [www.numatic.co.uk](http://www.numatic.co.uk)  
NETHERLANDS: [www.numatic.nl](http://www.numatic.nl)  
PORTUGAL: [www.numatic.pt](http://www.numatic.pt)

GERMANY: [www.numatic.de](http://www.numatic.de)  
SWITZERLAND: [www.numatic.ch](http://www.numatic.ch)  
SPAIN: [www.numatic.es](http://www.numatic.es)

FRANCE: [www.numatic.fr](http://www.numatic.fr)  
SOUTH AFRICA: [www.numatic.co.za](http://www.numatic.co.za)



Specification subject to change without prior notice  
[www.numatic.co.uk](http://www.numatic.co.uk) © Numatic International Limited

MED-000971 03/21 (A01)