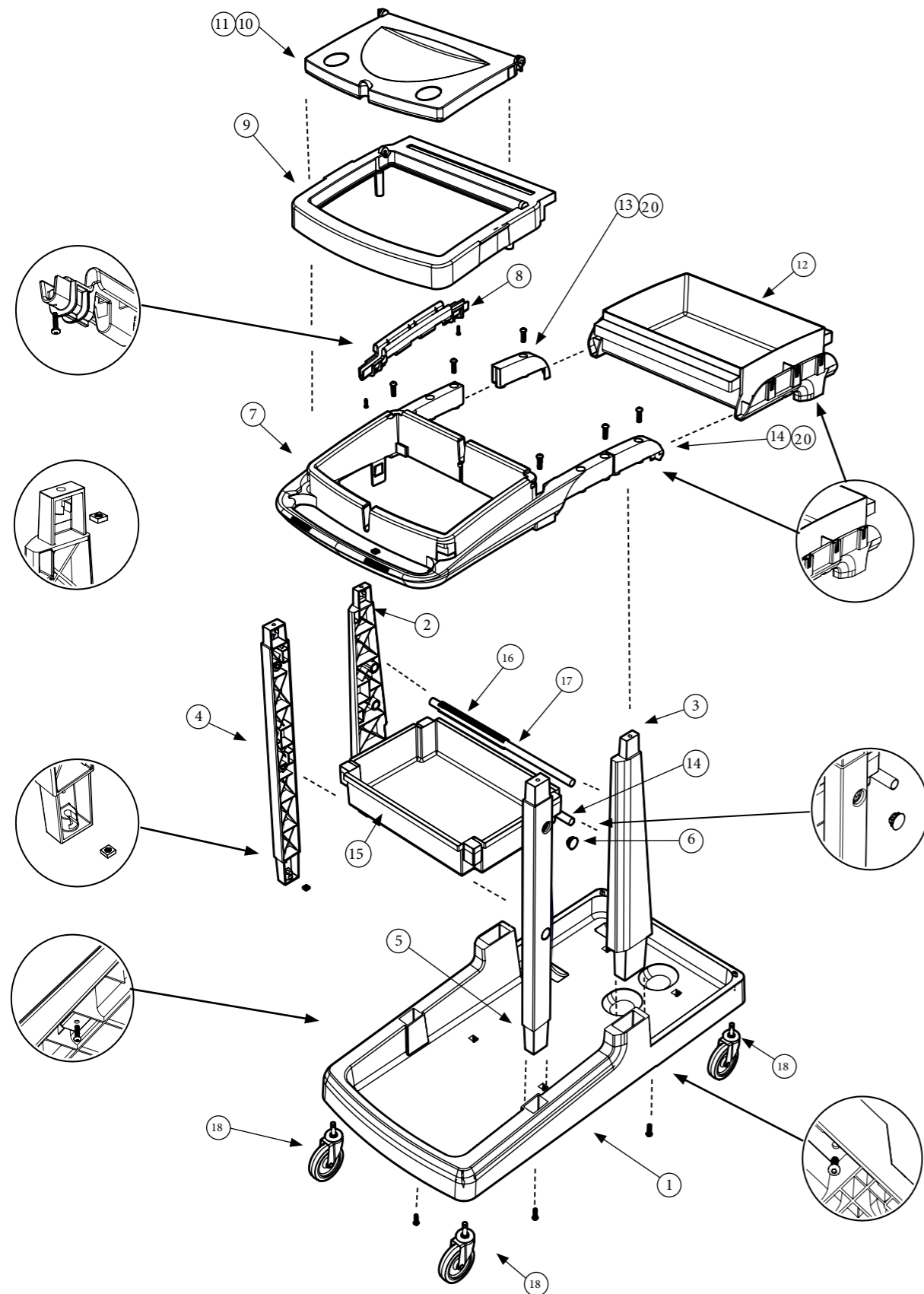


Exploded Spare EcoMatic EM-3

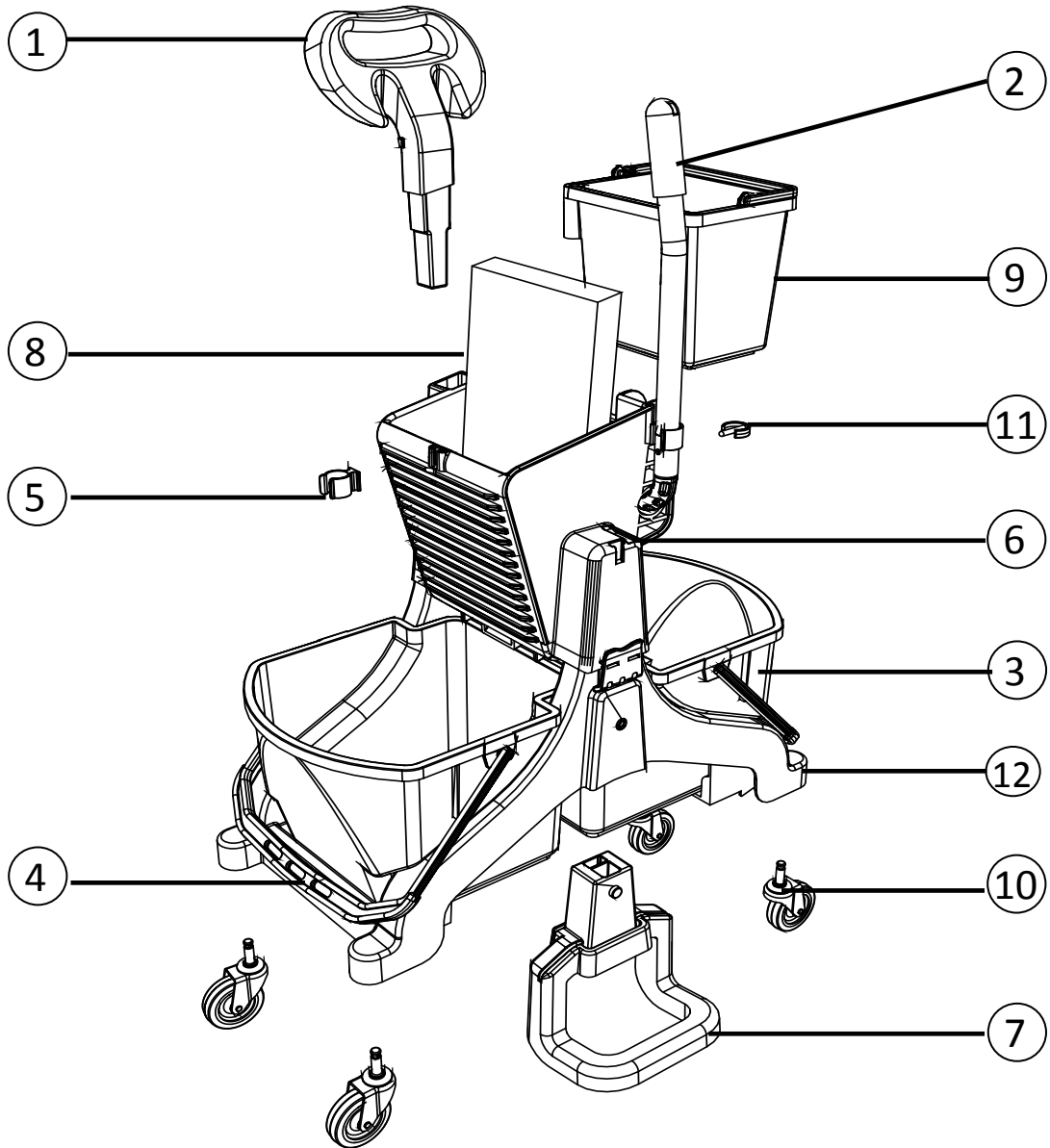


Item Number	Item Description	Part Number	Quantity
1	Ecomatic black refo base printed numatic refo - long	909997	1
2	Front left hand black refo upright assembly with nut & bolt fitted	909374	1
3	Front right hand black refo upright assembly with nut & bolt fitted	909373	1
4	Rear left hand black refo upright assembly with nut & bolt fitted	909363	1
5	Rear right hand black refo upright assembly with nut & bolt fitted	909375	1
6	Door hole plug graphite	902984	4
7	Ecomatic bag frame black refo	909358	1
8	Bag Splitter Kit - Optional	910840	1
9	Bag securing frame black refo	909187	1
10	Lid grey	912506	1
11	Colour code disc dark grey	223124	1
12	Top tray black refo with nuts & bolts fitted	909357	1
13	Black refo left hand cover	910729	1
14	Black refo right hand cover	910732	1
15	Ecomatic tray black refo	909359	1
16	Press support tube painted silver	909361	2
17	Tube profile	910762	1
18	4 x 4 Inch castor	908204	1
19	Ecomatic buffer set (x4) - Optional	910757	1
20	M8 x 25mm LG.Socket bolt Z/PL	219555	-
21	Nut M8 Plain Z/PL	219079	-
22	120-Litre grey waste bags (roll of 10 - 700mm x 1100mm) - Optional	908229	0.1

Revision	A02
Part Number	912035



MMT-1616



ITEM	PART	DESCRIPTION	QTY
1	629872	MIDMOP HANDLE COMPLETE (OPTIONAL EXTRA)	1
2	629884	PRESS HANDLE	1
3	629835	16 LTR RED PAIL	1
4	629836	16 LTR BLUE PAIL	1
5	629883	22MM MIDMOP CLAMP PACK OF 10 (REPLACEMENT ITEM)	1
6	902978	PRESS ASSEMBLY WITH FOAM PAD (NO PRINT)	1
7	629873	FLAT MOP STAND (OPTIONAL EXTRA)	1
8	629881	FOAM PRESSURE PAD (OPTIONAL EXTRA)	1
9	628773	5LTR SWING PAIL RED (OPTIONAL EXTRA)	1
10	629882	75 MM CASTORS	4
11	206394	UNIVERSAL CLIP	1
12	339686	MID MOP BASE	1

