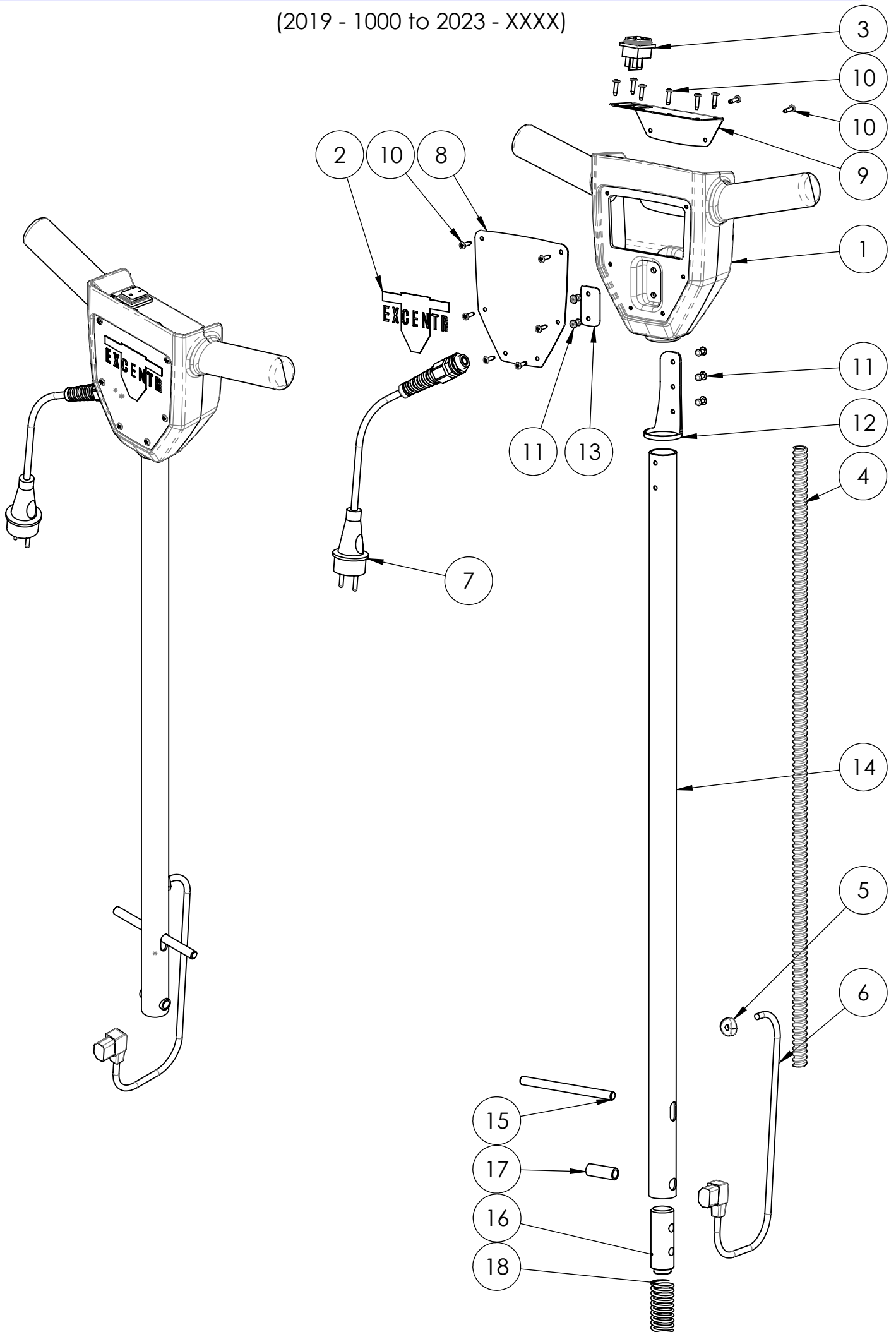
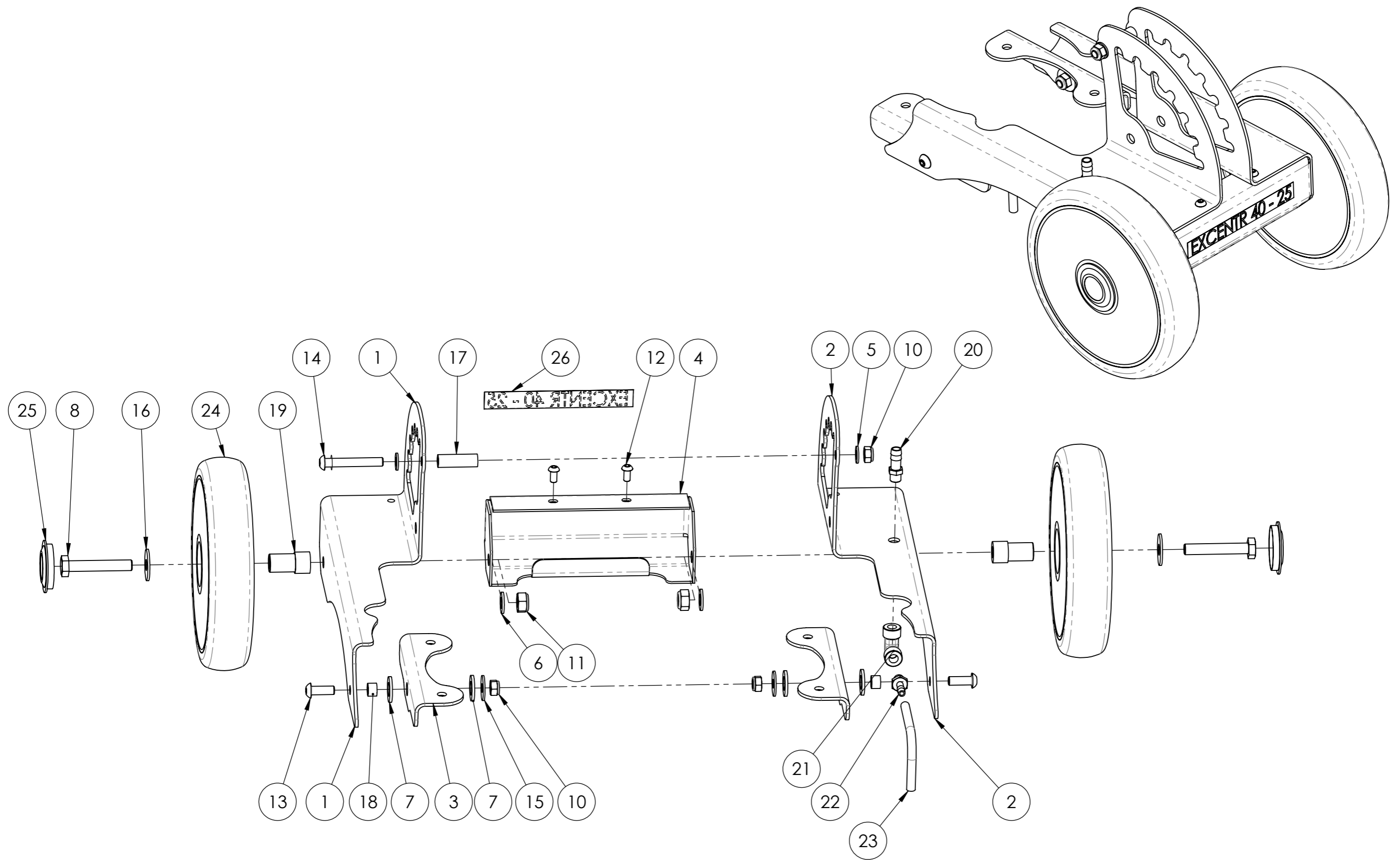


ITEM NO.	EXC. NO.	PART NUMBER	DESCRIPTION	Description ENG	QTY.
1	ASSEMBLY	0911-pol	HANDVAT 230VAC - 4025	HANDLE WITH COMPONENTS	1
2	ASSEMBLY	2019	BASIS FRAME MET WIELEN 40-25	MAIN FRAME WITH WHEELS 4025	1
3	ASSEMBLY	2022	OLIEKEERING	SCRUB HEAD 4025 230VAC	1
4	ZUIGMOND	sterknop M8	STERKNOP Ø40 M8	STAR KNOB Ø40 M8	2
5	800023	DIN 125A-M08	SLUITRING M8	WASHER M8	4
6	800011	DIN 125A-M10	SLUITRING M10	WASHER M10	1
7	800185	DIN 125A-M14 PA	SLUITRING M14 PA	WASHER M14 PA	2
8	800041	DIN 933-M08X12	BOUT ZK M8X12	HEX HEAD BOLT M8X12	4
9	800214	DIN 933-M10X60	BOUT ZK M10X60	HEX BOLT M10X60	1
10	800012	DIN 985-M10	BORGMOER M10	LOCK NUT M10	1
11	650031	1004	ONDERPLAAT GEWICHTEN 4025	WEIGHT PROTECTION PLATE 40-25	2
12	206013	0846	MASSABLOK 10 KG 4025	MASS BLOCK 10KG	2
13	901018	2023	TYPEPLAAT 40-25 E	TYPE PLATE 40-25 E	1

(2019 - 1000 to 2023 - XXXX)

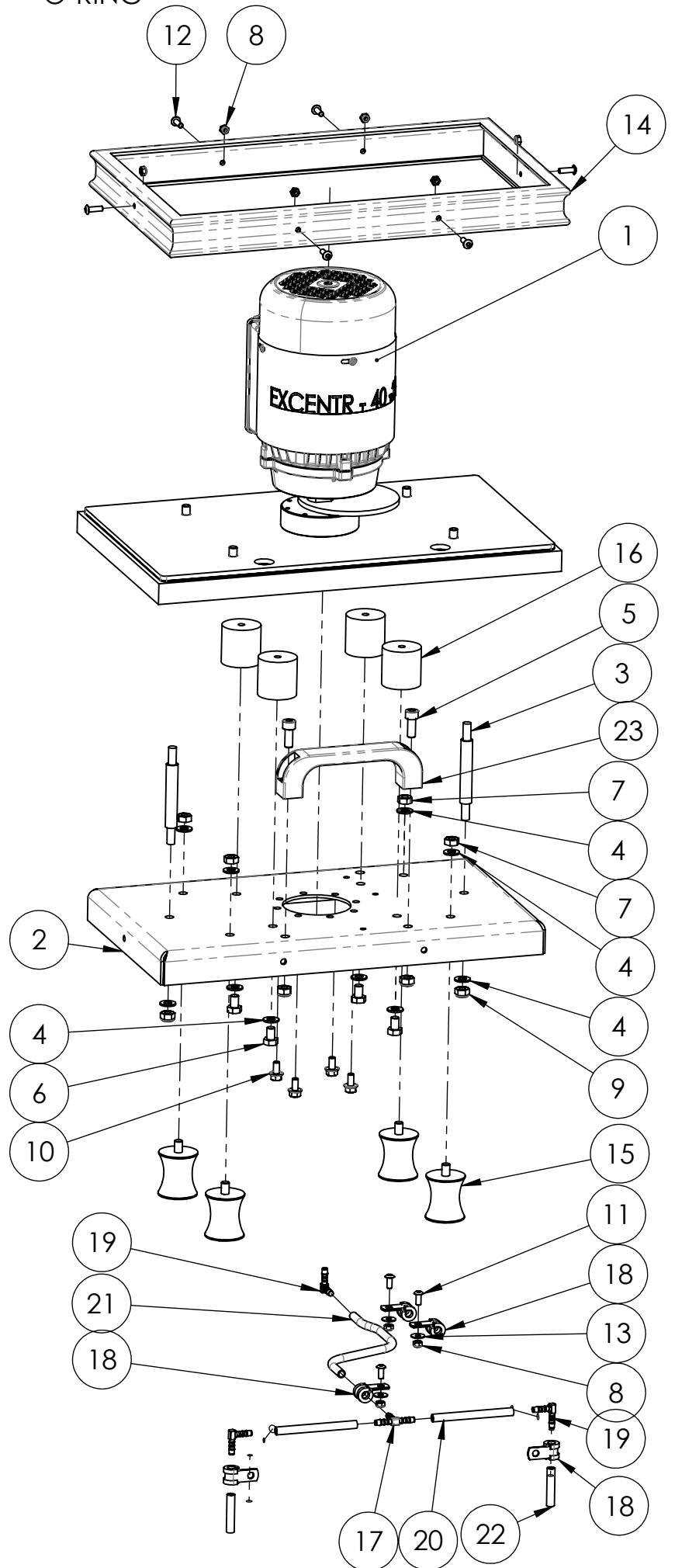
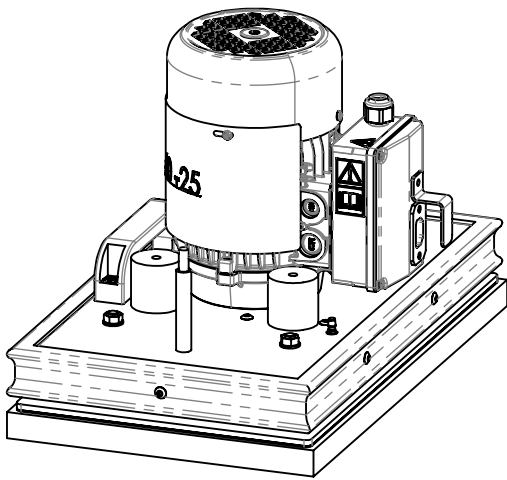


ITEM NO.	EXC. NO.	PART NUMBER	DESCRIPTION	Description ENG	QTY.
1	609013	EXC.174.011b	HANDVAT DAILY 35	HANDLE HOUSE DAILY 35	1
2	901004	0732	STICKER LOGO GROOT	STICKER IMAGE LOGO BIG	1
3	520002	schakelaar aan uit	SCHAKELAAR AAN/UIT 115-230VAC 16A	POWER SWITCH ON/OFF 115-230VAC 16A	1
4	210025	0312-pol	VINILFLEX N12	PROTECTION HOSE FOR ELECTRIC WIRE	1
5	608009	0867	DOORVOERTULE HV 1402	GROMMET HV1402	1
6	530050	0891	HAakse PLUG C13 MET KABEL	ANGLE PLUG C13 WITH CABLE	1
7	530034	1574	STECKER + SNOER + PAKBUS	PLUG WITH CORD AND CABLE GLAND	1
8	706029	0731	AFDEKPLAAT HANDVAT	COVER PLATE HANDLE HOUSE	1
9	706037	0910	PANEELPLAAT 4025	CONTROL PANEL PLATE	1
10	800188	0766	SCHROEF KNSTST Ø4 L=16	SCREW FOR PLASTIC Ø4X16	14
11	800332	2012	BLINDKLINKNAGEL Ø4.8 L=18 (8.0-13.0)	RIVET Ø4.8 L=18 (8.00-13.0)	5
12	705106	0826	HANDVATBEVESTIGINGSPLAAT 2	MOUNTING PIECE FOR HANDLE 1	1
13	705105	0825	HANDVATBEVESTIGINGSPLAAT 1	MOUNTING PIECE FOR HANDLE 2	1
14	705113	0835	STEEL 40-25 E-VERSIE	CONTROL BAR 40-25 E-VERSION	1
15	707012	as tbv verstelling	AS HOOGTEVERSTELLING 5535 43	AXIS FOR HEIGHT ADJUSTMENT	1
16	607002	prop tbv veer	VEERPROP BOVEN	SPRING HOLDER UP	1
17	707083	0850	SCHARNIERBUS STEEL	ROUND SPACER FOR HINGE	1
18	801001	veer tbv verstelling	VEER TBV VERSTELLING 5535 43	SPRING FOR HEIGHT ADJUSTMENT	1



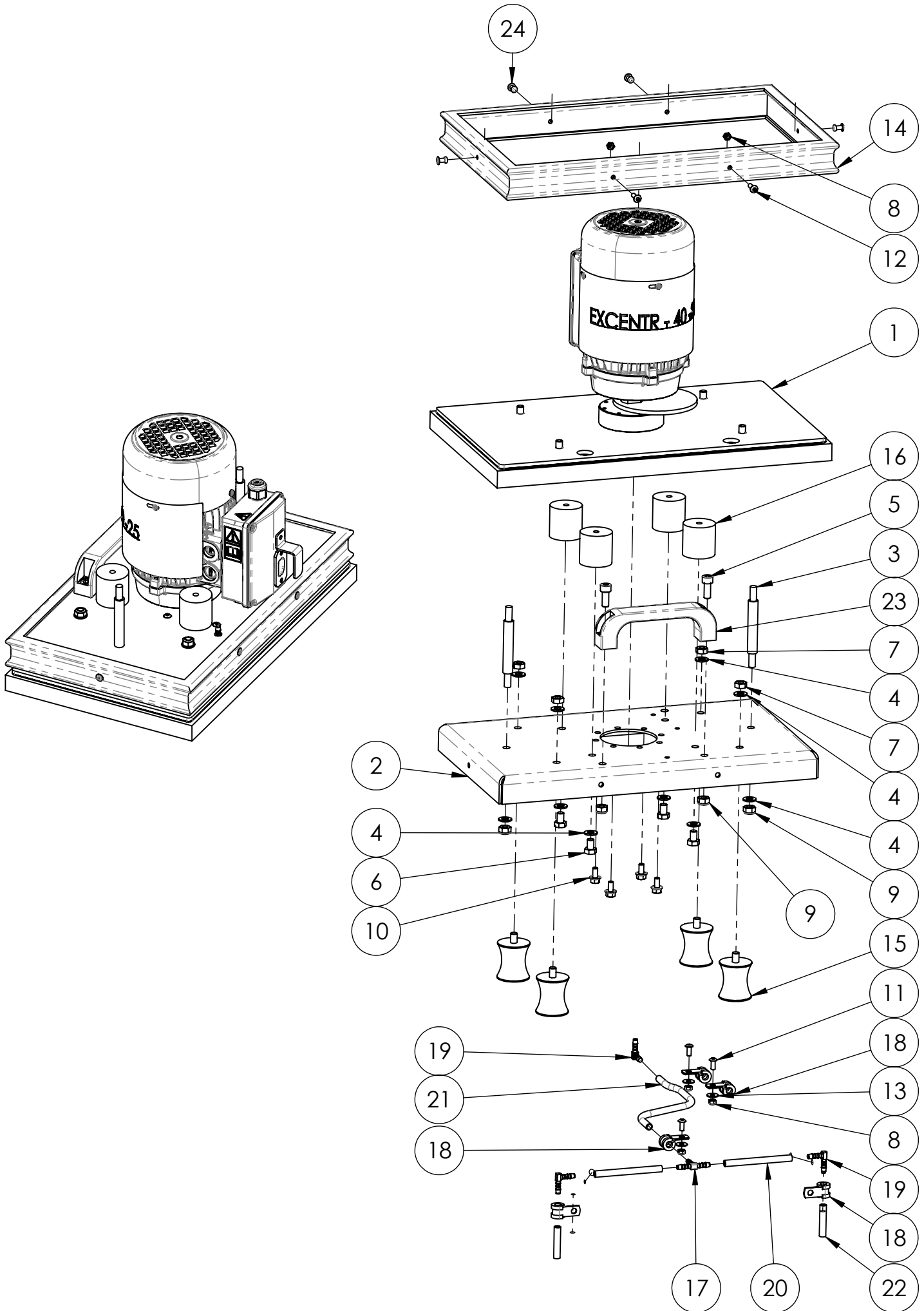
ITEM NO.	EXC. NO.	PART NUMBER	DESCRIPTION	Description ENG	QTY.
1	705111	0838	ZIJPLAAT BRUG R 4025	SIDE PLATE BRIDGE (R)	1
2	705112	0845	ZIJPLAAT BRUG L 4025	SIDE PLATE BRIDGE (L)	1
3	705109	0851	HOEKPROFIEL MOTORPLAAT	BRACKET FOR MOTOR PLATE	2
4	705110	0848	ACHTERPLAAT FRAME	BACK PLATE BRIDGE	1
5	800023	DIN 125A-M08	SLUITRING M8	WASHER M8	2
6	800011	DIN 125A-M10	SLUITRING M10	WASHER M10	2
7	800120	DIN 125A-M12 PA	RING M12 PA	WASHER M12 PA	4
8	800214	DIN 933-M10X60	BOUT ZK M10X60	HEX BOLT M10X60	2
9	800063	DIN 985-M6	BORGMOER M6	LOCK NUT M6	2
10	800022	DIN 985-M8	BORGMOER M8	LOCK NUT M8	3
11	800012	DIN 985-M10	BORGMOER M10	LOCK NUT M10	2
12	800132	ISO 7380-M6X12	IMBUSSCHROEF BK M6X12	SOCKET BUTTON HEAD SCREW M6X12	2
13	800224	ISO 7380-M8X22	IMBUSSCHROEF BK M8X22	SOCKET BUTTON HEAD SCREW M8X25	2
14	800348	ISO 7380-M8X55	IMBUSSCHROEF BK M8X55	BUTTON HEAD SCREW M8X55	1
15	800179	DIN 9021-M08	CARROSSERIERING M8	FENDER WASHER M8	2
16	800040	DIN 9021-M10	CARROSSERIERING M10	FENDER WASHER M10	2
17	707084	0896	TUSSENBUS FRAME 4025	RUND SPACER FOR FRAME	1
18	707073	1700	BUS MESSING Ø12XØ8.5 L=8.2MM	BUSHING Ø12XØ8.5 L=8.2MM	2
19	707057	0888	WIELAS Ø17	WHEEL AXLE Ø17	2
20	210029	1601	SLANGTULE Ø 9 MM 1/8" BUI	HOSE PILLAR Ø9MM G1/8" MALE	1
21	210061	1602	KNIE G1/8" BIN-BIN	KNEE G1/8" 2X FEMALE	1
22	210003	0349-pol	SLANGTULE Ø6 MM 1/8" BUI	HOSE PILLAR Ø6MM - G1/8" MALE	1
23	210028	1603	SLANG Ø8X1 L=120MM (3)	HOSE FOR WATER DRIP 120MM (3)	1
24	610005	0069	WIEL Ø200X42 (RES)	WHEEL Ø200X42	2
25	610006	0070	WIELDOP	HUB CUP GREY G48	2
26	901020	2020	STICKER 40-25	STICKER 40-25	1

O-RING



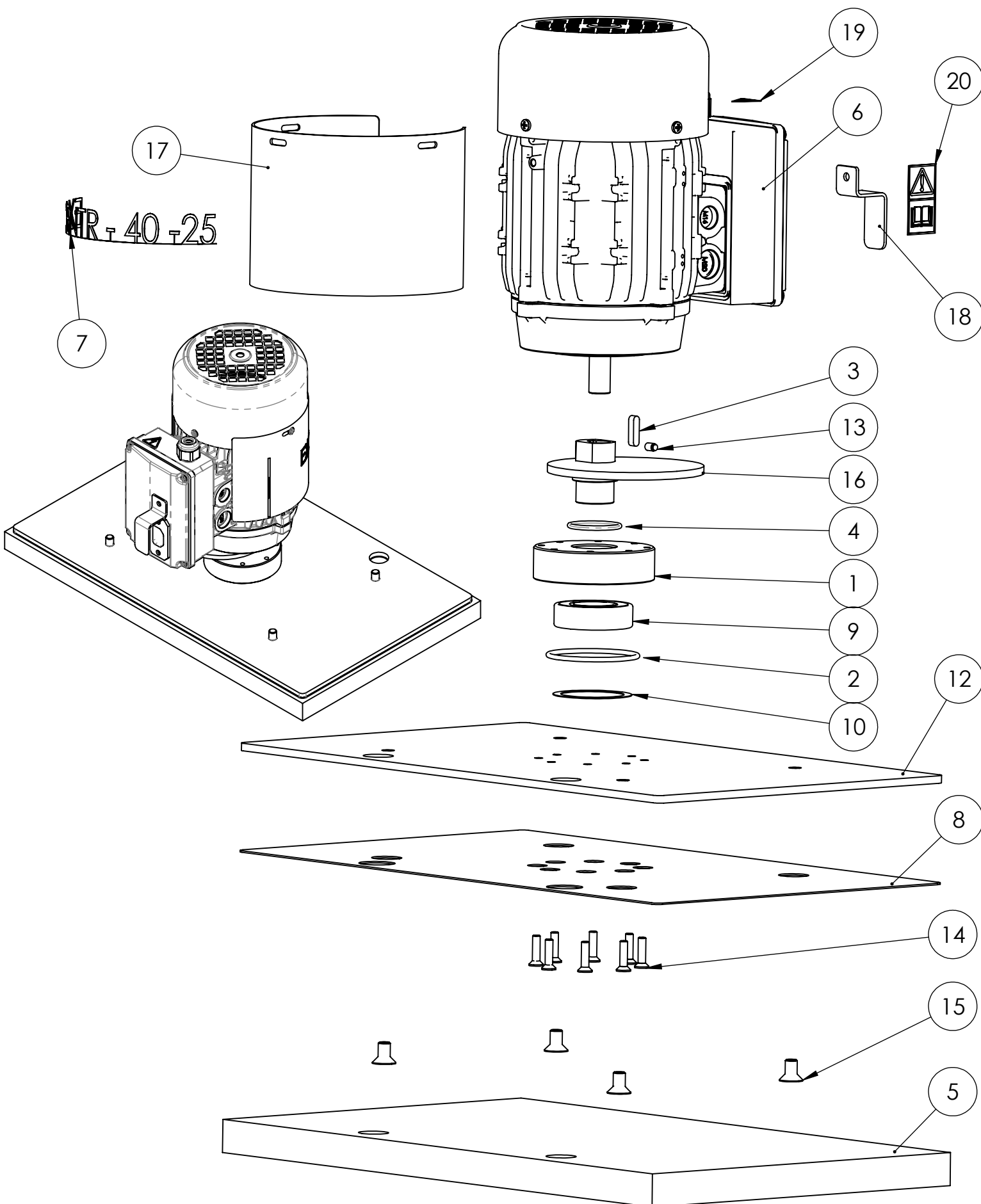
ITEM NO.	EXC. NO.	PART NUMBER	DESCRIPTION	Description ENG	Default/Qty.
1	SUB	0768	MOTOR+EXCENTRIEK+VOETPLAAT	MOTOR + ECCENTRIC + SCRUB PLATE	1
2	705108	0770	MOTORPLAAT 40-25 (36-230V)	MOTOR MOUNTING PLATE	1
3	800086	0271-pol	TAPEIND Ø12 M8 L=67	DOUBLE THREADED ROD M8 L=67	2
4	800023	DIN 125A-M08	SLUITRING M8	WASHER M8	10
5	800021	DIN 912-M08X20	IMBUSSCHROEF CK M8X20	SOCKET CAP SCREWM8X20	2
6	800041	DIN 933-M08X12	BOUT ZK M8X12	HEX HEAD BOLT M8X12	4
7	800049	DIN 934-M8	MOER M8	NUT M8	4
8	800036	DIN 985-M5	BORGMOER M5	LOCK NUT M5	9
9	800022	DIN 985-M8	BORGMOER M8	LOCK NUT M8	4
10	800190	DIN 6921-M06X12	BOUT MET FLENS ZK M06X12	HEX FLANGE BOLT M6X12	4
11	800133	ISO 7380-M5x12	IMBUSSCHROEF BK M5X12	SOCKET BUTTON HEAD SCREW M5X12	3
12	800119	ISO 7380-M5x16	IMBUSSCHROEF BK M5X16	SOCKET BUTTON HEAD SCREW M5X16	6
13	800111	DIN 9021-M05	CARROSSERIERING M5	FENDER WASHER M5	3
14	650051	0776	BUMPER 4025	WALL PROTECTION BUMPER 40-25	1
15	540044	0852	40/29-45 BF 43sh M8X15/M8i	WAISTED BOBBIN	4
16	650004	trilrubber M8	TRILRUBBER M8 D=40 L=40	VIBRATION DAMPER M8 40X40	4
17	210030	2069	T-STUK SLANGTULE Ø5	TEE FOR HOSE Ø5 MALE	1
18	800048	0067	LEIDINGKLEM	TUBE CLAMP Ø7.9-12.7MM	5
19	210027	2070	90° BOCHT SLANGTULE Ø5	KNEE FOR HOSE Ø5 MALE	3
20	210028	0860	SLANG Ø8X1.5 L=103 MM	HOSE FOR WATER DRIP (1)	2
21	210028	0861	SLANG Ø8X1 L=242MM	HOSE FOR WATER DRIP (2)	1
22	210028	1477	SLANG Ø8X1 L=40MM	HOSE FOR WATER DRIP (3)	2
23	608002	handvat zwart	HANDVAT ZWART	U-HANDLES BLACK	1

OLIEKKEERING



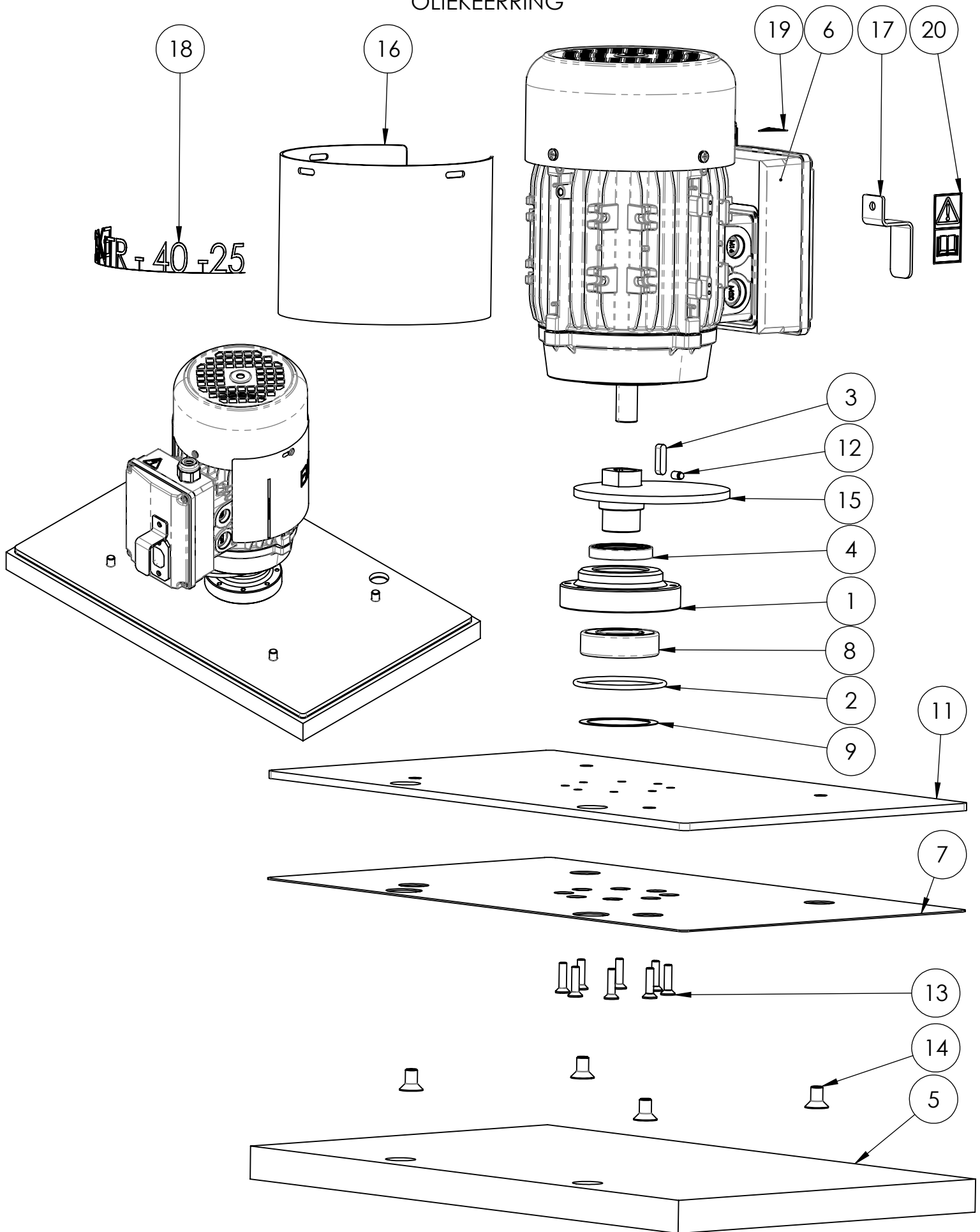
ITEM NO.	EXC. NO.	PART NUMBER	DESCRIPTION	Description ENG	QTY.
1	SUB	2185	MOTOR+EXCENTRIEK+VOETPLAAT	MOTOR + ECCENTRIC + SCRUB PLATE	1
2	705108	0770	MOTORPLAAT 40-25 (36-230V)	MOTOR MOUNTING PLATE	1
3	800086	0271-pol	TAPEIND Ø12 M8 L=67	DOUBLE THREADED ROD M8 L=67	2
4	800023	DIN 125A-M08	SLUITRING M8	WASHER M8	10
5	800021	DIN 912-M08X20	IMBUSSCHROEF CK M8X20	SOCKET CAP SCREWM8X20	2
6	800041	DIN 933-M08X12	BOUT ZK M8X12	HEX HEAD BOLT M8X12	4
7	800049	DIN 934-M8	MOER M8	NUT M8	4
8	800036	DIN 985-M5	BORGMOER M5	LOCK NUT M5	5
9	800022	DIN 985-M8	BORGMOER M8	LOCK NUT M8	4
10	800190	DIN 6921-M06X12	BOUT MET FLENS ZK M06X12	HEX FLANGE BOLT M6X12	4
11	800133	ISO 7380-M5x12	IMBUSSCHROEF BK M5X12	SOCKET BUTTON HEAD SCREW M5X12	3
12	800119	ISO 7380-M5x16	IMBUSSCHROEF BK M5X16	SOCKET BUTTON HEAD SCREW M5X16	2
13	800111	DIN 9021-M05	CARROSSERIERING M5	FENDER WASHER M5	3
14	650051	0776	BUMPER 4025	WALL PROTECTION BUMPER 40-25	1
15	540044	0852	40/29-45 BF 43sh M8X15/M8i	WAISTED BOBBIN	4
16	650004	trilrubber M8	TRILRUBBER M8 D=40 L=40	VIBRATION DAMPER M8 40X40	4
17	210030	2069	T-STUK SLANGTULE Ø5	TEE FOR HOSE Ø5 MALE	1
18	800048	0067	LEIDINGKLEM	TUBE CLAMP Ø7.9-12.7MM	5
19	210027	2070	90° BOCHT SLANGTULE Ø5	KNEE FOR HOSE Ø5 MALE	3
20	210028	0860	SLANG Ø8X1.5 L=103 MM	HOSE FOR WATER DRIP (1)	2
21	210028	0861	SLANG Ø8X1 L=242MM	HOSE FOR WATER DRIP (2)	1
22	210028	1477	SLANG Ø8X1 L=40MM	HOSE FOR WATER DRIP (3)	2
23	608002	handvat zwart	HANDVAT ZWART	U-HANDLES BLACK	1
24	800332	2012	BLINDKLINKNAGEL Ø4.8 L=18 (8.0-13.0)	RIVET Ø4.8 L=18 (8.00-13.0)	4

O-RING



ITEM NO.	EXC. NO.	PART NUMBER	DESCRIPTION	Description ENG	QTY.
1	707018	0150-pol	LAGERHUIS KLEINE MACHINES	BEARING HOUSE SMALL	1
2	800054	0145-pol	O-RING NBR ZW 36624 56X3	O-RING Ø56X3	1
3	540011	0152-pol	VLAKKE INLEGSPIE 30X6X6	AXLE KEY 30X6X6	1
4	800056	0187-pol	O-RING NBR ZW 36624 30X3	O-RING Ø30X3	1
5	205720	0849	PAD VOOR 4025 ROOD	RED PAD 40-25	1
6	540041	0892	MOTOR 0.55kW 230VAC	MOTOR 0.55KW 230VAC	1
7	901020	1210	GEBOGEN STICKER 4025	STICKER 4025	1
8	205404.2	1217	PADHOUDER 4225	PAD FIXATION TAPE	1
9	801538	DIN 625 - 6205	KOGELLAGER 25X52X15	GROOVE BALL BEARING 25X52X15	1
10	801515	GLF 6205 K2	GOLFRING 52X42X0.5	WAVE SPRING WASHER Ø52	1
11	705038	0153-pol	RING Ø24X14X3	WASHER Ø24X14X3	1
12	705107	0771	VOETPLAAT 42-25	FOOD PLATE 40-25	1
13	800104	0154-pol	STELSCHROEF M6X8	SOCKET SET SCREW M6X8	1
14	800103	DIN 7991-M05X20	IMBUSSCHROEF VK M5X20	COUNTERSUNK HEAD SCREW M5X20	8
15	800096	DIN 7991-M08X14	IMBUSSCHROEF VK M8X14	COUNTERSUNK HEAD SCREW M8X14	4
16	WELD ASS	0897	EXCENTRIEK 4025 GELAST	ECCENTRIC 40-25 WELDED	1
17	705303	1209	MOTORKOELKAP 375 - 550 W	MOTOR COOL CAP	1
18	705304	1487	BORGBEUGEL HAAKSESTEKKER	LOCKING PLATE FOR PLUG C13	1
19	901007	1582	WAARSCHUWINGSSTICKER EL. SPANNING	HIGH VOLTAGE STICKER	1
20	901006	1583	STICKER HANDBOEK	STICKER MANUAL	1

OLIEKEERING



ITEM NO.	EXC. NO.	PART NUMBER	DESCRIPTION	Description ENG	Default/ QTY.
1	707096	2041	LAGERHUIS KLEINE MACHINES Ø52	BEARING HOUSE Ø52	1
2	800054	0145-pol	O-RING NBR ZW 36624 56X3	O-RING Ø56X3	1
3	540011	0152-pol	VLAKKE INLEGSPIE 30X6X6	AXLE KEY 30X6X6	1
4	801543	SKF_30X42X7 HMSA10 V	SKF_30X42X7 HMSA10 V	SEAL 30X42X7	1
5	205720	0849	PAD VOOR 4025 ROOD	RED PAD 40-25	1
6	540041	0892	MOTOR 0.55kW 230VAC	MOTOR 0.55KW 230VAC	1
7	205404.2	1217	PADHOUDER 4225	PAD FIXATION TAPE	1
8	801538	DIN 625 - 6205	KOGELLAGER 25X52X15	GROOVE BALL BEARING 25X52X15	1
9	801515	GLF 6205 K2	GOLFRING 52X42X0.5	WAVE SPRING WASHER Ø52	1
10	705038	0153-pol	RING Ø24X14X3	WASHER Ø24X14X3	1
11	705107	0771	VOETPLAAT 42-25	FOOD PLATE 40-25	1
12	800104	0154-pol	STELSCHROEF M6X8	SOCKET SET SCREW M6X8	1
13	800103	DIN 7991-M05X20	IMBUSSCHROEF VK M5X20	COUNTERSUNK HEAD SCREW M5X20	8
14	800096	DIN 7991-M08X14	IMBUSSCHROEF VK M8X14	COUNTERSUNK HEAD SCREW M8X14	4
15	ASS	2043	EXCENTRIEK 4025 GELAST	ECCENTRIC 40-25 WELDED	1
16	705303	1209	MOTORKOELKAP 375 - 550 W	MOTOR COOL CAP	1
17	705304	1487	BORGBEUGEL HAAKSESTEKKER	LOCKING PLATE FOR PLUG C13	1
18	901020	1210	GEBOGEN STICKER 4025	STICKER 4025	1
19	901007	1582	WAARSCHUWINGSSTICKER EL. SPANNING	HIGH VOLTAGE STICKER	1
20	901006	1583	STICKER HANDBOEK	STICKER MANUAL	1