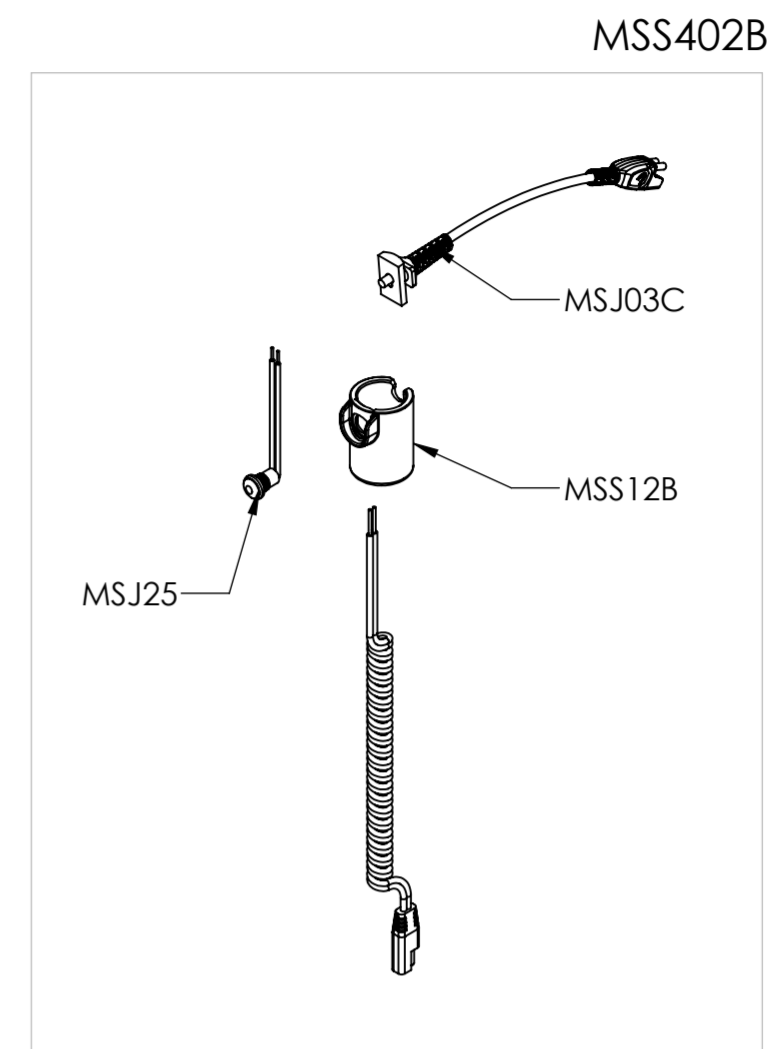
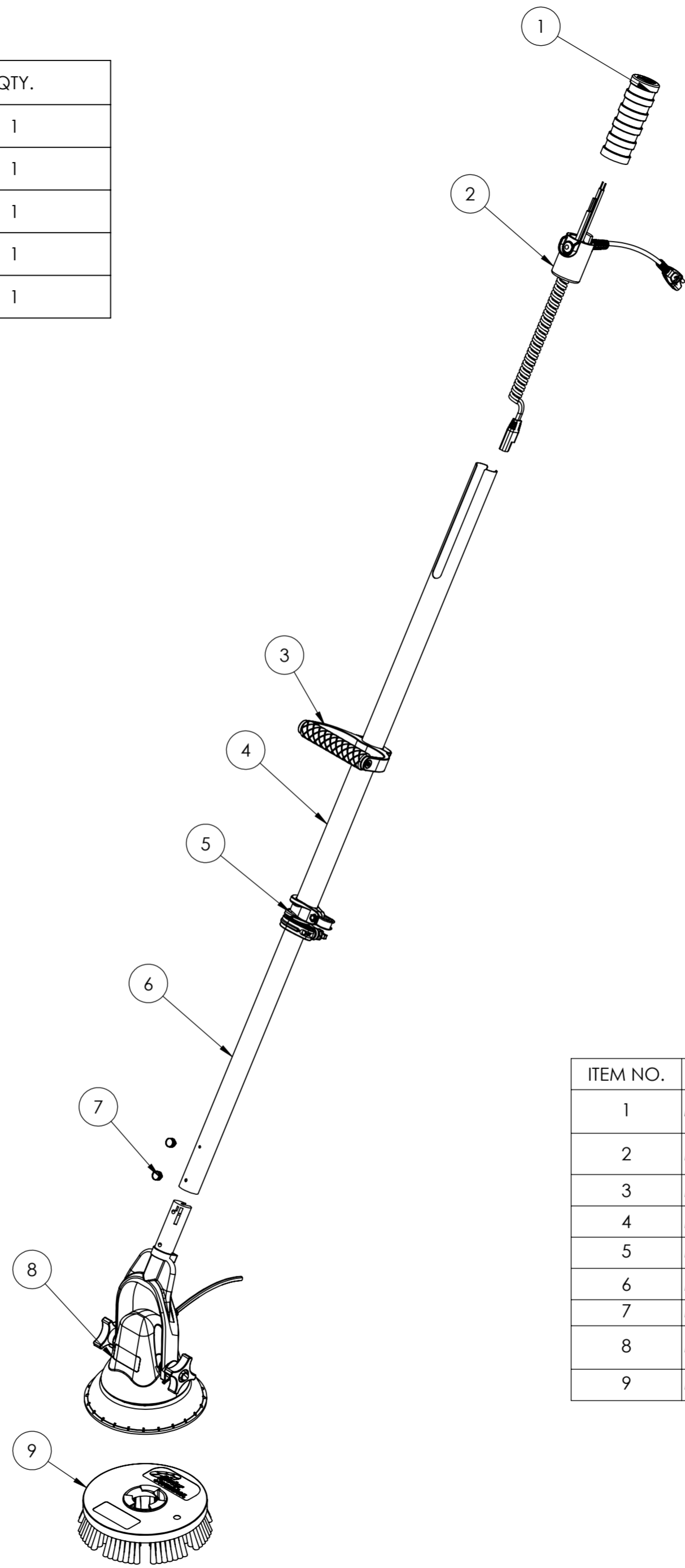
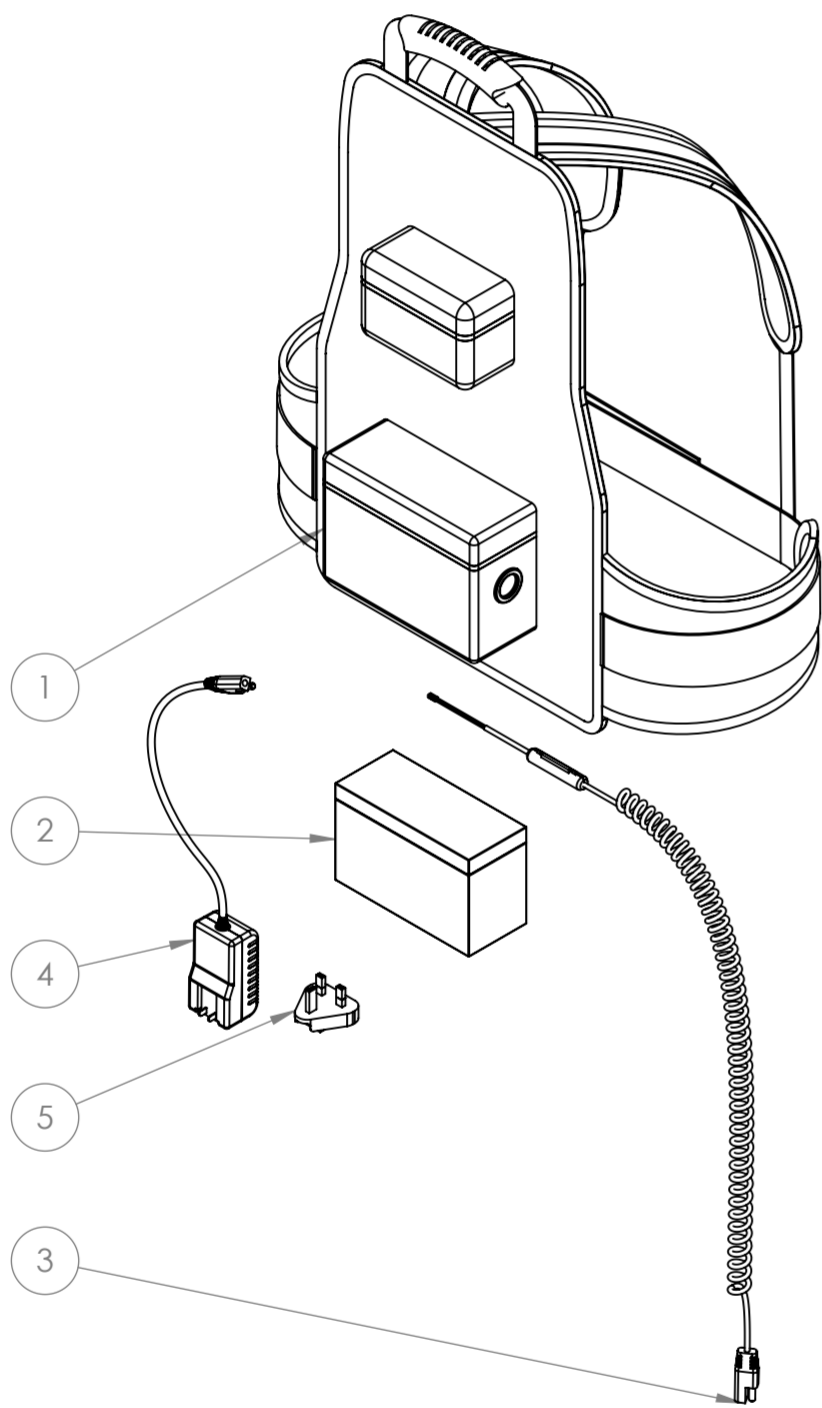



BACKPACK

ITEM NO.	PART CODE	DESCRIPTION	QTY.
1	MSS02-B	NEW M3/JET3 BACKPACK UNIVERSAL	1
2	12V7ADC	BATTERY WITH DC CONNECTOR	1
3	MS3009C	BATTERY COILED LEAD WITH DC BATTERY CONNECTOR, 3PIN SAE	1
4	MSCHARGC	MOTORSCRUBBER CHARGER BODY ONLY	1
5	MSPAUK	UK PLUG ADAPTOR FOR CHARGER	1




ITEM NO.	PART NUMBER	DESCRIPTION	QTY.
1	MSS103	New Rubber grip for 32mm handle with logo	1
2	MSS402B	SWITCH HOUSING COMPLETE FOR M3M	1
3	MS3004C	GRAB HANDLE	1
4	MS3003R-A	32mm Aluminium Tube	1
5	MSS032	Handle Flip Clip 32mm	1
6	MS3003R-B	29mm Aluminium Tube	1
7	MSS172B	Grey Thumb Screw	2
8	MSGREY12V	Motorscrubber Motorhead complete Grey with YOKE	1
9	MS1041	Medium Duty Brush	1

PROPRIETARY AND CONFIDENTIAL
The data and information disclosed on this drawing are the exclusive property of MotorScrubber and may be subject of UK and foreign patents and/or applications. Reproduction, copying, disclosure or use of this drawing data and information without the written permission of MotorScrubber is strictly Prohibited. Copyrighted.


M-TOR SCRUBBER
MOTORSCRUBBER Ltd. Sheffield, United Kingdom

Description
M3 Medium Starter Kit UK

Assembly type

<small>THIRD ANGLE PROJECTION</small> 	<small>REVISION</small> REV.1.1	<small>RELEASE STATUS</small> In Work	<small>DRAWN</small> 	<small>NAME</small> 	<small>Part Code</small>
<small>SCALE</small> A2	<small>DATE CHANGED</small> 1828.53	<small>CHANGED BY</small> 	<small>APPROVED</small> 	<small>NAME</small> 	