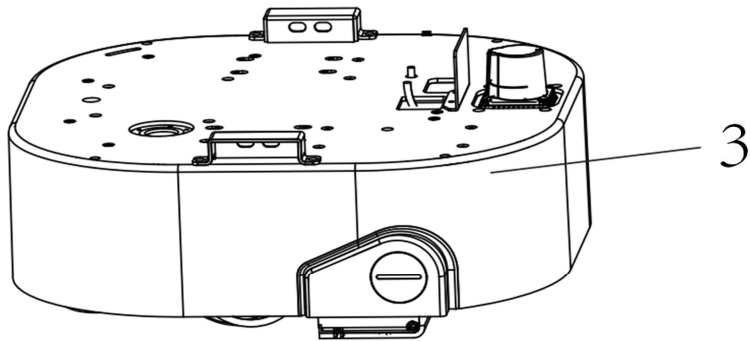
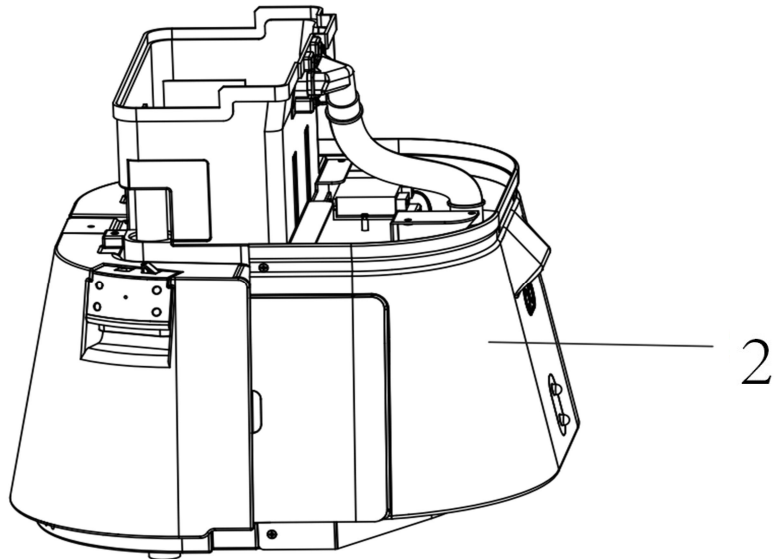
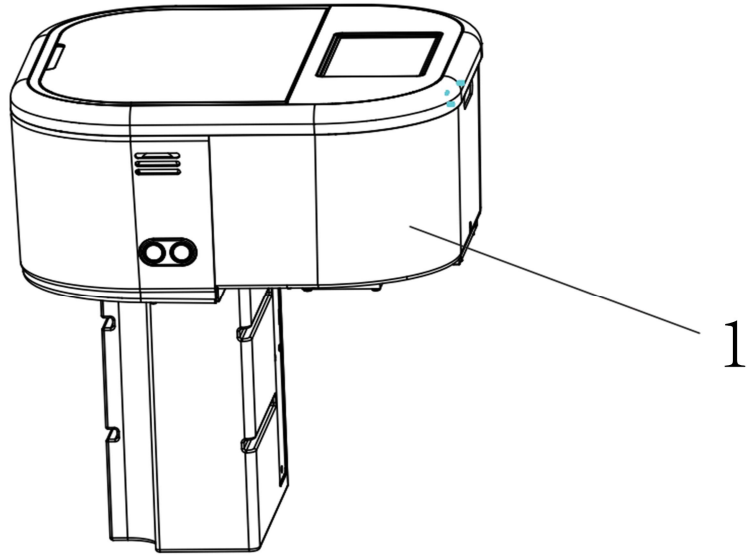
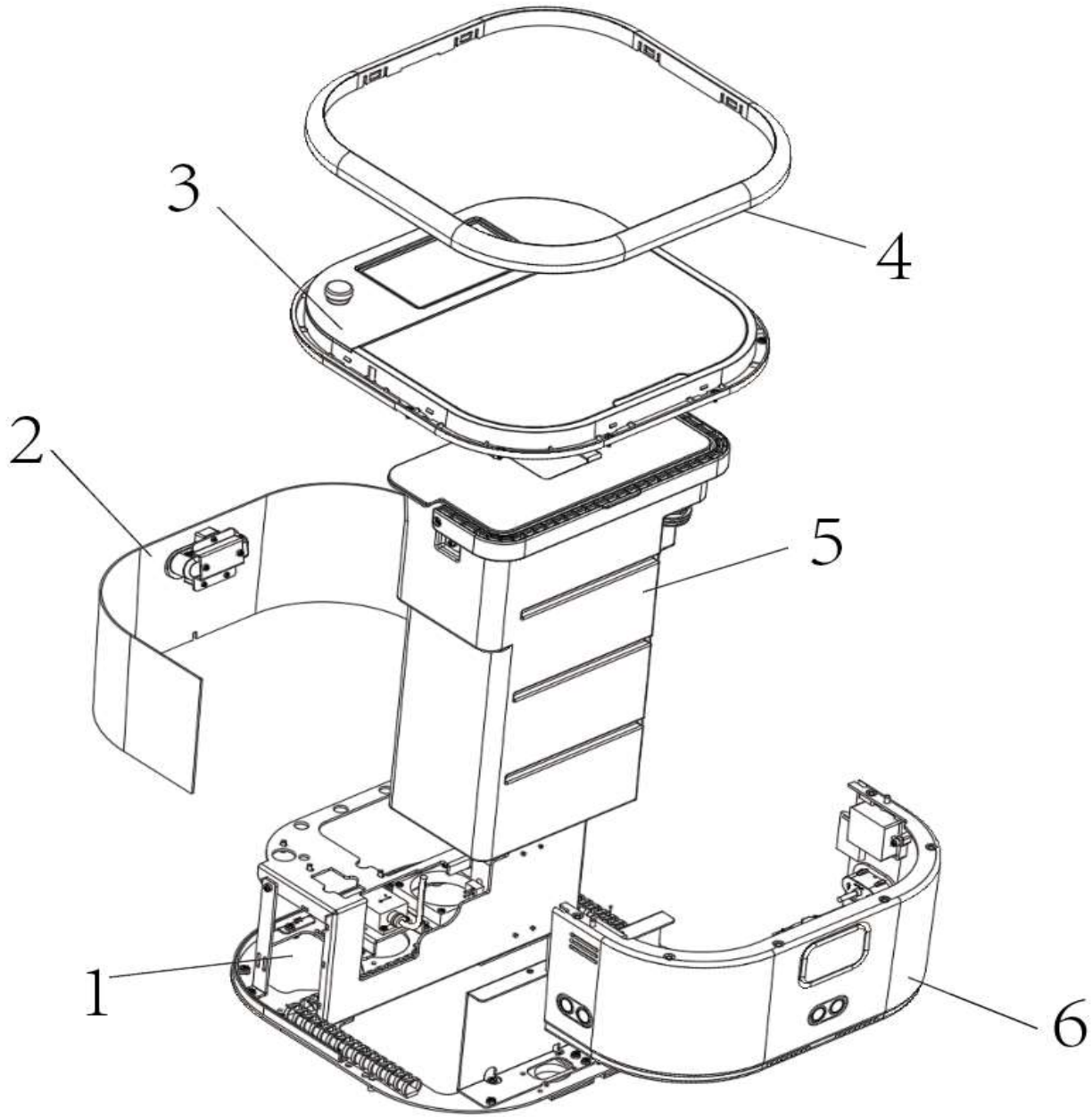


Description	Part No.	Version	Date
Cleaning Robot	2210601001	1.05	03/31/2023



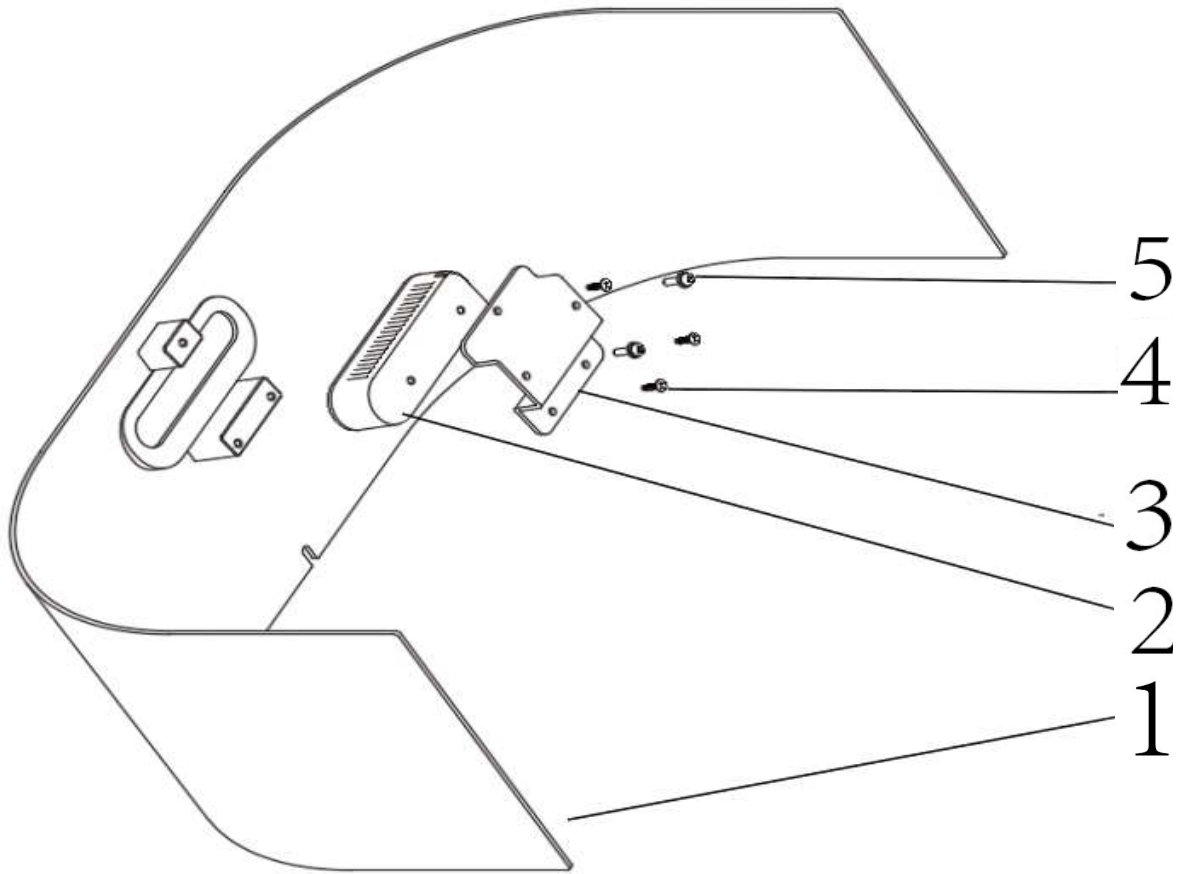
No	Part Code	Description	Quantity
1	3210601018	Top Assembly	1
2	3210601019	Mid Assembly	1
3	3210601007	Bottom Assembly	1

Description	Part No.	Version	Date
Top Assembly	3210601018	1.05	03/31/2023



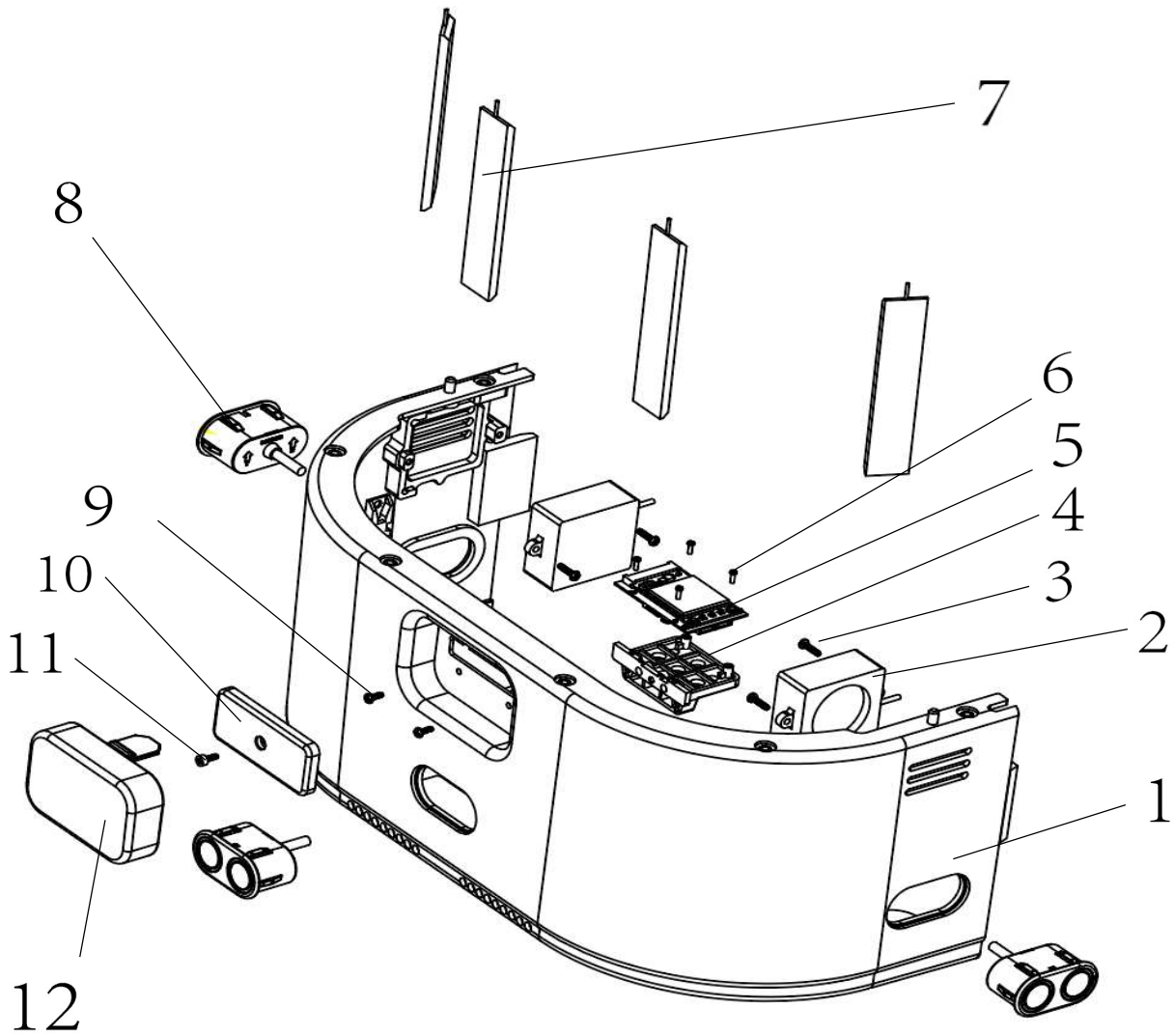
No	Part Code	Description	Quantity
1	3210601037	Upper Structure Assembly	1
2	3210601041	Window Panel Assembly	1
3	3210601015	Top Head Panel Assembly	1
4	3210601016	Light Stripe Assembly	1
5	3210601004	Waste Water Tank	1
6	3210601005	Lower Head Panel Assembly	1

Description	Part No.	Version	Date
Window Panel Assembly	3210601041	1.05	03/31/2023



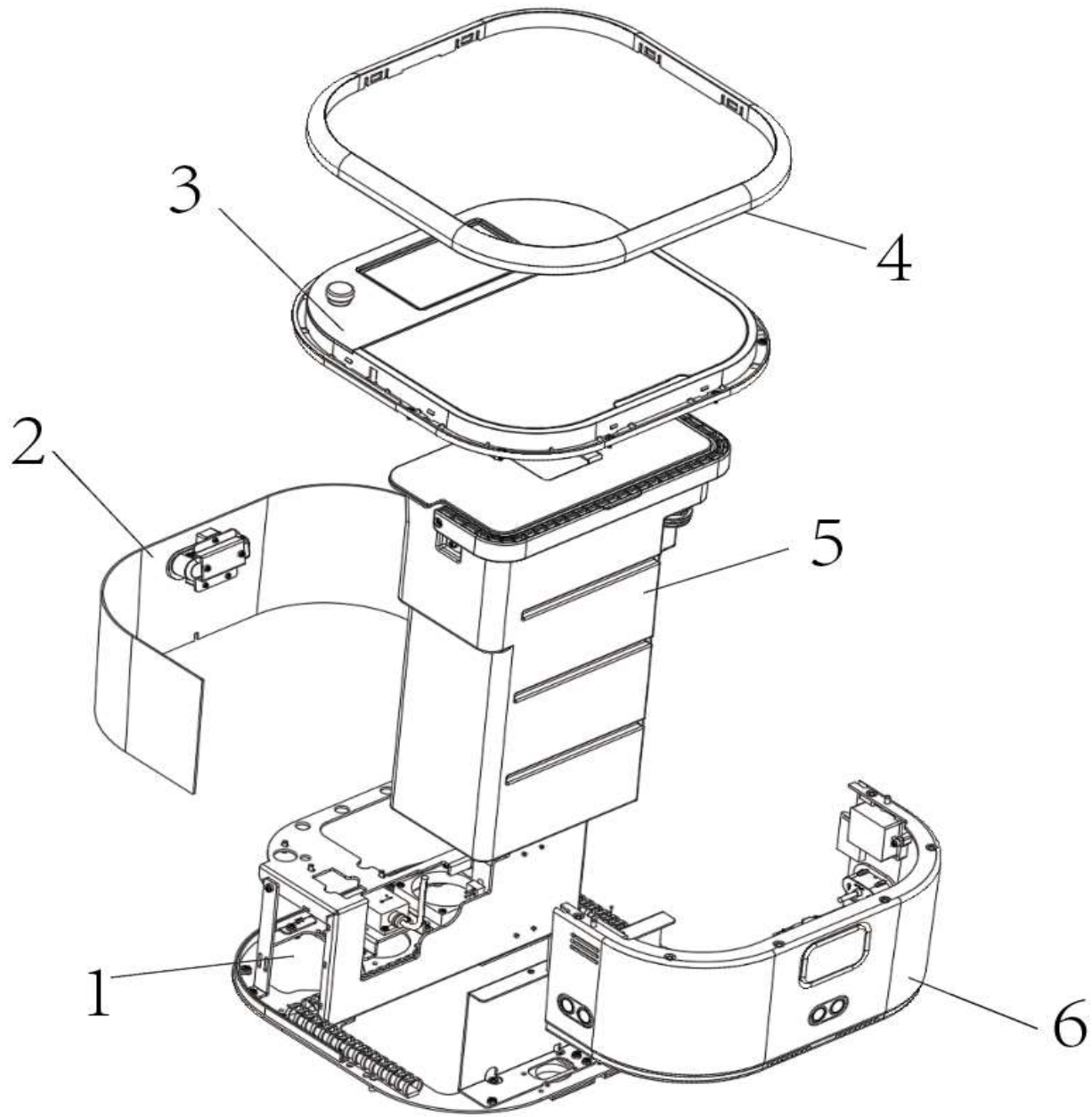
No	Part Code	Description	Quantity
1	16411012	Window Lense	1
2	13001003	TOF Sensor	1
3	17201092	Sensor Stand	1
4	11301029	Pan-Head Self-Attack Screw M3×8	3
5	11301041	Screw Set M3×8	2

Description	Part No.	Version	Date
Lower Head Panel Assembly	3210601005	1.05	03/31/2023



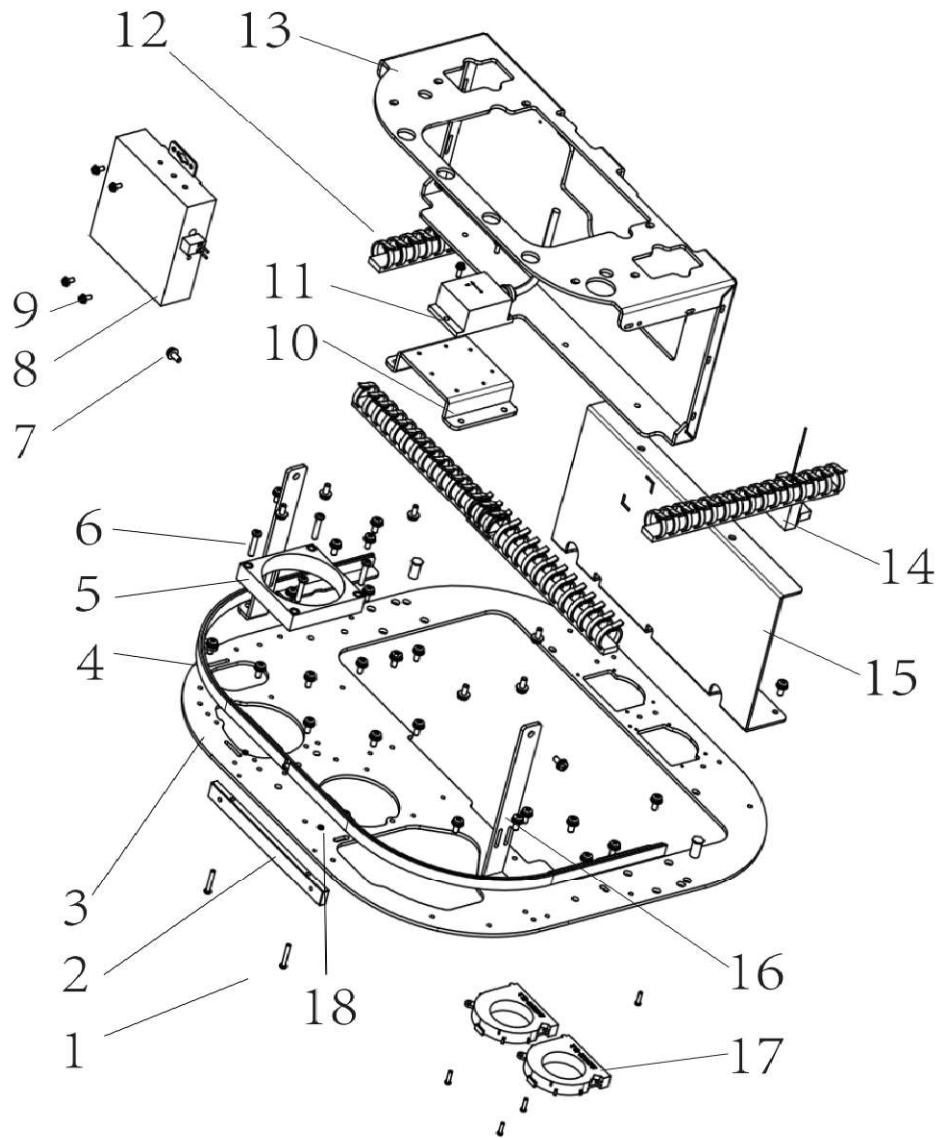
No	Part Code	Description	Quantity
1	16401009	Lower Head Panel	1
2	3210601026	Speakers	2
3	11301027	PB3×12 Screws	4
4	17201066	Router Stand	1
5	13801007	4G Router	1
6	11311109	PB2×6 Screws	4
7	13801019	4G/WIFI Antenna	4
8	19001001	Ultrasonic Sensors	3
9	11301029	PB3×8 Screws	2
10	16401109	Sim Card Cover	1
11	11301059	M3×8 Hex Screw	1
12	16601001	Silicon Cover	1

Description	Part No.	Version	Date
Top Head Panel Assembly	3210601018	1.05	03/31/2023



No	Part Code	Description	Quantity
1	3210601037	Upper Structure Assembly	1
2	3210601041	Window Panel Assembly	1
3	3210601015	Top Head Panel Assembly	1
4	3210601016	Light Strip Assembly	1
5	3210601004	Waste Water Tank	1
6	3210601005	Lower Head Panel Assembly	1

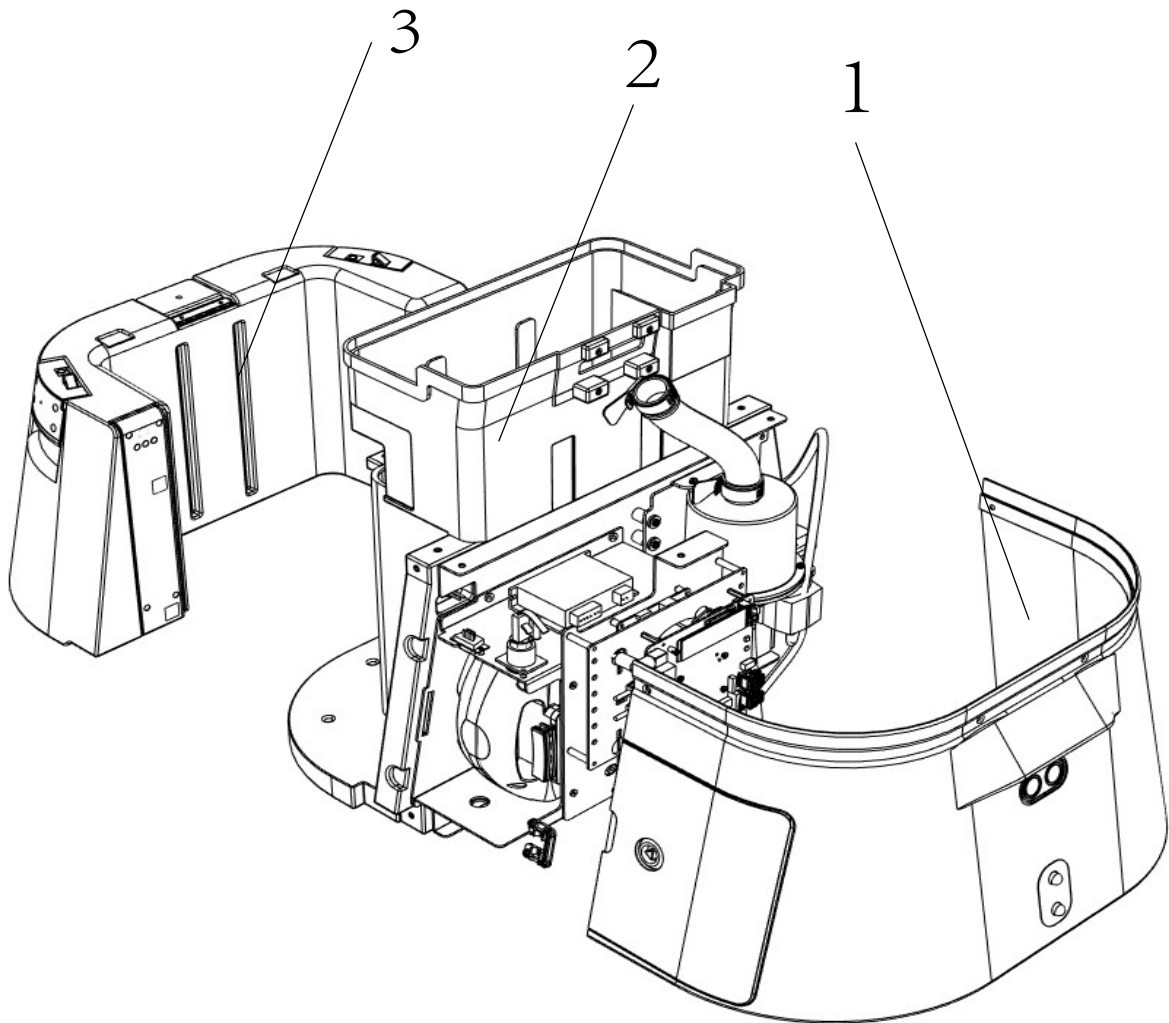
Description	Part No.	Version	Date
Upper Structure Assembly	3210601037	1.05	03/31/2023



Window Top Board Contains Window Foam in assembly.  
Rear Fan module contains 2 M2.5×10 set.

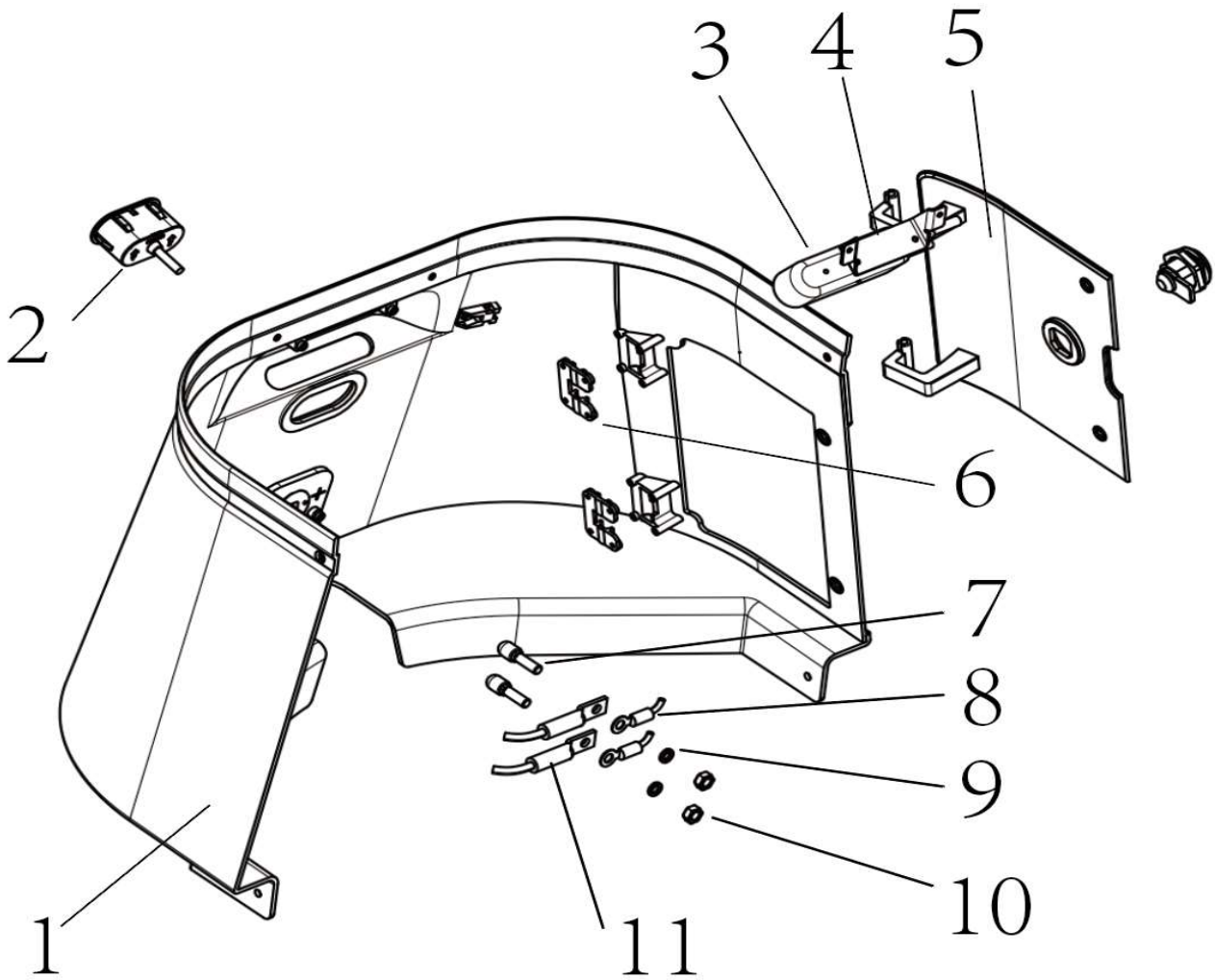
No	Part Code	Description	Quantity
1	11301011	Pan-Head Screw M3×20	2
2	17201005	Upper Structure Reinforcement	1
3	17201003	Upper Structure Frame	1
4	17201039	Window Top Board	1
5	19101005	Front Fan	1
6	11301038	Screw Set M4×20	4
7	11301040	Screw Set M4×10	37
8	12701011	Router#2	1
9	11301041	Screw Set M3×8	7
10	17201088	IMU Stand	1
11	12701009	IMU3	1
12	17601020	Wire Buckle	4
13	17201004	Head Supporting Structure	1
14	13801012	Remote Antenna	1
15	17201070	Rear Head Reinforcement Structure	1
16	17201069	Head Reinforcement Structure	2
17	3210601030	Rear Fan	2
18	11401001	φ3 Spring Washer	2

Description	Part No.	Version	Date
Mid Assembly	3210601019	1.05	03/31/2023



No	Part Code	Description	Quantity
1	3210601008	Mid Front Cover	1
2	3210601014	Main Control Assembly	1
3	3210601003	Clean Water Tank	1

Description	Part No.	Version	Date
Mid Front Assembly	3210601008	1.05	03/31/2023

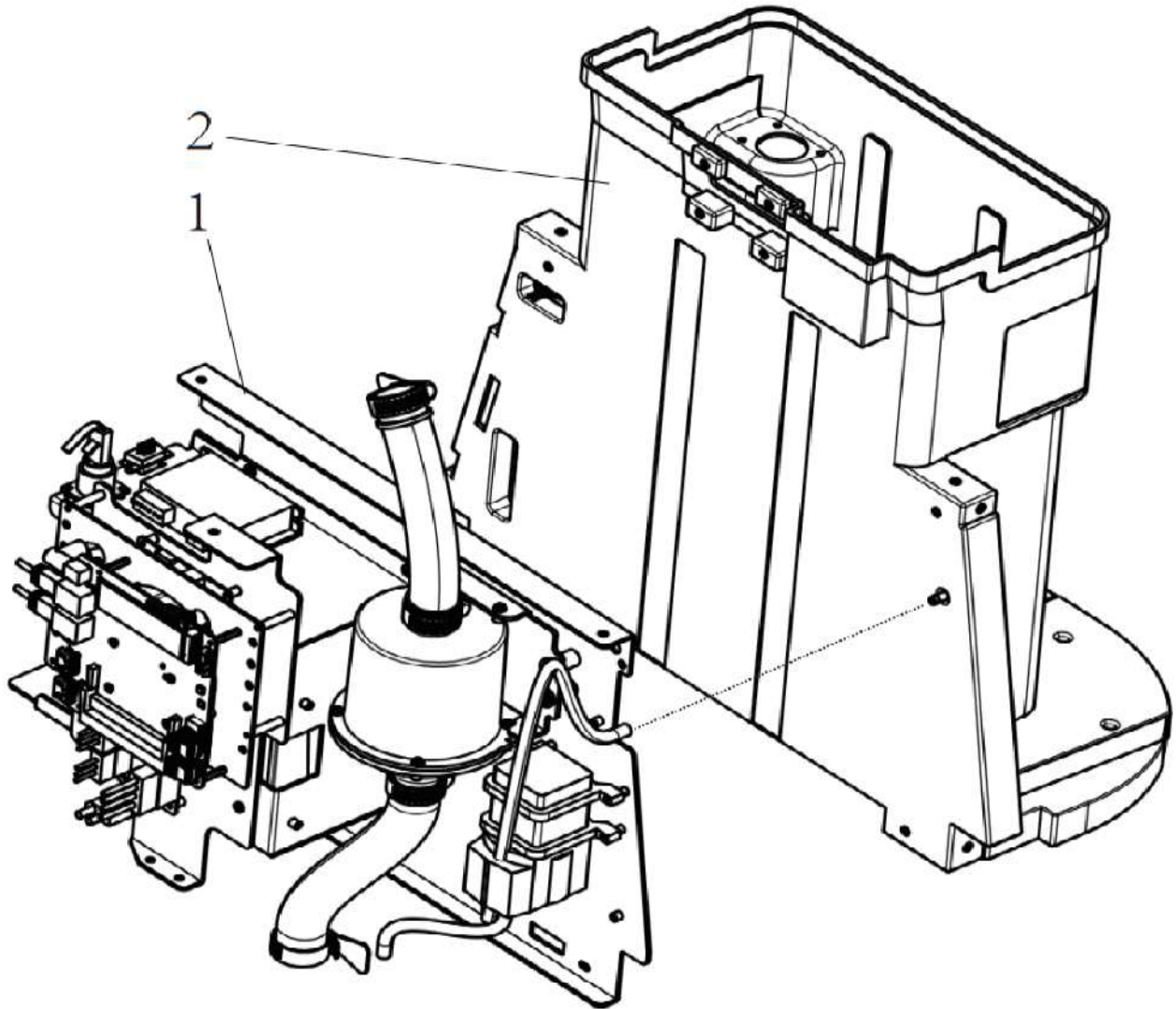


Note: Mid Front Cover contains wire buckle.  
 Battery Compartment Door contains lock.  
 Hinge Covers are fixed by 3×6 self-attack screws.  
 Camera is fixed by 3×8 screw sets.

No	Part Code	Description	Quantity
1	16401112	Mid Front Cover	1
2	19001001	Ultrasonic Sensor	1
3	13001002	TOF Sensor(Mid Front)	1
4	17201038	TOF Sensor Connector	1
5	16401111	Battery Compartment Door	1
6	16401060	Hinge Cover	2
7	16201024	Charging Connect Point	2
8	13211040	Charging Connect	2
9	11401004	φ6 Spring Washer	2
10	11201004	M6 Hex Nut	2
11	13201061	Temperature Sensor	2



Description	Part No.	Version	Date
Main Control Assembly	3210601014	1.05	03/31/2023



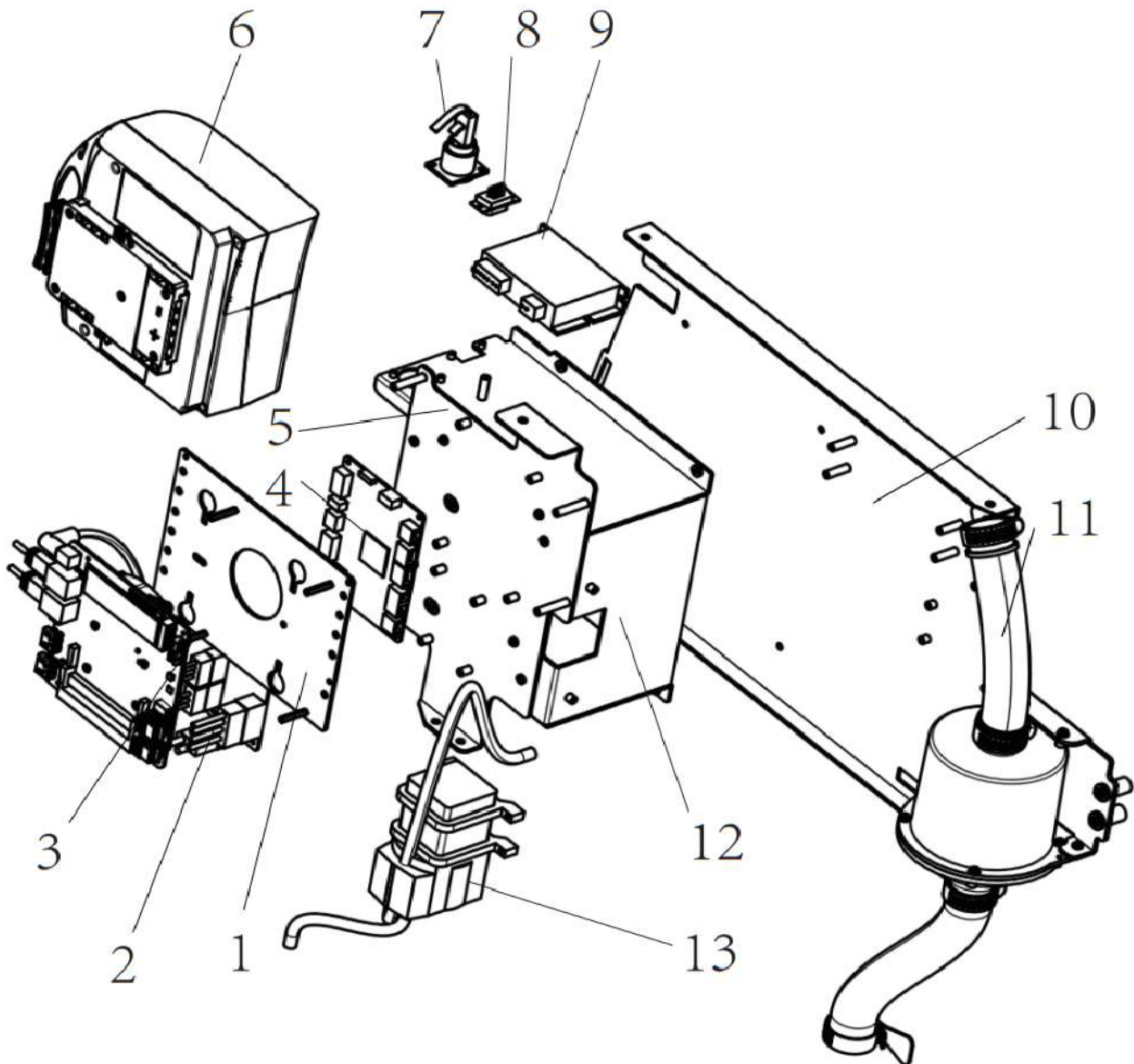
Note: To disassemble above assembly, make sure to remove hoses from connector first.

Cables attached to slave computer needs to be removed in order to avoid potential pulling damage.

Two major assembly are fixed by M4×10 screw sets.

No	Part Code	Description	Quantity
1	3210601009	Battery Compartment Assembly	1
2	3210601006	Sleeve Chamber Assembly	1

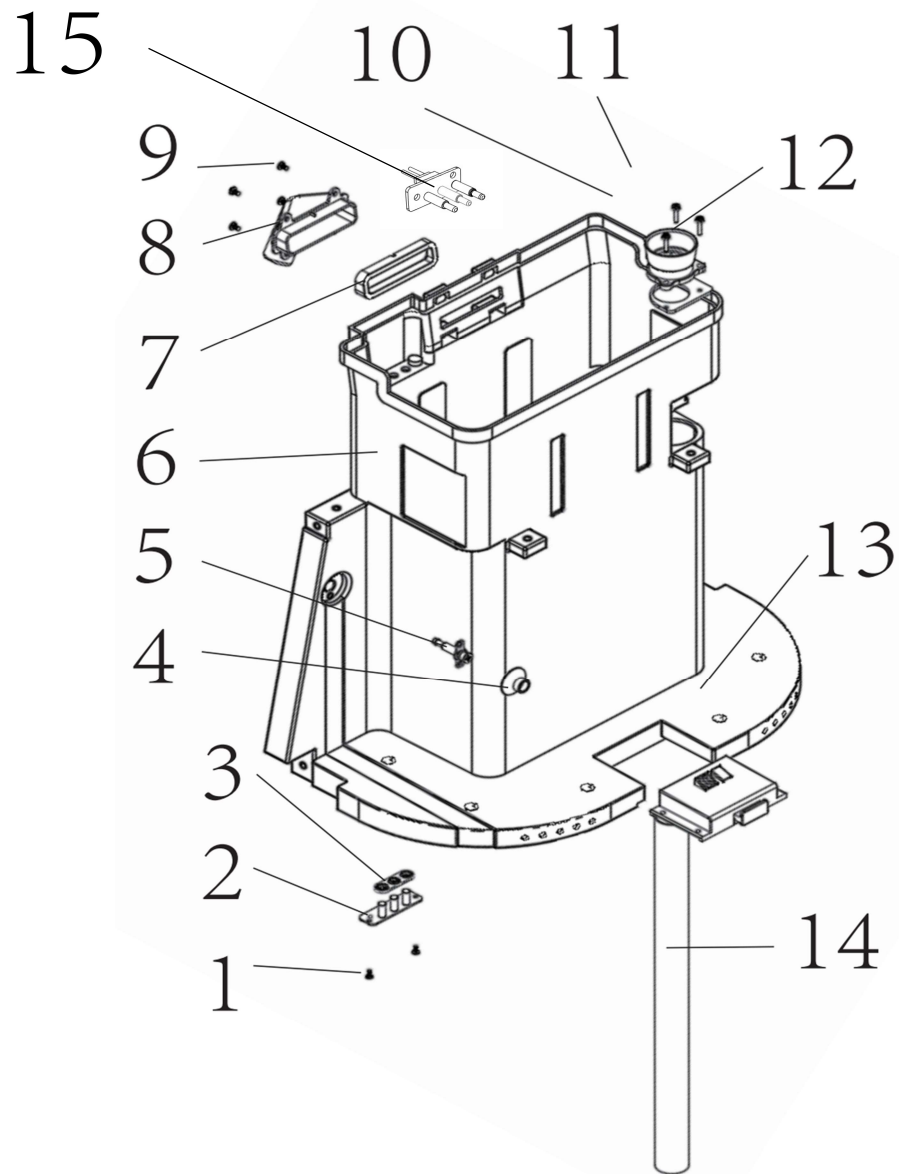
Description	Part No.	Version	Date
Battery Compartment	3210601009	1.05	03/31/2023



Note: Peristaltic Pump contains two hoses at both end.  
Screw sets will be included in individual module.

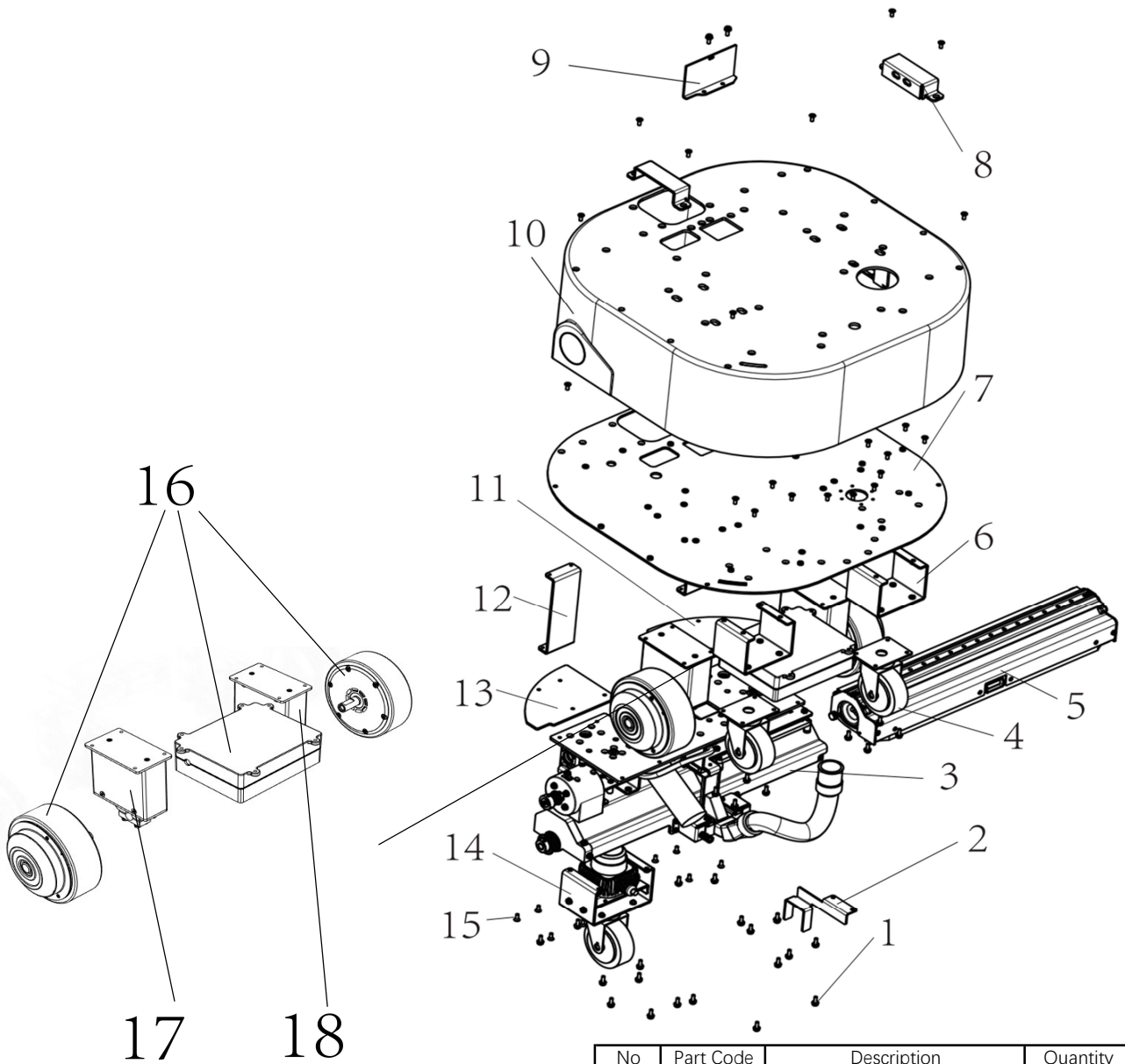
No	Part Code	Description	Quantity
1	17201089	Main Computer Stand	1
2	3210601040	Battery Cable Socket	1
3	12701013	Main Computer #5	1
4	13801011	Slave Computer	1
5	17201063	Battery Front Panel	1
6	13401002	Battery	1
7	14101002	Debug Port(for main computer)	1
8	3210601028	Debug Port(Slave Computer)	1
9	13801004	Peristaltic Pump Controller	1
10	17201061	Battery Rear Panel	1
11	3210601020	Vacuum Pump Assembly	1
12	17201062	Battery Mid Panel	1
13	3210601029	Peristaltic Pump	1

Description	Part No.	Version	Date
Sleeve Chamber Assembly	3210601006	1.05	03/31/2023



No	Part Code	Description	Quantity
1	11301007	Pan-Head Screw M3×6	2
2	13701001	Waste Water Tank Connector(Copper Pillar)	1
3	16601014	Copper Pillar Waterproof Mat for Waste Water	1
4	16601028	Silicon Cover	1
5	16401016	Top Connector	1
6	16401075	Mid-Rear Cover for Sleeve Chamber	1
7	16601012	Air Duct Joint Silicone Part	1
8	16401010	Duct Adapter Connector	1
9	11301002	Pan-Head Screw M4×6	4
10	15401010	Suction Hard Pipe	1
11	11301043	Screw Set M3×16	3
12	16401086	Pipettes Upper Connector	1
13	17201057	Rigid Tube Fixing Plate	1
14	3210601021	Rear Buckle Assembly	1
15	13701004	Clean Water Tank Connector(Pins)	1+A20:A1:56

Description	Part No.	Version	Date
Bottom Assembly	3210601007	1.05	03/31/2023



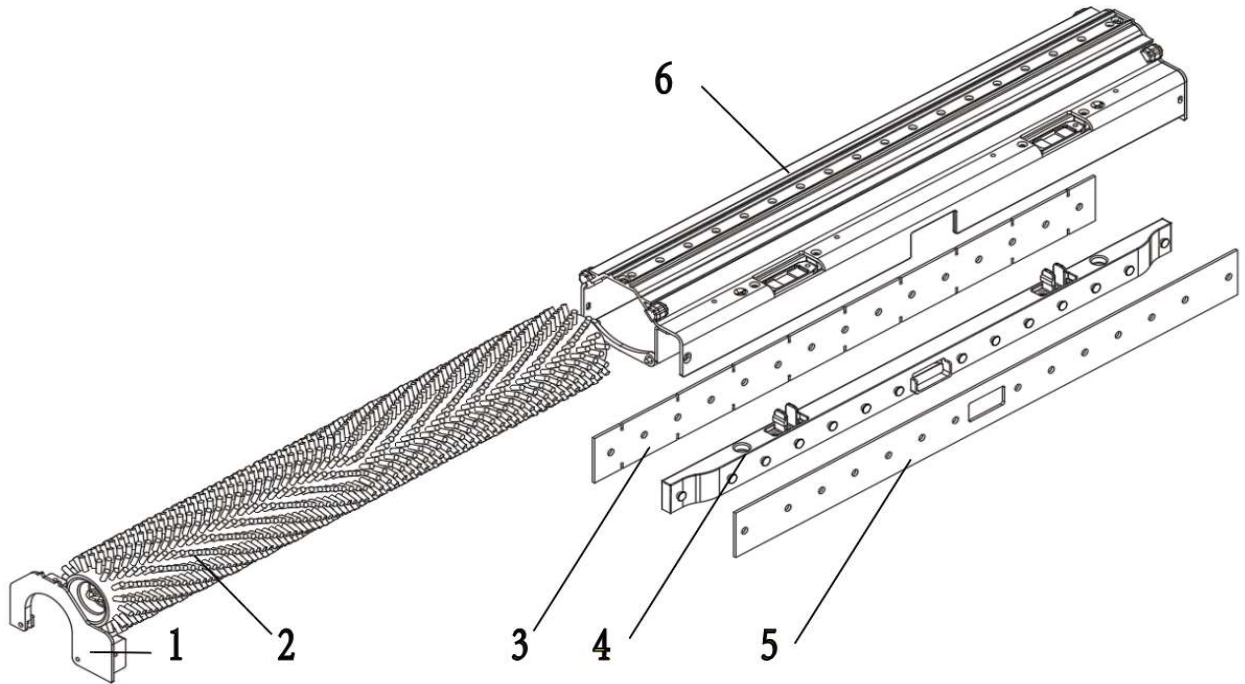
Note: Both suspension assembly do not contain motor wheels, which are contained in OA Drive Assembly.

Please do not disassemble 2D LiDAR Assembly, which might cause issue in navigation system.

Cleaning Module Assembly is directly connected to Suction Hard Pipe in Sleeve Chamber Assembly.

No	Part Code	Description	Quantity
1	11301039	Screw Sets M4×12	30
2	17201056	Suction Pipe Baffle	1
3	3210601002	Cleaning Module Assembly	1
4	17601030	Caster Wheel	2
5	3210601022	Scrubbing Module	1
6	17201012	Rear Caster Wheel Stand	2
7	17201010	Base Structure	1
8	17201006	Handle	2
9	17201032	Block Board	1
10	16401035	Base Cover	1
11	17201034	Left Front Base Board	1
12	17201035	Right Front Base Board	1
13	17201033	Base Stand	2
14	3220401012	2D LiDAR Assembly	1
15	11301017	Countersunk Screw M4×10(with anti-loosening)	36
16	3210601035	OA Drive Assembly	1
17	3210601039	Right Suspension Assembly	1
18	3210601036	Left Suspension Assembly	1

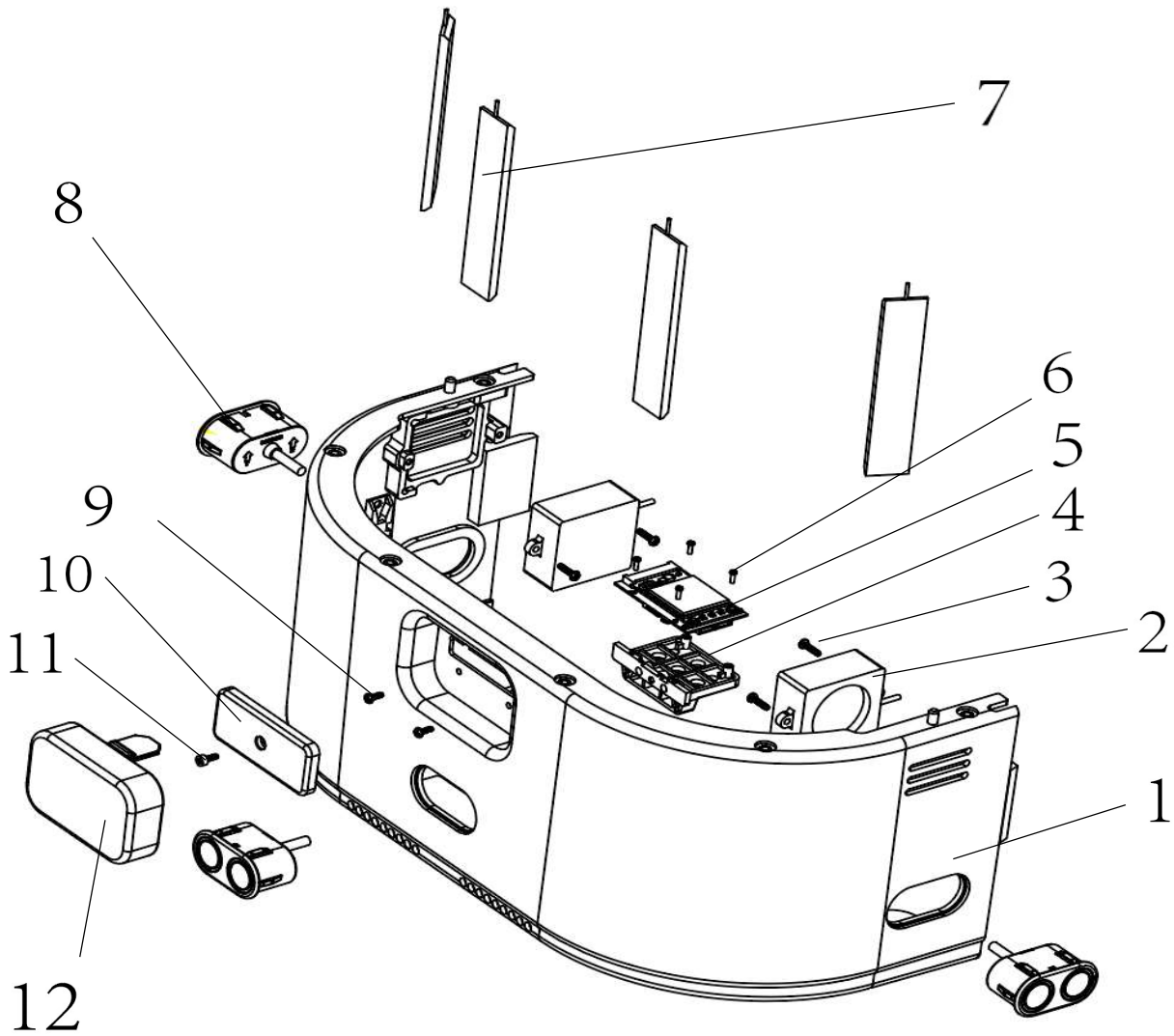
Description	Part No.	Version	Date
Scrubbing Module	3210601022	1.05	04/11/2023



Note: All parts are fixed by M3×6 screw set(with anti-loosening)

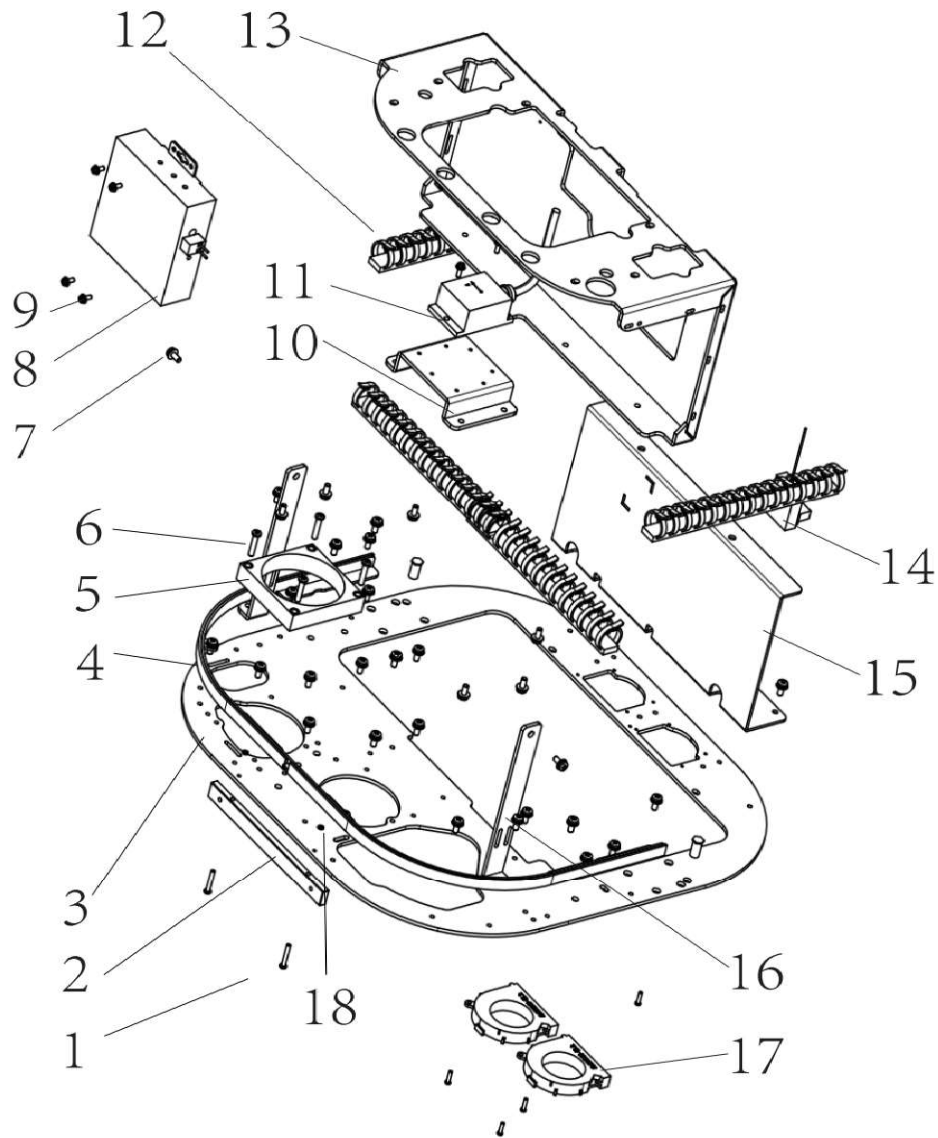
No	Part Code	Description	Quantity
1	16201030	Left Chamber Cover	1
2	16901007	Roller Brush	1
3	16601037	Front Scrubber Strip	1
4	16401096	Scrubber	1
5	16601032	Rear Scrubber Strip	1
6	3210601023	Scrubbing Module Chamber	1

Description	Part No.	Version	Date
Lower Head Panel Assembly	3210601005	1.05	03/31/2023



No	Part Code	Description	Quantity
1	16401009	Lower Head Panel	1
2	3210601026	Speakers	2
3	11301027	PB3×12 Screws	4
4	17201066	Router Stand	1
5	13801007	4G Router	1
6	11311109	PB2×6 Screws	4
7	13801019	4G/WIFI Antenna	4
8	19001001	Ultrasonic Sensors	3
9	11301029	PB3×8 Screws	2
10	16401109	Sim Card Cover	1
11	11301059	M3×8 Hex Screw	1
12	16601001	Silicon Cover	1

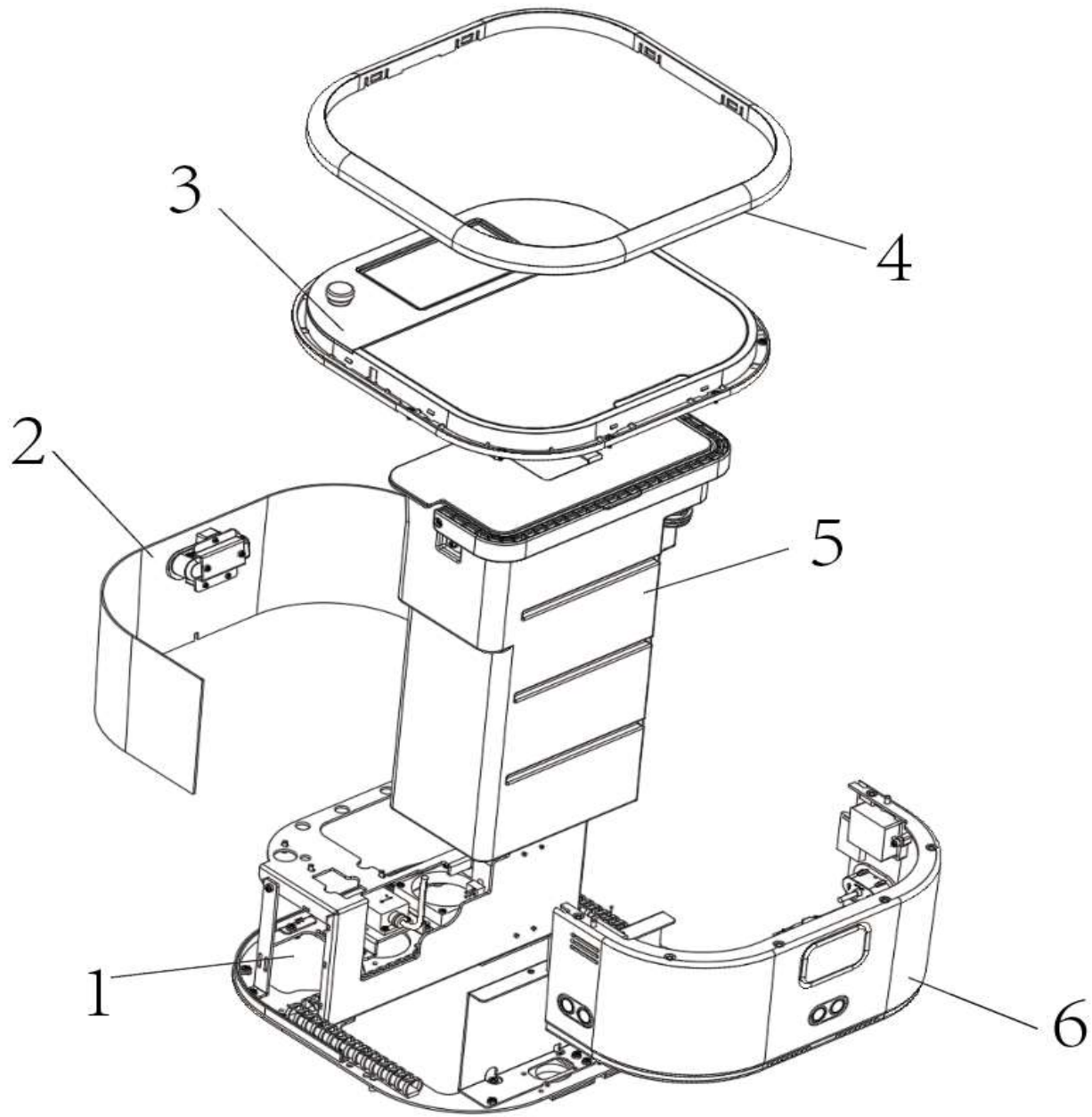
Description	Part No.	Version	Date
Upper Structure Assembly	3210601037	1.05	03/31/2023



Window Top Board Contains Window Foam in assembly.  
Rear Fan module contains 2 M2.5×10 set.

No	Part Code	Description	Quantity
1	11301011	Pan-Head Screw M3×20	2
2	17201005	Upper Structure Reinforcement	1
3	17201003	Upper Structure Frame	1
4	17201039	Window Top Board	1
5	19101005	Front Fan	1
6	11301038	Screw Set M4×20	4
7	11301040	Screw Set M4×10	37
8	12701011	Router#2	1
9	11301041	Screw Set M3×8	7
10	17201088	IMU Stand	1
11	12701009	IMU3	1
12	17601020	Wire Buckle	4
13	17201004	Head Supporting Structure	1
14	13801012	Remote Antenna	1
15	17201070	Rear Head Reinforcement Structure	1
16	17201069	Head Reinforcement Structure	2
17	3210601030	Rear Fan	2
18	11401001	φ3 Spring Washer	2

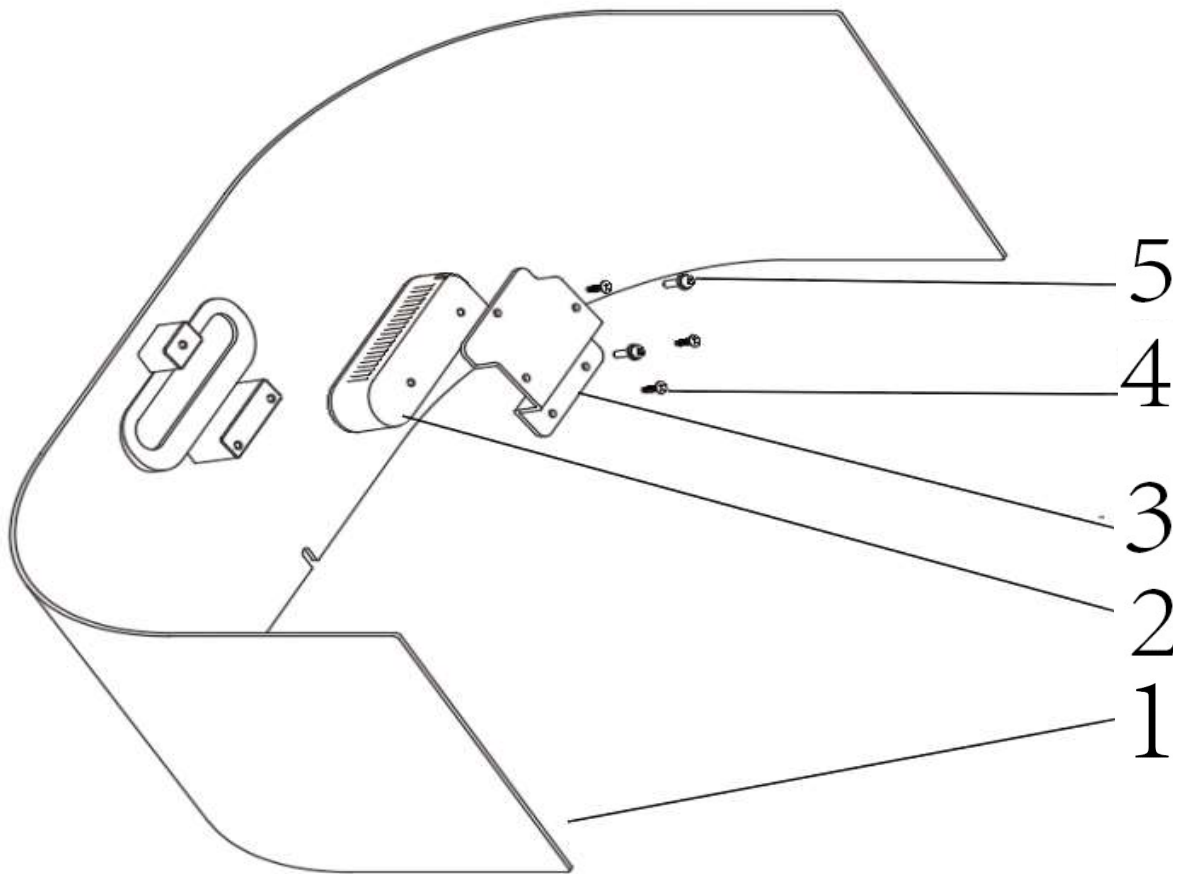
Description	Part No.	Version	Date
Top Head Panel Assembly	3210601018	1.05	03/31/2023



No	Part Code	Description	Quantity
1	3210601037	Upper Structure Assembly	1
2	3210601041	Window Panel Assembly	1
3	3210601015	Top Head Panel Assembly	1
4	3210601016	Light Strip Assembly	1
5	3210601004	Waste Water Tank	1
6	3210601005	Lower Head Panel Assembly	1

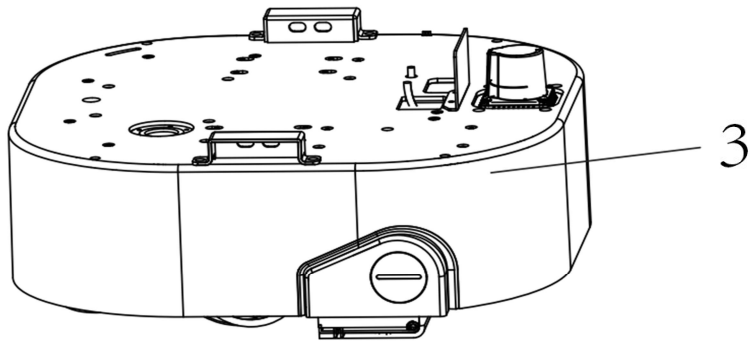
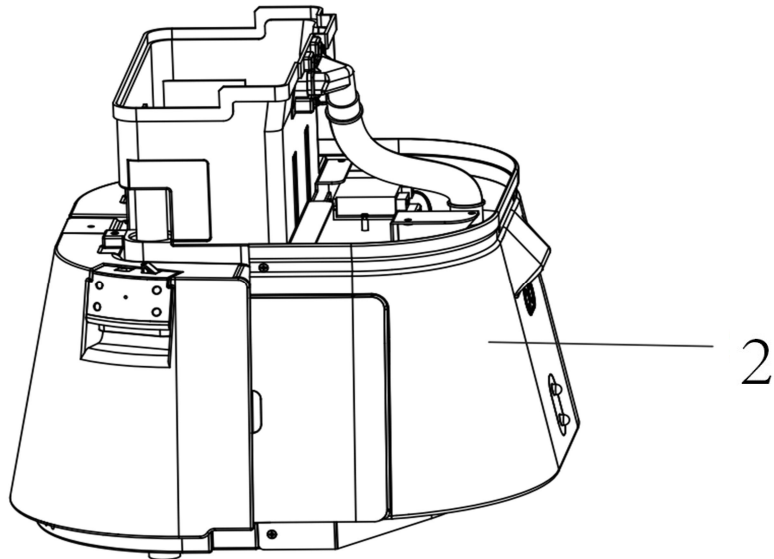
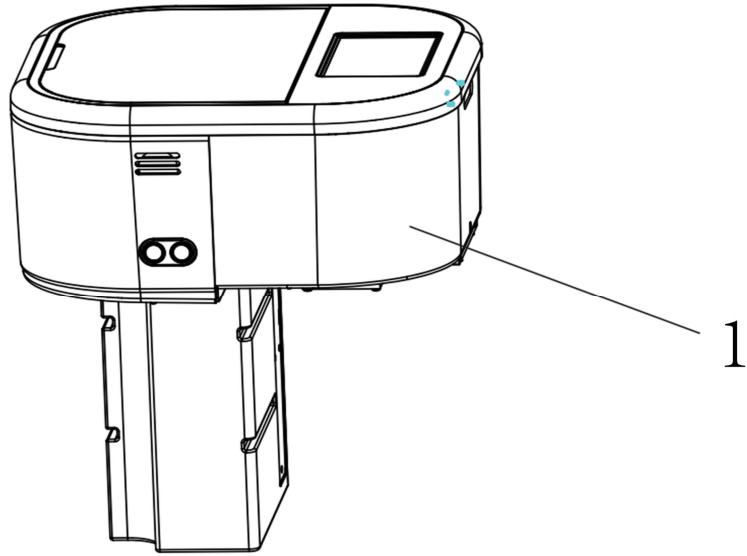


Description	Part No.	Version	Date
Window Panel Assembly	3210601041	1.05	03/31/2023



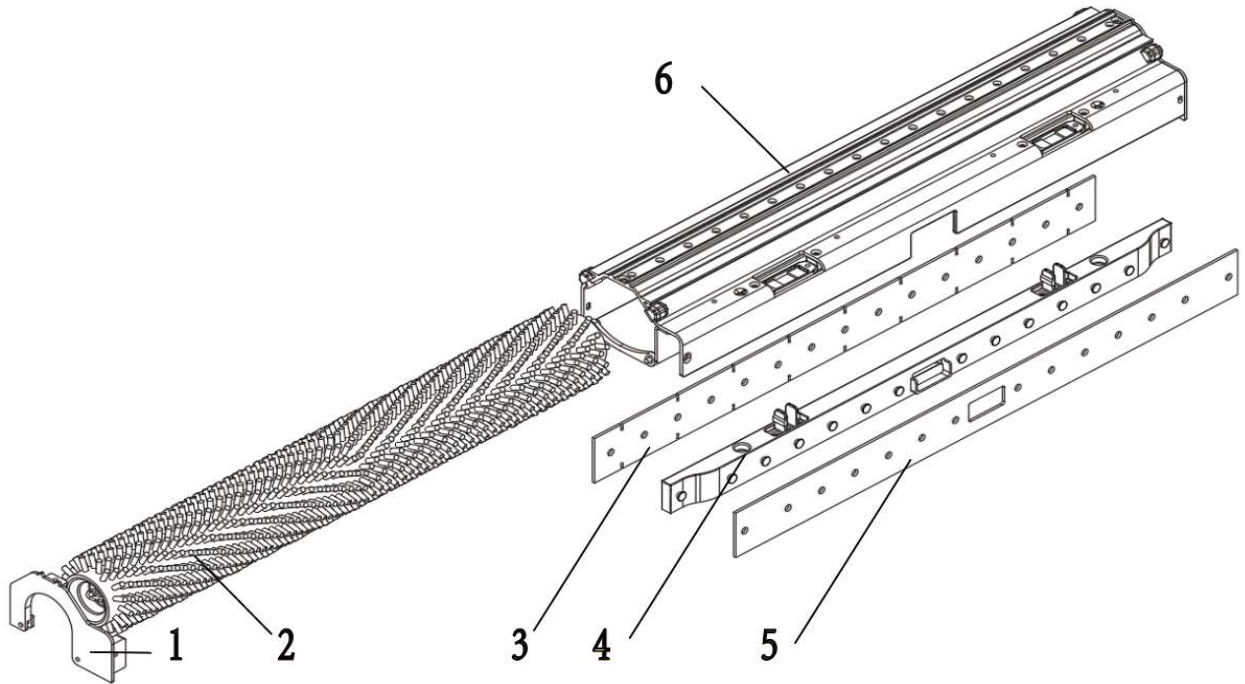
No	Part Code	Description	Quantity
1	16411012	Window Lense	1
2	13001003	TOF Sensor	1
3	17201092	Sensor Stand	1
4	11301029	Pan-Head Self-Attack Screw M3×8	3
5	11301041	Screw Set M3×8	2

Description	Part No.	Version	Date
Cleaning Robot	2210601001	1.05	03/31/2023



No	Part Code	Description	Quantity
1	3210601018	Top Assembly	1
2	3210601019	Mid Assembly	1
3	3210601007	Bottom Assembly	1

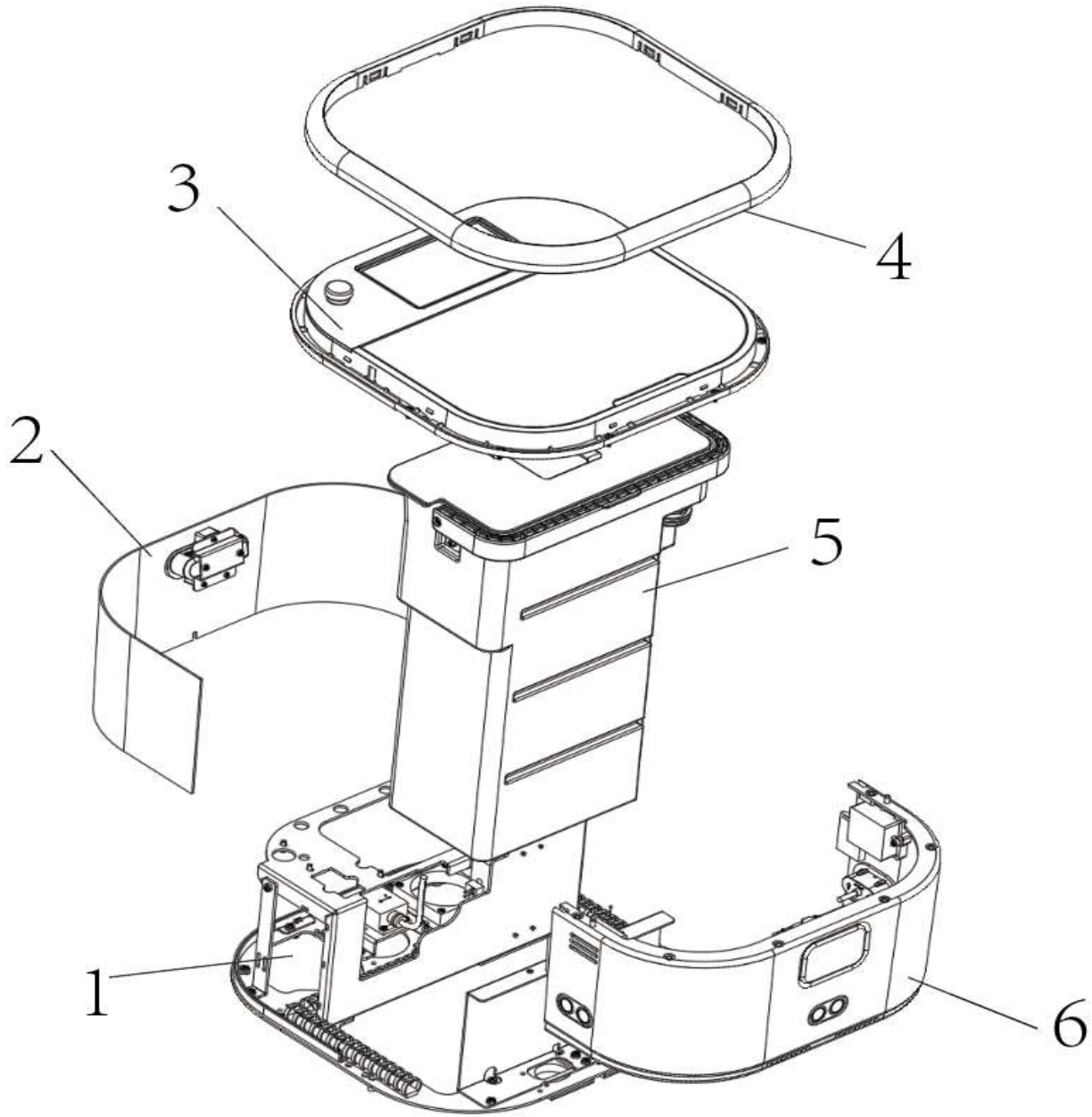
Description	Part No.	Version	Date
Scrubbing Module	3210601022	1.05	04/11/2023



Note: All parts are fixed by M3×6 screw set(with anti-loosening)

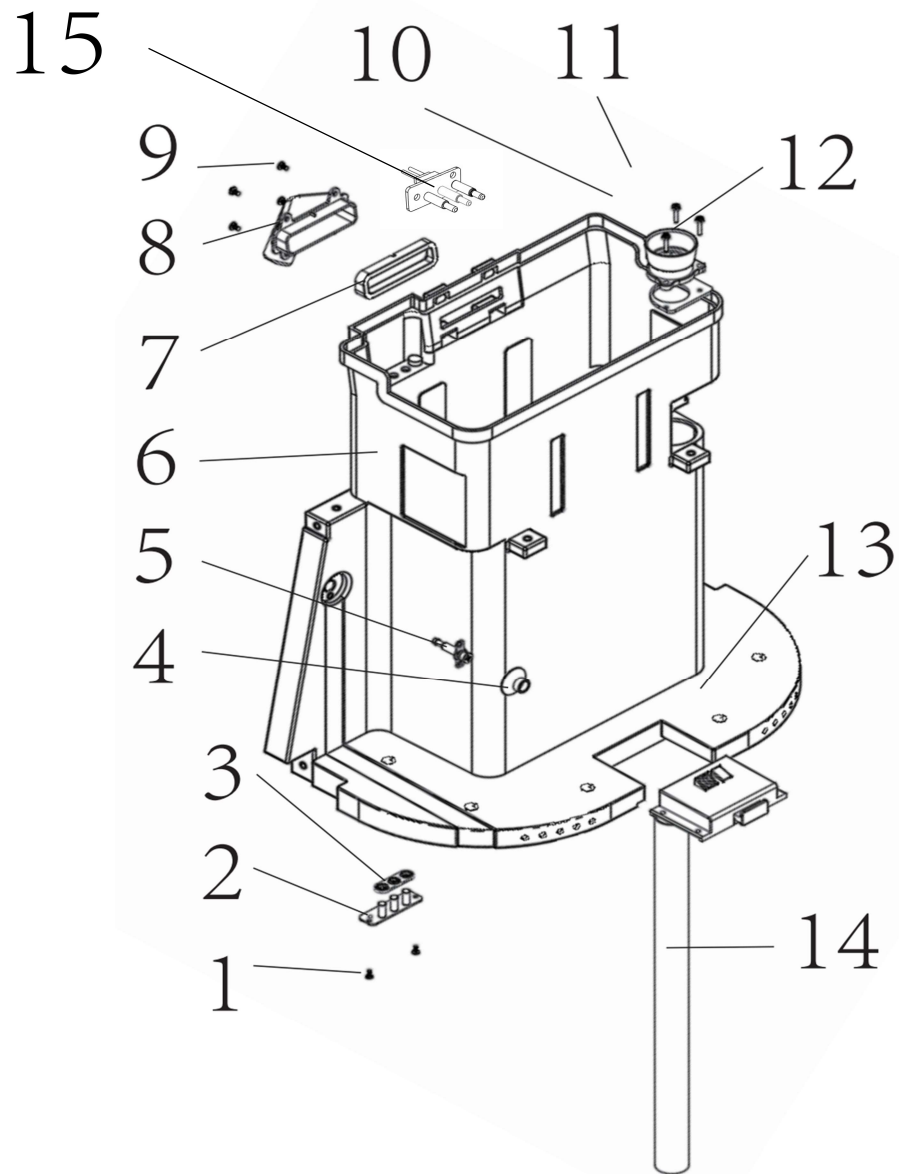
No	Part Code	Description	Quantity
1	16201030	Left Chamber Cover	1
2	16901007	Roller Brush	1
3	16601037	Front Scrubber Strip	1
4	16401096	Scrubber	1
5	16601032	Rear Scrubber Strip	1
6	3210601023	Scrubbing Module Chamber	1

Description	Part No.	Version	Date
Top Assembly	3210601018	1.05	03/31/2023



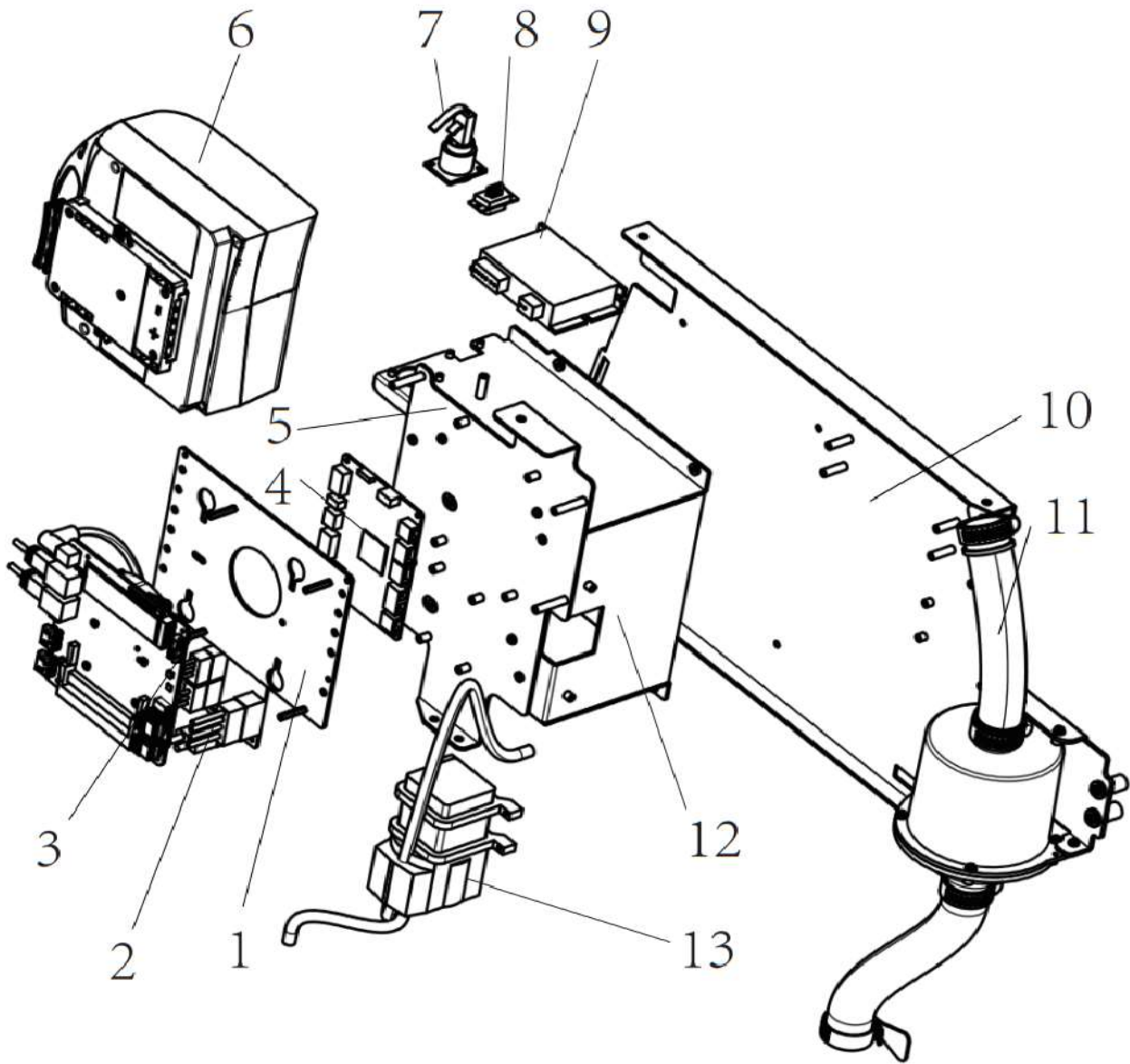
No	Part Code	Description	Quantity
1	3210601037	Upper Structure Assembly	1
2	3210601041	Window Panel Assembly	1
3	3210601015	Top Head Panel Assembly	1
4	3210601016	Light Stripe Assembly	1
5	3210601004	Waste Water Tank	1
6	3210601005	Lower Head Panel Assembly	1

Description	Part No.	Version	Date
Sleeve Chamber Assembly	3210601006	1.05	03/31/2023



No	Part Code	Description	Quantity
1	11301007	Pan-Head Screw M3×6	2
2	13701001	Waste Water Tank Connector(Copper Pillar)	1
3	16601014	Copper Pillar Waterproof Mat for Waste Water	1
4	16601028	Silicon Cover	1
5	16401016	Top Connector	1
6	16401075	Mid-Rear Cover for Sleeve Chamber	1
7	16601012	Air Duct Joint Silicone Part	1
8	16401010	Duct Adapter Connector	1
9	11301002	Pan-Head Screw M4×6	4
10	15401010	Suction Hard Pipe	1
11	11301043	Screw Set M3×16	3
12	16401086	Pipettes Upper Connector	1
13	17201057	Rigid Tube Fixing Plate	1
14	3210601021	Rear Buckle Assembly	1
15	13701004	Clean Water Tank Connector(Pins)	1+A20:A1:56

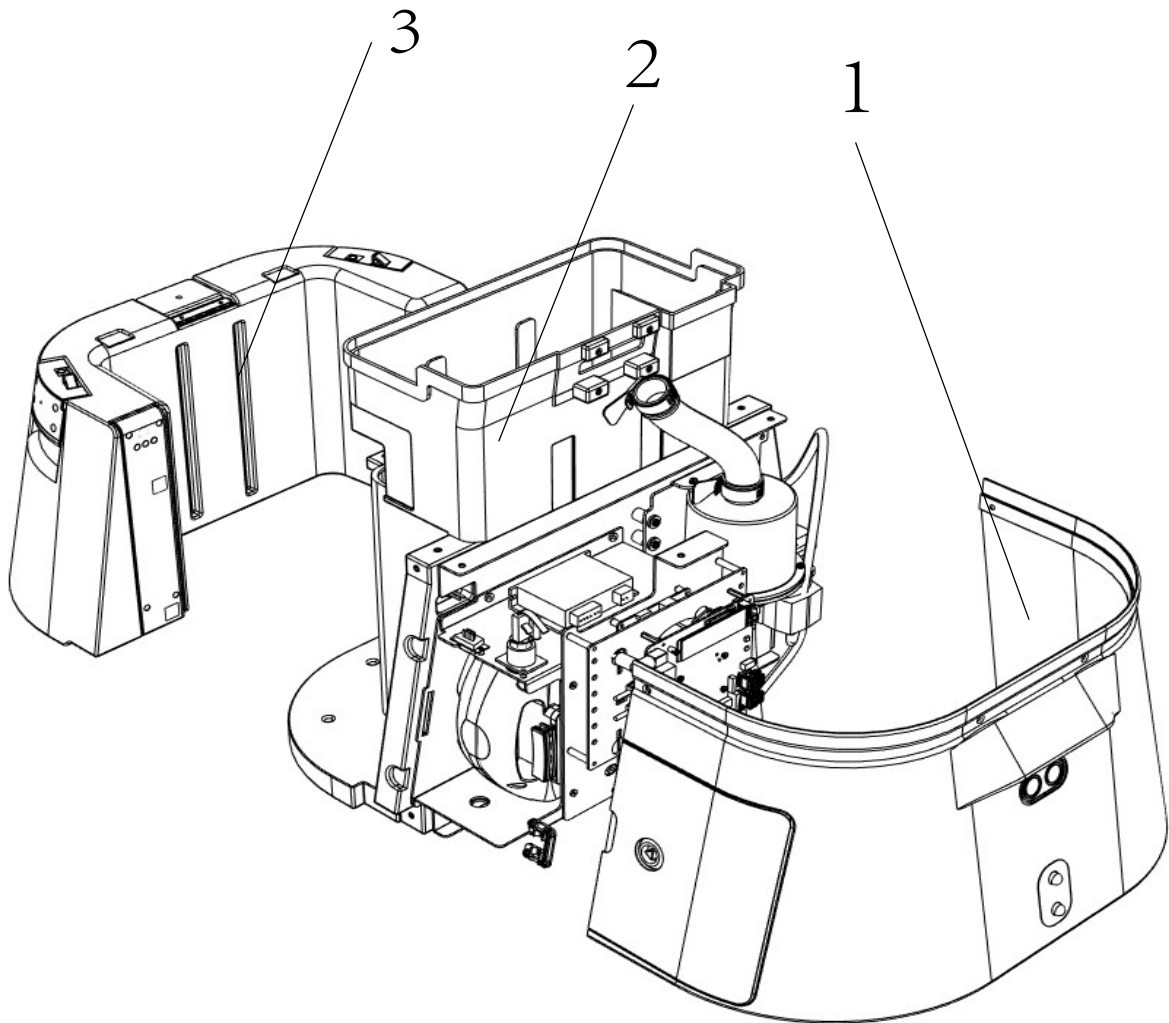
Description	Part No.	Version	Date
Battery Compartment	3210601009	1.05	03/31/2023



Note: Peristaltic Pump contains two hoses at both end.  
Screw sets will be included in individual module.

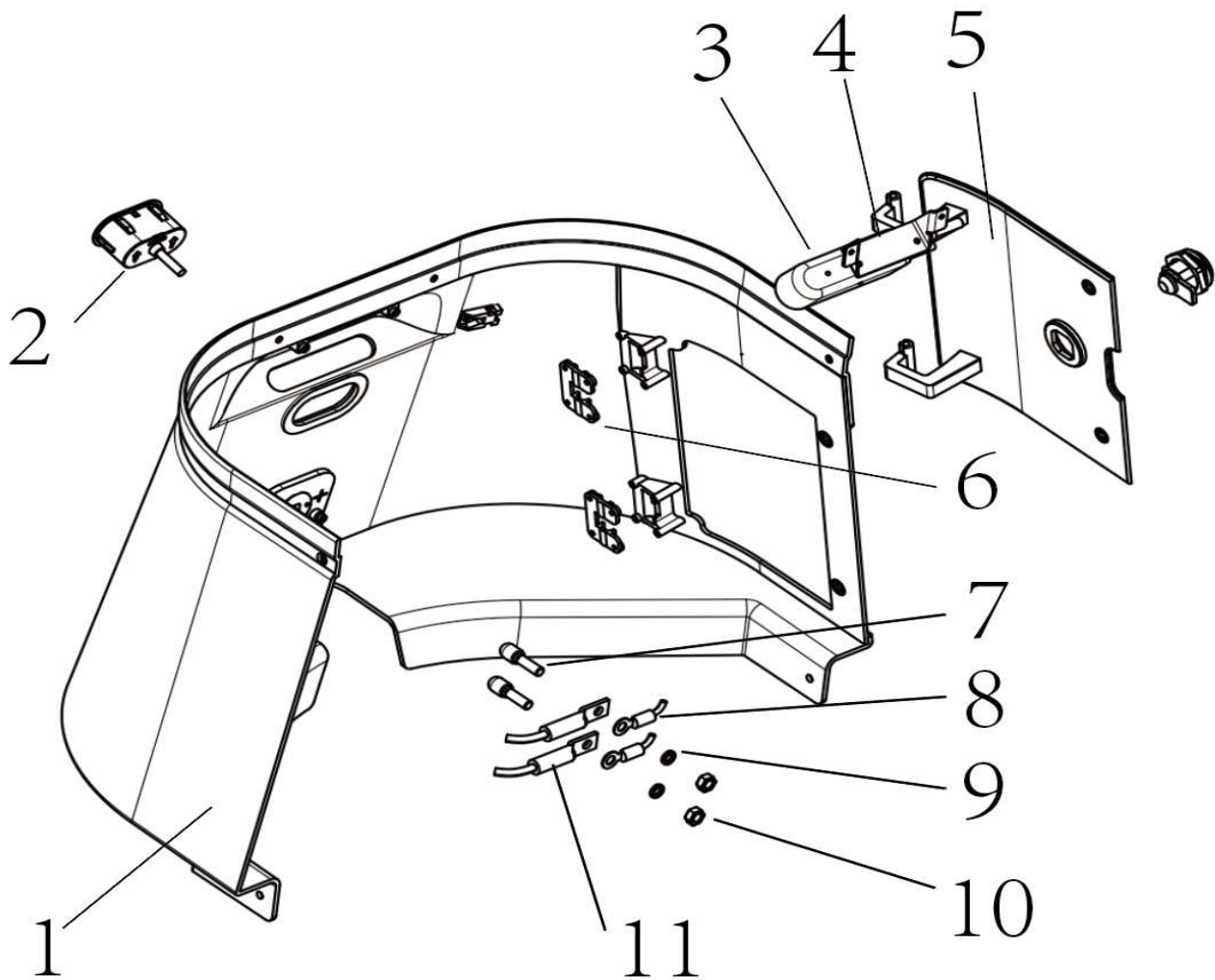
No	Part Code	Description	Quantity
1	17201089	Main Computer Stand	1
2	3210601040	Battery Cable Socket	1
3	12701013	Main Computer #5	1
4	13801011	Slave Computer	1
5	17201063	Battery Front Panel	1
6	13401002	Battery	1
7	14101002	Debug Port(for main computer)	1
8	3210601028	Debug Port(Slave Computer)	1
9	13801004	Peristaltic Pump Controller	1
10	17201061	Battery Rear Panel	1
11	3210601020	Vacuum Pump Assembly	1
12	17201062	Battery Mid Panel	1
13	3210601029	Peristaltic Pump	1

Description	Part No.	Version	Date
Mid Assembly	3210601019	1.05	03/31/2023



No	Part Code	Description	Quantity
1	3210601008	Mid Front Cover	1
2	3210601014	Main Control Assembly	1
3	3210601003	Clean Water Tank	1

Description	Part No.	Version	Date
Mid Front Assembly	3210601008	1.05	03/31/2023

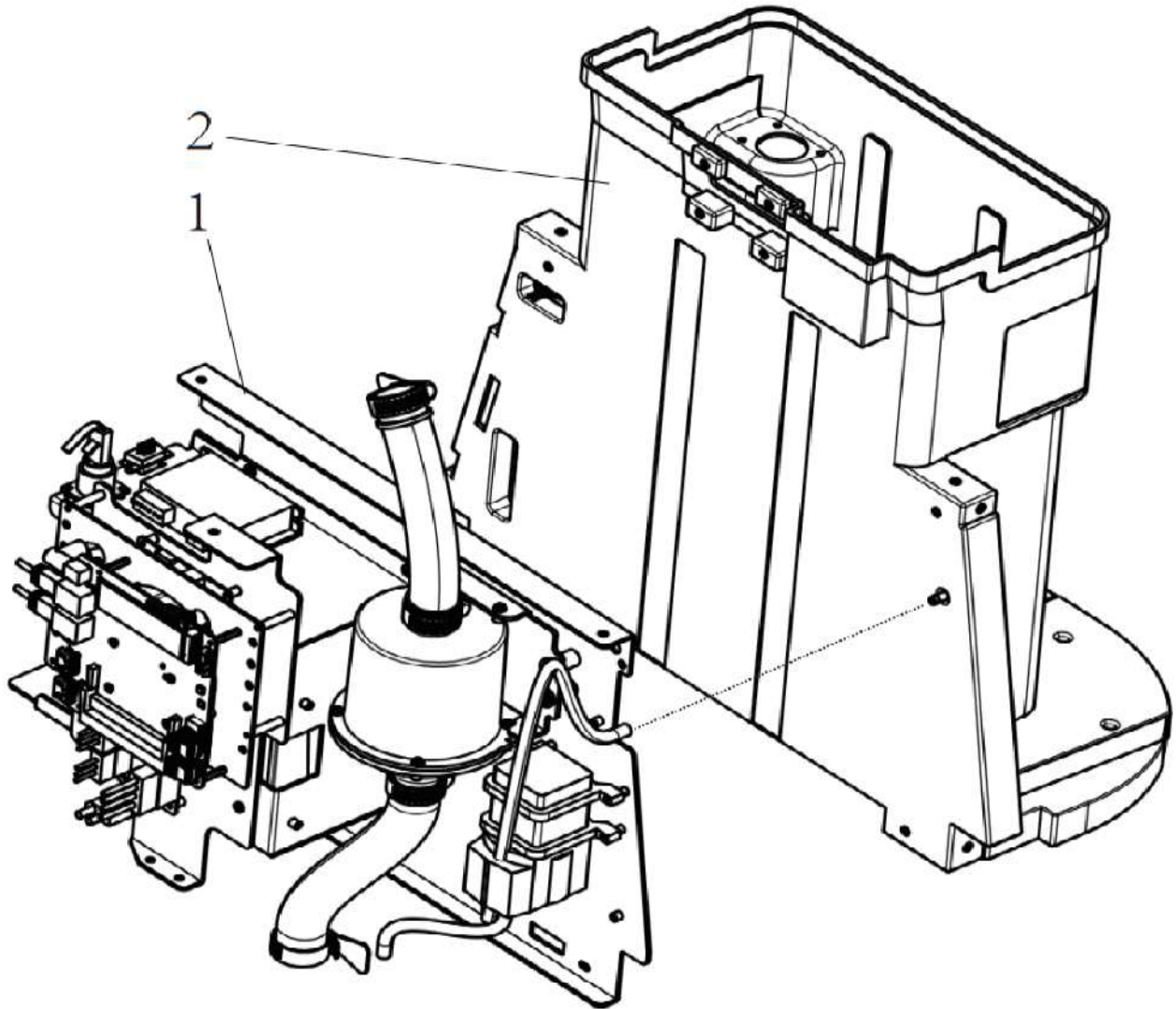


Note: Mid Front Cover contains wire buckle.  
 Battery Compartment Door contains lock.  
 Hinge Covers are fixed by 3×6 self-attack screws.  
 Camera is fixed by 3×8 screw sets.

No	Part Code	Description	Quantity
1	16401112	Mid Front Cover	1
2	19001001	Ultrasonic Sensor	1
3	13001002	TOF Sensor(Mid Front)	1
4	17201038	TOF Sensor Connector	1
5	16401111	Battery Compartment Door	1
6	16401060	Hinge Cover	2
7	16201024	Charging Connect Point	2
8	13211040	Charging Connect	2
9	11401004	φ6 Spring Washer	2
10	11201004	M6 Hex Nut	2
11	13201061	Temperature Sensor	2



Description	Part No.	Version	Date
Main Control Assembly	3210601014	1.05	03/31/2023



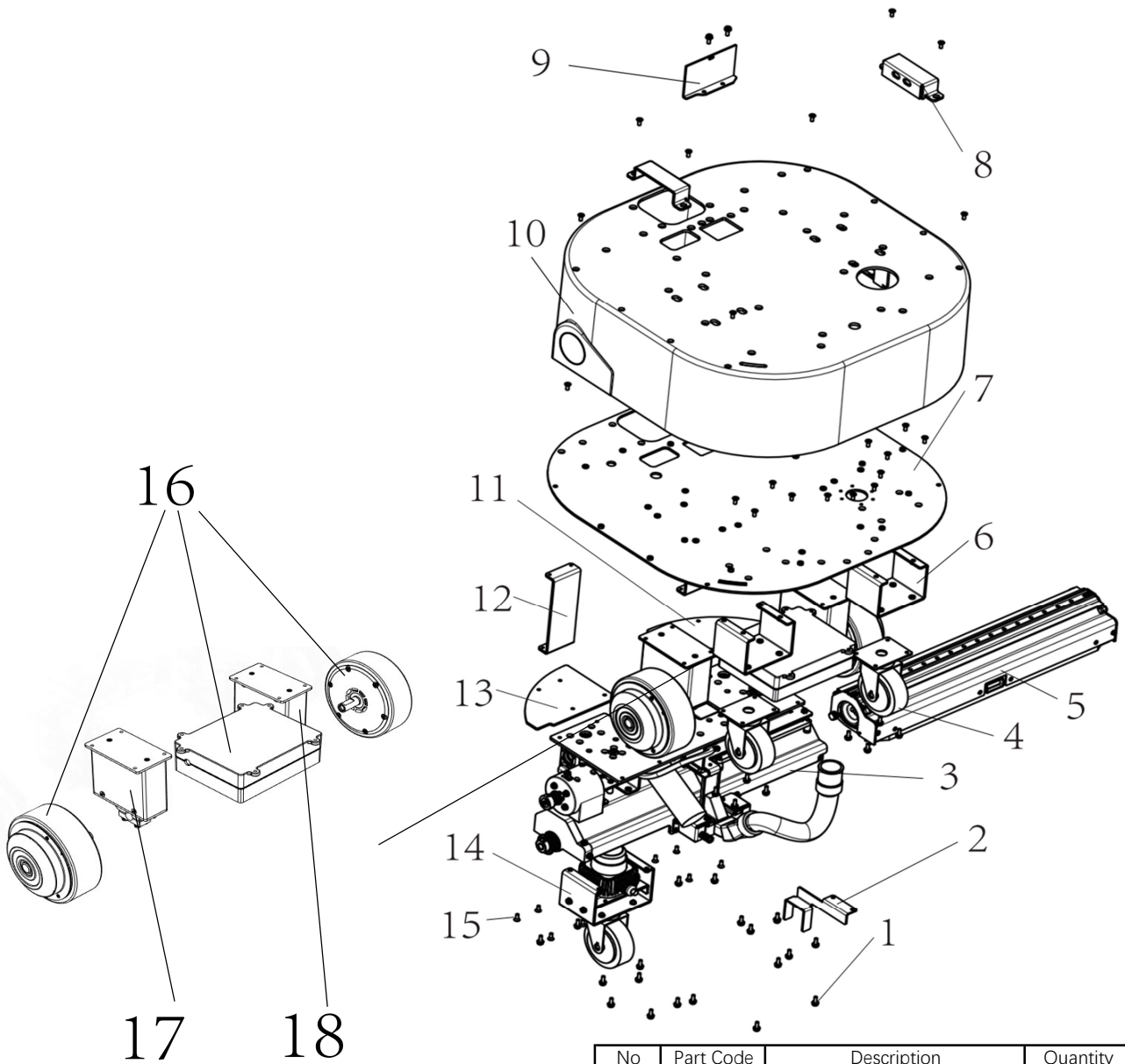
Note: To disassemble above assembly, make sure to remove hoses from connector first.

Cables attached to slave computer needs to be removed in order to avoid potential pulling damage.

Two major assembly are fixed by M4×10 screw sets.

No	Part Code	Description	Quantity
1	3210601009	Battery Compartment Assembly	1
2	3210601006	Sleeve Chamber Assembly	1

Description	Part No.	Version	Date
Bottom Assembly	3210601007	1.05	03/31/2023



Note: Both suspension assembly do not contain motor wheels, which are contained in OA Drive Assembly.

Please do not disassemble 2D LiDAR Assembly, which might cause issue in navigation system.

Cleaning Module Assembly is directly connected to Suction Hard Pipe in Sleeve Chamber Assembly.

No	Part Code	Description	Quantity
1	11301039	Screw Sets M4×12	30
2	17201056	Suction Pipe Baffle	1
3	3210601002	Cleaning Module Assembly	1
4	17601030	Caster Wheel	2
5	3210601022	Scrubbing Module	1
6	17201012	Rear Caster Wheel Stand	2
7	17201010	Base Structure	1
8	17201006	Handle	2
9	17201032	Block Board	1
10	16401035	Base Cover	1
11	17201034	Left Front Base Board	1
12	17201035	Right Front Base Board	1
13	17201033	Base Stand	2
14	3220401012	2D LiDAR Assembly	1
15	11301017	Countersunk Screw M4×10(with anti-loosening)	36
16	3210601035	OA Drive Assembly	1
17	3210601039	Right Suspension Assembly	1
18	3210601036	Left Suspension Assembly	1