

SAFE-T-IMOP

Auto scrubber for cleanrooms

User manual

Class 5/6 and class 7/8



i-team Professional b.v.
Hoppenkuil 27b, 5626 DD Eindhoven, The Netherlands
Telephone: +31402662400
Email: hello@i-teamglobal.com
Internet: www.i-teamglobal.com





Original user manual, written in the English Language

Future Cleaning Technologies B.V.

Hoppenkuil 27b, 5626 DD Eindhoven, The Netherlands

Telephone: +31402662400

Email: hello@i-teamglobal.com

Internet: www.i-teamglobal.com

Model: SAFE-T-IMOP

Date: 14/08/24

Product code:

Version: v.1.1

Model year: 2024



FASTER:

Cleans 10 times faster than conventional wet mopping, backed-up by cleaning capacity of up to 1800 m² per hour.



CLEANER:

Powerful twin counter-rotating 350 RPM brushes for soil removal validated by ATP test data, reflecting up to 90% cleaner surfaces.



GREENER:

Makes every ounce of chemical and every drop of water count. Proven to reduce environmental impact by over 75%.



SAFER:

Floors that dry almost instantly reduce slip and fall hazards, validated by standardized slip test readings of 120 or less. The antibacterial tanks on the i-mop[®] reduces the odors coming from the recovery tank and protects operators who handle the tanks every day. Bacterial reduction in contact with the tank wall has been certified and tested at $\geq 99.99\%$ efficacy.



BETTER FOR EVERYONE:

Changes the experience of cleaning and brings energy, pride and positive morale to the facility... not to mention a cleaner and healthier environment.



Preface

Thank you for choosing the SAFE-T-IMOP, the auto scrubber that cleans faster, cleaner, safer, greener, and is better for everyone. The SAFE-T-IMOP's compact design allows you to clean right to the edge and under obstacles, minimizing manual scrubbing. The battery operated SAFE-T-IMOP is equipped with two counter-rotating brushes that provide a deep scrub and a great cleaning result. The SAFE-T-IMOP significantly reduces the amount of water and chemicals needed which leads to a greener result. It also reduces the risk of slippery floors.

Antibacterial tanks

The tanks on the i-mop use an antibacterial mix-in to make the plastic safer from the inside and outside. Because it is mixed into the plastic, the effect lasts the lifetime of the tank. The reduction of bacteria reduces the odors coming from the recovery tank and protects operators who handle the tank every day. Bacterial reduction in contact with the tank wall has been certified and tested at $\geq 99.99\%$ efficacy.

Drive and park support

Drive support allows the operator to use the i-mop with up to 2,75 kg less weight on the handle for easier turning and mopping. You can adjust the handle to 2 different heights so it can be used by people of varying postures. Use your foot to engage and disengage drive support and get going.

Park support allows you to park the i-mop in a standing position for 10 minutes without lifting the deck. Simply engage or disengage with your foot.

Please read this manual carefully for important information and operating instructions before using the SAFE-T-IMOP. Save this manual for future reference. This SAFE-T-IMOP will provide excellent performance. The best results are obtained when the SAFE-T-IMOP is:

- Regularly maintained per the SAFE-T-IMOP preventive maintenance instructions in this manual.
- Operated with reasonable care and caution.
- Maintained with manufacturer-supplied parts.

When this manual refers to “the manufacturer”, this means **Future Cleaning Technologies B.V.**, an affiliate company of i-team in Eindhoven, the Netherlands. When this manual mentions “the partner”, this refers to your local i-team resell and support service partner.



Purpose of the user manual

The purpose of the user manual is to provide the user with information in such a way that during the life of the SAFE-T-IMOP, the machine is used correctly, efficiently and safely, even in the event of reasonably foreseeable misuse, as described in section 1.2 of this manual.

The user manual contains instructions regarding:

- Personal operator safety
- Intended and non-intended use of the SAFE-T-IMOP
- Instructions for daily use
- Maintenance instructions
- Storage conditions
- Disposal of the SAFE-T-IMOP

These instructions must be considered to avoid risks that could lead to physical and/or material damage.

Target audience

This user manual is intended for operators of the SAFE-T-IMOP and their supervisors, as well as partners and importers.


Operators of the SAFE-T-IMOP

The SAFE-T-IMOP may only be operated by a person who has correctly read and understood the instructions in this manual or is trained by an experienced operator who has read and understood the instructions in this manual.



Reading guide

The following symbols and terms are used throughout this manual to alert the reader to safety issues and important information:

Symbol	Term	Explanation
	WARNING	Indicates a hazardous situation which, if the safety instructions are not followed, can lead to injuries of the operator or bystanders and light or moderate damage to the product or the environment.
	CAUTION	Indicates a hazardous situation which, if the safety instructions are not followed, can lead to light and / or moderate damage to the product or the environment.
	ATTENTION	Indicates a liability situation, where the manufacturer or its partners and affiliates cannot be held accountable for damages caused by non-compliance.
	STRONG MAGNET	Indicates that the machine contains strong magnets. These can cause pacemakers to stop working or cause electronic data to be damaged, such as information stored on access passes.
	PACEMAKER	Indicates that operators and maintenance crew wearing pacemakers should keep a minimal distance of 6 in / 15 cm. In this specific case operators may not use the machine as a backpack.
	BATTERIES	Indicates a battery-operated machine, batteries must be charged according to the instructions in the separate class I battery charger user manual. Batteries must be disposed of according to your local laws and regulations.
	SLIPPERY SURFACE	Indicates that the machine can cause floors to become slippery. In the workplace, it is advised to place slippery surface signs in these areas.



Contents

Preface.....	4
Purpose of the user manual.....	5
Target audience	5
Operators of the SAFE-T-IMOP	5
Reading guide.....	6
1 Introduction.....	10
1.1 Intended use of the product	10
1.2 Non-intended use of the product.....	11
1.3 Lifespan	11
1.4 Modifications	12
1.5 Brushless motor	12
1.6 Specifications	12
1.7 Warranty.....	13
1.8 Identification	13
1.9 QR-code.....	13
2 Description.....	14
3 Safety	15
3.1 General safety instructions	15
3.1.1 Sweep before scrub	15
3.1.2 Brush condition	15
3.1.3 Machine orientation.....	15
3.1.4 Antibacterial tanks	15
3.1.5 Strong magnets.....	15
3.1.6 Batteries.....	16
3.2 Risks during operation.....	16
3.2.1 Dress safely	16
3.2.2 Mark the job site.....	16
3.2.3 Careful when parking.....	16
3.2.4 Careful using drive support	16
3.3 Risks after operation	17
3.3.1 Remove battery packs.....	17
3.3.2 Machine orientation	17
3.3.3 Careful when storing.....	17
4 Transport and storage.....	18
4.1 General.....	18
4.2 Store position	18



4.3	Transport outside	19
4.4	Transport in a vehicle	20
5	Assembly and installation	21
5.1	Unboxing.....	21
5.2	Assembly	22
5.2.1	Charging the batteries.....	22
5.2.2	Attaching the brushes	22
5.2.3	Attaching the squeegee.....	23
5.2.4	Installing the recovery tank.....	23
5.2.5	Installing the cleaning solution tank.....	24
5.2.6	Attaching the cellphone holder.....	24
5.2.7	Using the USB Port	25
6	Operation.....	26
6.1	Before you start.....	26
6.1.1	The i-power 10S battery.....	26
6.1.2	Inserting the batteries.....	26
6.1.3	Serial plate.....	27
6.2	Operation procedure	27
6.2.1	Walking to the job site	27
6.2.2	At the job site	28
6.2.3	Drive support.....	31
6.2.4	Easy lift kit	31
6.2.5	ECO mode	32
6.2.6	Angle warning indicator	33
6.2.7	Turning off the SAFE-T-IMOP	34
6.2.8	Emptying tanks.....	34
6.3	Cleaning and storage	35
6.3.1	Flushing the system	35
6.3.2	Cleaning the tanks	35
6.3.3	Cleaning the filter	36
6.3.4	Removing battery packs.....	38
6.3.5	Checking the brushes and squeegee	38
6.3.6	Store in an upright position	38
7	Maintenance.....	39
7.1	Brush replacement.....	39
7.2	Squeegee replacement.....	40
7.2.1	Detaching the squeegee.....	40
7.2.2	Replacing the squeegee blade.....	40
7.2.3	Attaching the squeegee.....	41
7.3	Replacing the vacuum hose	42
7.4	Replacing the wheels.....	42
7.5	Motor filter	43



7.5.1	Removing and replacing the motor filter	43
7.6	Replacing the splash guards	44
7.7	Recommended additional cleaning	44
7.8	Recommended service time	44
7.9	Accessories	44
7.10	ISO Classes	44
7.10.1	ISO Class Standards Chart for Reference	45
7.10.2	Independent Laboratory Test Results for Airborne Particle Concentration	45
8	Troubleshooting	46
9	Decommissioning and disposal	47
10	Attachments	48
10.1	CE Certificate	48
10.2	SGS Certificate of Conformity	49
	The i-Story	50



1 Introduction

The SAFE-T-IMOP is a safe, user-friendly machine. This manual helps you to get started and explains the operation and maintenance procedure. You will be pleasantly surprised by the fast and effective use of the battery operated SAFE-T-IMOP. The batteries used in the SAFE-T-IMOP are the same as the ones in a variety of battery powered i-team products. The batteries must be fully charged before use. Please see the user manual of the class I battery charger for correct procedure.

This manual is intended for those who work with the SAFE-T-IMOP and / or perform daily maintenance. The manual must be read fully before the first actions. This manual describes the correct method of use, safety measures, maintenance and transport.

The manufacturer continuously improves all their products based on user experience and feedback. Any deviations between the texts and / or images from the manual and your SAFE-T-IMOP can therefore arise from the difference in model or from possible changes due to continuous development and innovation.

1.1 Intended use of the product

The SAFE-T-IMOP is a specialized machine for scrubbing floor surfaces in cleanroom environments.



Figure 1



1.2 Non-intended use of the product



WARNING

Non-intended use can have consequences for the safety of operators and bystanders and will void the warranty on the product.

- **NEVER** operate the SAFE-T-IMOP near flammable dusts, liquids or vapors.
- **NEVER** operate the SAFE-T-IMOP when flammable or poisonous liquids like gasoline, oil, acids, or other volatile substances are on the floor.
- **DO NOT** fill the SAFE-T-IMOP with any flammable detergent. **ONLY** use the water-based cleaning solutions.
- **DO NOT** use water that exceeds 113°F / 45°C. Using water warmer than this temperature will void the tank warranty.
- **DO NOT** use cleaning solutions with a pH level below 3 or above 11 in order to prevent damage to sensitive components.
- **DO NOT** use the SAFE-T-IMOP outdoors or on uneven surfaces.
- **DO NOT** operate this SAFE-T-IMOP over electrical floor outlets in order to avoid electrical shock.
- **NO RIDERS!** Do not carry passengers on top of the SAFE-T-IMOP.
- **DO NOT** use the SAFE-T-IMOP as stepladder or platform.
- **DO NOT** store the SAFE-T-IMOP outside in order to avoid damage to electronic components.
- **ONLY** use manufacturer-supplied parts for maintenance.
- **KEEP AWAY** from children! The SAFE-T-IMOP is a professional cleaning machine to be used by trained adults only.
- **DO NOT** use the SAFE-T-IMOP in an autoclave
- **DO NOT** on open bottom, ventilated floors.

1.3 Lifespan

Each SAFE-T-IMOP is guaranteed to operate for at least 2000 hours (two thousand hours). The wear on brushes and squeegee heavily depends on the roughness of the surface. They need to be checked regularly.



CAUTION

To ensure proper and safe operation throughout the life of the SAFE-T-IMOP, the machine must be checked by an authorized i-team partner every 500 hours.



1.4 Modifications

It is not permitted to make modifications to the design of the SAFE-T-IMOP without consultation and permission from the manufacturer. This affects the warranty, see section 0 of this manual.

1.5 Brushless motor

Each SAFE-T-IMOP is equipped with a brushless motor. Due to this innovation the usage time of the SAFE-T-IMOP is increased with 20%. But also has the (carbon) emission of the SAFE-T-IMOP has been reduced to zero!

1.6 Specifications

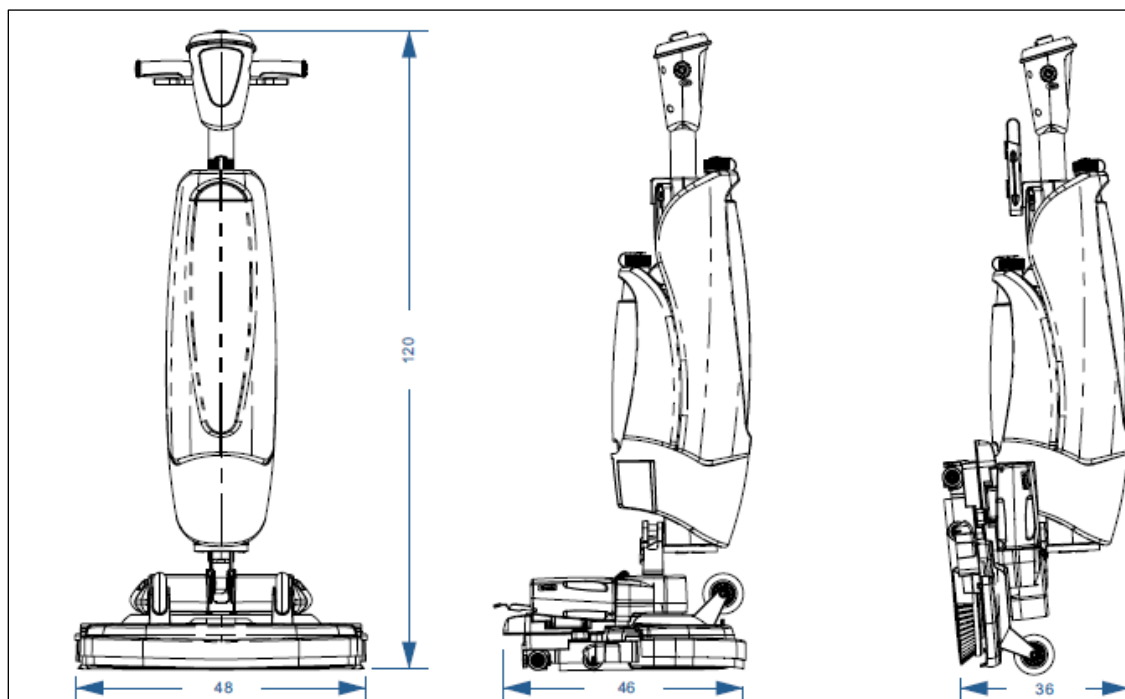


Figure 2

Product size:	120 x 48 x 46 cm
Product size in store position:	120 x 48 x 36 cm
Weight (including batteries):	22.5 kg
Li-on battery:	DC (25.2V, 14Ah, 353Wh)
Battery capacity:	2 batteries
Operation time of batteries:	100 min (i-power 9)/150 min. (i-power 14)
Brush pressure:	31.5 gr / cm ²
Brush speed:	350 RPM
Detergent tank capacity:	4 L
Recovery tank capacity:	6 L / 4 L recommended max
Vibration:	Amplitude (mm): <0.4442 Velocity (m/s): <0.008 Acceleration (m/s ²): 0.943



Noise level (1m):	64.0 dB (LOW) 68 dB (HIGH)
Theoretical performance:	Up to 1800 m ² per hour
Practical performance:	1000 - 1300 m ² per hour
Castor wheels:	YES
Power cut off at store position:	YES
Angle power cut off:	YES < 32°
Floating ball for recovery tank:	YES
Hour counter:	YES through i-link®

1.7 Warranty

The SAFE-T-IMOP should be used as intended and described in this manual. Using the SAFE-T-IMOP outside will void the warranty on the product.

1.8 Identification

The ID tag, containing a serial number and production number, can be found on the bar behind the wastewater tank.

- Serial number (Figure 3Error! Reference source not found., pos. 1).
- Production day (Error! Reference source not found.Figure 3, pos. 2).
- Production year (Figure 3Error! Reference source not found., pos. 3).

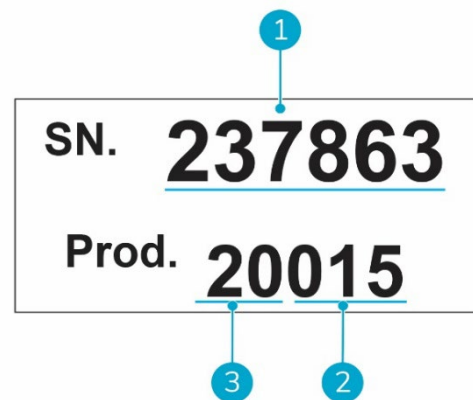


Figure 3

1.9 QR-code

A QR-code, can be found at the top of the handle, Figure 4. When scanning the QR-code a video will be opened on your device, showing how to use the SAFE-T-IMOP.

See manual i-link® for further instructions.



Figure 4



2 Description

The compact SAFE-T-IMOP consists of two main parts:

- The body that contains the motor, cleaning solution tank, recovery tanks, handle with triggers and control panel.
- The scrub deck that contains the brushes and squeegee.

The SAFE-T-IMOP can be folded into a store position; this is recommended for storage.

The SAFE-T-IMOP consists of:

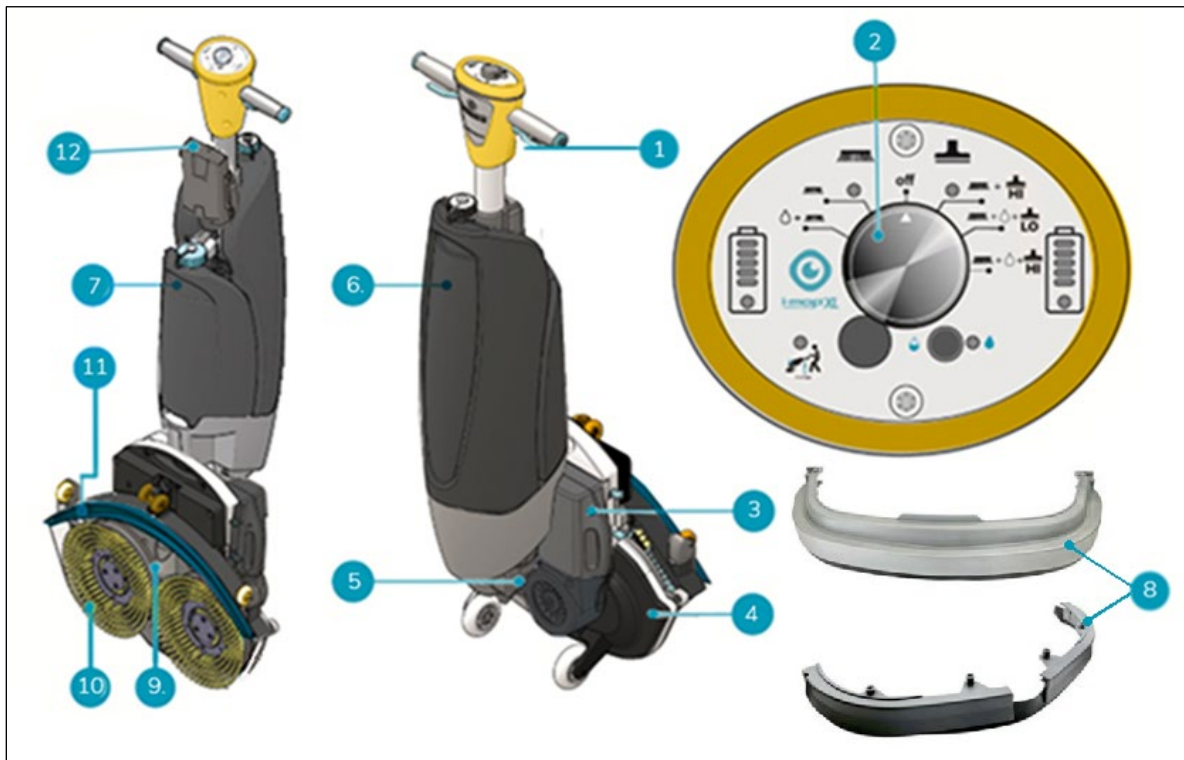


Figure 5

Legend

- | | |
|------------------|----------------------------------------------|
| 1. Trigger | 7. Solution tank |
| 2. Control panel | 8. Front and middle splash guard |
| 3. Batteries | 9. Vacuum hose |
| 4. Scrub deck | 10. Rotating brushes |
| 5. Drive support | 11. Squeegee |
| 6. Recovery tank | 12. Cellphone holder and i-link® transmitter |



3 Safety

Safety comes first. Therefore, please take your time to read and understand these safety instructions. Improper use can cause harm or void the manufacturer's warranty.

3.1 General safety instructions

3.1.1 Sweep before scrub

Remove objects from the floor that can be propelled by the rotating brushes.

3.1.2 Brush condition

Make sure to check the condition of the brush before use. Change the brush only when the machine is turned off and in a store position.

3.1.3 Machine orientation

Always keep the body of the SAFE-T-IMOP in an upright position when inserting cleaning fluid or batteries.

3.1.4 Antibacterial tanks

Always keep the antibacterial tanks of the i-mop out of direct sunlight. This can cause discoloration.

3.1.5 Strong magnets



CAUTION

Please be aware of the integrated magnets that hold the fluid tanks in place.



WARNING

Operators and maintenance crew wearing pacemakers should keep a minimal distance of 6 in/15 cm.



3.1.6 Batteries

Always use the automatic battery charger provided by the manufacturer.

CAUTION

During normal operation, the 24V batteries cause no safety hazard on their own. Please adhere to the following safety instructions regarding the batteries:



- DO NOT crush, pierce or damage in any way.
- DO NOT heat or incinerate.
- DO NOT short-circuit.
- DO NOT dismantle.
- Keep dry.
- Only charge between 5 °C~40 °C / 41 °F~104 °F.
- Only use between 5 °C~45 °C / 41 °F~113 °F.

3.2 Risks during operation

3.2.1 Dress safely

Do not wear a necktie, scarf, or any loose or dangling clothing or jewelry while operating the SAFE-T-IMOP. These can tangle in rotating parts, causing serious injury or death.

3.2.2 Mark the job site

The SAFE-T-IMOP is designed to leave a dry floor without slippery patches, no additional drying is required. When running the SAFE-T-IMOP with the vacuum function OFF please mark the job site with a wet floor marker.

CAUTION



Marking the jobsite with a wet floor marker is not required when using the vacuum function of the SAFE-T-IMOP, unless this is a mandatory work safety requirement by local law. When unsure mark the job site to warn passersby.

3.2.3 Careful when parking

Do not park the SAFE-T-IMOP on ramps or slopes. Always park the SAFE-T-IMOP on a level, hard surface. Do not park the SAFE-T-IMOP using the drive support **ONLY**, the device may fall sideways. The SAFE-T-IMOP should only be parked either with the park support or by lifting the deck into store position.

3.2.4 Careful using drive support

Do not park the SAFE-T-IMOP using the drive support, the device may fall sideways.



CAUTION

Ensure the ESD lead is placed 90° to the floor before operation.



3.3 Risks after operation

3.3.1 Remove battery packs

It is best practice to remove the batteries before executing any cleaning or maintenance task, or before storage.

3.3.2 Machine orientation

Always keep the body of the SAFE-T-IMOP in an upright (store) position, see section 4.2, when replacing brushes or squeegee.

3.3.3 Careful when storing

Do not store the SAFE-T-IMOP on ramps or slopes. Always store the SAFE-T-IMOP on a level, hard surface. Do not store the SAFE-T-IMOP in park position.



CAUTION

Disinfect properly without using heat or submersion methods.



4 Transport and storage

4.1 General

Before storage or transport, drain the machine and remove the batteries after each use.



CAUTION

Always keep the body of the SAFE-T-IMOP in an upright position when filling the cleaning solution tank or inserting the batteries.

4.2 Store position



CAUTION

Do not put the SAFE-T-IMOP in store position while the drive support system is engaged.

Remove the splashguard.

The store position is the upright vertical position for storage and maintenance tasks.

The store position will disable the power to the machine. (The first 3 minutes there is no disabled power to the machine in parking position, for service and maintenance purpose).

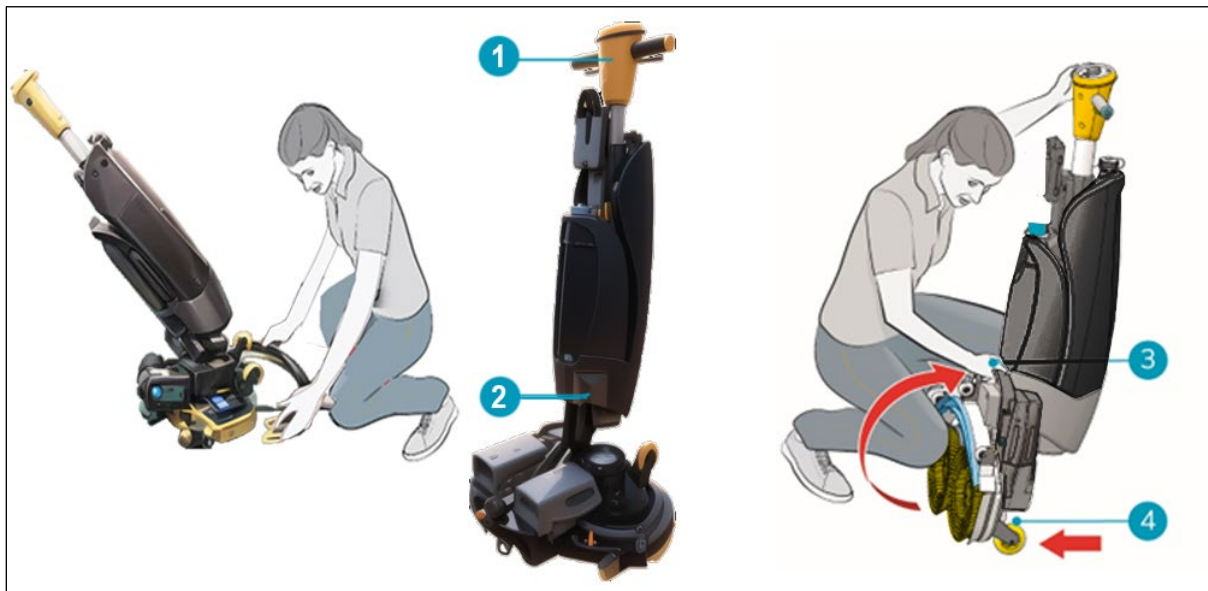


Figure 6

1. Make sure the vacuum hose (Figure 6, pos 2) is pushed back into the machine so it cannot get squeezed.
2. Crouch down and hold the handle (Figure 6, pos 1) with one hand while holding the scrub deck (Figure 6, pos 3) with your other hand.
3. Lift the scrub deck slowly until it stands upright on the front wheels (Figure 6, pos 4). Guide the body towards the scrub deck until it snaps into a resting position.



4.3 Transport outside

When outside:

1. Put the SAFE-T-IMOP in store position, see section 4.2.
2. Carry the SAFE-T-IMOP with one hand while holding the handle (Figure 7, pos 1) with your other hand. (Figure 7, pos 2).

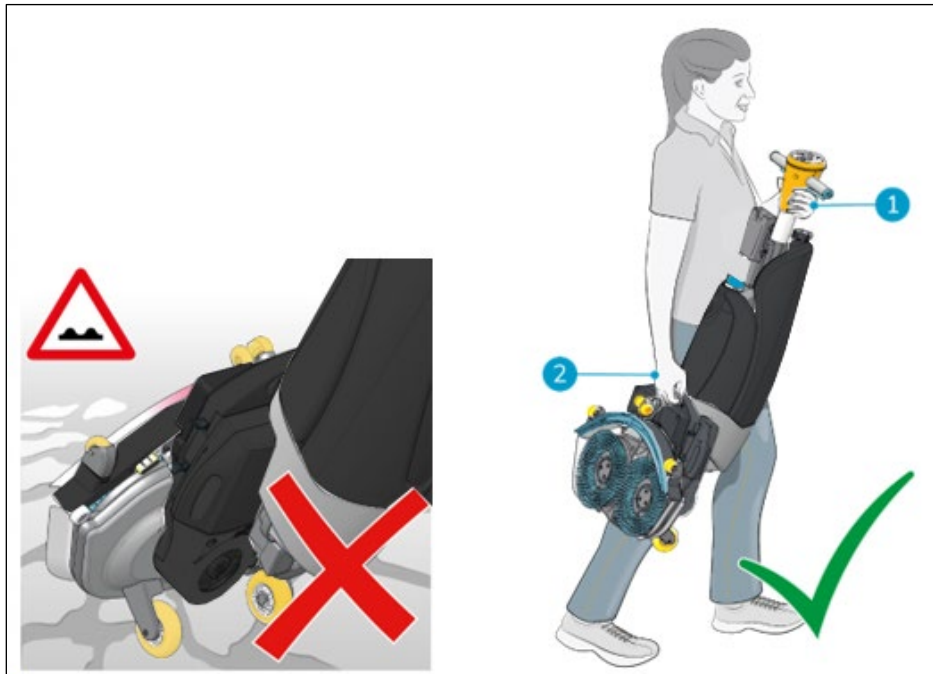


Figure 7

CAUTION



The transport wheels are not designed to roll over dirty surfaces, sand can cause the wheels to block. Lift the SAFE-T-IMOP while moving from one building to another.



4.4 Transport in a vehicle

The preferred way to transport your SAFE-T-IMOP is in an upright position and safely secured.

1. Make sure both tanks are empty.
2. Put the SAFE-T-IMOP in store position, see section 4.2.
3. Remove the batteries.
4. Lift the SAFE-T-IMOP into the vehicle.
5. Secure the i-mop using a tension belt or another appropriate restraint (Figure 8, pos 1).

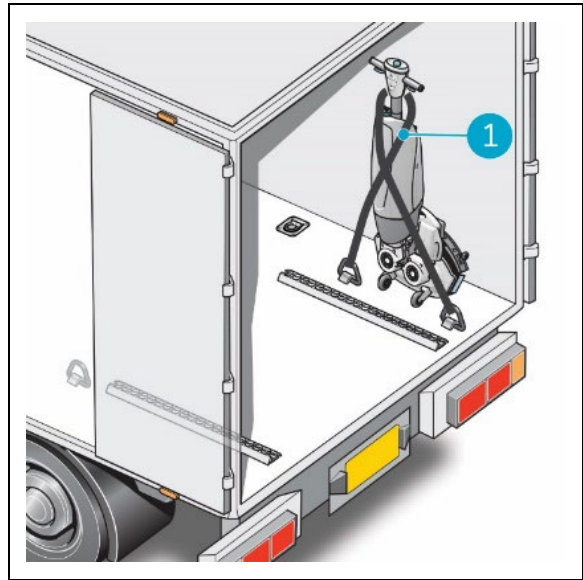


Figure 8

TIP

The i-stand wall mount accessory can be installed in the back of a truck. It allows you to secure the i-mop® and transport the i-mop in an upright position. Please contact our sales department for more information.

The SAFE-T-IMOP is a compact machine and fits in the trunk of your car. Before loading the SAFE-T-IMOP into your vehicle, make sure both tanks and battery packs are removed.

1. Put the SAFE-T-IMOP in store position, see section 4.2.
2. Remove the batteries and both tanks and pack them separately for transport.
3. Lift the SAFE-T-IMOP into your vehicle. Don't forget the tanks and batteries.
4. Prevent the SAFE-T-IMOP from moving around during transport by using a tension belt or another appropriate restraint.

CAUTION



The seal of the solution and recovery tank can be damaged during transport in horizontal position. Make sure you remove the tanks before loading the machine into your car. **Improper use will void the warranty.**



5 Assembly and installation

The SAFE-T-IMOP does not require much assembly. Most importantly, you will have to attach the brushes and squeegee.

5.1 Unboxing

The SAFE-T-IMOP is packed in a single box.

The battery and charger are delivered in a separate box and can be ordered separately.



Figure 9

Legend

- | | |
|--------------------------------------------------|-----------------------------------------------------|
| 1. 1x SAFE-T-IMOP main body | 7. 1x squeegee assembly |
| 2. 1x power cord (when ordered) | 8. 1x cleaning solution tank |
| 3. 1x battery charger manual (when ordered) | 9. 1x recovery tank |
| 4. 1x battery charger I-CHARGE 2S (when ordered) | 10. 1x this manual |
| 5. 2x batteries I-POWER 10S (when ordered) | 11. 1x cellphone holder |
| 6. 2x brushes | 12. 1x front and middle splash guard (when ordered) |
| | 13. 1x water tank strap (when ordered) |



5.2 Assembly

5.2.1 Charging the batteries

Charge the batteries according to the instructions in the battery charger manual. Make sure the battery packs are charged regularly.

5.2.2 Attaching the brushes

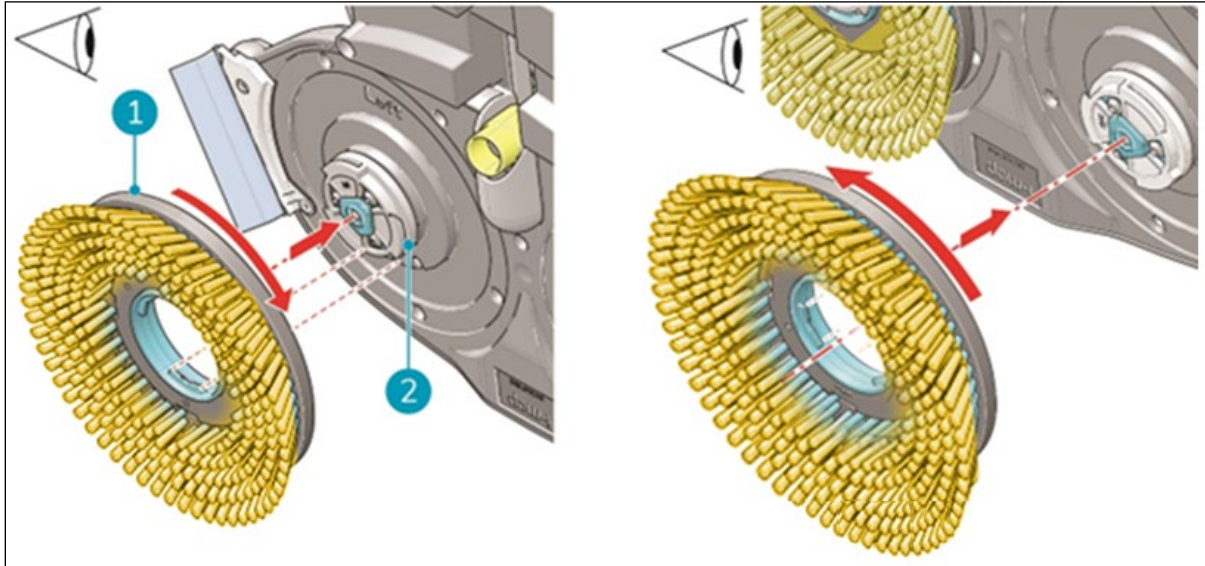


Figure 10

To attach the brushes:

1. Put the SAFE-T-IMOP in store position, see section 4.2.
2. Hold the scrub deck firmly with one hand.
3. Align the left brush (Figure 10, pos 1) with the left motor disk.
4. Push the brush on the motor disk.
5. Turn the left brush clockwise until you see the motor disk turning. The brush is now in place.
6. Align the right brush with the right motor disk. Align the latches and cut-outs in the brush and motor disk.
7. Push the brush on the motor disk.
8. Turn the right brush anticlockwise until you see the motor disk turning. The brush is now in place.



5.2.3 Attaching the squeegee

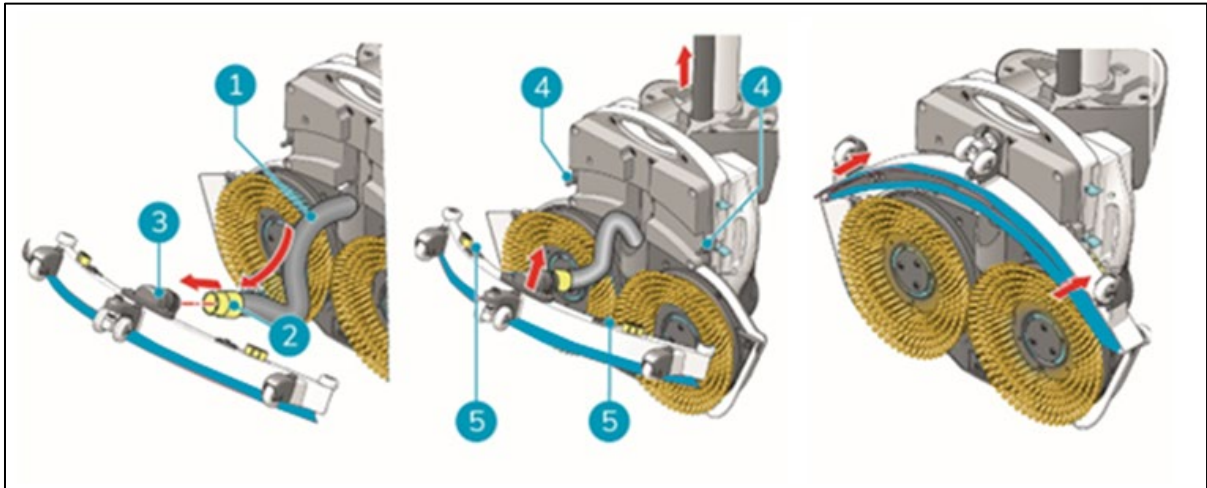


Figure 11

To attach the squeegee:

1. Take the vacuum hose (Figure 11, pos. 1).
2. Insert the hose connector (Figure 11, pos. 2) in the squeegee (Figure 11, pos. 3).
3. Twist the hose connector $\frac{1}{4}$ turn for a firm fit (Figure 11, pos. 2).
4. Carefully pull the vacuum hose back into the machine.
5. Hold the scrub deck firmly with one hand.
6. Align the pins on the scrub deck (Figure 11, pos. 4) with the holes on the squeegee (Figure 11, pos. 5).
7. Push the left side of the squeegee in place.
8. Push the right side of the squeegee in place.

5.2.4 Installing the recovery tank

1. Put the SAFE-T-IMOP in store position, see section 4.2.
2. Put the bottom of the recovery tank (Figure 12, pos 1 and pos 3) on the front of the SAFE-T-IMOP.
3. Push the top of the tank into place until you hear a 'click' sound, the magnet (Figure 12, pos 2) will lock the recovery tank into place.

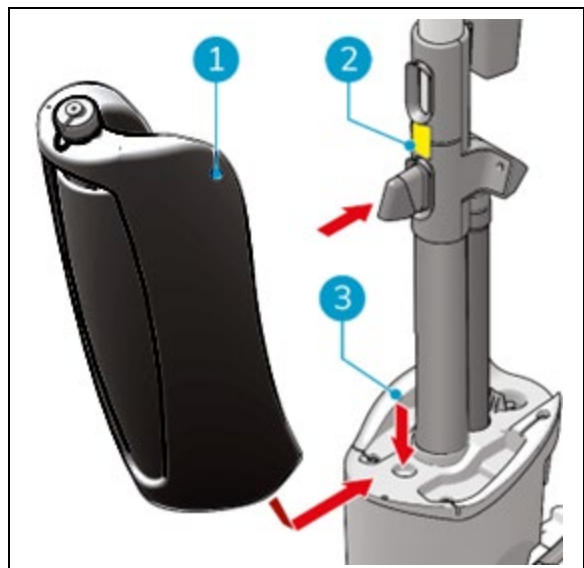


Figure 12



5.2.5 Installing the cleaning solution tank

9. Put the SAFE-T-IMOP in store position, see section 4.2.
10. Put the tank (Figure 13, pos 1) on the SAFE-T-IMOP with the valve first.
11. Press the tank downward on the nipple to open the valve seal.
12. Push the tank forward into place until you hear a 'click'.



Figure 13

5.2.6 Attaching the cellphone holder

1. Slide the rear of the cellphone holder (Figure 14) into the slot of the holder.

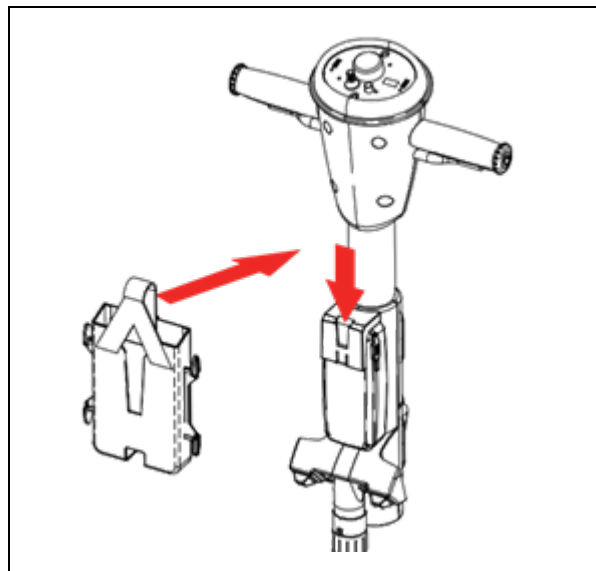


Figure 14



5.2.7 Using the USB Port

The IOT unit has been equipped with an USB-port (Figure 15, pos 1).



CAUTION

THE USB PORT IS ONLY TO BE USED FOR CHARGING CELL PHONES

To use the port:

1. Put your cell phone in the specially designed cellphone holder (Figure 15, pos 2.)
2. Connect the USB cable from your phone with the USB port.
3. Remove the plug once the phone is charged. Into the notch on the cellphone holder.



Figure 15



6 Operation

6.1 Before you start

Check the brushes and squeegee for wear and tear, see section 7, for maintenance instructions.

6.1.1 The i-power 10S battery

See further information about the battery at the battery spec sheet.



CAUTION

Only use i-power® batteries indoors. Always store them at a dry and safe location.

6.1.2 Inserting the batteries



CAUTION

Only use i-power® batteries specifically designed for use in i-mop® devices.

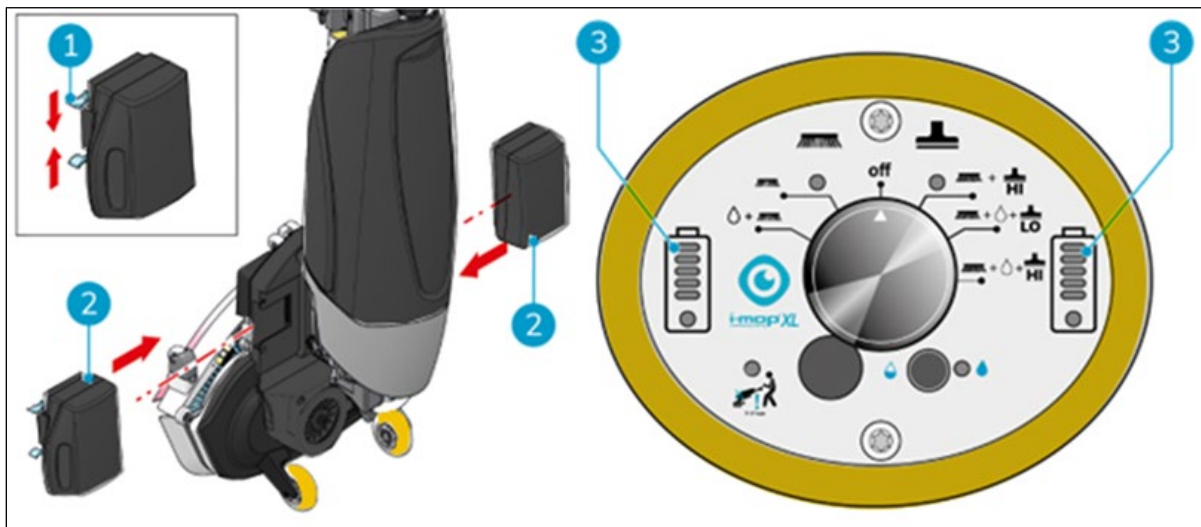


Figure 16

4. Push the blue coded battery (Figure 16, pos. 2) in the blue battery slot. A click indicates the battery is locked in place (Figure 16, pos. 1).
5. Push the grey coded battery in the grey battery slot. A click indicates that the battery is locked in place.
6. During operation, the battery indicators (Figure 16, pos. 3) on the control panel show the amount of power left.

TIP:

It is not recommended to use the batteries when charged below 40% (2 marks).



6.1.3 Serial plate

A serial plate with QR-code, can be found at the rear of the deck, Figure 17.

Scan the QR code for further info if necessary.

On the batteries a QR code can be found. When scanning this code the Technical Data Sheet and Specification Data Sheet will be shown. And an instruction video will be opened, showing the proper use of the batteries. For further information on the batteries refer to the battery manual.



Figure 17

6.2 Operation procedure

6.2.1 Walking to the job site



Figure 18



CAUTION

Ensure that the front splashguard is removed before transporting.



To move the SAFE-T-IMOP from one location to another one in a building:

1. Put the SAFE-T-IMOP in store position, see section 4.2.
2. Hold the handle with one hand (Figure 18, pos 1).
3. Walk slowly and pay extra attention if you pull the SAFE-T-IMOP over obstacles.
4. To lift the SAFE-T-IMOP over obstacles, always use two hands.
 - Hold the handle with one hand.
 - Lift the scrub deck with the other hand.

6.2.2 At the job site

1. Crouch down while holding the scrub deck firmly with one hand (Figure 19, pos 2).
2. Push the handle forward with your other hand (Figure 19, pos 1).
3. Bring the scrub deck slowly down to the floor. The i-balance bracket will pop out automatically.
4. Install the splashguard. (Figure 19, pos 3) (Required for ISO Class 6 Clean rooms)
5. Ensure that the ESD lead on the easy click squeegee is placed 90 degrees to the ground and making sure it contacts the floor. (Figure 19b)



WARNING

Never push down the scrub deck with your foot.

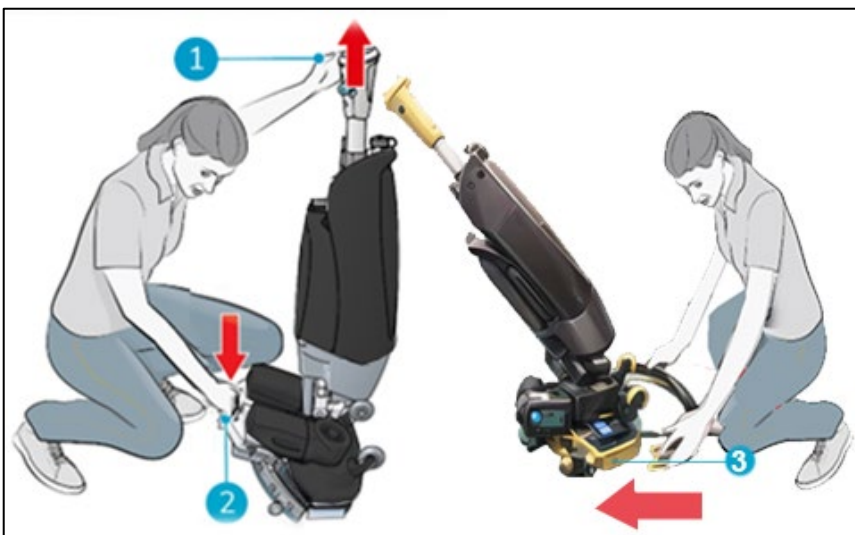


Figure 19



Figure 19b



6. Install the safety band over the recovery tank to make sure the tank isn't opened during use (Figure 20).

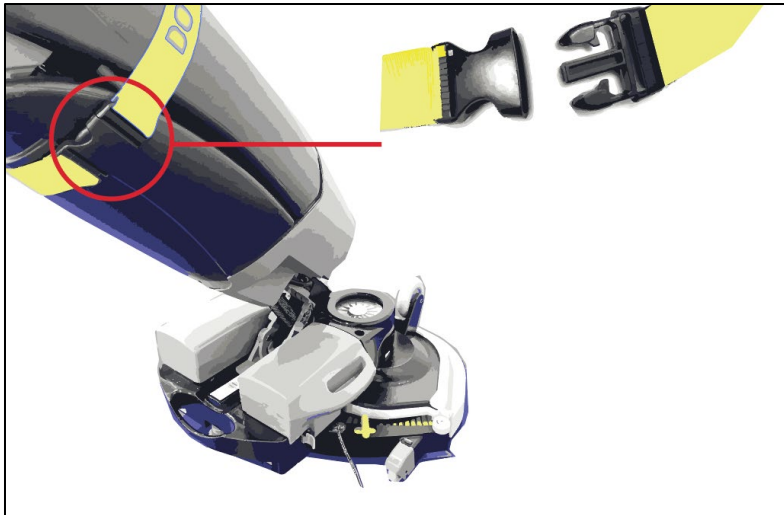


Figure 20

WARNING



If the recovery tank is removed during use this will break the vacuum seal and will contaminate the air with airborne particles due to the loss of the vacuum. Always ensure that the safety band is in place to ward against this.

ATTENTION



Unlike previous generations of i-mop, the SAFE-T-IMOP will only power on when the scrub deck is lowered on the floor. When parked in its upright position, the SAFE-T-IMOP will remain completely powered off to avoid unwanted battery discharge. (The first 3 minutes there is no disabled power to the machine in parking position, for service and maintenance purpose)

7. Stand behind the SAFE-T-IMOP. Choose your cleaning mode via the main switch (Figure 21, pos 8). This will also turn on the SAFE-T-IMOP.
8. Hold the handle with both hands.
9. Squeeze the trigger on the handle (Figure 20Figure 22, pos 10).
10. Once the trigger is squeezed the SAFE-T-IMOP will move forward.
11. Walk behind the SAFE-T-IMOP.

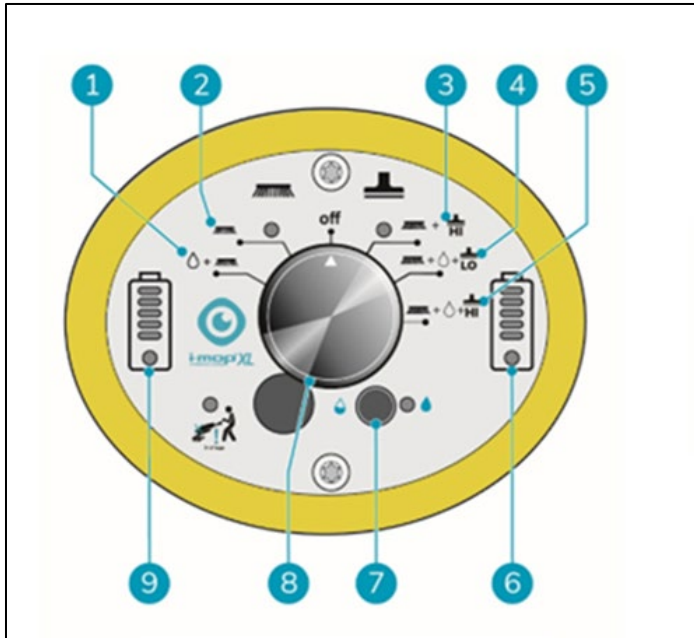


Figure 21

Legend

- | | |
|--------------------------------------------------------|----------------------------|
| 1. MODE 1: Brush + water/cleaning solution | 6. Battery indicator right |
| 2. MODE 2: Brush only | 7. ECO MODE |
| 3. MODE 3: Brush + vacuum | 8. Main knob |
| 4. MODE 4: Brush + water/cleaning solution + Lo vacuum | 9. Battery indicator left |
| 5. MODE 5: Brush + water/cleaning solution + Hi vacuum | |

12. Steer by gently turning the handle left or right to move the scrub deck (Figure 22Figure 20, pos 10).

13. Releasing the trigger (Figure 22Figure 20, pos 10) will immediately stop the SAFE-T-IMOP. The vacuum motor will stop after 3 seconds.

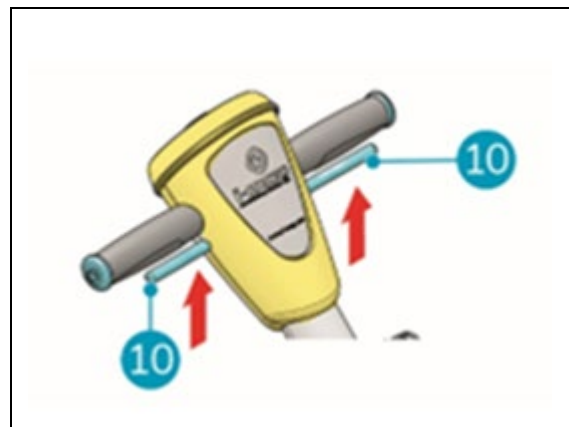


Figure 22

TIP: Learn to swivel

Operating the SAFE-T-IMOP is very intuitive and like steering a bicycle. The SAFE-T-IMOP is designed to move forward. To turn, stop walking and use your inside hand (the hand in the direction you want to go to) to turn the handle. The SAFE-T-IMOP can swivel 360degrees making it possible to reverse direction.



6.2.3 Drive support



WARNING

Do not park the SAFE-T-IMOP on the drive support, the device can fall down sideways.

1. Push the bracket of the park support (Figure 23, pos 1) down to bring the drive support up (Figure 23, pos 2).
2. Lean the main body of the SAFE-T-IMOP against the drive support.
3. Use the SAFE-T-IMOP as normal.
4. To deactivate the drive support push the entire bracket down.
5. For short term parking of the machine i-mop® has a built in timer to manage and guarantee it's durability on brushes.

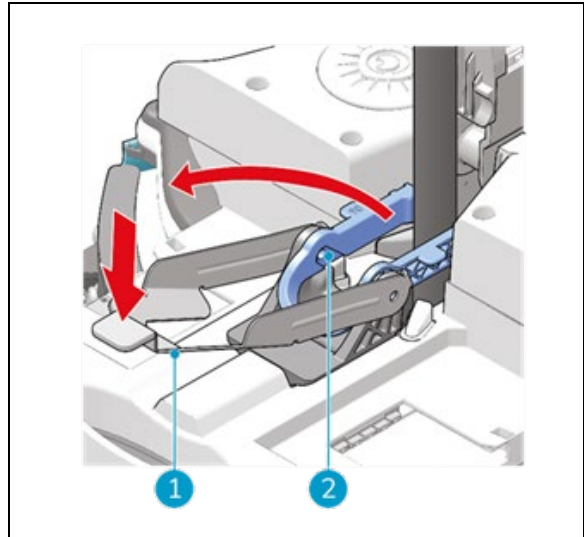


Figure 23

The operator shouldn't park the machine too long on its brushes to avoid damage to the brushes. The display will start to light up as indicated in Figure 24.

After 9.5 minutes + 5 minutes the lights on the display | A | B | C | D | are off. Within this time setting you are still able to operate the machine if you switch on the machine.

After 1.5 minutes more the machine will be completely shut off and you are not able to work with the machine anymore. By lifting the deck and bringing the deck down again you will be able to work again when you switch the knob in the desired direction.

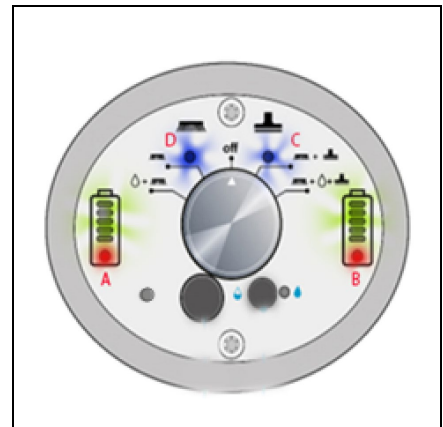


Figure 24

6.2.4 Easy lift kit



WARNING

Walk slowly and pay extra attention when the lifter kit is activated. The floor remains wet. Make sure to mark the job site using a wet floor marker.

Activating the lifter kit will lift the squeegee up, to give detergents some dwell time.



1. Put the SAFE-T-IMOP Pro in store position, see section 4.2.
2. Push the lever (Figure 25, pos. 1) following the arrow .
3. Pull the lifter kit down. The wheel will go down (Figure 25, pos. 2).
4. Use the device as normal. Be careful the floor will remain wet.

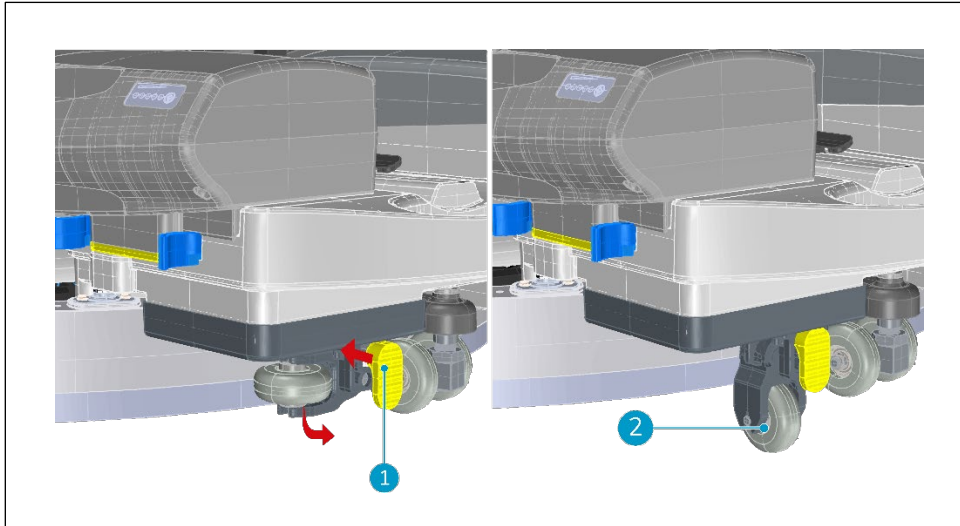


Figure 25

5. Make sure to end cleaning of the jobsite with the lifter kit deactivated.
6. To deactivate push the lever.(Figure 25, pos 1) The weight of the machine will push the lifter kit in.

6.2.5 ECO mode

The ECO mode will use 40% less cleaning solution.

1. Turn on the ECO mode by pushing the ECO button after you have selected your cleaning mode (Figure 26, pos. 1).
2. Turn off ECO mode by pushing the ECO mode again.
3. To adjust water flow when ECO mode is activated, you can remove the rubber cap (Figure 26, pos 2) and use a small flathead screwdriver to change the flowrate on the dial below the cap. See flowrate Table 1 below.

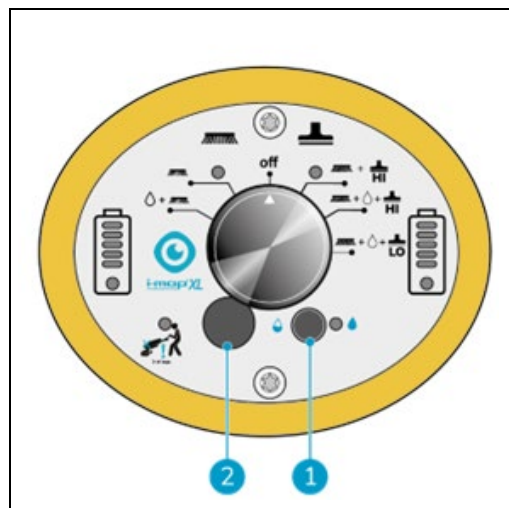


Figure 26



Standard flow: 250ml/minute

Arrow position	Water flow down time (Sec.)	Water stop tme (Sec.)	Water flow(ml/minute)	Remark
0	0.588	9.412	15	minimum flow rate water saving
1	1.176	8.824	29	
2	1.764	8.236	44	
3	2.352	7.648	59	
4	2.94	7.06	74	
5	3.528	6.472	88	
6	4.116	5.884	103	
7	4.704	5.296	118	
8	5.292	4.708	132	
9	5.88	4.12	147	
A	6.468	3.532	162	Standard flow rate water saving
B	7.056	2.944	176	
C	7.644	2.356	191	
D	8.232	1.768	206	
E	8.82	1.18	221	
F	9.408	0.592	235	Maximum flow rate water saving

Note that the flow rate is only affected when ECO mode is turned on.

Table 1

6.2.6 Angle warning indicator

The angle warning indicator will flash at the blue circled area as soon the operator will go below 32 degrees. The indicator light will turn on and the water recovery will be paused. When the handle is raised above 32 degrees the vac motor will restart after 5 seconds

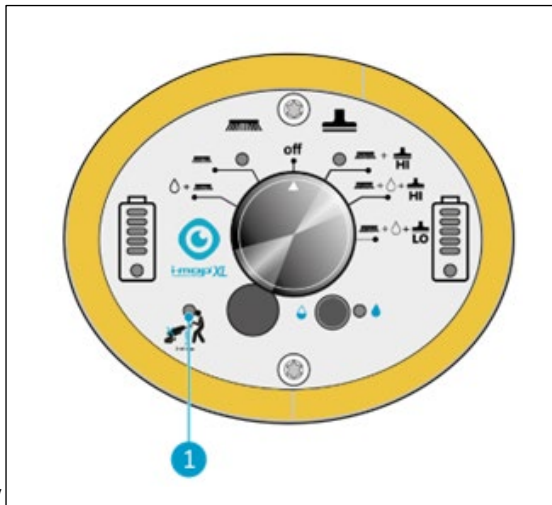


Figure 27).

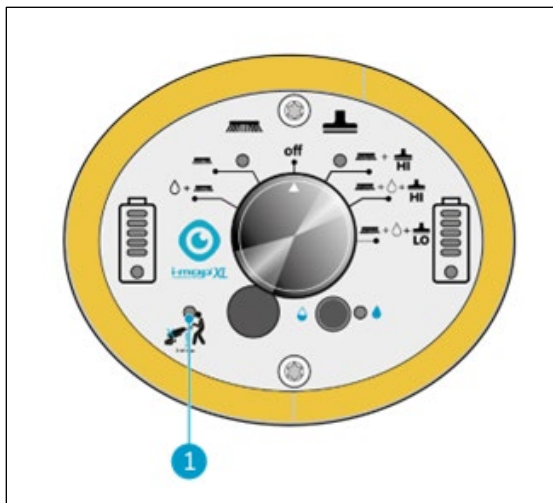


Figure 27



ATTENTION

Do not hold the eco button down for more than 10 seconds. This will reset the angle warning sensor to a new angle.

6.2.7 Turning off the SAFE-T-IMOP

1. Use the i-mop XL Pro main switch (Figure 28, pos. 1) and choose MODE 3 Brush + Dry vacuum (Figure 28, pos. 2).
2. Operate it about 15-20 feet / 4-6 meter farther to vacuum remaining cleaning solution up.
3. Then set the main switch to the OFF position.

Note that the vacuum motor will continue to run for approximately 3 more seconds.

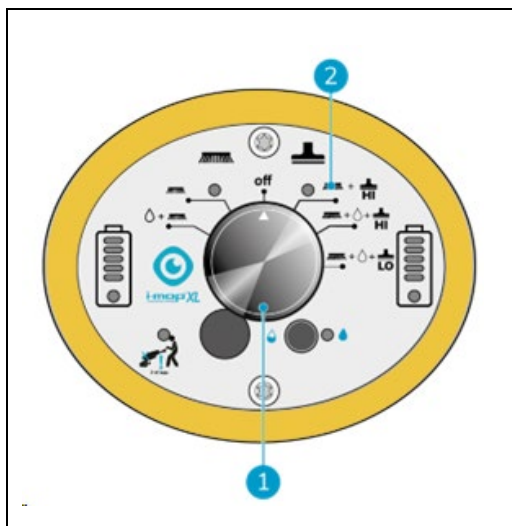


Figure 28

6.2.8 Emptying tanks

Dispose of water or cleaning solution from both tanks in an appropriate drain. Even though the recovery tank is bigger, empty it each time the cleaning solution tank is filled.



WARNING

Please observe the local provisions regarding solution disposal related to wastewater treatment.



6.3 Cleaning and storage

6.3.1 Flushing the system

Be sure to flush the tanks out completely to discard any remaining solution in the lines and valves.

1. Refill the solution tank with 2 to 4 cups / 0.5 to 1 liter of clean water.
2. Use the i-mop XL Pro main switch (Figure 29, pos. 1) and choose MODE 4 Brush + Water/Cleaning solution + Dry vacuum (Figure 29, pos. 2).
3. Use the trigger to start the SAFE-T-IMOP and allow it to flush the system.

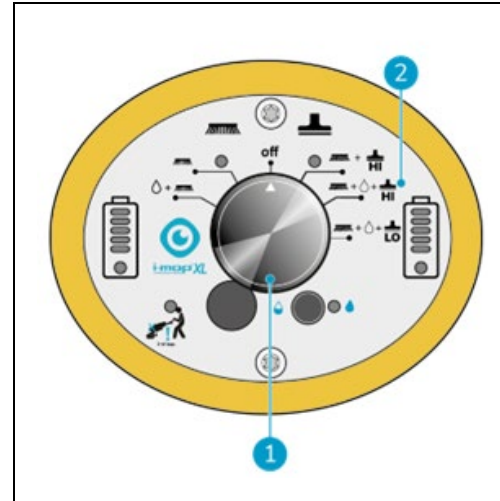


Figure 29

6.3.2 Cleaning the tanks

1. Dispose of water or cleaning solution from both tanks in an appropriate drain.
2. To clean the recovery tank thoroughly:
 - Partially fill the tank with fresh water and hold it horizontally with the holes facing up.
 - Tilt the tank repeatedly, thoroughly rinsing all the dirt and debris out from the tank.
3. To clean the solution tank, follow the same procedure.

TIP: Dry the tanks

Slightly open both tank caps before storage to allow the tanks to dry.



6.3.3 Cleaning the filter

To clean the recovery tank and ball float shutoff assembly, you have to remove the recovery tank from the SAFE-T-IMOP.

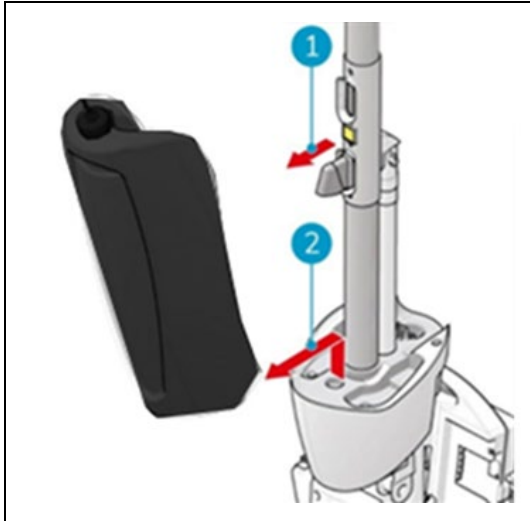


Figure 30



Figure 31

1. Pull the top of the recovery tank outwards (Figure 30, pos 1).
2. Lift the recovery tank up and move it away from the body of the i-mop XL (Figure 30, pos 2).
3. Grab the support frame of the ball float shutoff assembly (Figure 31, pos 1) between your index finger and your thumb and pull it outwards.

Taking apart the ball float shutoff.

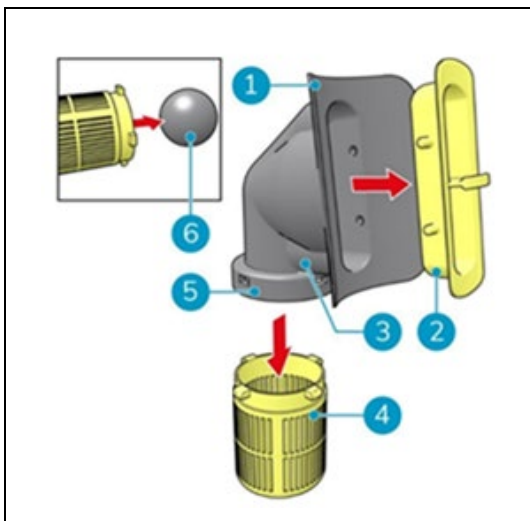


Figure 32

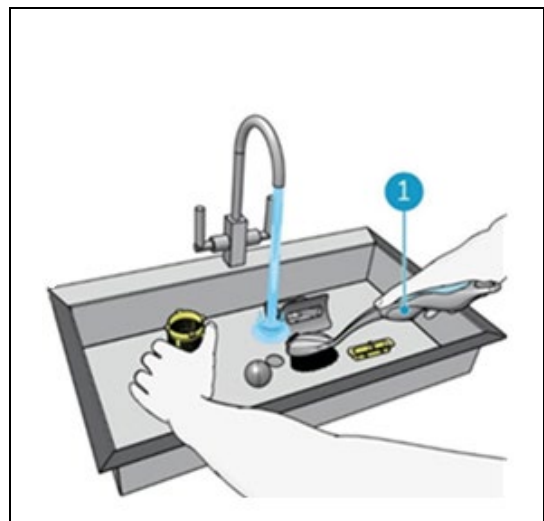


Figure 33

4. Pull the support frame (Figure 32, pos 2) out of the rubber housing (Figure 32, pos 3). To do this, bend the rubber flaps (Figure 32, pos 1) outwards to release the 4 nocks of the support frame.
5. Pull the float ball housing (Figure 32, pos 4) out of the rubber housing. To do this, bend the rubber ring (Figure 32, pos 5) outwards to release the 4 nocks of the float ball housing.



6. The floating ball (Figure 32, pos 6) comes out.
7. Rinse the parts with tap water. If required, clean with a brush (Figure 33, pos 1).

Assembling the ball float shutoff.

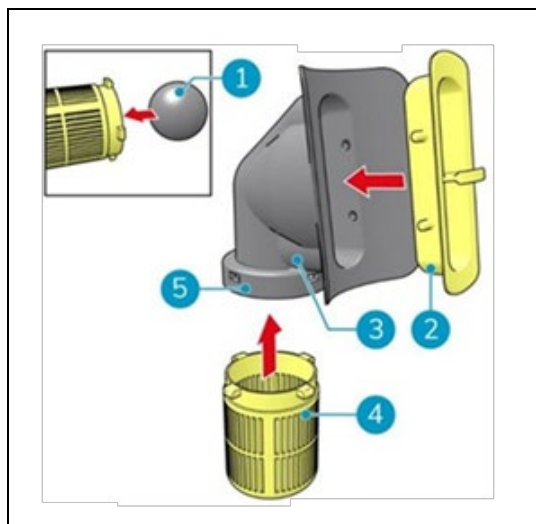


Figure 34

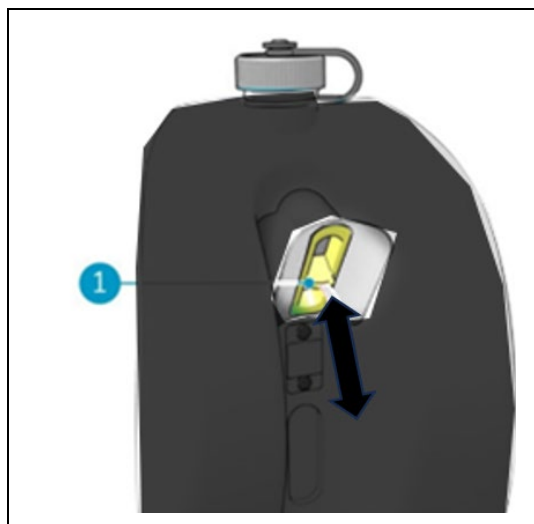


Figure 35

8. Place the floating ball in the float ball housing (Figure 34, pos 1).
9. Press the float ball housing (Figure 34, pos 4) into the rubber housing (Figure 34, pos 3). Make sure that the 4 nocks of the float ball housing fit into the holes in the rubber ring (Figure 34, pos 5).
10. Press the support frame (Figure 34, pos 2) in the rubber housing (Figure 34, pos 3). Make sure that the 4 nocks fit into the holes of the rubber housing.
11. Fill the recovery tank with approximately 1 liter of tap water (Figure 36, pos 1).
12. Carefully shake it and dispose of the waste water properly.
13. Place the ball float shutoff assembly back in the recovery tank (Figure 35). Make sure that the support frame and rubber housing sit flush on the tank and seals it.
14. Put the bottom of the recovery tank (Figure 36, pos 1 and pos 3) on the front of the SAFE-T-IMOP



Figure 36

15. Push the top of the tank into place until you hear a "click" sound, the magnet (Figure 36, pos 2) will lock the recovery tank into place.



6.3.4 Removing battery packs

1. Put the SAFE-T-IMOP in store position, see section 4.2.
2. Hold the SAFE-T-IMOP by the scrub deck to stabilize.
3. While pressing both plastic pins inwards (Figure 37, pos 1), pull each battery pack away (Figure 37, pos 2).
4. When the SAFE-T-IMOP isn't used regularly, store the charged battery packs in a dry, clean place.
5. Make sure the battery packs are charged monthly.

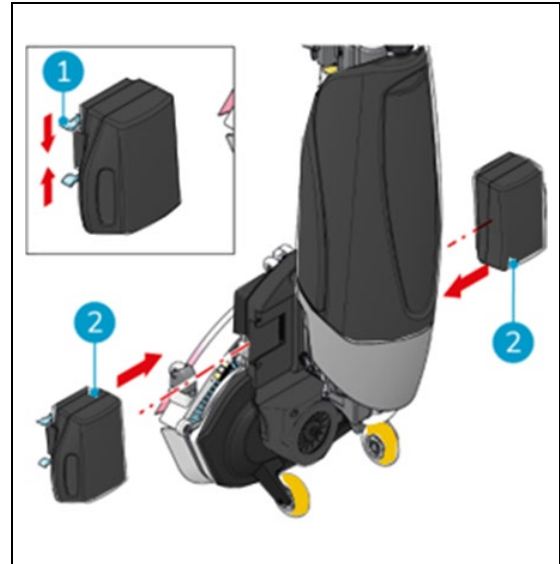


Figure 37

6.3.5 Checking the brushes and squeegee

1. Check to see if both brushes are clean and intact, see section 7.1 for removal instructions.
 - Clean them under fresh water or replace them if necessary.
 - Replace brushes if the yellow wear indicator is the same height as other bristles.
2. Check to see if the squeegee is clean and intact, see section 7.2.1 for removal instructions.
 - Clean it with fresh water and wipe it with a clean, damp cloth.
 - Replace the squeegee blades when necessary.

6.3.6 Store in an upright position

1. Please ensure that the SAFE-T-IMOP is stored in a place where nobody can bump into it.
2. Put the SAFE-T-IMOP in store position, see section 4.2.
3. Store the SAFE-T-IMOP close to a wall (Figure 38, pos 1) with the handle pointing facing away from the wall and the brushes towards the wall.



Figure 38



7 Maintenance



CAUTION

Remove the battery before executing any cleaning or maintenance task.



CAUTION

Always keep the body of the SAFE-T-IMOP in an upright position when replacing the brushes or the squeegee.



CAUTION

Always wear rubber gloves when carrying out maintenance tasks.

7.1 Brush replacement

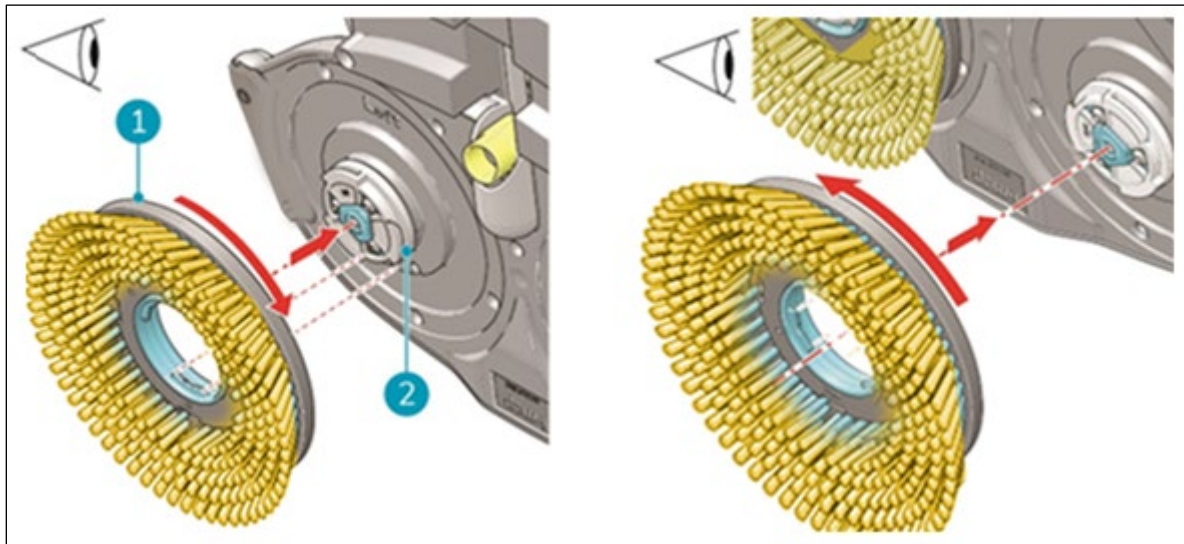


Figure 39

The brushes are attached to the scrub deck with a bayonet fitting.

1. Put the SAFE-T-IMOP in store position, see section 4.2.
2. Hold the scrub deck firmly with one hand.
3. Using your other hand to turn the left brush (Figure 39, pos. 1) counterclockwise until you feel resistance or see the motor disk turning as well.
4. Pull the brush towards you, off the motor disk.
5. Turn the right brush clockwise until you feel resistance or see the motor disk turning as well.
6. Pull the brush towards you, off the motor disk.
7. Visually inspect the motor disks.
8. Clean the SAFE-T-IMOP scrub deck with a clean, dry cloth before you install the brushes.



7.2 Squeegee replacement

The squeegee blades come in pairs and wear out over time. When you notice the floor is no longer being dried properly, replace the squeegee blades.

7.2.1 Detaching the squeegee

1. Put the SAFE-T-IMOP in store position, see section 4.2.
2. Hold the scrub deck firmly with one hand.
3. Pull on the left side of the squeegee to remove it (Figure 40, pos. 1).
4. Pull on the right side of the squeegee to remove it (Figure 40, pos. 2).
5. Remove the vacuum hose from the squeegee by twisting the hose.

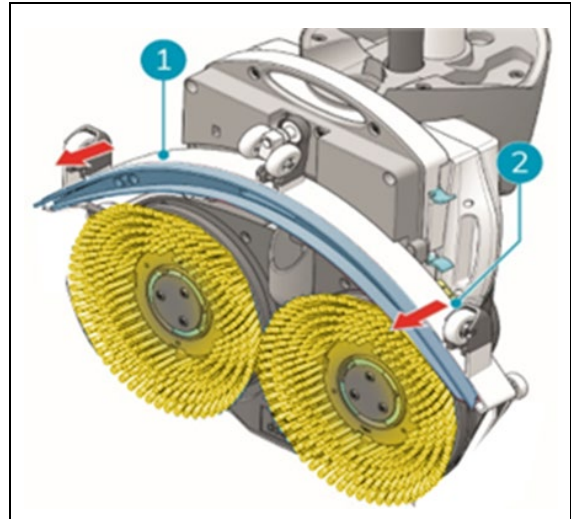


Figure 40

7.2.2 Replacing the squeegee blade

1. Gently pull down the squeegee blade unit from the scrub deck.
2. When the unit has been removed from the scrub deck, turn simultaneously the two yellow knobs on the top of the squeegee-unit to align the surface of the squeegee (Figure 41, pos. 1). The squeegee blades holder will detach from the squeegee blade unit. Now the squeegee blades are exposed.

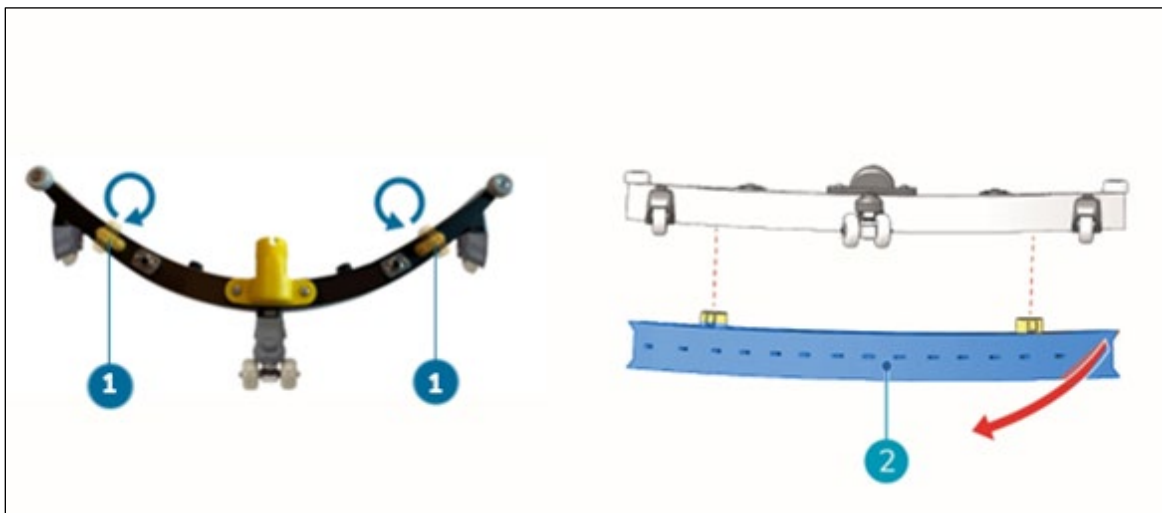


Figure 41

3. Pull the front and rear rubber squeegee blades from the metal nobs of the holder (Figure 41, pos. 2).
4. Inspect the front and rear rubber blades:



5. Replace the rubber squeegee blade with a new one, (Figure 42 , pos. 2). Fix it onto the holder by pressing it gently on the metal nobs of the holder, (Figure 42 , pos. 1).
6. Carry out the previous step for the other squeegee blade.
7. Put the squeegee blade holder back into the squeegee blade unit.

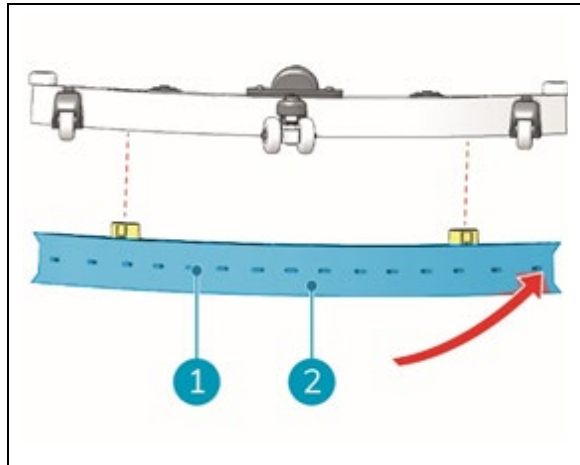


Figure 42



ATTENTION

Align the nobs on the squeegee blades holder with the notches in the squeegee blade unit.

7.2.3 Attaching the squeegee

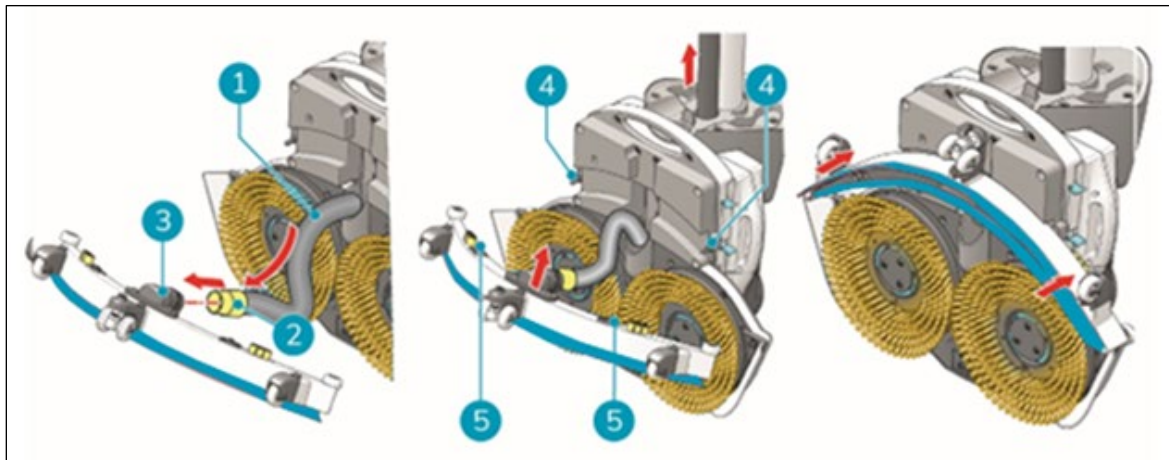


Figure 43

To attach the squeegee:

8. Take the vacuum hose (Figure 43, pos. 1).
9. Insert the hose connector (Figure 43, pos. 2) in the squeegee (Figure 43, pos. 3).
10. Twist the hose connector $\frac{1}{4}$ turn for a firm fit (Figure 43, pos. 2).
11. Carefully pull the vacuum hose back into the machine.
12. Hold the scrub deck firmly with one hand.
13. Align the pins on the scrub deck (Figure 43, pos. 4) with the holes on the squeegee (Figure 43, pos. 5).
14. Push the left side of the squeegee in place.
15. Push the right side of the squeegee in place.



7.3 Replacing the vacuum hose

1. Detach the squeegee as described in 7.2.1.
2. Remove the solution tank. You can see where the vacuum hose is connected at the SAFE-T-IMOP handle.
3. Hold the scrub deck firmly with one hand.
4. Detach the vacuum hose by twisting the connector 1/4 turn anticlockwise.
5. Now you can carefully pull the vacuum hose from the top of the machine.
6. Guide the new vacuum hose via the opening to the hose connector located at the SAFE-T-IMOP handle.
7. Connect the top to the hose connector by twisting it clockwise 1/4 turn until they have lined up.
8. Reinstall the squeegee.

7.4 Replacing the wheels

The squeegee unit of the SAFE-T-IMOP comes with three supporting wheels. These wheels are placed in a small plastic support bracket. To replace the wheels:

1. Press the catch on top of the squeegee unit towards the wheel. By doing so the catch of the wheel bracket will be released.
2. Slide the wheel bracket off the squeegee unit (Figure 44).
3. Replace the bracket with a new one and push it back onto the squeegee unit.

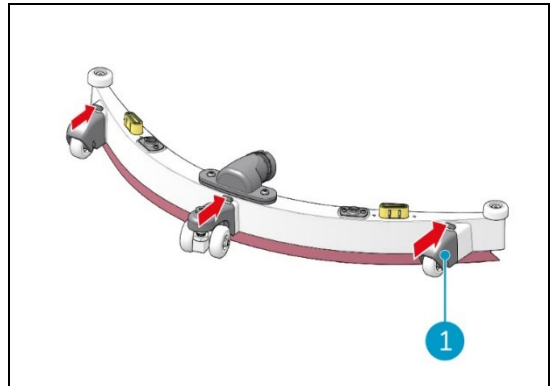


Figure 44

It is possible to replace all three wheels units by swivel wheels. Doing so will make controlling the i-mop more difficult. Exchanging all wheels with swivel wheels is only to be done for floor restorations.



CAUTION

If all wheel units are replaced with swivel wheels, the suction function of the i-mop should not be used. The i-mop will be difficult to guide and the water will not be pushed under the squeegee.



ATTENTION

The SAFE-T-IMOP comes with standard FKM/Viton WHEELS. Depending on the environment where the SAFE-T-IMOP is going to be used the FKM/Viton wheels can be replaced by stainless steel ones.

7.5 Motor filter

7.5.1 Removing and replacing the motor filter

The motor filter is designed to block airborne particles from exhausting out of the i-mop. Replace the motor filter regularly to prevent the motor from overheating. The motor filter is ULPA 15 rated filter. It should be replaced every 3 months.

1. Place the SAFE-T-IMOP in the active position with the front of the main body supported by the parking support (Figure 45).
2. Rotate the yellow filter holder counterclockwise to access the filter.
3. Remove the filter from the motor housing (Figure 45).
4. Replace the filter and reinstall the holder (Figure 46)



Figure 45



Figure 46





7.6 Replacing the splash guards

The splash guards are fitted on a plastic holder. The splash guards are to be replaced approximately once every two years. To replace the splash guard:

1. Remove the brushes as indicated in section 5.2.2.
2. Press the plastic holder including the splash guards can be detached by pressing it downwards, away from the center of the brushes.
3. Replace the plastic holder with splash guard with a new one and fit it back onto the deck.
4. Fix the brushes back as indicated in section 5.2.2.

7.7 Recommended additional cleaning

Clean the exterior of the SAFE-T-IMOP weekly with a non-abrasive, non-solvent cleaner or a clean, damp cloth. To clean the scrub deck, remove the brushes.

7.8 Recommended service time

Service must be done by one of our service partners. The first service is recommended after 200 hours. It is recommended to schedule a full service every 500 hours.

Check the timer on the control panel on a regular basis. Each decimal step on the timer registers 6 minutes of operation.

7.9 Accessories

The SAFE-T-IMOP can be equipped with different brushes and polishing pads. The use of these accessories is only allowed by experienced and trained operators as some polishing pads can be abrasive and can cause damage to the floor surface when applied incorrectly. For more information please contact our sales department, or the partner who provided the SAFE-T-IMOP.

7.10 ISO Classes

Use in compliance with the standards.

ISO Class 7/8/9 the SAFE-T-IMOP can be used without a front and mid splash guard

ISO Class 5/6 the SAFE-T-IMOP is only certified when using front and mid splash guard kit K.1.S.72.0670.0



Figure 47



7.10.1 ISO Class Standards Chart for Reference

Class	Maximum particles/m ³ ^a						FED STD 209E equivalent
	≥0.1 μm	≥0.2 μm	≥0.3 μm	≥0.5 μm	≥1 μm	≥5 μm	
ISO 1	10 ^b	d	d	d	d	e	
ISO 2	100	24 ^b	10 ^b	d	d	e	
ISO 3	1,000	237	102	35 ^b	d	e	Class 1
ISO 4	10,000	2,370	1,020	352	83 ^b	e	Class 10
ISO 5	100,000	23,700	10,200	3,520	832	d,e,f	Class 100
ISO 6	1,000,000	237,000	102,000	35,200	8,320	293	Class 1,000
ISO 7	c	c	c	352,000	83,200	2,930	Class 10,000
ISO 8	c	c	c	3,520,000	832,000	29,300	Class 100,000
ISO 9	c	c	c	35,200,000	8,320,000	293,000	Room air

^a All concentrations in the table are cumulative, e.g. for ISO Class 5, the 10 200 particles shown at 0,3 μm include all particles equal to and greater than this size.

^b These concentrations will lead to large air sample volumes for classification. Sequential sampling procedure may be applied; see Annex D.

^c Concentration limits are not applicable in this region of the table due to very high particle concentration.

^d Sampling and statistical limitations for particles in low concentrations make classification inappropriate.

^e Sample collection limitations for both particles in low concentrations and sizes greater than 1 μm make classification at this particle size inappropriate, due to potential particle losses in the sampling system.

^f In order to specify this particle size in association with ISO Class 5, the macroparticle descriptor M may be adapted and used in conjunction with at least one other particle size. (See C.7.)

Table 2

7.10.2 Independent Laboratory Test Results for Airborne Particle Concentration

Particle Size	Test result for <u>I-MOP XL</u>				Uint
	Dry-brush -Left	Dry-brush-Mid	Dry-brush- Right	Dry-brush -HPC	
≥ 0.10μm	103616 ± 32628	217080 ± 123179	180969 ± 39400	92701 ± 17773	count/m ³
≥ 0.15μm	47782 ± 16762	94720 ± 43054	76132 ± 17981	47888 ± 8352	count/m ³
≥ 0.20μm	25174 ± 7510	46374 ± 15078	37933 ± 8353	27526 ± 3654	count/m ³
≥ 0.25μm	16092 ± 4572	29776 ± 8518	25397 ± 5199	18963 ± 2051	count/m ³
≥ 0.30μm	8052 ± 2216	15697 ± 4425	14520 ± 2735	10505 ± 944	count/m ³
≥ 0.50μm	759 ± 185	1301 ± 291	1330 ± 227	1101 ± 124	count/m ³
≥ 1.00μm	353 ± 111	400 ± 157	359 ± 128	462 ± 67	count/m ³
≥ 5.00μm	59 ± 39	47 ± 30	47 ± 30	86 ± 59	count/m ³

Particle Size	Test result for <u>I-MOP XL</u>				Uint
	Wet-brush -Left	Wet -brush-Mid	Wet -brush- Right	Wet -brush -HPC	
≥ 0.10μm	718024 ± 439395	356987 ± 75003	980032 ± 296898	227576 ± 36018	count/m ³
≥ 0.15μm	321194 ± 175132	197252 ± 49806	647844 ± 205526	145094 ± 25396	count/m ³
≥ 0.20μm	157687 ± 65741	132149 ± 33824	453262 ± 145829	107807 ± 18874	count/m ³
≥ 0.25μm	101578 ± 33615	102078 ± 26139	346056 ± 113151	88308 ± 15024	count/m ³
≥ 0.30μm	58122 ± 12969	69447 ± 17432	232517 ± 78075	66176 ± 10635	count/m ³
≥ 0.50μm	12631 ± 1393	21224 ± 7662	56546 ± 23681	26899 ± 3170	count/m ³
≥ 1.00μm	3072 ± 1360	8487 ± 5004	11748 ± 7307	11907 ± 1524	count/m ³
≥ 5.00μm	130 ± 165	747 ± 574	65 ± 72	906 ± 456	count/m ³

Table 3



8 Troubleshooting

Problem	Cause	Solution
No power	No batteries	Insert batteries
	Empty batteries	Charge batteries
	Batteries incorrectly placed	Remove and reinstall batteries
Insufficient/no water flow	Wrong program	Check the operating mode on the control panel
	Eco mode on	Check the ECO mode light on the control panel
	Empty tank	Fill the tank
	Tank incorrectly placed	The tank valve must be clicked on the nipple to open the seal, replace the tank
	Filter blocked	Ensure the solution tank has no dirt particles and the filter is clean
	Blocked water pipe	Request for service
Poor water recovery	Squeegee opening blocked	Remove the pipe and clean the squeegee opening
	Tears in squeegee blades	Replace squeegee blades
	Filter blocked	Check the yellow filter and clean if necessary
	Vacuum hose blocked	Check and remove blockage
	Vacuum pump not running	Request for service
Leakage	Tanks incorrectly placed	Check and reattach fluid tanks
	Tear in vacuum hose	Replace vacuum hose or request for service
Battery not charging	Battery is at end of life	Replace battery



9 Decommissioning and disposal



ATTENTION

It is the responsibility of the SAFE-T-IMOP owner to dispose of the product responsibly.

After decommissioning, the SAFE-T-IMOP still contains valuable resources and needs to be disposed of according to your local laws and regulations regarding recycling of electrical equipment.



Before disposal please:

1. Flush the machine, see section 6.3.1.
2. Remove the batteries for separate disposal, see section 6.3.4.

TIP:

Alternatively, keep the batteries for use in another piece of i-team equipment.

3. Remove all loose components like brushes, tanks and squeegee.
4. Dispose all items according to your local laws and regulations.



10 Attachments

10.1 CE Certificate

C E R T I F I C A T E of Conformity EC Council Directive 2014/30/EU Electromagnetic Compatibility		 TÜVRheinland®
Registration No.:	AE 50408406 0001	
Report No.:	50127657 001	
Holder:	Future Cleaning Technologies (FCT) B.V Hoppenkuil 27A 5626 DD Eindhoven Netherlands	
Product:	Floor Cleaning Machine (i-mop)	
Identification:	XL XXL Serial No.: n.a. Remark : Refer to test report 50127657 001 for details.	
Tested acc. to:	EN 55014-1:2006+A1+A2 EN 55014-1:2017 EN 55014-2:1997+A1+A2 EN 55014-2:2015	
<p>This certificate of conformity is based on an evaluation of a sample of the above mentioned product. Technical Report and documentation are at the Licence Holder's disposal. This is to certify that the tested sample is in conformity with all provisions of Annex I of Council Directive 2014/30/EU. This certificate does not imply assessment of the production of the product and does not permit the use of a TÜV Rheinland mark of conformity. The holder of the certificate is authorized to use this certificate in connection with the EC declaration of conformity according to the a.m. Directive</p>		
Date <u>20.06.2018</u>	 Dono Zhou	
TÜV Rheinland LGA Products GmbH - Tillystraße 2 - 90431 Nürnberg		
Ⓒ The CE marking may only be used if all relevant and effective EC Directives are complied with. Ⓒ		

1000012 04.08 © TÜV, TÜV and TÜV are registered trademarks. Issuance and application requires prior approval.



10.2 SGS Certificate of Conformity



Validation of Certificate

The Validation of Certificate is for the Cleanroom floor scrubber machine I-MOP XL by the Future Cleaning Technologies B.V.

Certification Number: VoC-SHST2411000503CR
Certification issue date: 2023-10-23
Valid period: 2026-10-23
Reference Test Report: SHSUTA2309000359CR
Applicant: Future Cleaning Technologies B.V.
Address: Hoppenkuil 27A 5626 DD Eindhoven NL
Type of product: I-MOP XL
Trademark: 

Within the scope of ISO 14644-14:2016 Cleanrooms and associated controlled environments — Part 14: Assessment of suitability for use of equipment by airborne particle concentration. Accordingly, the particle emission tests under simulated run test for sweeping and vacuuming mode by SGS.

This product – Cleanroom floor scrubber machine I-MOP XL overall result are conforming the requirements for particle emission cleanroom.

Dry-brush model (brush the floor and vacuum without spray water mode): I-MOP XL has cleanroom suitability for use within a cleanroom of ISO Class 5 (0.5 μm).

Wet-brush model (brush the floor and vacuum with spray water mode): I-MOP XL has cleanroom suitability for use within a cleanroom of ISO Class 6 (0.5 μm).

Signed for and on behalf of SGS China







The i-Story

It's not just about cleaning machines.

It's about the well-being of people and the planet.

We are stoked about cleaning, thrilled about sustainability and wholeheartedly dedicated to keep on innovating.

We believe effective cleaning is more than just the removal of soil. It means ensuring the health and safety of people, while making the job easier, simpler, more efficient and even fun. It means consistent results all over the world, while protecting the world. And it means creating partnerships to grow our global force for better cleaning. After all, it takes a team.

The i-team.

Made Blue

By operating i-mops, your partners, clients and users lower the water footprint whilst contributing positively to the availability of water in the world. Every day an i-mop is turned on, Made Blue simultaneously ensures someone else on the planet gets access to clean water. For every liter that the i-mop uses in operations, the i-team and Made Blue mirror clean drinking water in a developing country. The planet is a beautiful place with over 7 billion people. Humans need water to live, breathe, and enjoy their lives. Worldwide 2,7 billion people suffer from a shortage of drinking water. For 780 million people this situation is permanent each year 3,5 million people die because of this. That's why Made Blue invests in projects in developing countries. We are a proud partner of Made Blue. Made Blue mirrors the water used by i-team to create clean water in developing countries. 1 liter for 1 liter.



MADE BLUE



Access to clean water for All.



This page is intentionally left blank.



[i-team Professional b.v.](#)

Hoppenkuil 27b, 5626 DD Eindhoven, The Netherlands

Telephone: +31402662400

Email: hello@i-teamglobal.com

Internet: www.i-teamglobal.com

