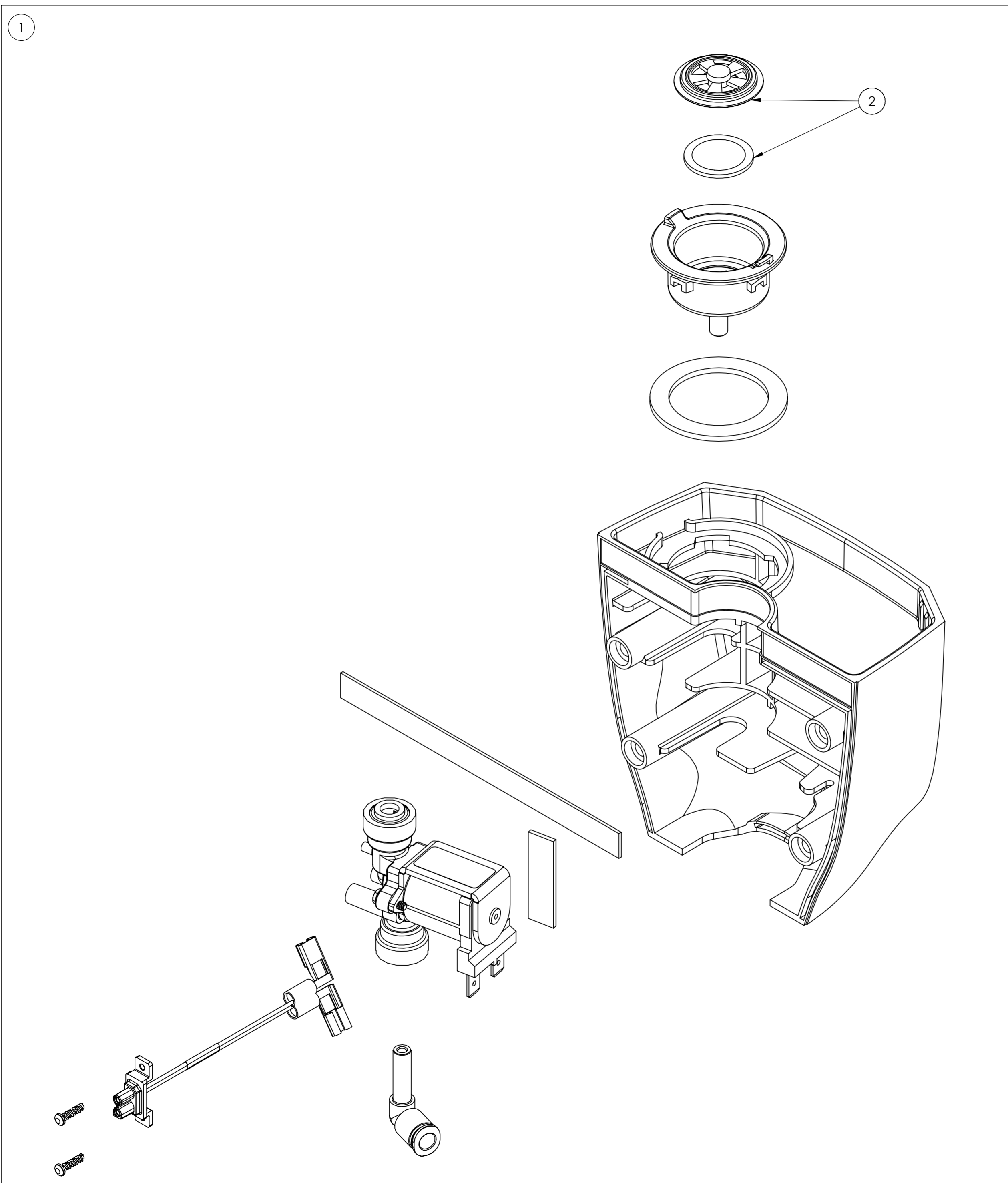


12 11 10 9 8 7 6 5 4 3 2 1

H  
G  
F  
E  
D  
C  
B  
A



ITEM NO.	PART NUMBER	DESCRIPTION	QTY.	QTY. as sold
1	044-S03	SOLENOID POD ASSEMBLY	1	1
2	044-S09	CLEAN WATER TANK BUCKET FILTER ASSEMBLY	1	1

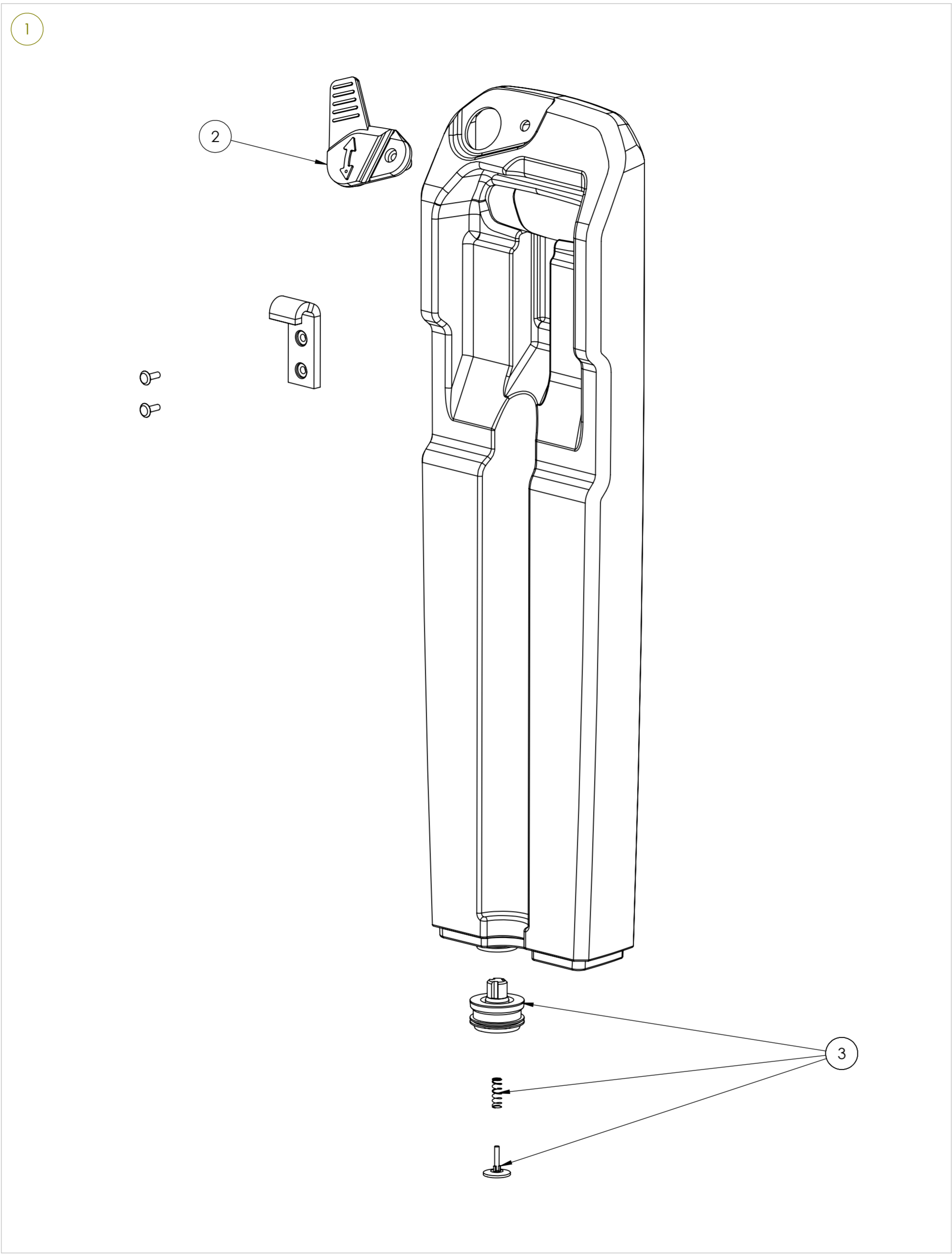
12 11 10 9 8 7 6 5 4 3 2 1

<small>PROPRIETARY AND CONFIDENTIAL The data and information disclosed on this drawing are the exclusive property of Dextron Technologies Limited and may be subject of UK and foreign patents and/or applications. Reproduction, copying, disclosure or use of this drawing data and information without the written permission of Dextron is strictly Prohibited. Copyrighted.</small>		<b>DEXTRON</b> <small>DEXTRON TECHNOLOGY LIMITED SHEFFIELD, UNITED KINGDOM</small>		<b>ASSEMBLY DESCRIPTION</b> SOLENOID POD ASSEMBLY	
THIRD ANGLE PROJECTION		REVISION <b>REV.1.4</b>	RELEASE STATUS In Work	DRAWN 10/07/2024	MACHINE DRYFT
SCALE 1:5	PAGE SIZE A2	MASS 491.85 (g)	DATE CHANGED 21/12/2024	CHANGED BY S.CARR	DRAWING TYPE SPARE PARTS DRAWING
				APPROVED NAME	ASSEMBLY CODE 044-S03

H  
G  
F  
E  
D  
C  
B  
A

12 11 10 9 8 7 6 5 4 3 2 1

ITEM NO.	PART NUMBER	DESCRIPTION	QTY.	QTY. as sold
1	044-S02	CLEAN WATER TANK ASSEMBLY	1	1
2	044-0015	CLEAN WATER TANK FILL CAP	1	1
3	200-S07	CLEAN WATER TANK VALVE ASSEMBLY	1	1



H  
G  
F  
E  
D  
C  
B  
A

H  
G  
F  
E  
D  
C  
B  
A

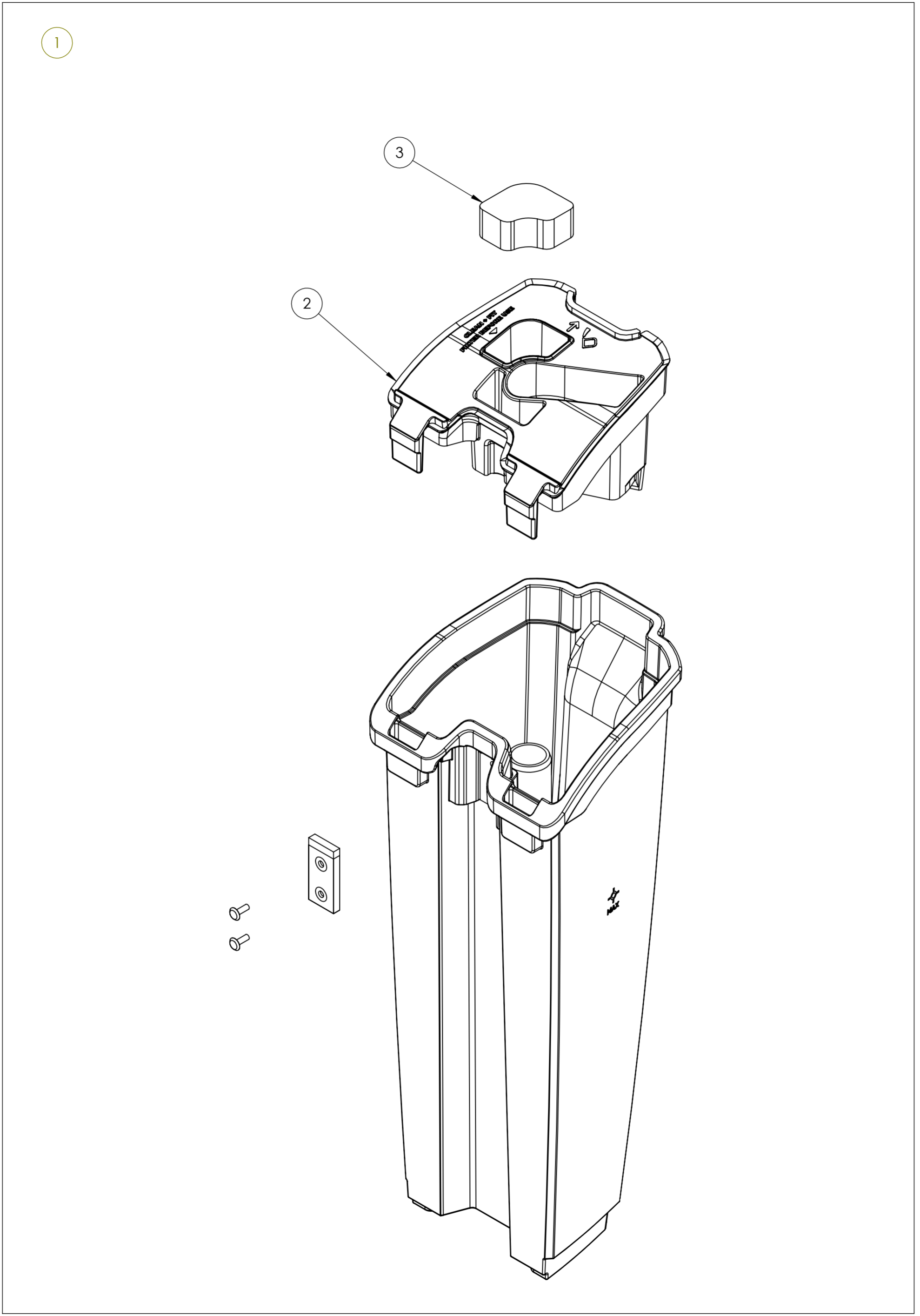
<small>PROPRIETARY AND CONFIDENTIAL The data and information disclosed on this drawing are the exclusive property of Dextron Technologies Limited and may be subject of UK and foreign patents and/or applications. Reproduction, copying, disclosure or use of this drawing data and information without the written permission of Dextron is strictly Prohibited. Copyrighted.</small>		<b>DEXTRON</b> <small>DEXTRON TECHNOLOGY LIMITED SHEFFIELD, UNITED KINGDOM</small>		<b>ASSEMBLY DESCRIPTION</b> CLEAN WATER TANK ASSEMBLY	
THIRD ANGLE PROJECTION		REVISION <b>REV.1.4</b>	RELEASE STATUS In Work	DRAWN 12/06/2024	NAME D.TAYL
SCALE 1:5	PAGE SIZE A2	MASS 416.68	DATE CHANGED 21/12/2024	CHANGED BY S.CARR	APPROVED NAME
				MACHINE DRYFT	
				DRAWING TYPE SPARE PARTS DRAWING	
				ASSEMBLY CODE <b>044-S02</b>	

12 11 10 9 8 7 6 5 4 3 2 1

12 11 10 9 8 7 6 5 4 3 2 1

H  
G  
F  
E  
D  
C  
B  
A

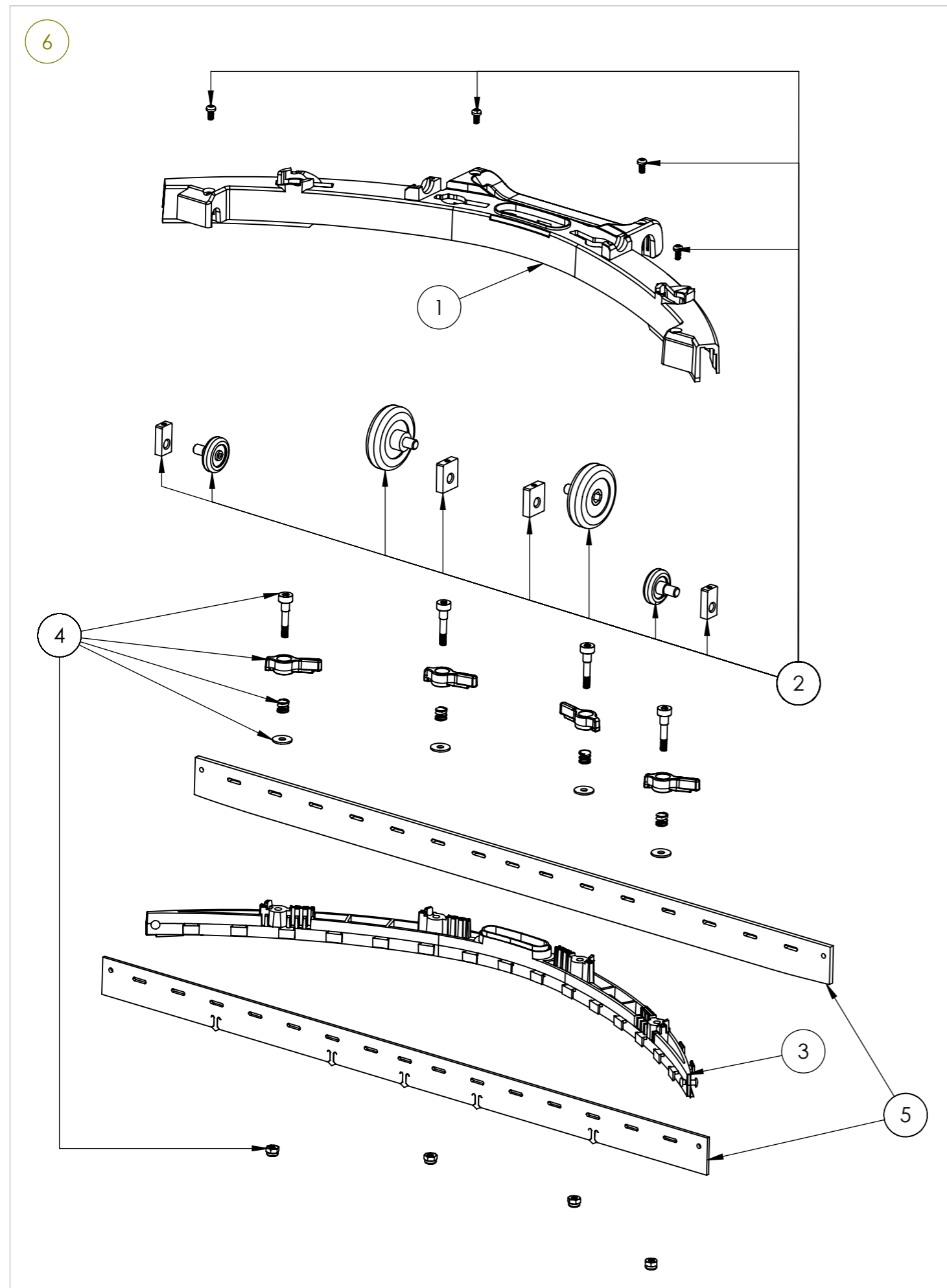
ITEM NO.	PART NUMBER	DESCRIPTION	QTY.	QTY as sold
1	044-S01	RECOVERY TANK ASSEMBLY	1	1
2	044-0005	RECOVERY TANK LID	1	1
3	044-0031	RECOVERY TANK INLET FILTER	1	1



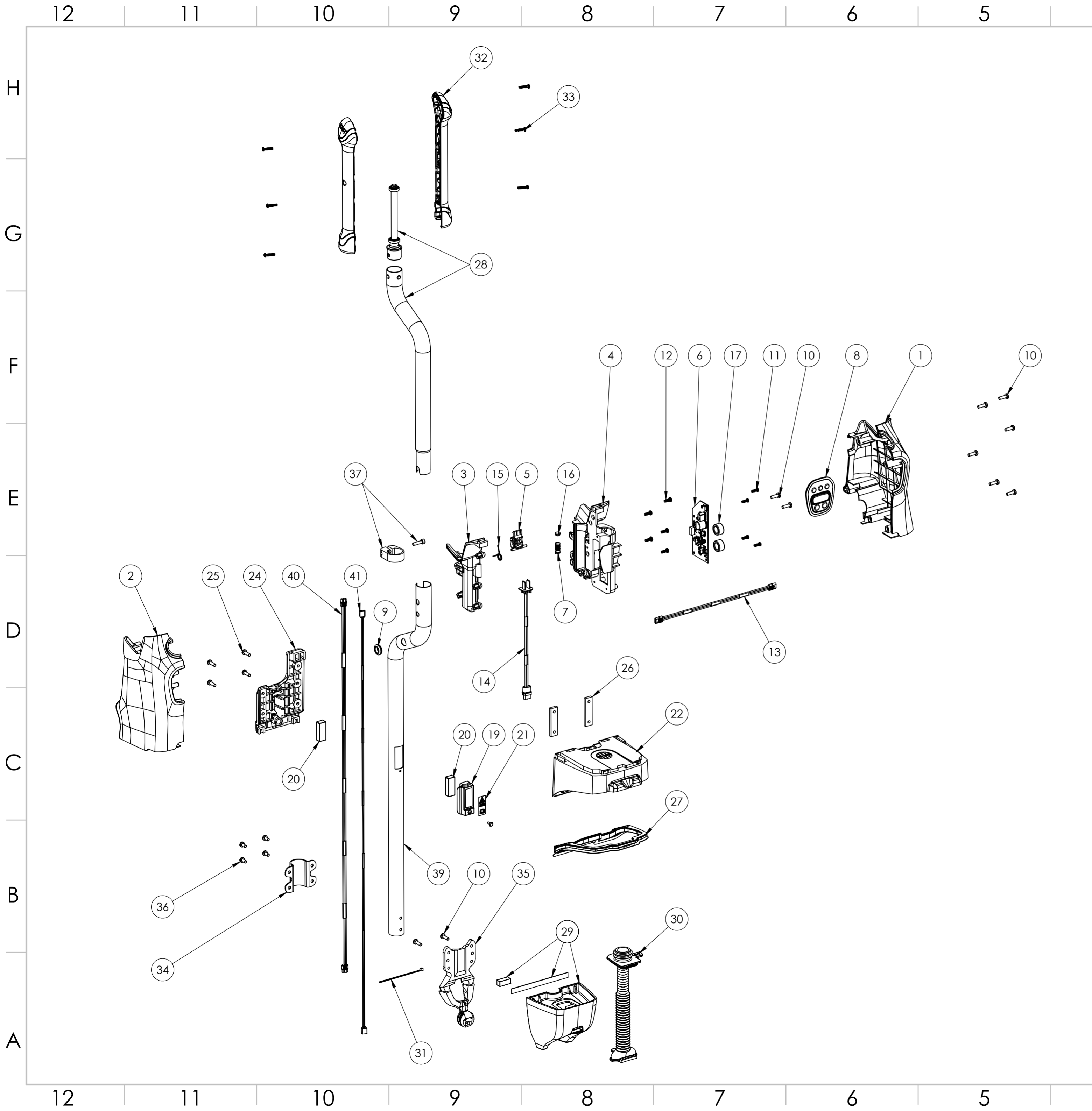
<small>PROPRIETARY AND CONFIDENTIAL The data and information disclosed on this drawing are the exclusive property of Dextron Technologies Limited and may be subject of UK and foreign patents and/or applications. Reproduction, copying, disclosure or use of this drawing data and information without the written permission of Dextron is strictly Prohibited. Copyrighted.</small>		<b>DEXTRON</b> <small>DEXTRON TECHNOLOGY LIMITED SHEFFIELD, UNITED KINGDOM</small>		<b>ASSEMBLY DESCRIPTION</b> RECOVERY TANK ASSEMBLY	
THIRD ANGLE PROJECTION		REVISION <b>REV.1.5</b>	RELEASE STATUS In Work	DRAWN 31/07/2024	NAME S.CARR
SCALE 1:5	PAGE SIZE A2	MASS 2790.61 (g)	DATE CHANGED 21/12/2024	CHANGED BY S.CARR	APPROVED NAME
				MACHINE DRYFT	DRAWING TYPE SPARE PARTS DRAWING
				ASSEMBLY CODE <b>044-S01</b>	

12 11 10 9 8 7 6 5 4 3 2 1

ITEM NO.	PART NUMBER	DESCRIPTION	QTY.	QTY as sold
1	002-0008	SQUEEGEE OUTER HOUSING	1	1
2	200-S05	DRYFT SQUEEGEE WHEEL KIT	1	1
3	002-0009	SQUEEGEE INTERNAL HOLDER	1	1
4	200-S17	WINGNUT KIT	4	1
5	200-S06	DRYFT SQUEEGEE KIT (LINATEX)	1	1
6	002-S03	SQUEEGEE BAR ASSEMBLY COMPLETE	1	1



<small>PROPRIETARY AND CONFIDENTIAL The data and information disclosed on this drawing are the exclusive property of Dextron Technologies Limited and may be subject of U.K. and foreign patents and/or applications. Reproduction, copying, disclosure or use of this drawing data and information without the written permission of Dextron is strictly Prohibited. Copyrighted.</small>		<b>DEXTRON</b> <small>DEXTRON TECHNOLOGY LIMITED SHEFFIELD, UNITED KINGDOM</small>		<b>ASSEMBLY DESCRIPTION</b> SQUEEGEE BAR ASSEMBLY						
				<b>MACHINE</b> DRYFT	<b>DRAWING TYPE</b> SPARE PARTS DRAWING					
<small>SCALE</small> 1:10	<small>PAGE SIZE</small> A3	<small>ALL DIMENSIONS IN mm UNLESS OTHERWISE STATED</small>	<small>MASS</small> 767.53 (g)	<small>REVISION</small> <b>REV.1 3.1</b>	<small>RELEASE STATUS</small> In Work	<small>DATE CHANGED</small> 21/12/2024	<small>CHANGED BY</small> S.CARR	<small>DRAWN</small> 13/06/2024	<small>NAME</small> D.TAYL	<small>ASSEMBLY CODE</small> <b>002-S03</b>
				<small>APPROVED</small>	<small>NAME</small>					



ITEM NO.	PART NUMBER	DESCRIPTION	QTY.
1	051-0001	ELECTRONICS HOUSING LH	1
2	051-0002	ELECTRONICS HOUSING RH	1
3	051-0004	ELECTRONICS CHASSIS RH	1
4	051-0003	ELECTRONICS CHASSIS LH	1
5	051-0005	BATTERY RELEASE CATCH	1
6	045-0001	MAIN PCB DRYFT V1	1
7	051-0007	BATTERY EJECTION SPRING	1
8	050-0001	CONTROL PANEL	1
9	041-0011	CABLE GROMMET DRYFT	1
10	100-0022	M5x16mm PLASTIC SCREW PAN TX20	10
11	100-0026	M4x12mm Plastic Screw PAN PZ2	4
12	100-0014	M4x12mm PLASTIC SCREW PAN TX20	5
13	045-0004	CABLE HARNESS - VACUUM MOTOR	1
14	045-0003	CABLE HARNESS - BATTERY	1
15	051-0006	BATTERY RELEASE CATCH SPRING	1
16	051-0009	BATTERY EJECTION SPRING CAP	1
17	045-0011	FN65 T 21*12*13 RING FERRITE	2
18	045-0012	FIBER WASHER M4	4
19	044-0018	RECOVERY TANK MAGNET HOUSING	1
20	044-0008	RECOVERY + CLEAN TANK MAGNET	2
21	045-0007	MAGNET WARNING LABEL	1
22	044-0006	RECOVERY TANK UPPER HOUSING	1
23	100-0021	4mm x 12.5mm SEALED BLIND RIVET ALUMINIUM	1
24	044-0007	RECOVERY TANK HOUSING BRACKET	1
25	100-0012	M5x16mm MACHINE SCREW PAN T25	4
26	044-0009	RECOVERY TANK HOUSING FIXING PLATE	2
27	044-0003	RECOVERY TANK SEAL	1
28	041-S03	UPPER SPYNE ASSEMBLY	1
29	200-S13	HOUSING SEAT TANK RECOVERY DRYFT KIT	1
30	002-0013	SUCTION HOSE	1
31	002-0063	CABLE TIE 2.5 x 100mm (GREY)	1
32	041-0002	SPIN HANDLE MOULDING 1 SIDE DRYFT	2
33	100-0030	M4*18MM PLASTIC SCREW PAN TX20	6
34	002-0038	BALL YOKE BACK PLATE	1
35	002-0017	BALL YOKE	1
36	100-0027	M5x10mm MACHINE SCREW PAN T25	4
37	041-0007	TUBE CLAMP	1
38	100-0028	M5x16mm CAP HEAD HEXAGON SOCKET DRIVE SCREW	1
39	041-0001	SPYNE HANDLE LOWER	1
40	045-0005	CABLE HARNESS - HEAD MOTOR PART 1	1
41	045-0007	CABLE HARNESS - SOLENOID PART 1	1

PROPRIETARY AND CONFIDENTIAL  
 The data and information disclosed on this drawing are the exclusive property of Dextron Technologies Limited and may be subject of UK and foreign patents and/or applications. Reproduction, copying, disclosure or use of this drawing data and information without the written permission of Dextron is strictly Prohibited. Copyrighted.

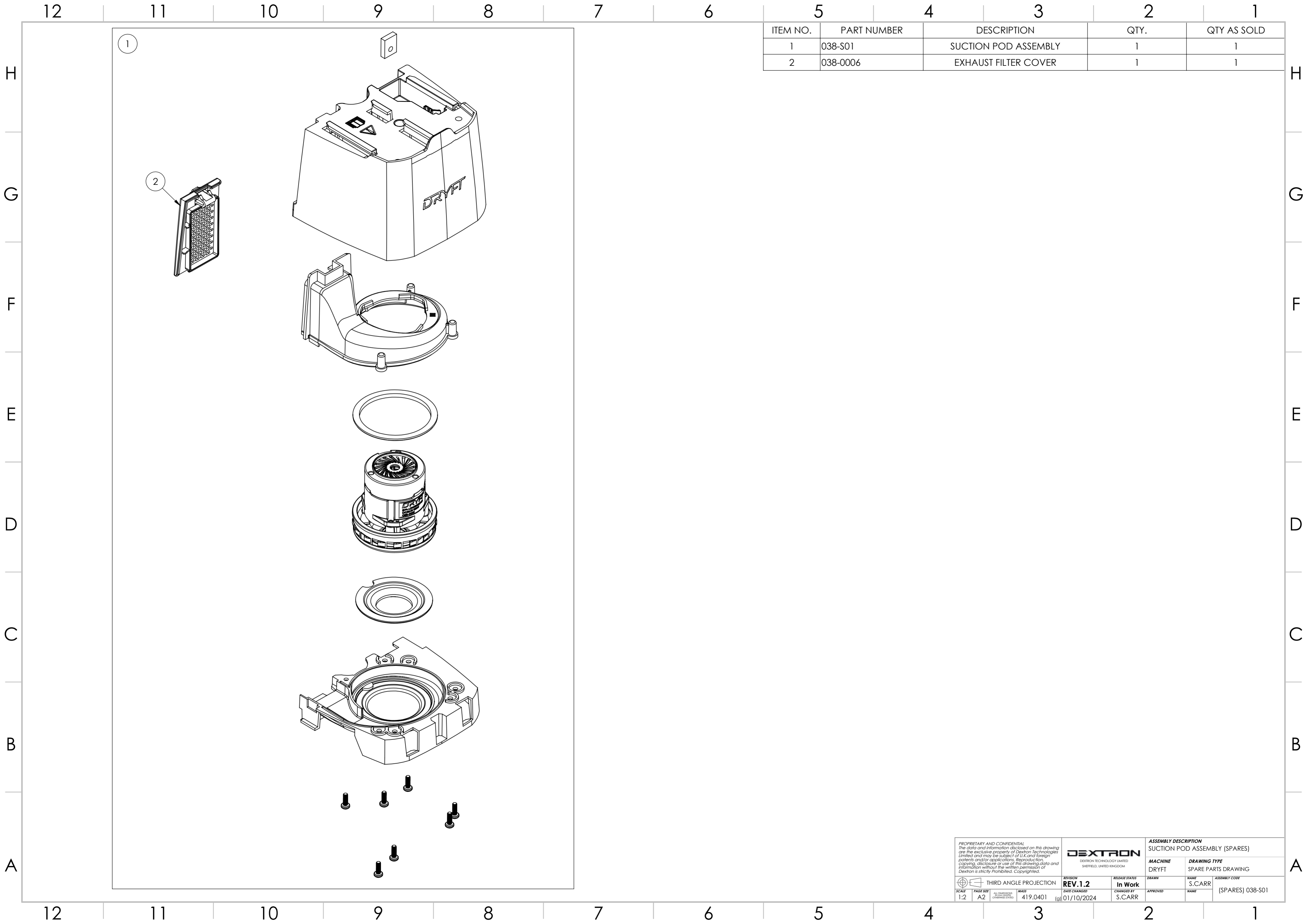
**DEXTRON**  
DEXTRON TECHNOLOGY LIMITED  
 SHEFFIELD, UNITED KINGDOM

**ASSEMBLY DESCRIPTION**  
 UPPER BODY ASSEMBLY SPARES

<b>MACHINE</b> DRYFT	<b>DRAWING TYPE</b> SPARE PARTS DRAWING
<b>REV. 1.1</b> DATE CHANGED	<b>IN WORK</b> CHANGED BY
<b>22/01/2025</b> APPROVED	<b>S.CARR</b> NAME
<b>040-S01</b> ASSEMBLY CODE	

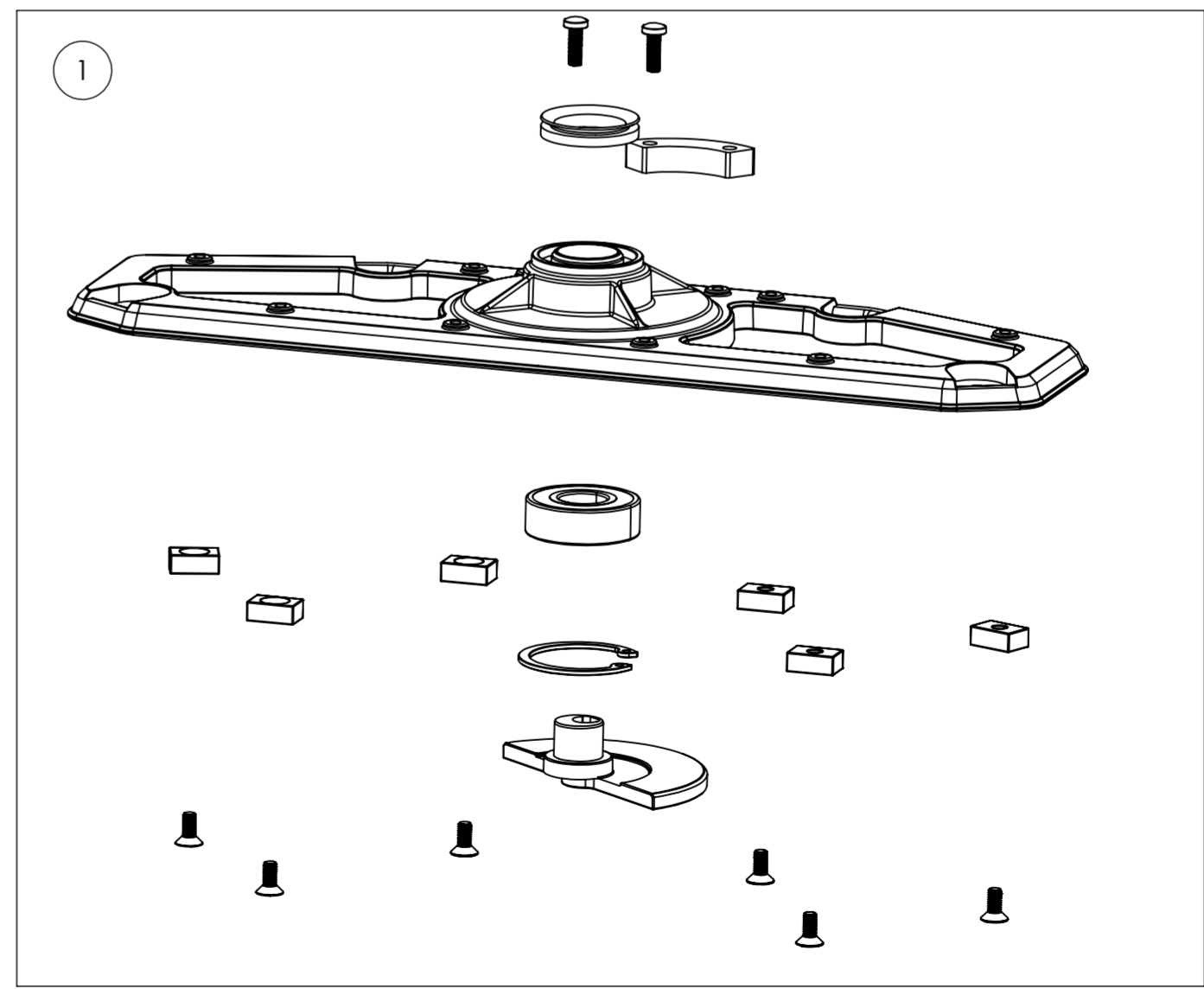
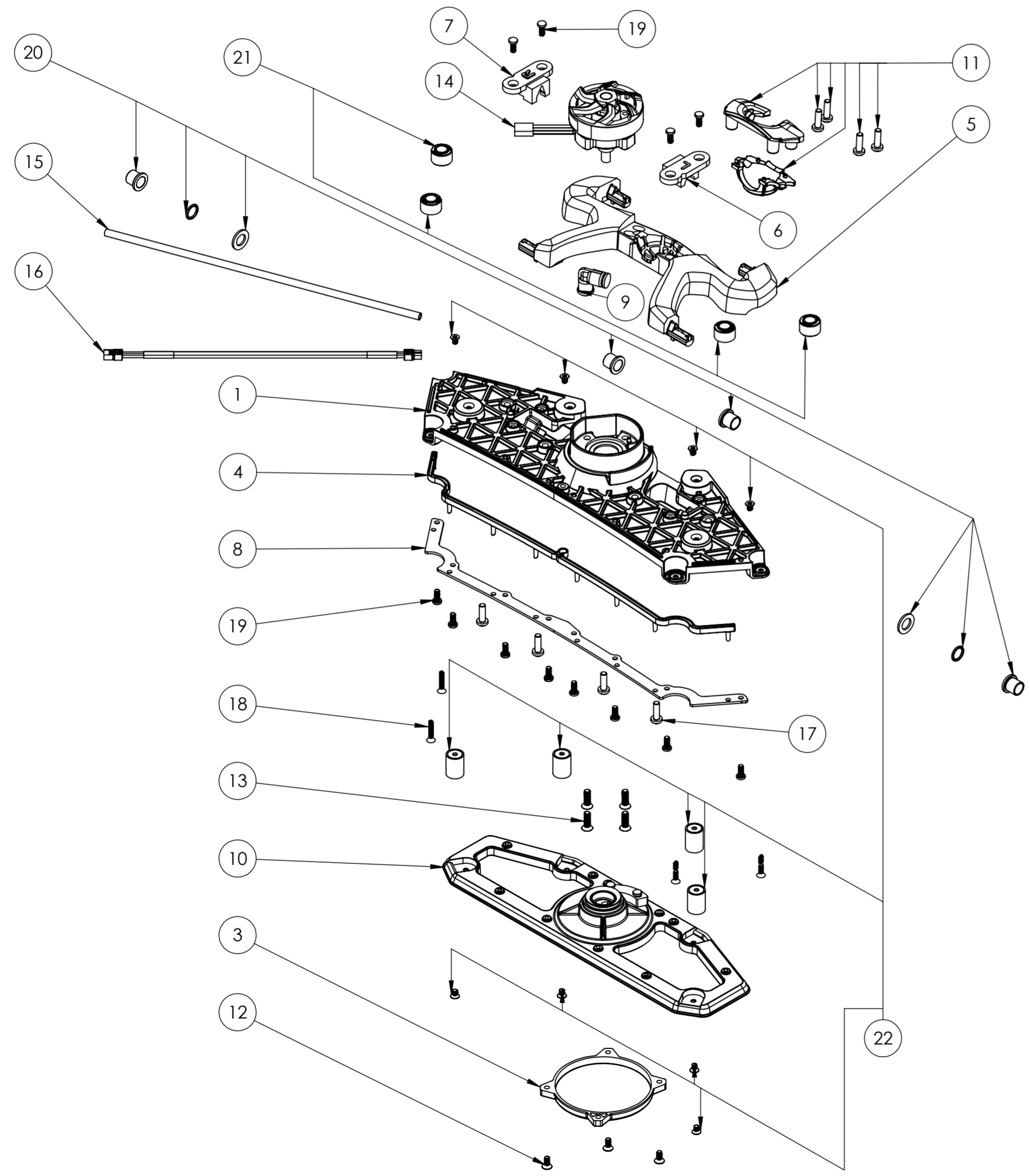
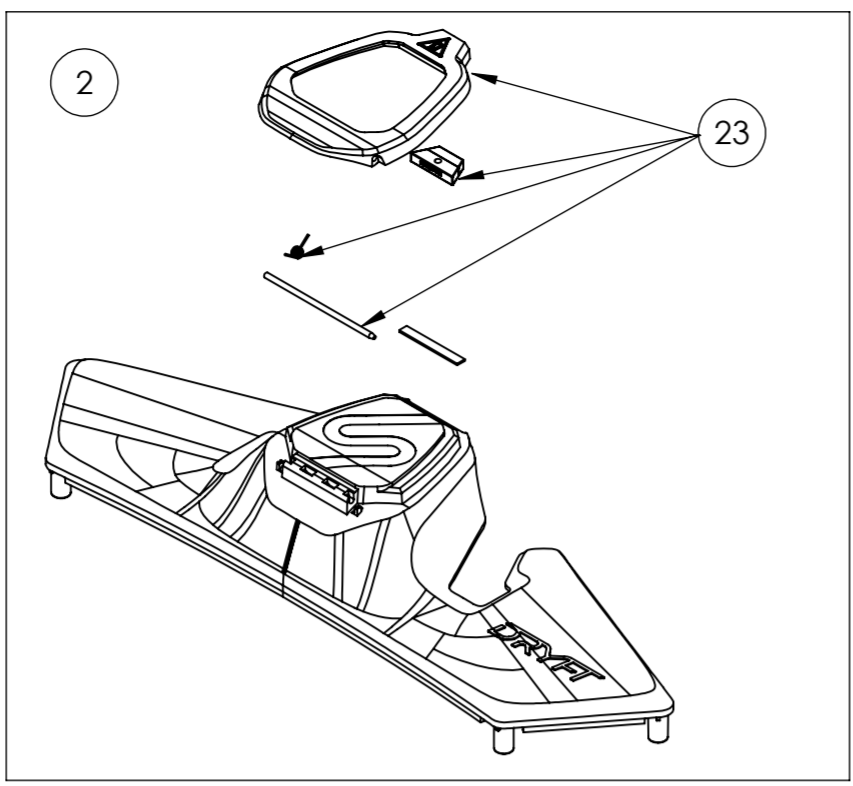
THIRD ANGLE PROJECTION

SCALE: 1:20    PAGE SIZE: A2    ALL DIMENSIONS UNLESS OTHERWISE STATED    MASS: 21904.33 (g)



ITEM NO.	PART NUMBER	DESCRIPTION	QTY.	QTY AS SOLD
1	038-S01	SUCTION POD ASSEMBLY	1	1
2	038-0006	EXHAUST FILTER COVER	1	1

<small>PROPRIETARY AND CONFIDENTIAL The data and information disclosed on this drawing are the exclusive property of Dextron Technologies Limited and may be subject of UK and foreign patents and/or applications. Reproduction, copying, disclosure or use of this drawing data and information without the written permission of Dextron is strictly Prohibited. Copyrighted.</small>		<b>DEXTRON</b> <small>DEXTRON TECHNOLOGY LIMITED SHEFFIELD, UNITED KINGDOM</small>		<b>ASSEMBLY DESCRIPTION</b> SUCTION POD ASSEMBLY (SPARES)	
<small>THIRD ANGLE PROJECTION</small>		<small>REVISION</small> <b>REV.1.2</b>	<small>RELEASE STATUS</small> <b>In Work</b>	<small>DRAWN</small> S.CARR	<small>DRAWING TYPE</small> SPARE PARTS DRAWING
<small>SCALE</small> 1:2	<small>PAGE SIZE</small> A2	<small>MASS</small> 419.0401	<small>DATE CHANGED</small> 01/10/2024	<small>CHANGED BY</small> S.CARR	<small>APPROVED</small> <small>NAME</small> (SPARES) 038-S01



ITEM NO.	PART NUMBER	DESCRIPTION	QTY.	QTY AS SOLD
1	002-0001	MOTOR CHASSIS	1	1
2	002-S20	DRYFT HEAD COVER + STAND FRAME ASSEMBLY	1	1
3	002-0004	COUNTERWEIGHT COVER	1	1
4	002-0006	WATER RELEASE CHANNEL	1	1
5	002-0015	SPYDR CHASSIS	1	1
6	002-0020	FRONT SPYDR CLAMP LH	1	1
7	002-0021	FRONT SPYDR CLAMP RH	1	1
8	002-0027	WATER RELEASE CHANNEL PLATE	1	1
9	002-0050	PUSH FITTING 90 ELBOW 6mm TO M	1	1
10	002-S02	OSCILLATING ASSEMBLY	1	1
11	002-S14	SPYDR BALL SOCKET KIT	1	1
12	011-0060	M4x10mm MACHINE SCREW CSK TX20	4	1
13	011-0061	M5x16mm MACHINE SCREW SK TX25	5	1
14	042-0001	12V DIGITAL HEAD MOTOR	1	1
15	044-0030	6MM PU WATER HOSE DRYFT 290mm	1	1
16	045-0006	WIRING HARNESS - HEAD MOTOR PART 2	1	1
17	100-0022	M5x16mm PLASTIC SCREW PAN TX20	4	1
18	100-0023	M4x16mm Plastic Screw CSK TX20	4	1
19	100-0008	M4x10mm MACHINE SCREW PAN TX20	12	1
20	200-S02	DRYFT SPYDR BUSH KIT	1	1
21	200-S03	CORNER WHEEL KIT	1	1
22	200-S04	OSCILLATING STABILISER KIT	1	1
23	200-S09	STAND FRAME + MAGNET KIT	1	1

<small>PROPRIETARY AND CONFIDENTIAL The data and information disclosed on this drawing are the exclusive property of Dextron Technologies Limited and may be subject of UK and foreign patents and/or applications. Reproduction, copying, disclosure or use of this drawing data and information without the written permission of Dextron is strictly Prohibited. Copyrighted.</small>		<b>DEXTRON</b> <small>DEXTRON TECHNOLOGY LIMITED SHEFFIELD, UNITED KINGDOM</small>		<b>ASSEMBLY DESCRIPTION</b> HEAD ASSEMBLY (SPARES)	
<small>THIRD ANGLE PROJECTION</small>		<small>REVISION</small> <b>REV.1.2</b>	<small>RELEASE STATUS</small> <b>In Work</b>	<small>DRAWN</small> 22/10/2024	<small>DRAWING TYPE</small> SPARE PARTS DRAWING
<small>SCALE</small> 1:10	<small>PAGE SIZE</small> A2	<small>DATE CHANGED</small> 22/01/2025	<small>CHANGED BY</small> S.CARR	<small>APPROVED</small>	<small>ASSEMBLY CODE</small> (SPARES)002-S01