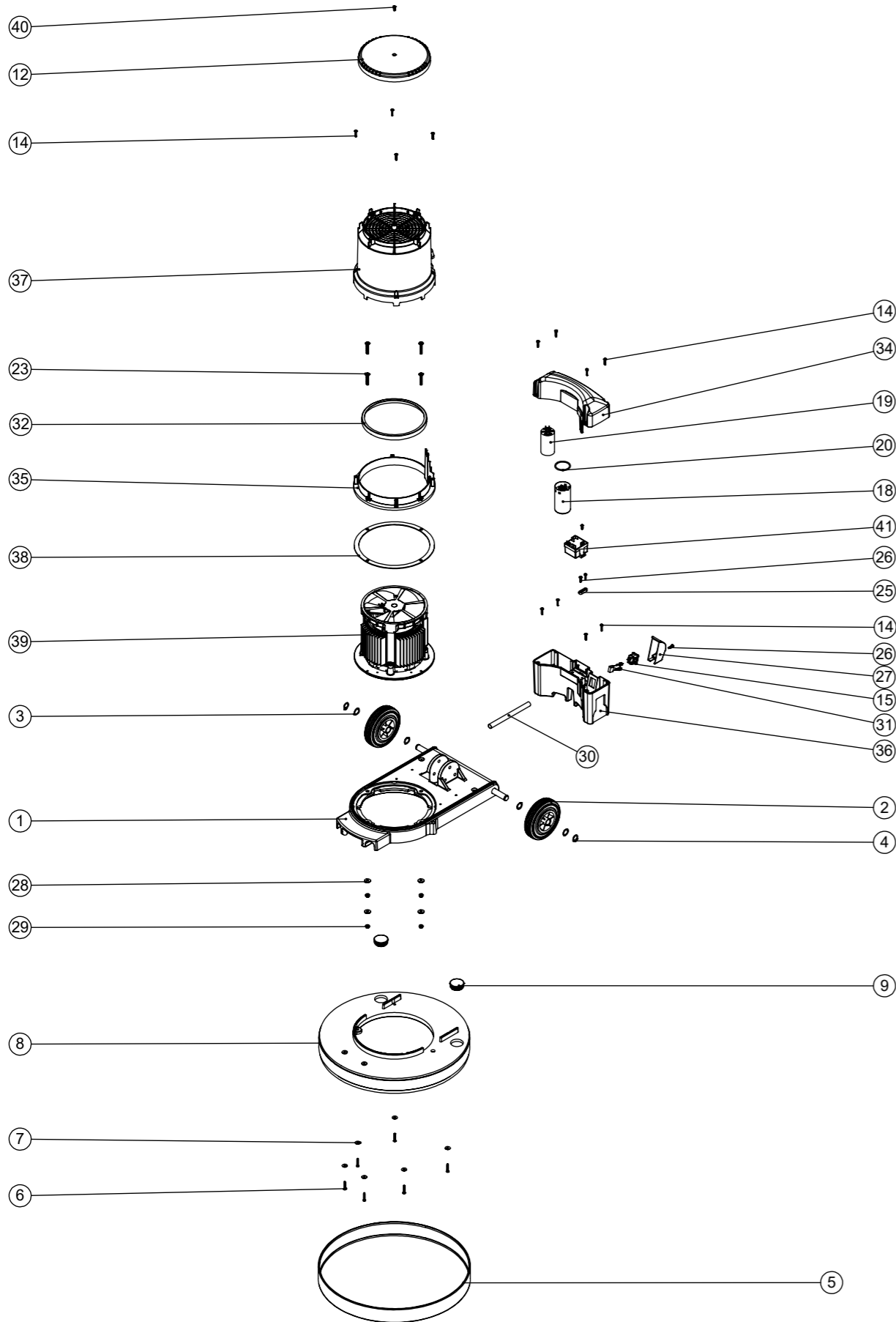


Numatic International Spare Parts

Model No: HFM 1515/1523/1530 EXPLODED DRAWING ASSEMBLY

234894
DRAWING: DRW-12020 ISS:A13
12/02/2024

NB: FOR WIRING SEE DRAWING: DRW-21894 / DRW-40179



Numatic International Spare Parts

Model No: HFM 1515/1523/1530 EXPLODED DRAWING ASSEMBLY

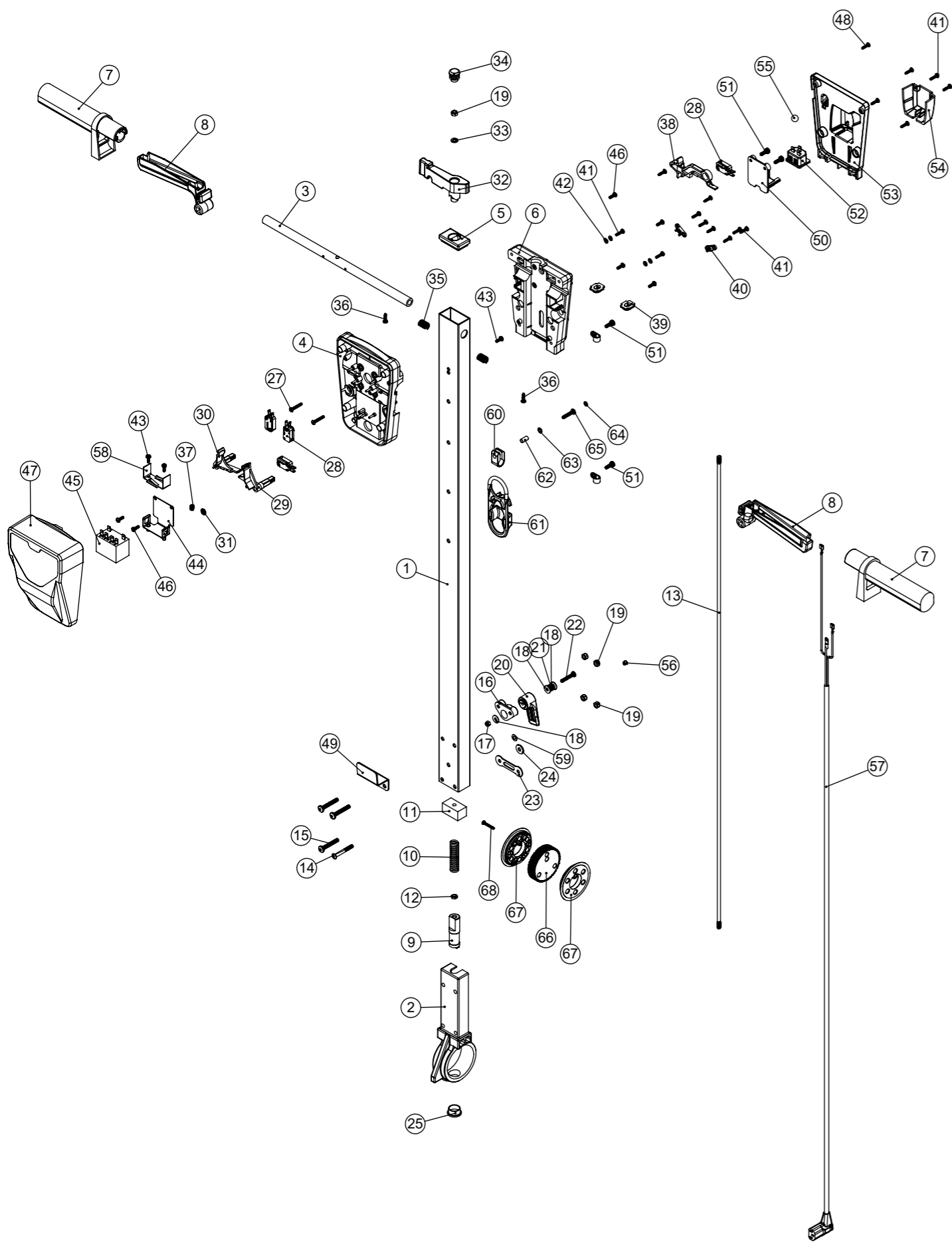
ITEM NO.	PART NO.	DESCRIPTION	Comments	Default/QTY.
1	304260	MULTIDECK BASE MOULDING SUB ASSY	UPDATED, ITEM227557 ADDED	1
2	229060	WHEEL GREY BLACK HUB		2
3	219219	21.5MM X 16.3MM WAVE WASHER		4
4	229051	EXTERNAL CIRCLIP		2
5	206466	MEDIUM RING BUFFER 1300 GREY (RAL 7042)	G - RANGE USE 206478	1
6	219369	No8 X 1 INCH LONG POZI PAN STAINLESS STEEL PLASTITE SCREW		6
7	219644	M5 FORM G STAINLESS STEEL WASHER		6
8	330010	DECK MOD (Y SYSTEM)	G - RANGE USE 329072	1
9	229400	BLACK END STOP		2
34	237505	HFM CAPACITOR BOX TOP MOULDING (BLUE)	G - RANGE USE 905782	1
35	237500	BOTTOM SECTION MOULDING (BLUE)	G - RANGE USE 905781	1
12	237503	HFM LID MOULDING (HFM)		1
13	219318	No6 X 1/2 INCH LONG POZI PAN PLASTITE SCREW (Z/PL)		1
14	219568	NO8.3/4 INCH LG.POZI-PAN.SCREW.STAINLESS STEEL.PLASTITE		12
15	220584	RENDAR CLIP IN PLUG		1
40	219471	M4 X 12MM LONG POZI PAN SEMS SCREW		1
18	205088	MOTOR START CAPACITOR 150MFD 280V C/W 39K RESISTOR AND M8 STUD		1
19	220897	MOTOR RUN CAPACITOR 25 MFD 450V		1
20	208534	O RING 39.5MM ID x 3 DIA		1
36	330081	HFM CAPACITOR BOX BOTTOM MOULDING C/W INSERT	G - RANGE USE 905793	1
41	902715	SINGLE SPEED RELAY 230V, RVA6N0D		1
23	219643	M6 X 35MM LONG STAINLESS STEEL POZI PAN SCREW		4
37	330082	HFM MID SECTION MOULDING PRINTED (1500W) (BLUE)	G - RANGE USE 905780	1
25	227008	BLACK CABLE CLAMP		1
26	219914	NO6 X 5/8 INCH LONG POZI-PAN PLASTITE STAINLESS STEEL SCREW		3
27	229213	PLUG COVER		1
28	219647	M6 FORM G STAINLESS STEEL WASHER		4
29	219642	M6 STAINLESS STEEL NYLON INSERT HALF NUT		4
30	330086	MOTOR WIRE SLEEVE		1
31	230136	SUPPRESSOR ASSEMBLY		1
32	237412	HFM TOP MOTOR GASKET		1
38	906405	HFM MOTOR SPLASH GUARD		1
39	205202	INDUCTION MOTOR 4-POLE 1500W 220-240V 50Hz		1
	908022	FIR R60 INDUCTION MOTOR 2100/1500W 230V 50Hz		1
	914838	230V.50HZ.1500W 4 POLE INDUCTION MOTOR (OLYMPIA PUMPS SRL MOTOR)		1

Numatic International Spare Parts

Model No: HFM HANDLE EXPLODED DRAWING

NB: FOR WIRING SEE DRAWING: DRW-11789

Internal Code: 234899
DRAWING: DRW-12376 ISS:A19
01/03/2022



Numatic International Spare Parts

Model No: HFM HANDLE EXPLODED DRAWING

ITEM:	PART No:	DESCRIPTION	FMH HENRY MODEL USE	GREY VERSION	QTY.
1	429136	HFM HANDLE TUBE PAINTED (1025mm)			1
2	900398	HANDLE CASTING MACHINED (HNS VERSION)			1
3	338269	CROSS TUBE			1
4	227576	FRONT INNER HALF MOULDING	237542		1
5	903546	HANDLE PLUG MOULDING (RED)		227582	1
6	229509	REAR INNER HALF MOULDING (FR)	237543		1
7	227580	HAND GRIP MOULDING	237544		2
8	903547	TRIGGER MOULDING (RED)		227581	2
9	229073	GEAR LOCKING PIN			1
10	229138	SPRING			1
11	229030	ANTI VIBRATION PAD			1
12	219099	M6 HALF NUT			1
13	208432	1035MM HANDLE LOCKING ROD			1
14	219881	M6 X 45MM SOCKET BUTTON HEAD SCREW			1
15	902522	M6 X 40MM LONG SOCKET BUTTON HEAD STAINLESS STEEL BOLT			3
16	903882	CABLE RELEASE BASE MOULDING RED		227806	1
17	219076	M5 NYLON INSERT NUT			1
18	219644	M5 FORM G STAINLESS STEEL WASHER			3
19	219642	M6 STAINLESS STEEL NYLON INSERT NUT			5
20	903883	CABLE RELEASE TOP MOULDING RED		227807	1
21	206599	SPRING (REF:C5514370)			1
22	219720	M5 X 30MM LONG STAINLESS STEEL POZI PAN SCREW			1
23	229139	CABLE CLAMP			1
24	219647	M6 FORM G STAINLESS STEEL WASHER			1
25	229099	25MM DIA HOLE PLUG			1
26	219393	P CLIP			2
27	219369	No8 X 1 INCH LONG POZI PAN STAINLESS STEEL PLASTITE SCREW			2
28	229483	SNAP ACTION SWITCH			4
29	227585	LEFT HAND SWITCH OPERATING LEVER MOULDING			1
30	227586	RIGHT HAND SWITCH OPERATING LEVER MOULDING			1
31	219805	4MM SPIREFIX			1
32	903545	ADJUSTMENT LEVER MOULDING (RED)		227583	1
33	219493	M6 NYLON WASHER			1
34	20638V	19MM BLACK TUBE END STOP			1
35	219803	TRIGGER COMPRESSION SPRING			2
36	219036	No8 X 5/8 INCH LONG POZI PAN SELF TAPPING SCREW			2
37	219804	SWITCH COMPRESSION SPRING			1
38	227584	INTERLOCK LEVER MOULDING			1
39	237467	BLANKING PLUG WITH HOLE			2
40	229669	LOLINE HANDLE CABLE CLAMP			2
41	219914	NO6 X 5/8 INCH LONG POZI-PAN PLASTITE STAINLESS STEEL SCREW			8
42	219688	M4 FORM A STAINLESS STEEL WASHER			4
43	219471	M4 X 12MM LONG POZI PAN SEMS SCREW			3
44	303526	NUTSERTED RELAY MOUNTING BRACKET			1
45	206575	240V / 25A RELAY			1
46	219569	No8 X 1/2 INCH LONG POZI PAN STAINLESS STEEL PLASTITE SCREW			6
47	229679	TRADELINE TWINTEC HANDLE FRONT COVER MOULDING	237547		1
48	219370	No8 X 5/8 INCH LONG PLASTITE STAINLESS STEEL SCREW			8
49	329000	HANDLE BRACKET			1
50	237425	PTO SUPPORT MOULDING			1
51	219045	M5 X 16MM LONG POZI PAN SEMS SCREW			4
52	220964	APPLIANCE OUTPUT SOCKET			1
53	237426	FM REAR COVER MOULDING	237545		1
54	237427	FM PLUG COVER MOULDING	237546		1
55	229050	12MM (STAINLESS STEEL) BALL BEARING			1
56	229009	BLANKING PLUG			1
57	236161	HFM HANDLE CORD SET ASSEMBLY			1
58	206500	RELAY BRACKET			1
59	219560	M6 FORM B STAINLESS STEEL WASHER			1
60	219743	CABLE CLEAT			1
61	902312	CABLE STRESS RELIEF			1
62	903192	SPIROL SPACER SP100 5MM NOM ID x 14MM			1
63	219355	M5 FORM A STAINLESS STEEL WASHER			1
64	219016	M5 SHAKEPROOF WASHER			1
65	219575	M5 X 25MM LONG POZI PAN STAINLESS STEEL SCREW			1
66	900397	MINI ADJUSTMENT GEAR			1
67	900396	ADJUSTMENT GEAR SPACER			2
68	291150	NO6 X 1 INCH LONG POZI PAN SCREW S/S			1

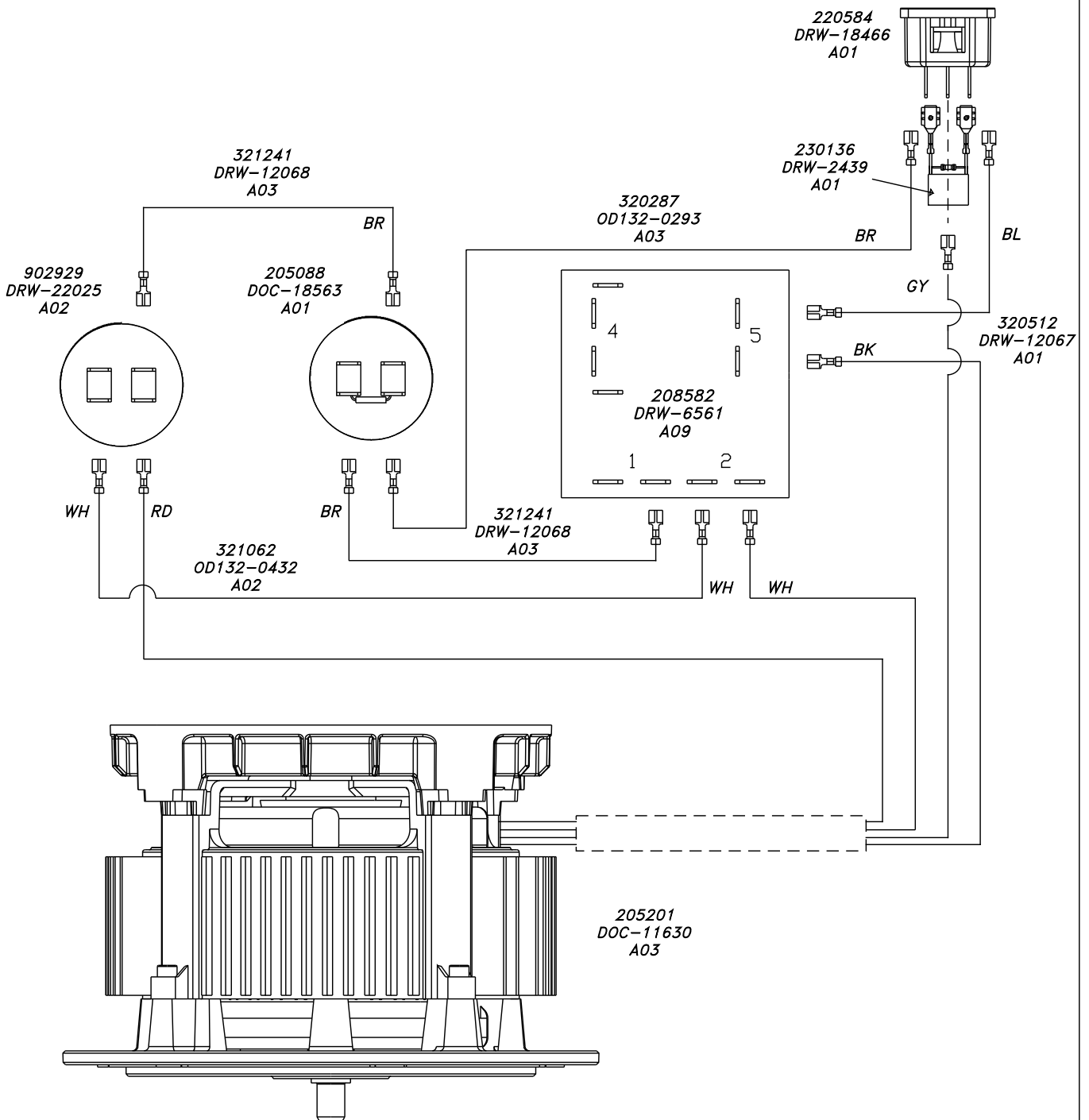
WIRING DIAGRAM

COMP. No
123384

DRG. No
DRW-11701

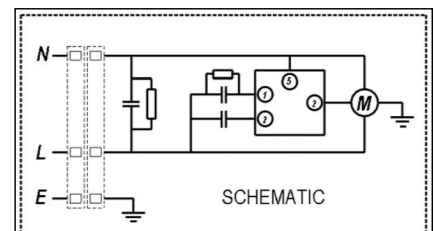
WIRING DIAGRAM.FLOORCARE.1S.3W.220.50.B.PLG

ISSUE	REVISION	DRAWN	APPD.	DATE
A09	DRAWING UPDATED TO LATEST SPECIFICATION & RUN CAPACITOR UPDATED TO 902929	AM	MB	05:05:16



KEY: WIRE COLOURS

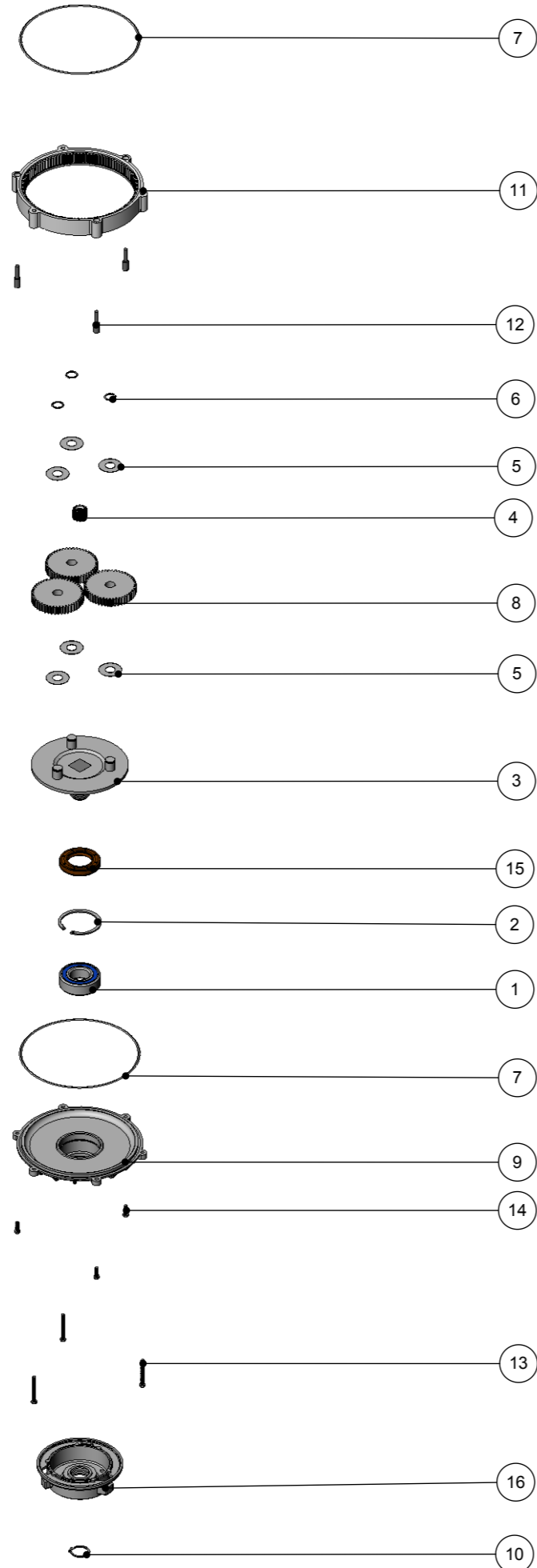
- BK - BLACK
- BL - BLUE
- BR - BROWN
- GR - GREEN
- GY - GREEN/YELLOW
- OR - ORANGE
- RD - RED
- SL - SLATE
- WH - WHITE
- YL - YELLOW
- P - PURPLE



Numatic International Spare Parts

Model No: HFM, NPR & NR RANGE GEARBOX EXPLODED DRAWING (ALL SPEEDS)

233756
DRAWING: DRW-4439 ISS:A04
22/10/13



Numatic International Spare Parts

Model No: HFM, NPR & NR RANGE GEARBOX EXPLODED DRAWING (ALL SPEEDS)

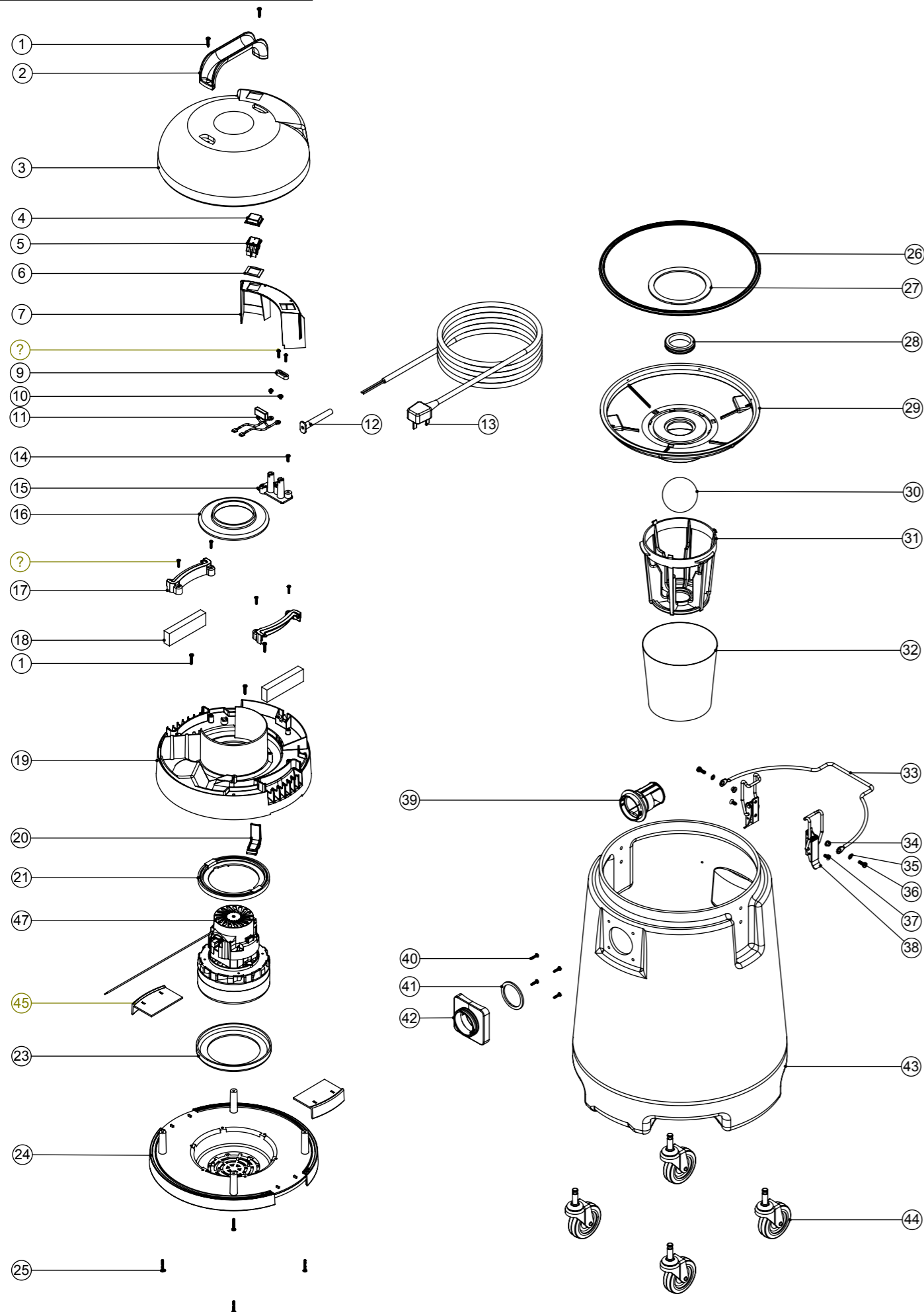
POS:	ITEM NO:	DESCRIPTION:	COMMENTS:
1	230094	62MM O/D X 30MM I/D X 20MM BEARING (WITH SEALS)	
2	230200	62MM INTERNAL CIRCLIP	
3	230291	PLANET CARRIER & PIN ASSEMBLY (50HZ STANDARD SPEED)	HFM/NPR 1515/S & NR 1500S
	230292	PLANET CARRIER & PIN ASSEMBLY (60HZ HIGH SPEED)	HFM/NPR 1523/M, NPR1545/X, NR 1500M & NRS450
	230294	PLANET CARRIER & PIN ASSEMBLY (HIGH SPEED)	HFM/NPR 1530/H & NR1500H
4	230027	12 TOOTH PINION GEAR (STANDARD SPEED)	HFM/NPR 1515/S & NR 1500S
	230025	20 TOOTH PINION GEAR (50HZ MEDIUM/60HZ HIGH SPEED)	HFM/NPR 1523/M, HFM/NPR 1545/X, NR 1500M & NRS450
	230028	24 TOOTH PINION GEAR (HIGH SPEED)	HFM/NPR 1530/H & NR1500H
5	230215	35MM X 15 I/D ALUMINIUM WASHER	
6	230015	15MM EXTERNAL CIRCLIP	
7	230001	V OIL SEAL	
8	230013	48 TOOTH SPUR GEAR(STANDARD SPEED 50/60HZ)	HFM/NPR 1515/S & NR 1500S
	230026	44 TOOTH SPUR GEAR (50HZ MEDIUM/60HZ HIGH SPEED)	HFM/NPR 1523/M, HFM/NPR1545/X, NR 1500M & NRS450
	230014	42 TOOTH SPUR GEAR (HIGH SPEED 50HZ)	HFM/NPR 1530/H & NR1500H
9	230226	DIE CAST BOTTOM PLATE ASSEMBLY	
10	230048	26MM EXTERNAL CIRCLIP	
11	214115	GEAR BOX MID SECTION	
12	208207	GEARBOX FASTENER WITH SLOT	
13	219706	M5 X 45MM LONG STAINLESS STEEL HEXAGONAL BOLT	
14	219904	M5 X 16MM LONG HEXAGONAL STAINLESS STEEL BOLT	
15	230158	VITON OIL SEAL (BROWN)	
16	330024	DIE CAST CHUCK MACHINED & PROCESSED	

Numatic International Spare Parts

Model No: WV800-2 EXPLODED DRAWING

234368
DRAWING: EXP-0799 ISS:A03
07/03/2011

NB: FOR WIRING SEE DRAWING: WD-0239



Numatic International Spare Parts

Model No: WV800-2 EXPLODED DRAWING

POS	ITEM:	DESCRIPTION	COMMENTS
1	219041	No8 X 3/4 INCH LONG POZI PAN SCREW	
2	206451	HANDLE	
3	227919	SWITCH COVER TOP	
4	206573	SWITCH COVER (PLUG HANDLE)	
5	220843	BLUE ROCKER SWITCH	
6	291015	SWITCH GASKET - WV/CT	
7	227927	SWITCH MOUNTING BRACKET	
8	219107	No6 X 5/8 INCH LONG POZI PAN PLASTITE SCREW	
9	227008	BLACK CABLE CLAMP	
10	219090	M4 X 8MM LONG POZI PAN SEMS SCREW	
11	220698	SUPPRESSOR ASSEMBLY	
12	220923	STRESS RELIEF	
13	236033	10.0M X 1.00MM X 2 CORE CABLE (UK PLUG)	
	236034	10.0M X 1.00MM X 2 CORE CABLE (EURO PLUG)	
	236044	10.0M X 1.00MM X 2 CORE CABLE (AUSTRALIAN CABLE)	
	220462	8.4M X 1.00MM X 2 CORE CABLE (SOUTH AFRICAN PLUG)	
14	219101	No8 X 1/2 INCH LONG POZI PAN PLASTITE SCREW	
15	220472	TERMINAL BLOCK MOULD + INSERTS	
16	227926	AIR SEPERATOR	
17	237184	SPLASH PAD RETAINER - WV/CT	
18	291014	SPLASH PAD - WV/CT	
19	325512	TOP MOTOR HOUSING (PRINTED GREY NUMATIC)	
20	227019	CABLE HOOK	
21	227925	TOP MOTOR GASKET	
	205442	220V 2 STAGE D.I BYPASS ACUSTEK MOTOR (BL21102T) (MARKED 230V) TCO	
	205441	120V 2 STAGE D.I BYPASS ACUSTEK MOTOR (BL21101T) TCO	
22	206018	TOGGLE LOCATION MOULDING	
23	202031	BOTTOM MOTOR GASKET	
24	227921	BOTTOM MOTOR HOUSING	
25	219369	No8 X 1 INCH LONG POZI PAN STAINLESS STEEL PLASTITE SCREW	
26	207011	FLOAT CAGE GASKET	
27	225083	FLOAT ASSEMBLY GASKET	
28	220235	FLOAT GROMMET	
29	229635	FLOAT CAGE SUPPORT	
30	206026	POLYPROP BALL	
31	225086	FLOAT CAGE	
32	207055	GAUZE FILTER	
33	418738	HANDLE (PAINTED BLACK)	
34	208025	SPACER BUCKET HANDLE	
35	219003	M5 FORM A STEEL WASHER	
36	219045	M5 X 16MM LONG POZI PAN SEMS SCREW	
37	219330	M5 X 12MM LONG POZI PAN COUNTERSUNK SCREW	
38	206135	TOGGLE FASTENER	
39	206493	WET DRY CONNECTOR	
40	219370	No8 X 5/8 INCH LONG PLASTITE STAINLESS STEEL SCREW	
41	202027	HOSE FLANGE GASKET	
42	270161	FLANGE NECK BAYONET	
43	325800	PROCESSED 800 DRUM (NATURAL)	
	325666	PROCESSED 800 DRUM (LIGHT BLUE)	
	325738	PROCESSED DRUM FOR LARGE DRAIN HOSE (LIGHT BLUE)	
44	204060	3 INCH CASTOR	
47	205443	230V 2 STAGE D.I BYPASS ACUSTEK MOTOR (BL21104T) (MARKED 230V) TCO	1

500925 Behälter für WV-800, blau Komplett ohne Räder

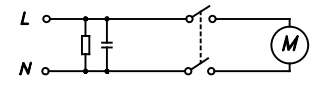
WIRING DIAGRAM

Comp. No
915340

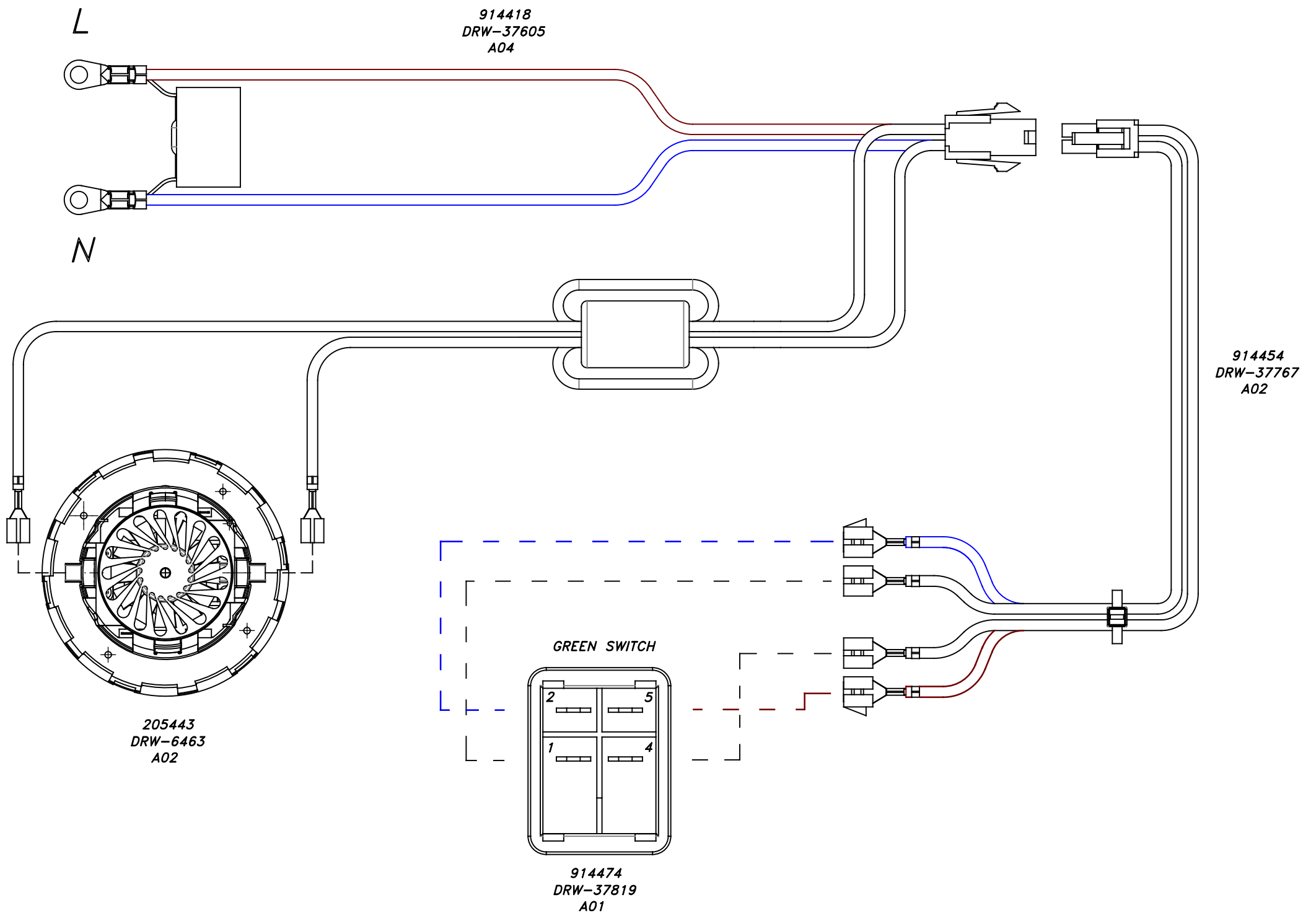
DRG. No
DRW-39160

WIRING DIAGRAM.VACUUM.1S.2W.230.2SBPS.1200.1.12.PLG

ISSUE	REVISION	DRAWN	APPD.	DATE
A02	LOOM 914418 NOW A04.	AM	MB	02/11/2022



SCHEMATIC



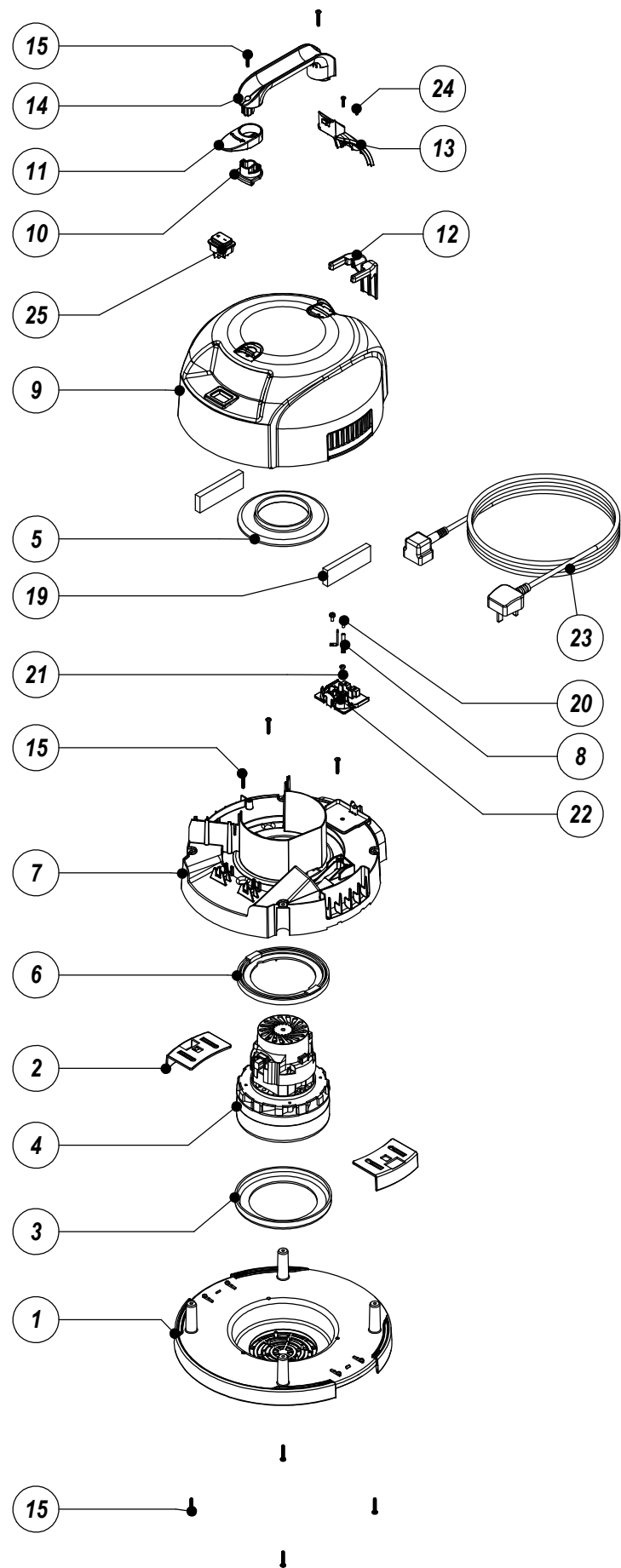
Numatic International Spare Parts

Model No: HEAD STYLE 50 - WITHOUT PUMP EXPLODED DRAWING

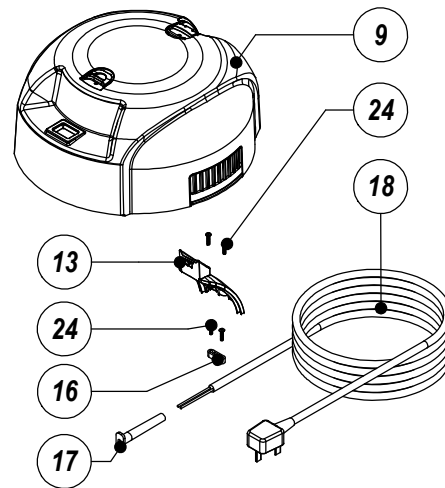
918491
15/11/2023

DRAWING: DRW-37773

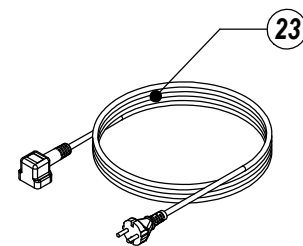
ISS:A01



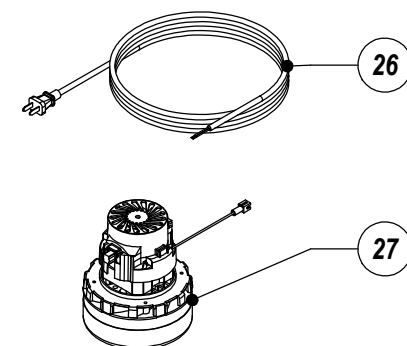
HARD WIRED VARIANT



V30 VARIANT



V45 VARIANT



NB: FOR WIRING SEE DRAWINGS - DRW-39160 (230V) / DRW-39161 (100V)

Numatic International Spare Parts

Model No: HEAD STYLE 50 - WITHOUT PUMP EXPLODED DRAWING

ITEM NO.	PART NUMBER	DESCRIPTION	Charles (Plugged)	Charles (Hardwired)	CVC370	CVC Plugged
			V16/ QTY	V16/ QTY	V45/ QTY	V30/ QTY
1	914239	12" WET VAC BOTTOM MOTOR HOUSING	1	1	1	1
2	237115	NRV HARD EDGE TOGGLE	2	2	2	2
3	202031	MOTOR BOTTOM GASKET	1	1	1	1
4	205443	230V 2 STAGE D.I BYPASS ACUSTEK MOTOR (BL21104T) (MARKED 230V) TCO	1	1	-	1
5	227926	AIR SEPERATOR	1	1	1	1
6	227925	TOP MOTOR GASKET (AMETEK BYPASS MOTOR)	1	1	1	1
7	914237	12" WET VAC TOP MOTOR HOUSING	1	1	1	1
8	206562	CONTACT PIN	2	-	-	2
9	914234	12" WET VAC COVER	1	-	-	1
	914233	12" WET VAC COVER	-	1	1	-
10	906072	CABLE MANAGEMENT HANDLE - LOWER HOUSING	1	1	1	1
11	906073	CABLE MANAGEMENT HANDLE - SWIVEL LOCK	1	1	1	1
12	914243	12" WET VAC CABLE HOOK	1	1	1	1
13	914241	12" WET VAC PLUG COVER	1	-	-	1
	914242	12" WET VAC PLUG COVER	-	1	1	-
14	914240	12" WET VAC HANDLE	1	1	1	1
15	219369	No8 X 1 INCH LONG POZI PAN STAINLESS STEEL PLASTITE SCREW	9	9	9	9
16	227008	BLACK CABLE CLAMP	-	1	1	-
17	220923	STRESS RELIEF	-	1	1	-
18	236033	10.0M X 1.00MM X 2 CORE CABLE (UK PLUG)	-	1	-	-
19	914401	BYPASS SIDE EXHAUST FOAM	2	2	2	2
20	291151	M4 X 10MM LONG T20 SEMS SCREW Z/PL - PRODUCT CODE 8.8 - TX20 HEAD	2	2	2	2
21	291152	NO8.1/2 INCH LG.T20.SCREW.Z/PL.PLASTITE	1	1	1	1
22	914402	12" WET VAC TERMINAL BLOCK SUB ASSEMBLY	1	1	1	1
23	236009	10 METRE X 1MM X 2 CORE CABLE BLACK (SOCKET + UK PLUG)	1	-	-	-
	236123	MAINS CABLE 10.0MT X 1.0MM X 2 CORE YELLOW CABLE (SOCKET + PLUG) EURO	-	-	-	1
24	219914	NO6.5/8 INCH LG.POZI-PAN.SCREW.STAINLESS STEEL.PLASTITE	2	4	4	2
25	914474	GREEN / BLACK EVEREL (NON ILLUMINATED) 125V / 250V ON/OFF ROCKER SWITCH	1	1	1	1
26	236101	10M X 2 CORE X 1.25MM VCTF CABLE (JAPAN)	-	-	1	-
27	915592	100V 2 STAGE D.I BYPASS ACUSTEK MOTOR (BL21100T) (205440) PROCESSED WITH FEMALE MATE N LOCK RECEPTICAL HOUSING & CRIMP	-	-	1	-