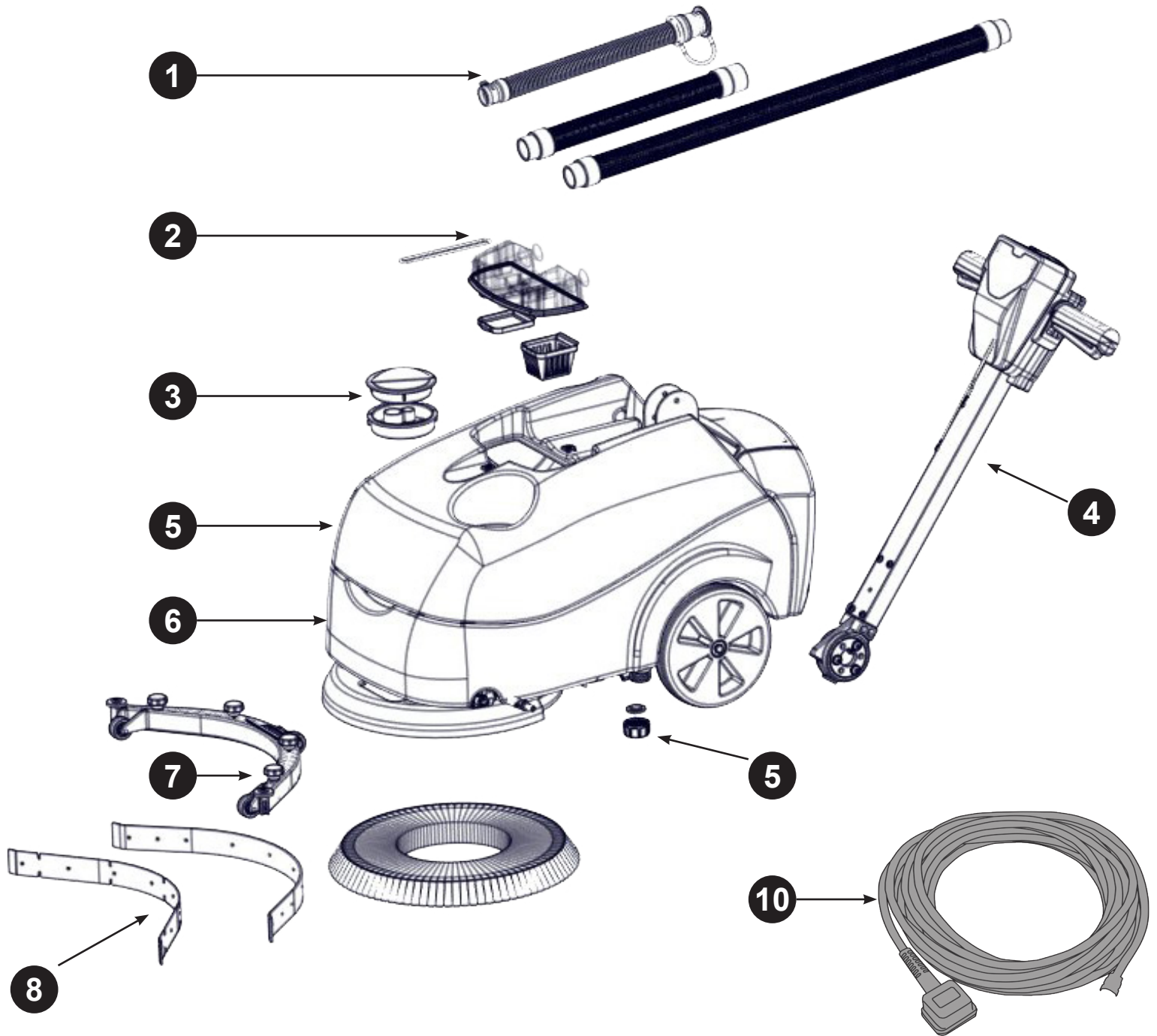

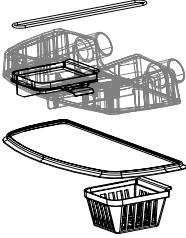
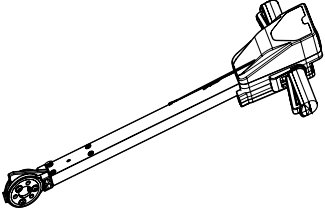
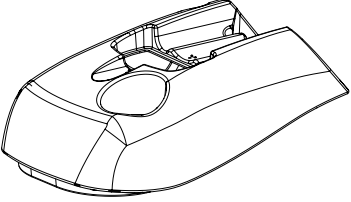
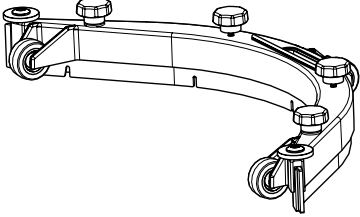
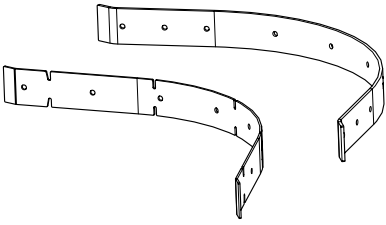

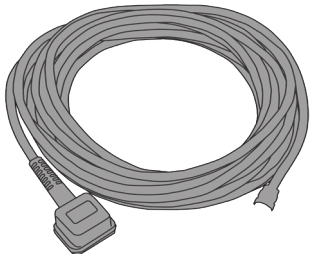


TTB1840NX / TTB1840NX-R Exploded Spares

Compact and Cordless Scrubber Dryer



Item Number	Image Reference	Item Description	Part Number	Item Quantity
1		Dump Hose 32mm Cap (Red) Suction Hose Vac Hose	208466 903325 213054 213055	1 1 1 1
2		Seperator Assembly Seperator Filter Grit Basket O Ring 95 x 3mm	330026 906070 237411 208715	1 1 1 1
3		Filler Cap Assembly Filler Cap Lid	303985 903544	1 1
4		TTB1840NX Handle Assembly 36V	911565	1
		TTB1840NX-R Handle Assembly 36V	917540	1
5		TTB1840NX Top Tank Assembly	903931	1
		TTB1840NX-R Top Tank Assembly	917551	1
6		TTB1840NX Base Assembly	913406	1
		TTB1840NX-R Base Assembly	917549	1
7		TTB1840NX Squeegee Assembly	903532	1
		TTB1840NX-R Squeegee Assembly	917547	1

Item Number	Image Reference	Item Description	Part Number	Item Quantity
8		Replacement Blade Sets (2 Piece)	903531	1
9		Sealing Bung Filler Cap (Red)	905467	1
10		Charging Cable (UK)	912365	1
		Charging Cable (Euro)	912361	
		Charging Cable (Swiss)	912364	
		Charging Cable (South African)	912363	
		Charging Cable (Australian)	912360	
		Charging Cable (North American)	912362	

TTB1840NX Accessories

606102	400mm Union Mix Brush	900524	360mm Nuloc Drive Board
606105	400mm PolyScrub Scrubbing Brush	900967	Nuplex Pads- 3 Pack 350mm
606302	370mm LongLife Scrubbing Brush	900975	Nuplex Pads- 5 Pack 350mm
606303	370mm LongLife Light Scrubbing Brush	208471	Constant Tension Clip (Dump Hose)
909996	NX Battery 36v	901880	Protection Plug
911334	Lithium Battery Charger	303961	Tank Filter Assembly
208455	M5 Knob (Black)		

Numatic International Limited. Chard, Somerset TA20 2GB
ENGLAND Tel: 01460 68600 www.numatic.co.uk

Numatic International GmbH. Fränkische Straße 15–19. D-30455 Hannover,
DEUTSCHLAND Tel: 05 11 98 42 16 0 www.numatic.de

Numatic International SAS. 13 / 17 rue du Valengelier. EAE La Tuilerie – 77500
CHELLES, FRANCE Tel: 01 64 72 61 61 www.numatic.fr

Numatic International BV. Vennootsweg 15, 2404 CG, Alphen aan den Rijn,
NEDERLAND Tel: 0172 467 999 www.numatic.nl

Numatic International (Pty.) Ltd. 16th & Pharmaceutical Roads, Midrand, Gauteng,
SOUTH AFRICA 1685 Tel: 0861 686 284 www.numatic.co.za

Numatic International Schweiz AG. Sihlbruggstrasse 3A, 6340 Baar.
SCHWEIZ Tel: 0041 (0) 41 76 80 76 - 0 www.numatic.ch

Numatic International ULDA. Rua da Boa Viagem, 177. 4470.210 Maia.
PORTUGAL Tel: +351 220 047 700 www.numatic.pt

Numatic International SLU. C/ La Forja, 41, 08840 Viladecans. (Barcelona),
SPAIN Tel: +34 93 647 22 22 www.numatic.es

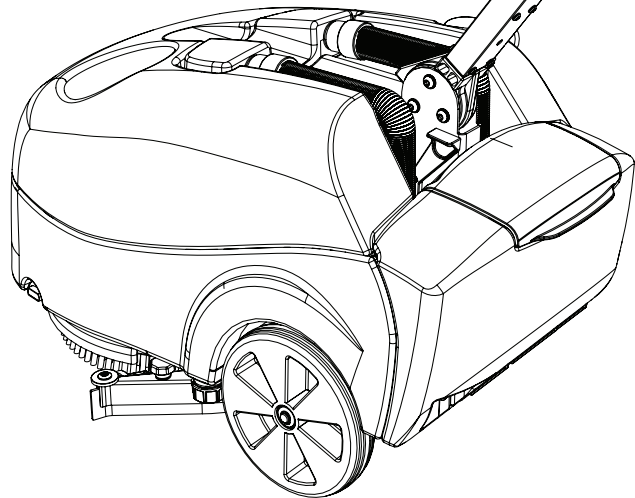
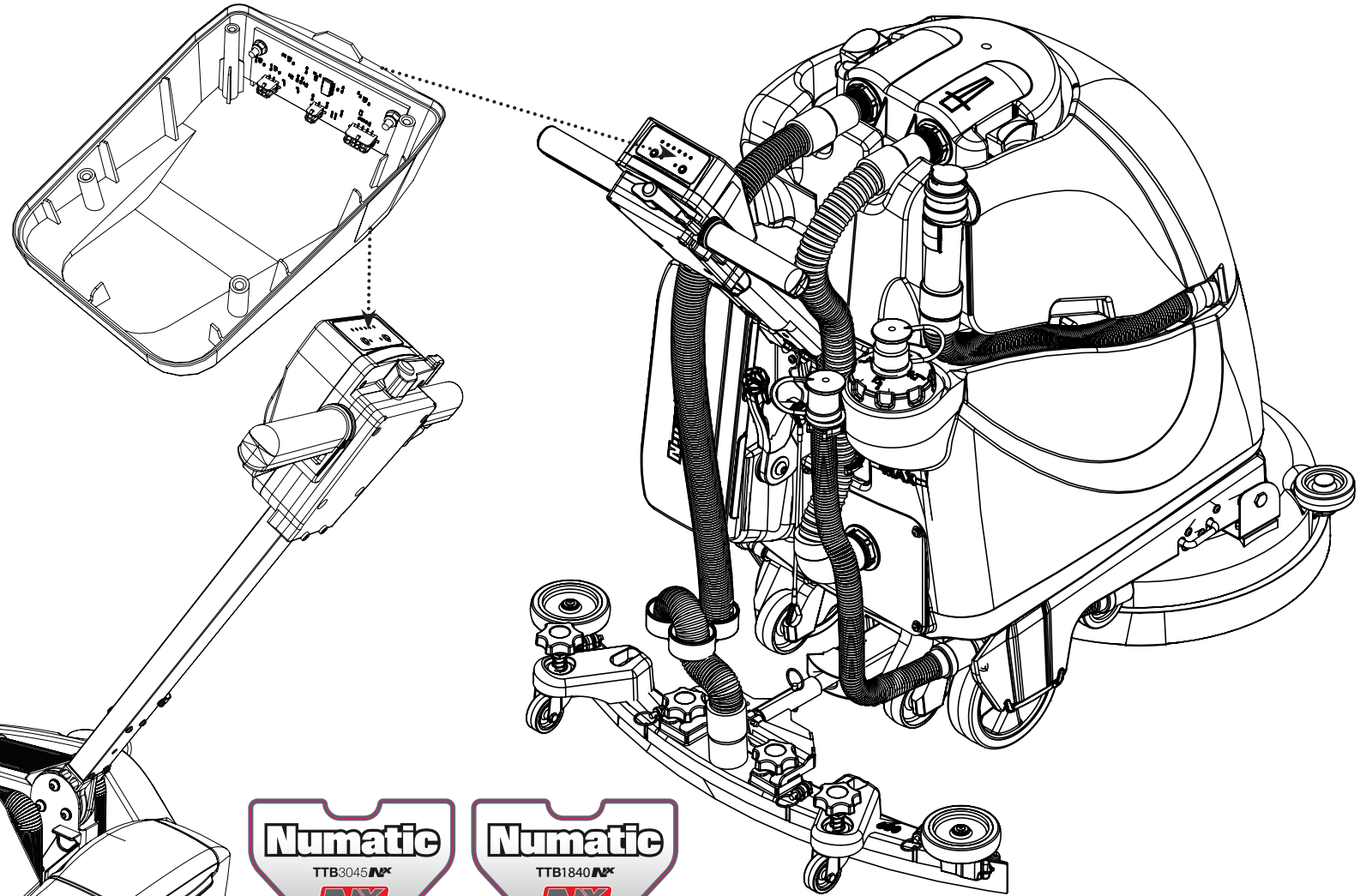
Numatic International DENMARK. Fränkische Straße 15–19. D-30455 Hannover,
DEUTSCHLAND Tel: 05 11 98 42 16 0 www.numatic-online.dk

TTB3045NX / TTB1840NX / TTB3045NX-R / TTB1840NX-R Exploded Spares - Handle PCB Kit



Walk-behind Battery Scrubber Dryer

Item Number	Item Description	Quantity
1	HANDLE PCB KIT (ASSEMBLED)	1
TTB3045NX/TTB1840NX ONLY		
1	TTB.3045.NX HANDLE STICKER	1
1	TTB.1840.NX HANDLE STICKER	1
TTB3045NX-R/TTB1840NX-R ONLY		
1	TTB.3045.NX-R HANDLE STICKER	1
1	TTB.1840.NX-R HANDLE STICKER	1



Revision	A02
TTB3045NX/TTB1840NX Part Number	915095
TTB3045NX-R/TTB1840NX-R Part Number	918840

EN	 	Any maintenance operation is to be carried out in a safe environment • All electrical work is to be carried out by a competent person Move tank assembly • Retain all nuts, screws and washers for refitting (if applicable)	 
DE	 	Sämtliche Wartungsarbeiten sind in einer sicheren Umgebung durchzuführen • Alle Elektroarbeiten sind durch eine entsprechend befähigte Person durchzuführen Bewegen Sie die Tankbaugruppe • Bewahren Sie alle Muttern, Schrauben und Unterlegscheiben zum Wiedereinbau sicher auf (falls zutreffend)	 
FR	 	Toute opération d'entretien doit être effectuée dans un environnement sécurisé • Tous travaux électriques doivent être assurés par du personnel qualifié uniquement Déplacez l'ensemble réservoir • Conservez tous les écrous, vis et rondelles en vue d'un (éventuel) remplacement	 
NL	 	Alle onderhoudswerkzaamheden moeten worden uitgevoerd in een veilige omgeving • Alle elektrische werkzaamheden moeten worden uitgevoerd door een bevoegd persoon Verplaats de hoofdtank • Bewaar alle moeren, schroeven en sluitringen voor hermontage (indien van toepassing)	 
PT	 	Qualquer operação de manutenção deve realizar-se num ambiente seguro • Todo o trabalho elétrico deve ser realizado por um técnico qualificado Mover o depósito principal • Guardar todas as porcas, parafusos e anilhas para reinstalar (se aplicável)	 
IT	 	Tutti gli interventi di manutenzione devono essere effettuati in un ambiente sicuro • Tutti gli interventi elettrici devono essere effettuati da personale competente Spostamento del gruppo serbatoio • Conservare tutti i dadi, le viti e le rondelle per il rimontaggio (se applicabile)	 
ES	 	Toda operación de mantenimiento debe realizarse en un entorno seguro • Todo trabajo eléctrico debe ser realizado por una persona competente Mover el conjunto de depósito • Guardar todas las tuercas, tornillos y arandelas para volver a colocarlos (si corresponde)	 
PL	 	Wszystkie czynności konserwacyjne należy wykonywać w bezpiecznym środowisku • Wszelkie prace elektryczne powinna wykonywać osoba kompetentna Przesunąć zespół zbiornika • Zachować wszystkie nakrętki, śruby i podkładki do ponownego montażu (jeżeli dotyczy)	 
SV	 	Alla former av underhåll ska utföras i en säker miljö • Allt elektriskt arbete ska utföras av en behörig person Flytta tankenheten • Behåll alla muttrar, skruvar och brickor för reparation (om det är tillämpligt)	 
FI	 	Kaikki huoltotoimenpiteet on suoritettava turvallisessa ympäristössä • Ammattitaitoisen henkilön on tehtävä kaikki sähkötyöt Siirrä säiliöyksikkö • Säilytä kaikki mutterit, ruuvit ja prikat asennusta varten (jos käyttökelpoisia)	 
DA	 	Enhver form for vedligeholdelsesarbejde skal udføres i et sikkert miljø • Alt elektrisk arbejde skal udføres af en kompetent person Flyt tankenheden • Gem alle møtrikker, skruer og skiver til genmontering (hvis relevant)	 

Scrubber-dryer range - TTB1840NX-R

TTB1840NX-R	
BRUSH WEIGHT	34 Kg
BRUSH PRESSURE	27.4 g/cm ²
PAD PRESSURE	21.85 g/cm ²
CLEANING AREA	1080m ² /Hr @ 2.7 kph
BRUSH MOTOR POWER	175W
BRUSH SPEED	150 rpm
BRUSH DIA	400mm
PAD DIA	360mm
VAC MOTOR MAX. POWER	100W
VAC MOTOR SUCTION @ SQUEEGEE	100 mbar
VAC MOTOR AIRFLOW @ SQUEEGEE	1.85 l/sec
WATER CAPACITY	18L
WATER FLOW - AVERAGE	0-0.7 l/min
WATER INGRESS PROTECTION	IPX4
GROSS WEIGHT (I.E. WITH LIQUID)	52 kg
NETT WEIGHT (I.E. NO LIQUID)	34 kg
POWER SOURCE	1 X NX300 BATTERY 36 VOLT 300W/h
RUN TIME (BATTERY LIFE)	60 Mins
RECHARGING TIME	80% = 60 Min* 100% = 120 Min* <small>*Run and Recharge times may vary dependent on ambeint temperature</small>
BATTERY WEIGHT (TOTAL)	2.8 Kg
HEIGHT	1132mm
LENGTH	850mm
WIDTH	520mm
SQUEEGEE LENGTH	520mm
SOUND PRESSURE LEVEL	≤65 dB(A)
VIBRATION LEVEL	HAV ≤1.7 m/s ²

The TTB1840NX-R is made using a minimum 45% recycled plastic content.*

*45% represents the minimum use of recycled plastic content, including all accessories, excluding NX300 charger.

TTB1840NX-R: 917367 / EAN: 5028965865170



NU-ASSIST APPLICATION

With the Nu-Assist App on hand, you and your team have 24/7 access to multilingual training, troubleshooting and maintenance content from any device, increasing cleaning productivity across the board.



INCLUDED ACCESSORIES



606105 - 400mm Polyscrub Brush



917367 - TTB1840 Squeegee.



911334 - NX 300 Lithium Battery Charger.
913686 - NX 300 Battery.