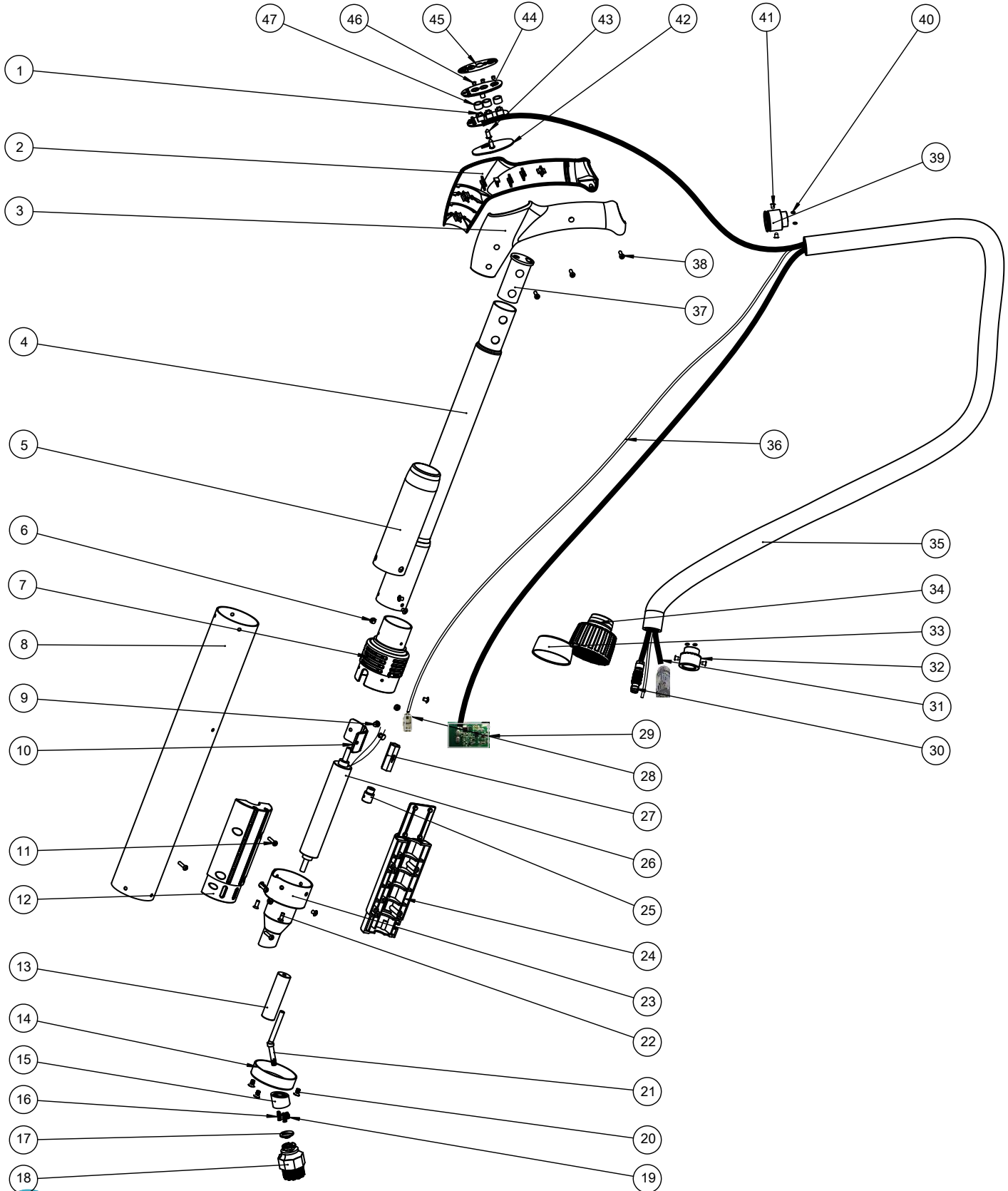
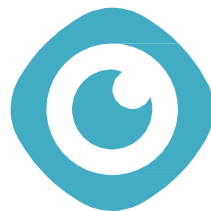




i-gum®

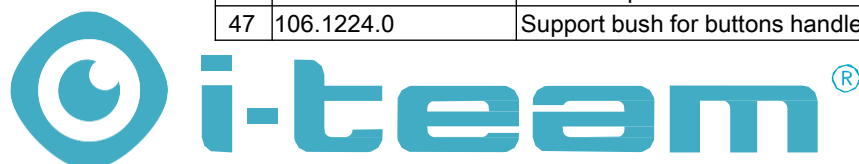
I-GUM LANCE EXPLODED DRAWING





i-gum®

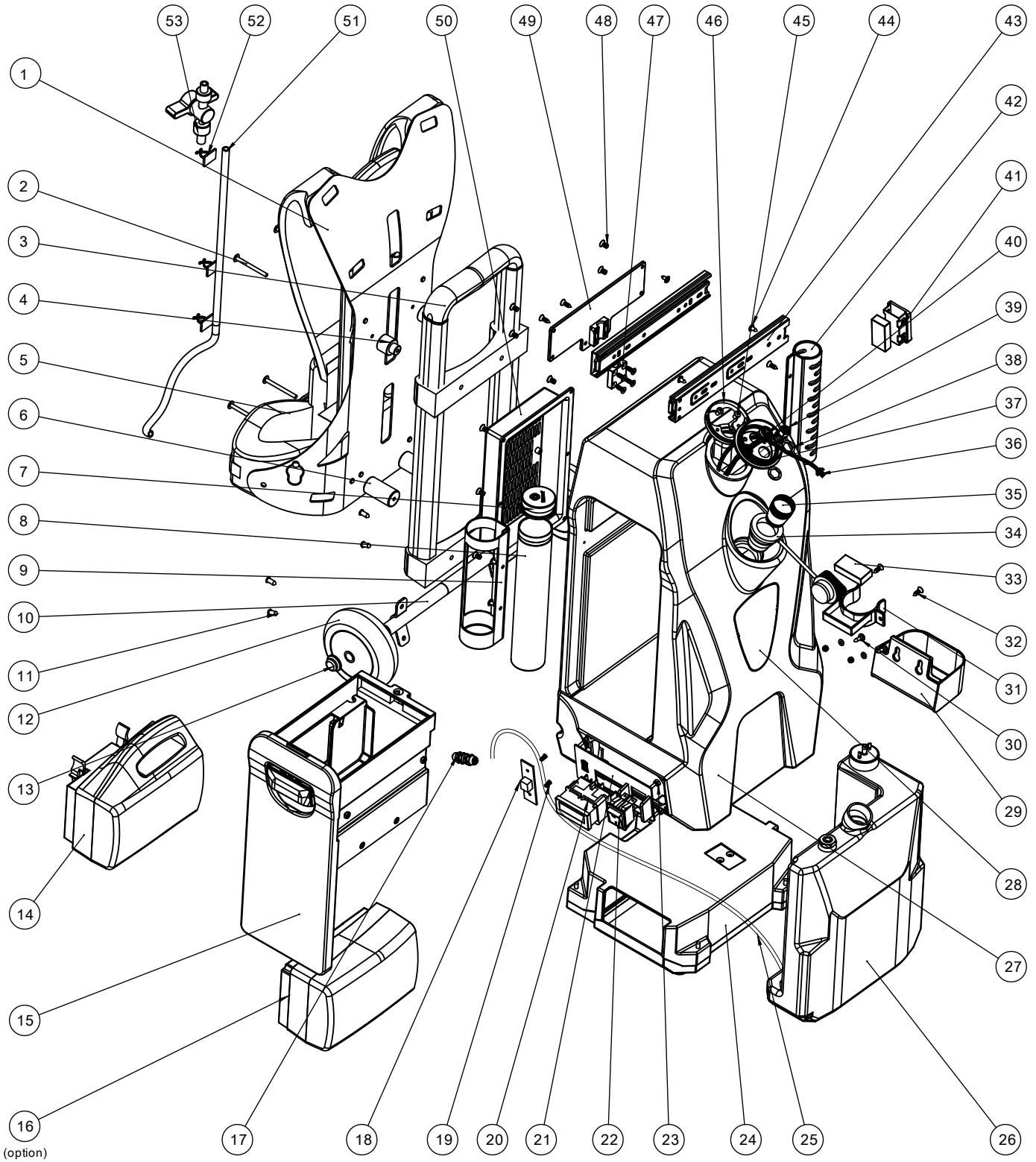
Item	Part No.	Description	Material	Q'ty
1	106.0002.8	Control Panle PCB Battery Version	PCB	1
2	97.2004.31_remark	Handle cover right, Gray 431C,	PA66+20%GF	1
3	97.2003.31_remark	Handle cover left, Gray 431C	PA66+20%GF	1
4	106.0002.2	Handle Wand	AL	1
5	106.1151.797	Soft Rubber For Lance Handle	Rubber	1
6	106.1111.5	M4*6 Hex-socket Botton Head Screw	SUS 304	1
7	106.1002.1	Lance AL Top Cap	AL	1
8	106.2000.3	Lance carbon fibre sleeve	Carbon Fibre	1
9	02.0005.1	Sealed rivet Alu 4*8mm	AL	2
10	106.2149.0	Steell part for lance top magnet	SUS 201	1
11	106.1111.23	M4*16 PAN HEAD SELF-TAPPING SCREW	SUS 304	4
12	106.2173.0	Top fitting housing for heater	ABS, UL94-V0	1
13	106.2171.2	Silicon tube for heater outlet connector	Silicon rubber	1
14	106.0005.9A	Lance bottom location ring SUS420 with plating	SUS 420	1
15	106.0005.8	Brush holder	AL	1
16	106.1111.19	M3*12 Flat head machining screw	SUS 304	2
17	106.2171.0	Rubber for brush holder	Rubber	1
18	106.3013.797	Brush with nylon bristle, 1.0mm hole, blue	PA66+20%GF	1
(18)	106.3014.797	Brush with steel bristle, 1.0mm hole, blue	PA66+20%GF	1
19	69.0022.1	Screw M3*10	SUS 304	1
20	72.0206.1	Screw Counter sunk bolt M4*8_SS	SUS 304	3
21	106.0205.0	Steel tube for outlet connector	SUS 304	1
22	106.1111.9	M4*8 Flat head machining screw	SUS 304	3
23	106.0005.5	SUP END CAP	AL	1
24	106.2172.0	Top fitting housing for heater	ABS, UL94-V0	1
25	106.2192.0	G1/8 Connector for heater	Cu-h68	1
26	106.2169.0	Fluent in-line heater, DC24V, 250W	SUS 304	1
27	106.2045.2	Retaining Valve	Cu	1
28	106.2193.0	G1/8 Quick connector for retaining valve	Cu	1
29	106.2170.0	PCB board for heater in lance	PCB	1
30	S.106.2046.3	7 poles circle male connector with wires	PVC, Cu	1
31	106.2189.2	Cable for lance heater power supply	PVC, Cu	1
32	106.2105.0	Hose end cap	ABS	1
33	106.2168.797A	Support Cap for hose connector	PA66+15%GF	1
34	106.0021.357A	Hose connector cap	POM, UL94-V0	1
35	106.0023.0	Protection hose outside 25mmx1.5M	PU, steel	1
36	106.0118.0	Transparent pipe for fluid output 6*4mm	PU	2.5M
37	106.1144.0	Rubber stoper for handle	Rubber	1
38	00.0002.62	Screw st3*14 cross	SUS 304	3
39	106.2105.1	Hose end cap for handle	ABS, UL94-V0	1
40	106.1111.31	M3*10 RIVET	AL	4
41	106.1111.30	M3 WASHER	STEEL	4
42	106.0002.9	EVA foam for control PCB board	EVA Foam	1
43	106.1111.4	M3*6 Pan head self-tapping screw	SUS 304	6
44	106.0002.6	Control panel	ABS, UL94-V0	1
45	106.2002.5	Control panle sticker	PC	1
46	106.1227.0	Button Cap for lance control PCB	Silicon rubber	3
47	106.1224.0	Support bush for buttons handle control panel	Nylon	3





i-gum[®]

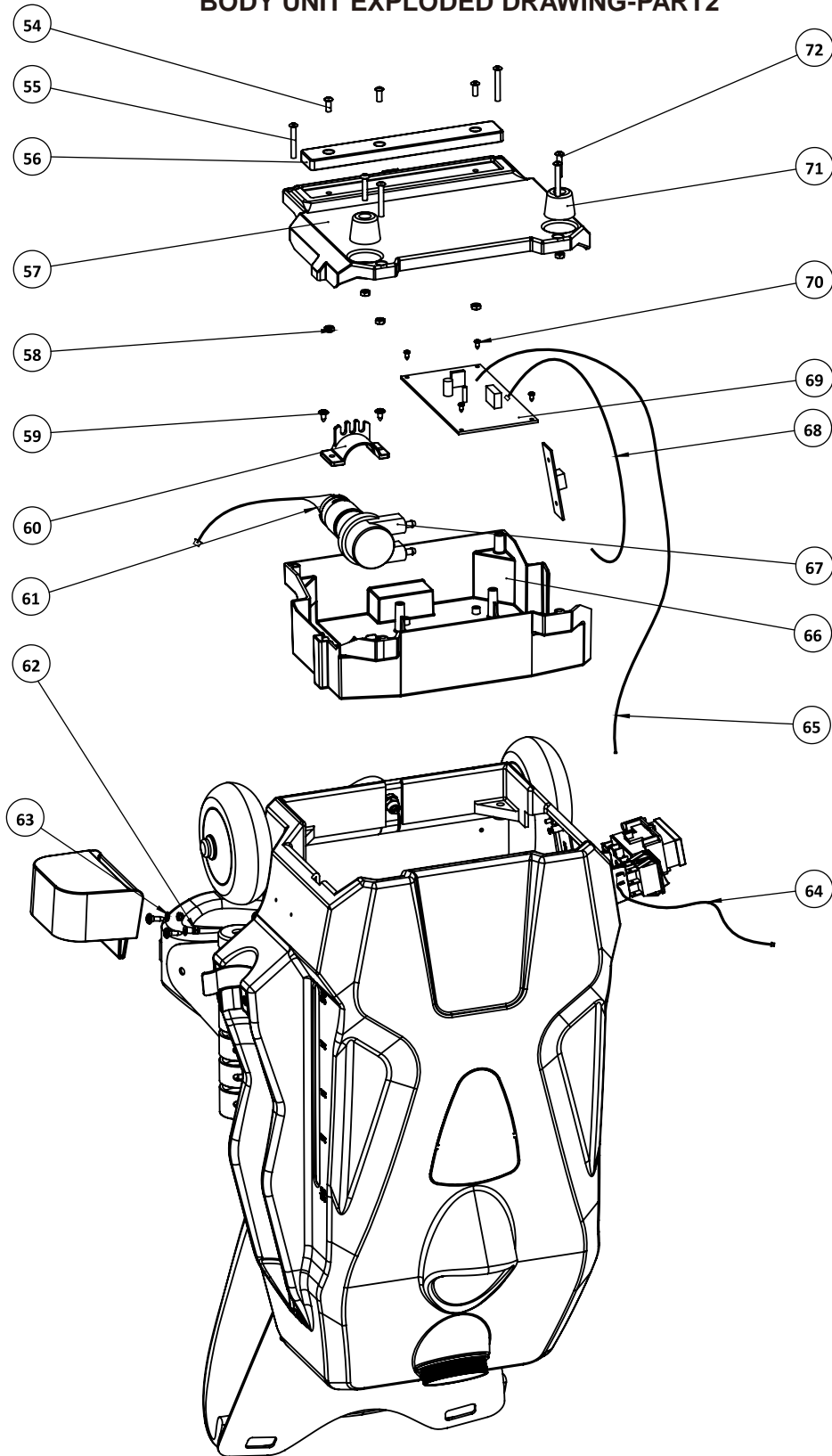
BODY UNIT EXPLODED DRAWING-PART1





i-gum[®]

BODY UNIT EXPLODED DRAWING-PART2





ITEM	PART NO.	DISCRIPTION	MATERIAL	Q'TY
1	S.106.2059.0	Shoulder harness & Waistband Assembly Unit	AL,Clothes	1
2	106.1111.11	M4X45 BIG PAN HEAD MACHINING SCREW	SUS 304	4
3	106.2058.0	Trolley Handel	AL,ABS,PP	1
4	106.2109.0	Screw support bush	POM	2
5	106.1111.13	M4X20 PAN HEAD MACHINING SCREW	SUS 304	2
6	106.2061.0	Support bush for harness	POM	2
7	106.2155.0	Rubber Cap For Brush Storage	Rubber	1
8	106.2150.0	Brush Storage Tube	AL	1
9	106.2156.0	Brush holder bracket	ABS	1
10	106.2008.0	Wheel Shaft	AL	1
11	106.1111.14	M5X10 BIG PAN HEAD SELF-TAPPING SCREW	SUS 304	4
12	45.0014.0	Wheel 100*32 MM	Nylon, PVC	2
13	45.0021.0	Shaft end cap D=10mm	SUS 304	2
14	S.72.0074.357BSRA	Assy Battery pack grey(left) BMS 14Ah(FR)(W/O FUSE)	Li-ion Battery	1
15	S.106.2203.797A	Drawer for batteries storage Assembly unit	PE, PC/ABS...	1
(16)	S.72.0079.357BSRA	Assy Battery pack grey(right) BMS 14Ah(FR)(W/O FUSE)	Li-ion Battery	(1)
17	106.1221.0	Direct Connector for pipe 5*8MM	Cu	1
18	106.2100.1	LED Light PCB For Battery Power	PCB board	1
19	106.1111.22	M3x8 Flat head machining screw	SUS 304	1
20	106.2071.0	Timer	/	1
21	106.3307.0	Body control panel battery version	SUS 304	1
22	106.2194.0	MAIN SWITCH 4 P/16A 250V	/	1
23	20.0031.5	Nut M3 Nylon	SUS 304	4
24	S.106.2006.0	Bottom Housing parts assm (see exploded drawing)	ABS, UL94-V0	1
25	106.1208.0	PVC Soft pipe 5x8mm	PVC	15CM
26	S.106.2025.0	ASSY WATER TANK(see exploded drawing)	PP	1
27	106.2201.797B	I-GUM B&G Updated version	PE	1
28	106.0139.1	logo sticker with printing "I-GUM"	PC	1
29	106.2165.0	Water drop disk	PC	1
30	106.2183.0	Hank screw for water drop disk	SUS 304	1
31	106.2054.8	Magnet box for lance holder yellow	POM, Yellow	1
32	106.1111.1	M4*12 Flat hex-socket botton screw	SUS 304	16
33	72.0051.0	Magnet 40*20*10mm	Magnetic	2
34	106.2050.0A	Fluid Input Connector With Cap	Silicon Rubber	1
35	106.3201.0	Stainless steel bush for yellow cap inside support	SUS 304	1
36	106.2189.2	CABLE TO PCB OF BODY FOR HEATER POWER SUPPLY	PVC, Cu	1
37	106.3097.797B	Insert Cap For Body	PA66+15%GF	1
38	72.0003.0	Metal Washer M10	SUS 304	2
39	S.106.2080.0	Direct Twist connector 6x4 Pipe plating Ni	Cu	1
40	S.106.2046.4	7 Poles circle femal connector	PVC, Cu	1
41	106.2161.0	Magnet Box For Lance top	ABS	1
42	106.2108.0	Broom Holder	ABS	1
43	106.2095.0	Slider Guider	Steel	2
44	106.1111.6	M4*8 PWA head self-stapping screw	SUS 304	8
45	106.1111.10	M*8 Hex-socket botton head screw	SUS 304	3

... connect with next page...



... Connect with last page ...

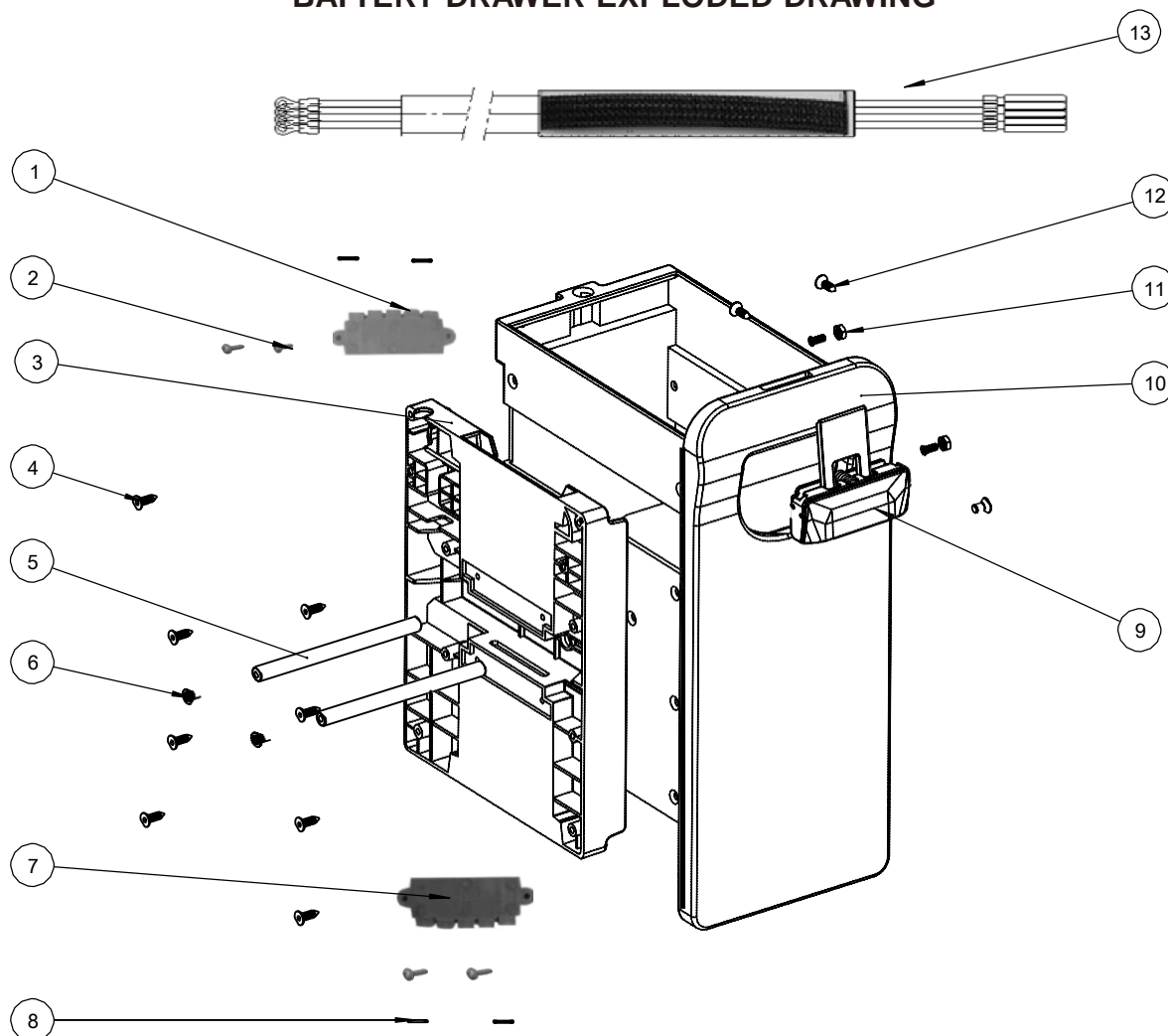
ITEM	PART NO.	DISCRIPTION	MATERIAL	Q'TY
46	106.3311.0	Metal ring for body insert cap fitting	AL	1
47	106.2102.1	Fitting Covershorter	ABS, UL94-V0	1
48	72.0206.1	Screw counter sunk bolt M4*8 Stainless steel	SUS 304	10
49	106.2034.0	Back coverof body	ABS, UL94-V0	1
50	106.2269.0	Back housingfro body	ABS, UL94-V0	1
51	106.1208.0	PVC Soft pipe 5x8mm	PVC	40CM
52	106.1209.0	Hose Clamp	Nylon	3
53	S.106.1226.0	ASSY Water Drain Valve New 6.5mm	PE, Nylon	1
54	72.0121.1	Screw M4X12, Cross head, standard thread, SST	SUS 304	3
55	106.1111.15	M4*28 Hex-sokect botton screw	SUS 304	4
56	106.2153.0	Bottom rubber foot plate	Rubber	1
57	106.2157.0	Bottom cover	ABS, UL94-V0	1
58	72.0261.0	Nut M4 nylon stainless steel	SUS 304	5
59	106.1111.23	M4*16 PAN HEAD SELF-TAPPING SCREW	SUS 304	2
60	106.2106.0A	Fitting bracket for pump	ABS, UL94-V0	1
61	106.2079.6	Wire for battery version pump	--	1
62	20.0031.5	Nut M3 Nylon	SUS 304	2
63	103.0143.0	M3 Washer	SUS 304	2
64	16.2079.9	Wire for main switch	--	1
65	106.2079.3	Wire for timer	--	1
66	106.2006.797A	Bottom Housing	ABS, UL94-V0	1
67	106.0130.1	Fluid Pump 10~50ml/DC 24V	--	1
68	106.2279.0	Connector wire for power indicator PCB board	--	1
69	106.2070.1A	Main PCB board Battery Version	PCB BOARD	1
70	106.1111.4	M3*6 Pan head self -tapping screw	SUS 304	4
71	87.0032.0	Rubber foot	Rubber	2
72	106.1111.12	M4*20 Hex-soke ct botton screw	SUS 304	2





i-gum[®]

BATTERY DRAWER EXPLODED DRAWING



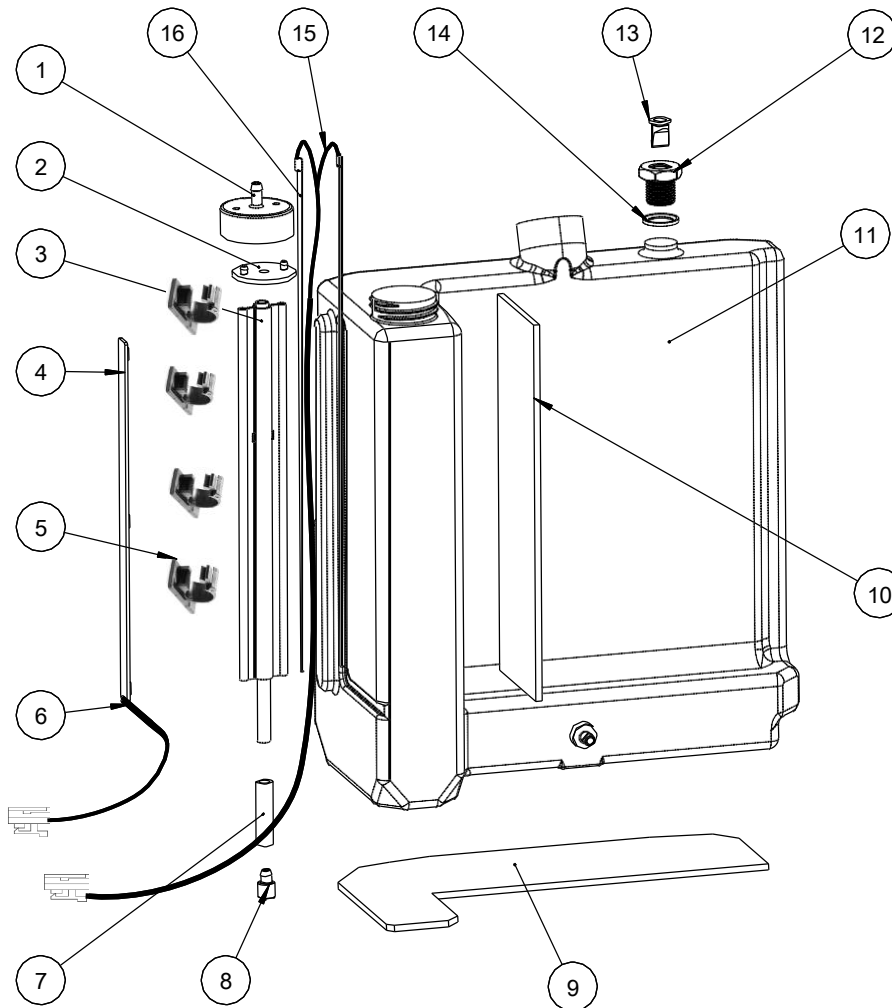
ITEM	PART NO.	DISCRIPTION	MATERIAL	Q'TY
1	72.0068.797	Battery Connector male, Blue	POM	1
2	72.0057.0	Screw wn 5451 2.5*10 Ejoj del TA PT	SUS 304	4
3	106.2167.0	Battery Fitting Housing	PC/ABS, UL94-V0	1
4	106.1111.1	M*12 Flat hex-socket botton scew	SUS 304	8
5	106.2184.0	Al support rod for battery drawer	AL	1
6	72.0206.1	Screw counter suk bolt M4*8 SS	SUS 304	4
7	72.0068.357	Battery connector male, Gray	POM	1
8	85.0050.1	Alignment pin longer version	SUS 304	4
9	S.106.1167.0	Metal handle of drawer	Zn, Plating Ni	1
10	106.2203.797A	Drawer for batteries storage	PE	1
11	80.0000.91	M4 Nut	SUS 304	2
12	106.1111.6	Flat heat machining screw M4x8	SUS 304	4
13	106.2189.0	Cable wire for battery power supply	PVC, Cu, Nylon	1





i-gum[®]

FLUID TANK UNIT EXPLODED DRAWING



ITEM	PART NO	DISCRIPTION	MATERIAL	Q'TY
1	106.1204.0	Water tank cap for pump output	POM	1
2	106.1203.0	Rubber seal of tank cap	Rubber	1
3	106.2104.0A	Hard Tube for fluid outlet	Silicon rubber, PE	1
4	106.2185.0	LED light PCB for fluid tank	LED, PCB board	1
5	106.2187.1	Wires fixator	Nylon	1
6	106.2079.8	Wire for tank LED light	--	1
7	106.2190.0	Silicon Tube 8x5mm	Silicon tube	1
8	106.1212.0	Filter for water input	Nylon	1
9	106.3304.0	EVA foam for water tank bottom	EVA foam	1
10	106.3303.0	EVA foam for water tank side	EVA foam	1
11	106.2025.0A	Water tank	HDPE, transparent	1
12	106.1201.0	1/4 Nut for water tank breathing valve	Cu, plating Ni	1
13	106.1200.0	Breathing Valve	Silicon rubber, Red	1
14	106.1202.0	DIN6869 M14 ED SEAL RING	Rubber	1
15	106.2079.5	Wire for water detecting connector	--	1
16	106.2166.0	Fluid Level sensor pin	Cu, plating Ni	2

