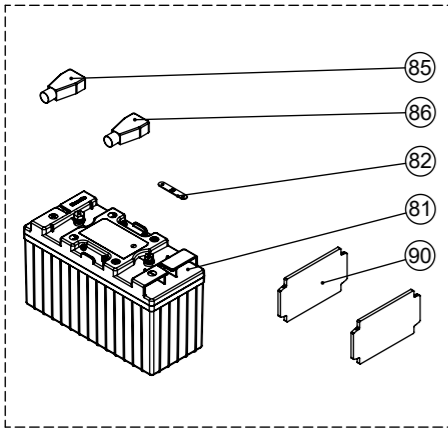


# Numatic International Spare Parts

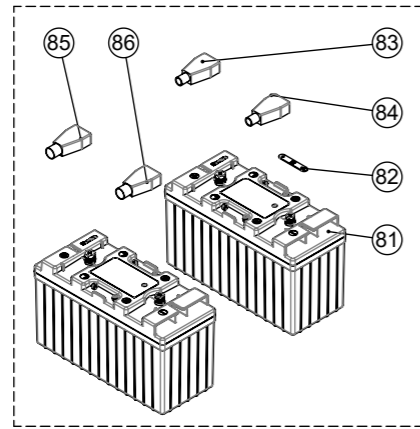
Model No: CRL8055 & CRL8072 BOTTOM TANK ASSEMBLY

915172, 916215, 917230  
DRAWING: DRW-38792 ISS:A07  
~~03/07/2020~~ WIRING SEE DRAWING:

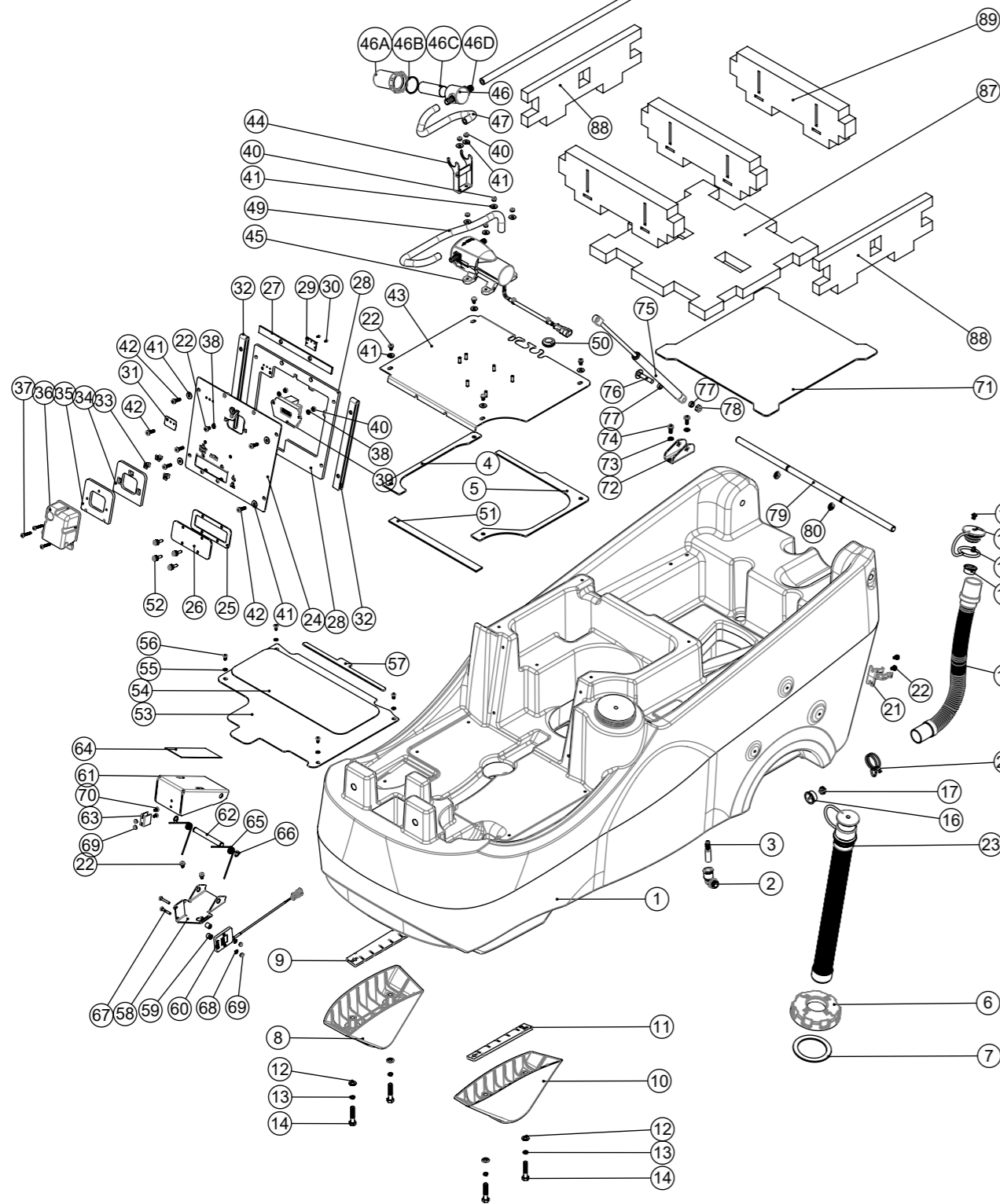
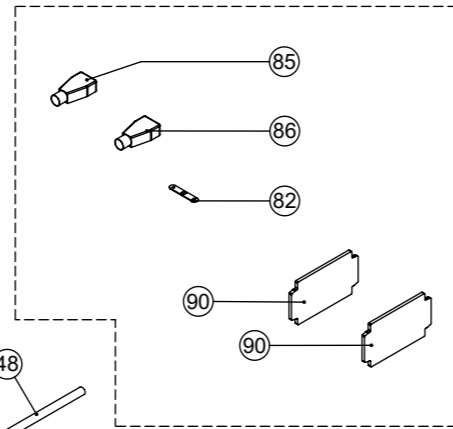
## 1 BATTERY - 916215



## 2 BATTERY - 915172



## LESS BATTERIES - 917230



# Numatic International Spare Parts

Model No: CRL8055 & CRL8072 BOTTOM TANK ASSEMBLY

ITEM:	ITEM No:	DESCRIPTION:	COMMENTS:	QTY:
1	237682	MINI RIDE ON BOTTOM TANK		1
2	901539	ELBOW ANGLE CONNECTOR 3/8 PARALLEL THREAD C/W O-RING TO 12MM PUSH IN		1
3	901534	PUSH IN BARBED CONNECTOR - 12MM OD 8MM ID		1
4	203028	CRO PUMP PLATE GASKET RH		1
5	203027	CRO PUMP PLATE GASKET LH		1
6	237174	FILLER CAP WITH FILLER HOSE HOLE		1
7	208564	FILLER CAP SEALING RING		1
8	237684	BOTTOM TANK SCUFF MOULDING RHS		1
9	392464	RHS SCUFF MOULDING SPACER		1
10	237685	BOTTOM TANK SCUFF MOULDING LHS		1
11	392465	LHS SCUFF MOULDING SPACER		1
12	219578	M8 FORM A STAINLESS STEEL WASHER		4
13	219898	M8 SINGLE COIL STAINLESS STEEL WASHER		4
14	291112	M8 X 40 LONG HEX BOLT STAINLESS STEEL		4
15	208938	25MM X 455MM LG DUMP HOSE		1
16	904108	FLOAT STOP MOULDING		2
17	904109	FLOAT MOULDING		1
18	903341	32MM HOSE CAP RED (C/W 8MM HOLE)		1
19	904403	BARBED RIVET BLACK		2
20	902133	SPRING WIRE CLAMP (YDNAC-Y8010356)		1
21	901916	28mm HOSE CLIP		1
22	291135	M5 X 10MM LONG STAINLESS STEEL POZI PAN SEMS SCREW		9
23	903696	28MM X 370MM LONG 3:1 STRETCH HOSE C/W RED CAP & STRAP		1
24	906657	ELECTRONICS FRONT COVER ASSY PAINTED SILVER (CRG)		1
25	906659	FUSE PANEL GASKET (CRG)		1
26	906655	FUSE PANEL COVER		1
27	906663	FRONT COVER TOP GASKET		1
28	906654	ELECTRONICS FRONT COVER SPACER PLATE (CRG)		1
29	280002	CHARGER LED DISPLAY PCB		1
30	219978	M2 X 6MM LONG POZI PAN SCREW		2
31	208978	CHARGER LIGHTS OVERLAY		1
32	280008	FRONT COVER PLATE GASKET		2
33	900986	NYLON GROMMET NUT (PLASTIC INSERT TO SUIT No 8 PLASTITE SCREW)		3
34	904505	IEC SOCKET SPACER PP		1
35	904504	IEC SOCKET SECONDARY SPACER PP		1
36	904032	240V EMI FILTER WITH SOCKET COVER ASSEMBLY C/W FLAP		1
37	219369	No 8 X 1 INCH LONG POZI PAN STAINLESS STEEL PLASTITE SCREW		3
38	219355	M5 FORM A STAINLESS STEEL WASHER		3
39	906722	BRUSH ENGAGE PCB ASSEMBLY		1
40	219633	M5 STAINLESS STEEL NYLON INSERT NUT		8
41	219644	M5 FORM G STAINLESS STEEL WASHER		14
42	291133	M5 X 20MM LONG STAINLESS STEEL POZI PAN SEMS SCREW		6
43	392419	CRO PUMP AND FILTER PLATE CLINCH STUD ASSY		1
44	304521	FILTER PLATE ASSEMBLY		1
45	230278	WATER PUMP ASSEMBLY		1
46	208888	EXTENDED STRAINER		1
46A	208890	EXTENDED STRAINER CLEAR BOWL	SPARE PART	1
46B	208830	STRAINER GASKET	SPARE PART	1
46C	208889	EXTENDED STRAINER 50 MESH SCREEN	SPARE PART	1
46D	208827	STRAINER BLACK TOP	SPARE PART	1
47	391525	CRO FILTER TO PUMP TUBE 300MM LG		1
48	391526	CRO TANK TO FILTER TUBE 700MM LG		1
49	904296	CRO PUMP TO FLOW DIVIDER TUBE 470MM LG		1
50	219934	GROMMET		1
51	906664	3MM X 19MM INSEAL TYPE 3259 (270MM)		1
52	904491	M5 x16MM SLOT KNURLED THUMB SCREW NYLON (WHITE)		4
53	392421	FOOT PLATE		1
54	208998	ANTI-SLIP TREAD PAD (SELF ADHESIVE)		1
55	219016	M5 SHAKEPROOF WASHER		4
56	291004	M5 X 10MM LONG STAINLESS STEEL BUTTON HEAD SCREW		4
57	280014	FOOT PLATE EDGE SEAL		1
58	329841	ACCELERATOR HINGE PLATE		1
59	219574	NYLON SPACER		2
60	N/A	GILL SENSOR ASSEMBLY C/W EDAC 5 WAY PLUG		1
61	329840	ACCELERATOR PEDAL COVER		1
62	208046	CIRCLIP BAR		1
63	329842	GILL SENSOR ACTIVATOR PLATE - PAINTED SILVER GREY		1
64	903855	ACCELERATOR GRIP PAD (RED)		1
65	208047	TORSION SPRING (LEFT HAND)		2
66	219586	10MM EXTERNAL CIRCLIP		2
67	291165	M4 X 25MM LONG POZI SCREW STAINLESS STEEL		2
68	219688	M4 FORM A STAINLESS STEEL WASHER		2
69	219687	M4 STAINLESS STEEL NYLON INSERT NUT		4
70	219697	M4 X 8MM LONG POZI PAN STAINLESS STEEL SCREW		2
71	392501	BATTERY PLATE		1
72	392455	GAS STRUT BRACKET - CARRIAGE BOLT		1
73	219870	M6 FORM A WASHER STAINLESS STEEL		2
74	219646	M6 X 16MM LONG POZI PAN STAINLESS STEEL SCREW		2
75	208907	GAS STRUT C/W END FITTINGS 100NM		1
76	291120	M8 X 40 CARRIAGE BOLT S/S		1
77	291121	NYLON SPACER I/D 8.2MM X O/D 12MM X 5MM LG		2
78	219639	M8 STAINLESS STEEL NYLON INSERT NUT		1
79	208902	MINI RIDE ON PIVOT BAR		1
80	208072	PLASTIC FIXING RING		2
81	911948	NX1K BATTERY [LFP]	LESS BATTERIES QTY x 0 BATTERY QTY x 1	2
82	N/A	CANBUS HI-LO CONNECTOR PCB		1
83	906147	RED BATTERY TERMINAL COVER (415N8F02)	LESS BATTERIES & 1-BATTERY QTY x 0	1
84	906148	BLACK BATTERY TERMINAL COVER (415N8F14)	LESS BATTERIES & 1-BATTERY QTY x 0	1
85	915218	RED BATTERY TERMINAL COVER (415N0V02) (19.05MM DIA)		1
86	915219	BLACK BATTERY TERMINAL COVER (415N0V14) (19.05MM DIA)		1
87	915081	CRG8055/72 SLOTTED BATTERY TRAY - BASE (25mm)		1
88	915073	CRG8055/72 SLOTTED BATTERY TRAY - SIDE WALL (20mm)		2
89	915072	CRG8055/72 SLOTTED BATTERY TRAY - WALL (33mm)		3
90	916202	SINGLE BATTERY FOAM SPACER	LESS BATTERIES & 1-BATTERY CONFIG ONLY	2

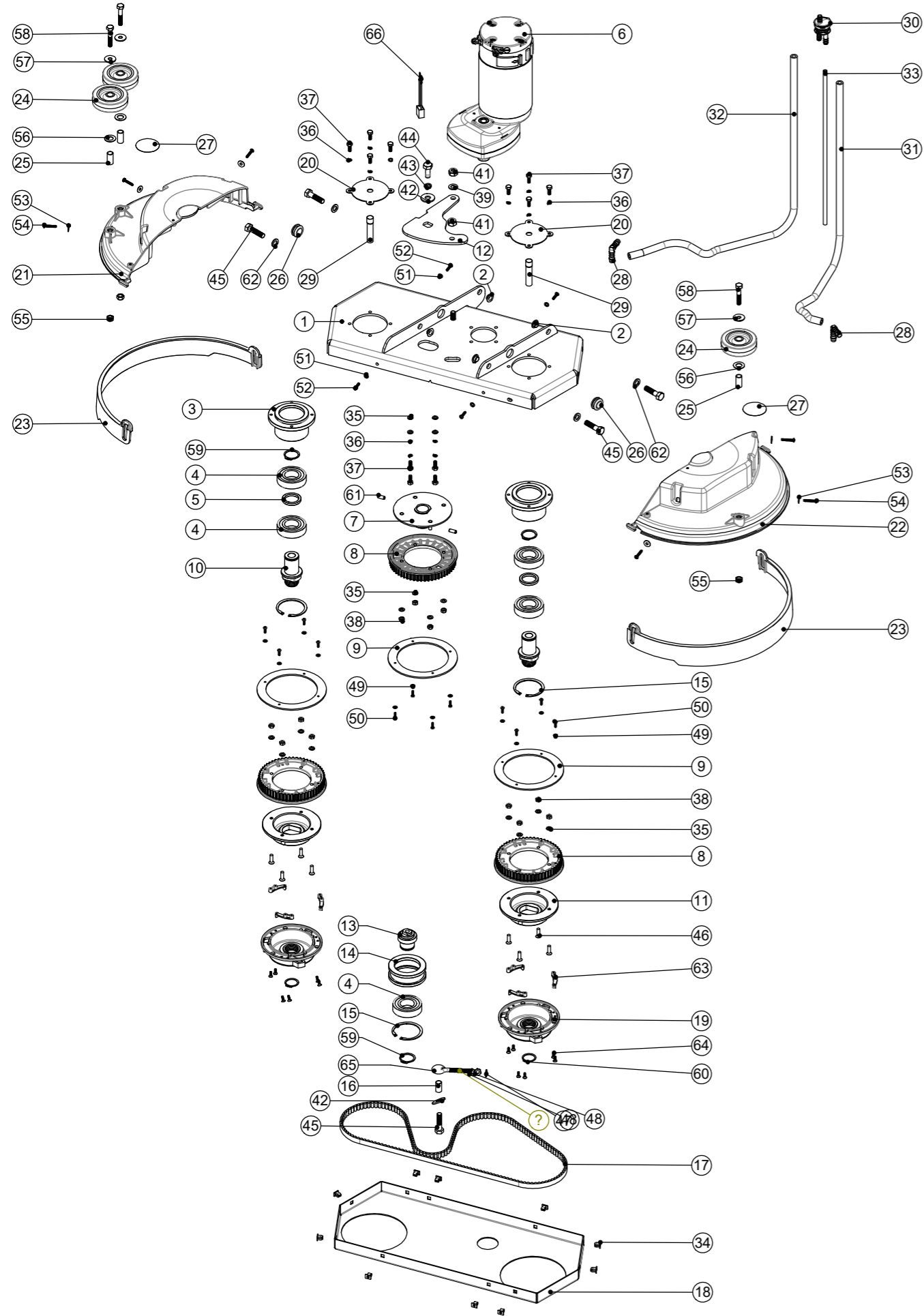
# Numatic International Spare Parts

Model No: CRL8072 BRUSH DECK

915672  
DRAWING: DRW-39786 ISS:A01  
10/08/2022

NB: FOR WIRING SEE DRAWING:

230V 120Ah: DRW-25826 230V / 100T : DRW-26446  
120V 120Ah: DRW-26749 120V / 100T : DRW-26749



# Numatic International Spare Parts

Model No: CRL8072 BRUSH DECK

ITEM:	PART No:	Description:	Comments:	QTY.
1	903617	TWIN BRUSH DECK WELD ASSY ZINC PLATED		1
2	208330	IGUS BEARING (GFM 101206)		4
3	903420	BEARING HOUSING		2
4	208878	BEARING I/D30MM O/D62MM		5
5	903439	SPACER O/D 40MM X I/D 30MM X 5MM		2
6	205192	MRP6 IP20 AMER MOTOR		1
7	904836	BRUSH MOTOR PULLEY PLATE WELD ASSY ZINC PLATED		1
8	237680	LARGE PULLEY 56TH		3
9	903423	PULLEY FLANGE PLATE		3
10	903421	BRUSH PULLEY SHAFT		2
11	903440	PULLEY MOUNTING ADAPTER		2
12	903619	TENSIONER PIVOT PLATE ZINC PLATED		1
13	903419	TENSIONER SHAFT		1
14	903424	IDLER		1
15	230200	62MM INTERNAL CIRCLIP		3
16	903429	1/2 INCH DIA X 18G S/S TUBE (0.022)		1
17	903438	BELT (GATES GT4 - 1440 - 8MGT - 12)		1
18	903428	TWIN BRUSH DECK - MAIN PLATE COVER		1
19	230285	MODIFIED CHUCK (CRO)		2
20	903432	TWIN BRUSH WATER FEED PLATE		2
21	903433	TWIN BRUSH RH DECK MOULDING		1
22	903434	TWIN BRUSH LH DECK MOULDING		1
23	903437	TWIN BRUSH DECK SPLASH SKIRT		2
24	204068	3 INCH GREY WHEEL		3
25	391224	1/2 INCH DIA X 18G S/S TUBE (0.026)		3
26	208143	20MM GROMMET X 6MM PANEL THICKNESS		2
27	903845	DO NOT STAND HERE WARNING LABEL Ø50MM		2
28	903641	10MM HOSETAIL ELBOW		2
29	903446	MOTOR SHAFT INSERT		2
30	903445	FLOW DIVIDER ASSY		1
31	903447	LH SOLUTION TUBE		1
32	903448	RH SOLUTION TUBE		1
33	903463	VENT TUBE		1
34	900986	NYLON GROMMET NUT (PLASTIC INSERT TO SUIT No 8 PLASTITE SCREW)		10
35	219870	M6 FORM A WASHER STAINLESS STEEL		16
36	219718	WASHER.M6.SPRING.STAINLESS STEEL		12
37	219719	M6 X 16MM LONG HEXAGONAL STAINLESS STEEL HEAD BOLT		12
38	219642	M6 STAINLESS STEEL NYLON INSERT NUT		12
39	219903	M10 FORM A STAINLESS STEEL WASHER		2
40	219909	M10 X 25MM LONG HEXAGONAL STAINLESS STEEL SCREW		1
41	219897	M10 STAINLESS STEEL NYLON INSERT NUT		2
42	291124	M10 PENNY WASHER STAINLESS STEEL		2
43	219899	M10 SINGLE COIL STAINLESS STEEL WASHER		1
44	291141	M10 X 25MM LG HEX HEAD SCREW STAINLESS STEEL C/W THREADLOCK		1
45	906868	M10 X 40MM LONG HEX BOLT STAINLESS STEEL		5
46	903441	M6 X 20MM LONG STAINLESS STEEL COUNTERSUNK POZI SCREW		8
47	219578	M8 FORM A STAINLESS STEEL WASHER		1
48	219079	M8 PLAIN NUT		2
49	219688	M4 FORM A STAINLESS STEEL WASHER		12
50	291061	No6 X 1/2 INCH LONG POZI PAN PLASTITE SCREW (STAINLESS STEEL)		12
51	219355	M5 FORM A STAINLESS STEEL WASHER		4
52	219568	NO8.3/4 INCH LG.POZI-PAN.SCREW.STAINLESS STEEL.PLASTITE		4
53	219644	M5 FORM G STAINLESS STEEL WASHER		6
54	219369	No8 X 1 INCH LONG POZI PAN STAINLESS STEEL PLASTITE SCREW		6
55	219639	M8 STAINLESS STEEL NYLON INSERT NUT		3
56	219302	M12 FORM B STAINLESS STEEL WASHER		3
57	219716	M8 FORM G STAINLESS STEEL WASHER		3
58	906867	M8 X 45MM LONG HEX BOLT STAINLESS STEEL		3
59	903435	30MM EXTERNAL CIRCLIP		3
60	230048	26MM EXTERNAL CIRCLIP		2
61	291139	6MM X 16MM STAINLESS STEEL ROLL PIN		2
62	291163	NYLON WASHER 18MM O/D X 10.5MM I/D X 2MM		4
63	237730	SPRING CLIP		6
64	219683	No6 X 3/8 INCH LONG POZI PAN BLACK COUNTERSUNK PLASTITE SCREW		12
65	914423	M8 X 70mm Eye Bolt Zinc Plated		1
66	915440	SUPPRESSOR 0.68uF 310V X1 CAPACITOR & M6 RING TERMINALS		1

# Numatic International Spare Parts

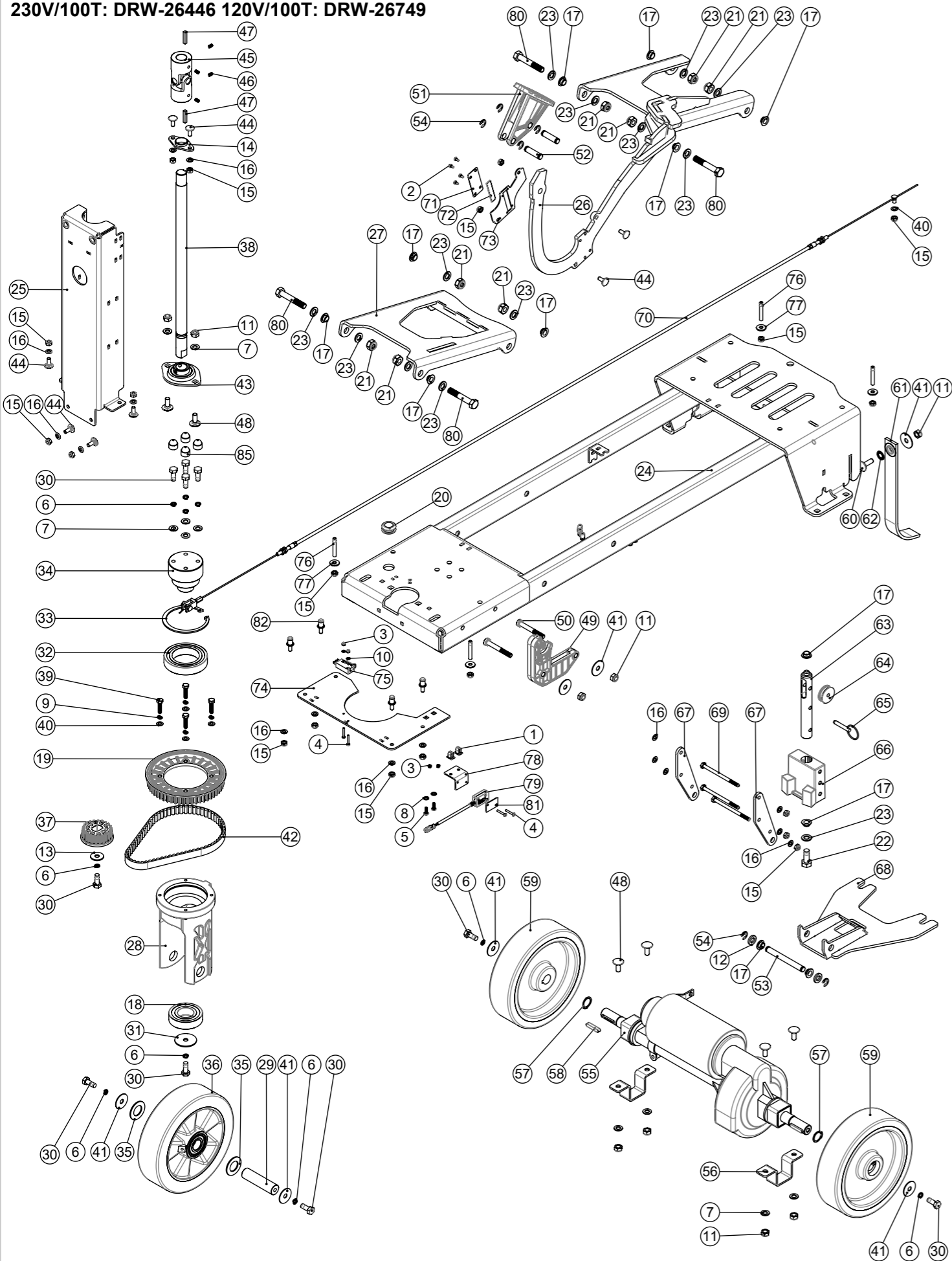
Model No: CRG8055 & CRG8072 CHASSIS ASSEMBLY

NB: FOR WIRING SEE DRAWING:  
 230V/120T: DRW-25826 120V/120T: DRW-26750  
 230V/100T: DRW-26446 120V/100T: DRW-26749

911730

DRAWING: DRW-26083 ISS:A08  
 18/11/201

9

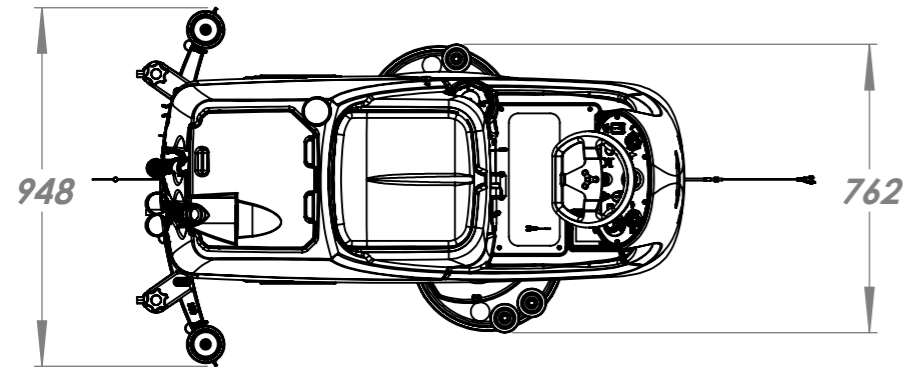
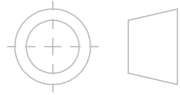


# Numatic International Spare Parts

Model No: CRG8055 & CRG8072 CHASSIS ASSEMBLY

ITEM:	PART No:	DESCRIPTION	COMMENTS:	QTY
1	900986	NYLON GROMMET NUT (PLASTIC INSERT TO SUIT No 8 PLASTITE SCREW)		2
2	208963	SNAP BLACK RIVET (REF SR-3055B)		4
3	291154	M3 NYLON INSERT NUT STAINLESS STEEL		4
4	291155	M3 X 20MM LONG POZI PAN SCREW STAINLESS STEEL		4
5	219569	No8 X 1/2 INCH LONG POZI PAN STAINLESS STEEL PLASTITE SCREW		2
6	219898	M8 SINGLE COIL STAINLESS STEEL WASHER		10
7	219578	M8 FORM A STAINLESS STEEL WASHER		10
8	219355	M5 FORM A STAINLESS STEEL WASHER		2
9	219718	WASHER.M6.SPRING.STAINLESS STEEL		4
10	219501	M3 FORM A STAINLESS STEEL WASHER		2
11	219639	M8 STAINLESS STEEL NYLON INSERT NUT		9
12	219964	NYLON WASHER (18MM O/D X 10.4MM I/D X 3MM THICK)		2
13	219716	M8 FORM G STAINLESS STEEL WASHER		1
14	208110	IGUS (R) 2 BOLT PLAIN BEARING 20MM I/D		1
15	219642	M6 STAINLESS STEEL NYLON INSERT NUT		20
16	219870	M6 FORM A WASHER STAINLESS STEEL		16
17	208330	IGUS BEARING (GFM 101206)		12
18	208878	BEARING I/D30MM O/D62MM		1
19	237680	LARGE PULLEY 56TH		1
20	208143	20MM GROMMET X 6MM PANEL THICKNESS		1
21	219897	M10 STAINLESS STEEL NYLON INSERT NUT		8
22	291141	M10 X 25MM LG HEX HEAD SCREW STAINLESS STEEL C/W THREADLOCK		1
23	291163	NYLON WASHER 18MM O/D X 10.5MM I/D X 2MM		13
24	906674	CRG CHASSIS WELD ASSEMBLY PAINTED SILVER		1
25	906647	STEERING COLUMN SUPPORT ASSEMBLY PAINTED SILVER		1
26	906681	DECK LINK & PEDAL ARM WELD ASSY (CRG) Z/PL		1
27	906668	PEDAL LINK ARM WELD ASSEMBLY (CRG) Z/PL		1
28	208869	STEERING YOKE		1
29	291110	AXLE 20MM OD X 77MM LONG		1
30	291140	M8 X 20MM LG HEX HEAD SCREW STAINLESS STEEL C/W THREADLOCK		10
31	392381	STEERING WASHER		1
32	208871	BEARING I/D50MM O/D80MM		1
33	208872	80MM INTERNAL CIRCLIP		1
34	291109	STEERING SPIGOT		1
35	291162	M20 FORM B STAINLESS STEEL WASHER		2
36	204120	WICKE 200 X 50MM ALU WHEEL		1
37	237679	SMALL PULLEY 22TH		1
38	906648	LOWER STEERING SHAFT (CRG)		1
39	219925	M6 x 25MM LONG STAINLESS STEEL HEX SCREW		4
40	219560	M6 FORM B STAINLESS STEEL WASHER		5
41	219877	M8 X 30 STAINLESS STEEL WASHER		7
42	208897	BELT (GATES-GT3 560 8MGT 15MM)		1
43	208884	2 PART PRESSED FLANGE BEARING		1
44	291103	M6 X 16 COACH BOLT S/S		8
45	206936	UNIVERSAL JOINT		1
46	219784	M5 X 8MM LONG BLACKODISED GRUB SCREW		4
47	905374	UNIVERSAL JOINT KEY	SPARE PART	2
48	291104	M8 X 20 COACH BOLT S/S		6
49	237677	LATCH MOULDING		1
50	291157	M8 X 60MM LONG HEX BOLT STAINLESS STEEL		2
51	903860	PEDAL MOULDING (RED)		1
52	291097	38 X10MM BAR (E TYPE CLIP)		2
53	291098	94 X10MM BAR (E TYPE CLIP)		1
54	291107	E TYPE CLIP (TO SUIT 10mm BAR)		6
55	205190	530MM ASI TRANSAXLE 21:1 HIGH SPEED (MK400)		1
56	329780	TRANSAXLE CLAMP		2
57	219889	19MM HEAVY DUTY CIRCLIP		2
58	206744	6MM X 6MM X 32MM FEATHER KEY		2
59	901209	200 X 50 TRACTION WHEEL (PLASTIC)		2
60	902010	M8 X 25 COACH BOLT S/S		1
61	903683	ANTI-STATIC STRAP (CUT TO LENGHT: 270MM LONG)		1
62	291062	M10 INTERNAL LOCK WASHER STAINLESS STEEL		1
63	291100	SQUEEGEE PIVOT BAR		1
64	208898	NYLON PULLEY 32MM OD		1
65	206953	DETENT PINS		1
66	237676	MULTI BLOCK MOULDING		1
67	392436	PIVOT SIDE PLATE		2
68	304516	MOOSE PLATE WELD ASSEMBLY		1
69	291021	M6 X 90MM LONG STAINLESS STEEL HEXAGONAL HEAD BOLT		3
70	291099	CRO 8055 SQ. LIFT CABLE		1
71	906662	MAGNET COVER (CRG)		1
72	906661	MAGNET (50 x 10 x 1.5mm)		1
73	906669	CRG MAGNET HOLDER PLATE M/S PAINTED SILVER		1
74	906652	CRG SWITCH PLATE		1
75	208986	IP RATED MICROSWITCH WITH ROLLER		1
76	291158	M6 X 40MM LONG GRUB SCREW STAINLESS STEEL C/W THREADLOCK		4
77	219647	M6 FORM G STAINLESS STEEL WASHER		4
78	906653	CRG REED SWITCH BRACKET		1
79	904501	REED SWITCH ASSEMBLY		1
80	219894	M10 X 60MM LONG HEXAGONAL STAINLESS STEEL BOLT		4
81	906617	REED SWITCH WASHER PLATE		1
82	907241	M6 X 15 RIVET STUD		4
83	237730	SPRING CLIP		2
84	219683	No6 X 3/8 INCH LONG POZI PAN BLACK COUNTERSUNK PLASTITE SCREW		4
85	903260	M8 BOLT AND NUT CAP		4

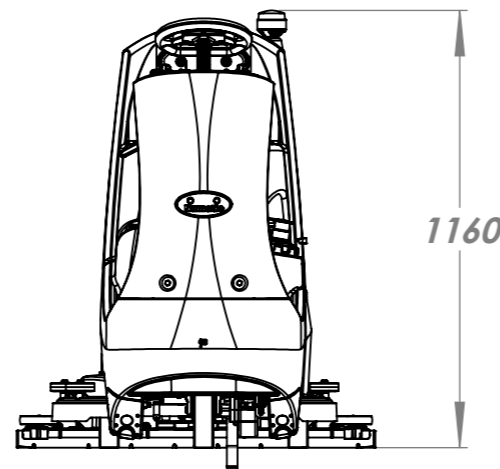
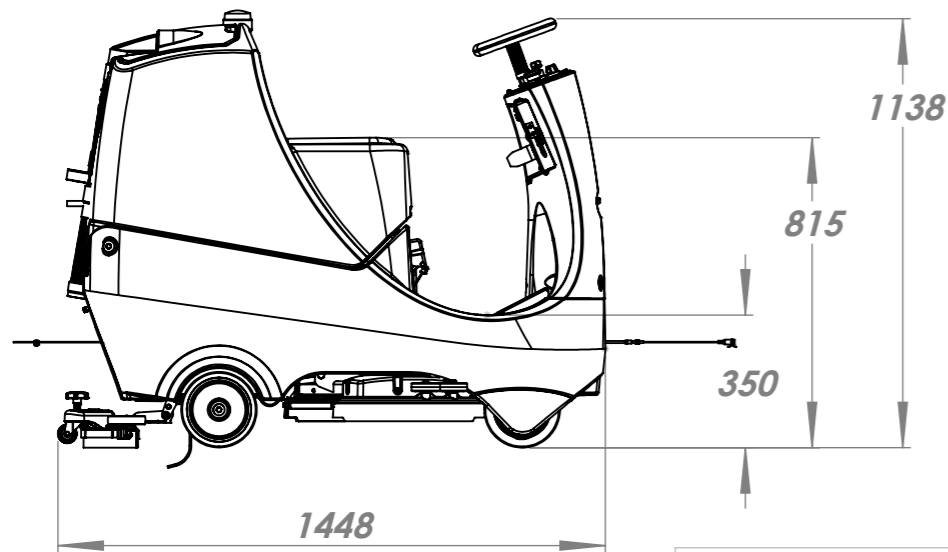
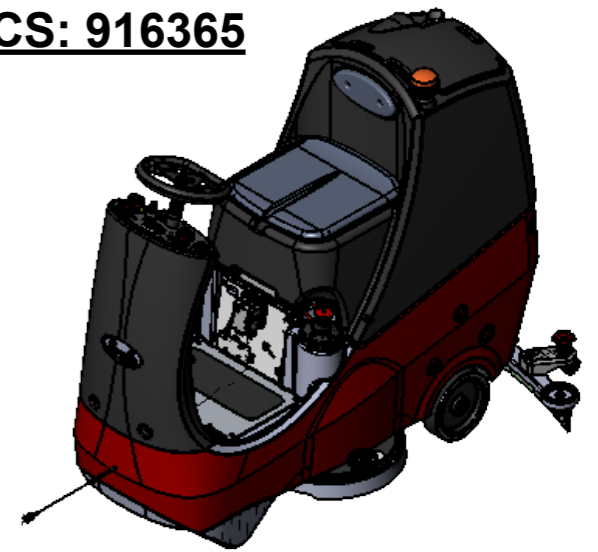
THIRD ANGLE PROJECTION



<b>NET WEIGHT:</b> CRL8072/50	162 Kg (357 lbs)	<b>RUN TIME:</b> 1 X 50 Ah (25.6V)	1hr20	<b>CAPACITY</b>	80L/80L (21.1/21.1 US GAL)
<b>NET WEIGHT:</b> CRL8072/100	174 Kg (384 lbs)	<b>RUN TIME:</b> 2 X 50 Ah (25.6V)	2hr45	<b>WATER FLOW RATES</b>	0-3.5 LITRES/MIN (0-0.92 US GAL/MIN)
<b>BRUSH WEIGHT</b>	32 Kg (70 lbs)	<b>TOTAL BATTERY WEIGHT:</b> CRL8072/50	10.7Kg (23.6bs)	<b>CLEANING AREA</b>	2592m <sup>2</sup> @3.6Km/Hour (27900ft <sup>2</sup> @2.2mph)
<b>BRUSH PRESSURE</b>	19.9 G/cm <sup>2</sup> (0.28lb/in <sup>2</sup> )	<b>TOTAL BATTERY WEIGHT:</b> CRL8072/100	21.4Kg (47.2lbs)	<b>SOUND PRESSURE</b>	≤70 dB(A)
<b>PAD WIDTH</b>	700mm (27.5in) (2X 360mm)	<b>CHARGE TIMES</b>	CRL8072/50: 2.5 hrs CRL8072/100: 5hrs	<b>HAND ARM VIBRATION</b>	ah≤2.5m/s <sup>2</sup>
<b>PAD PRESSURE</b>	16.6 G/cm <sup>2</sup> (0.24lb/in <sup>2</sup> )	<b>BRUSH WIDTH</b>	720mm (28.5in) (2X 370mm)	<b>WHOLE BODY VIBRATION</b>	aw≤0.5m/s <sup>2</sup>
<b>BRUSH</b>	600W (25.6V)	<b>BRUSH SPEED</b>	150 rpm	<b>HEIGHT</b>	1160mm (46.5in)
<b>VAC</b>	400W (25.6V)	<b>AIRFLOW</b>	24.2 L/Sec (6.4 USGAL/Sec) SUCTION: 120mbar	<b>LENGTH</b>	1450mm (57in)
<b>TRANSAXLE</b>	400W (25.6V)	<b>TRANSIT SPEED</b>	0- 6 Km/h(0- 3.7mph)	<b>WIDTH</b>	948mm (37.5in)

**CRL8072 - LESS BATTERIES 917236**  
**CRL8072/50: 916222**  
**CRL8072/100: 915185**

**CRL8072 - LESS BATTERIES TELEMATICS 917237**  
**CRL8072/50 TELEMATICS: 916364**  
**CRL8072/100 TELEMATICS: 916365**



*This article must not contain greater than 0.1% w/w of substances that are on the candidate list for Annex XIV of the REACH regulations. All components must be ROHS compliant.*

**TOOL NUMBER:** -

**WEIGHT:**

**Numatic INTERNATIONAL LTD** MILLFIELD ROAD, CHARD, SOMERSET ENGLAND TA20 2GB

THE EXAMPLE SHOWN DETAILS THE METHOD USED FOR IDENTIFYING CRITICAL (INSPECTION) DIMENSIONS WHERE APPLICABLE

**TOLERANCES:-** LINEAR: 0 DECIMAL PLACES = +/- 1.0mm  
 1 DECIMAL PLACE = +/- 0.25mm  
 2 DECIMAL PLACES = +/- 0.05mm  
 ANGULAR:- +/- 0.5 DEGREE

**TITLE:-** CRL8072 TECHNICAL SPECIFICATIONS

**DIMENSIONS IN MILLIMETERS** **MATERIAL:-** **ITEM No(s):-**  
 916222, 915185, 916364, 916365, 917236, 917237

**FINISH:-** **DRG No:-** DRW-38948

A10 New Less Batteries configurations and item numbers created

**REVISION: CHANGE DETAIL:**

**DRAWN: APPD: DATE:**

Darren Knight KD 03/07/2023

THIS DRAWING IS COPYRIGHT AND IS THE PROPERTY OF NUMATIC INTERNATIONAL LTD. AND MUST NOT BE USED WITHOUT THEIR KNOWLEDGE NOR COMMUNICATED TO ANY PERSON OR COMPANY.

PRINT SIZE

**A3**

NOT TO SCALE

1

ST\_Numatic\_A3.sldprt 20030224

3

4

5

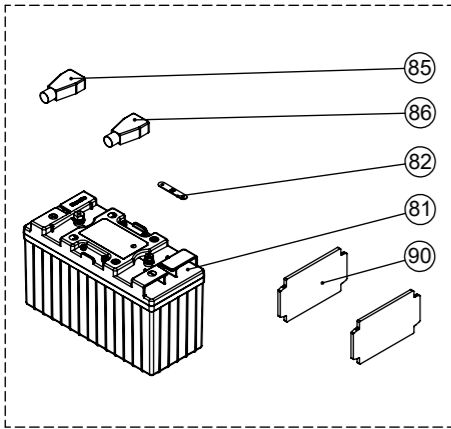
6

# Numatic International Spare Parts

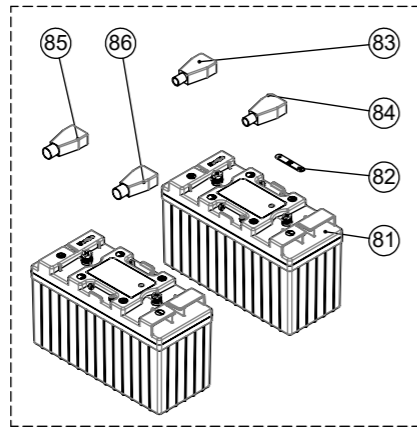
Model No: CRL8055 & CRL8072 BOTTOM TANK ASSEMBLY

915172, 916215, 917230  
DRAWING: DRW-38792 ISS:A07  
~~03/07/2020~~ WIRING SEE DRAWING:

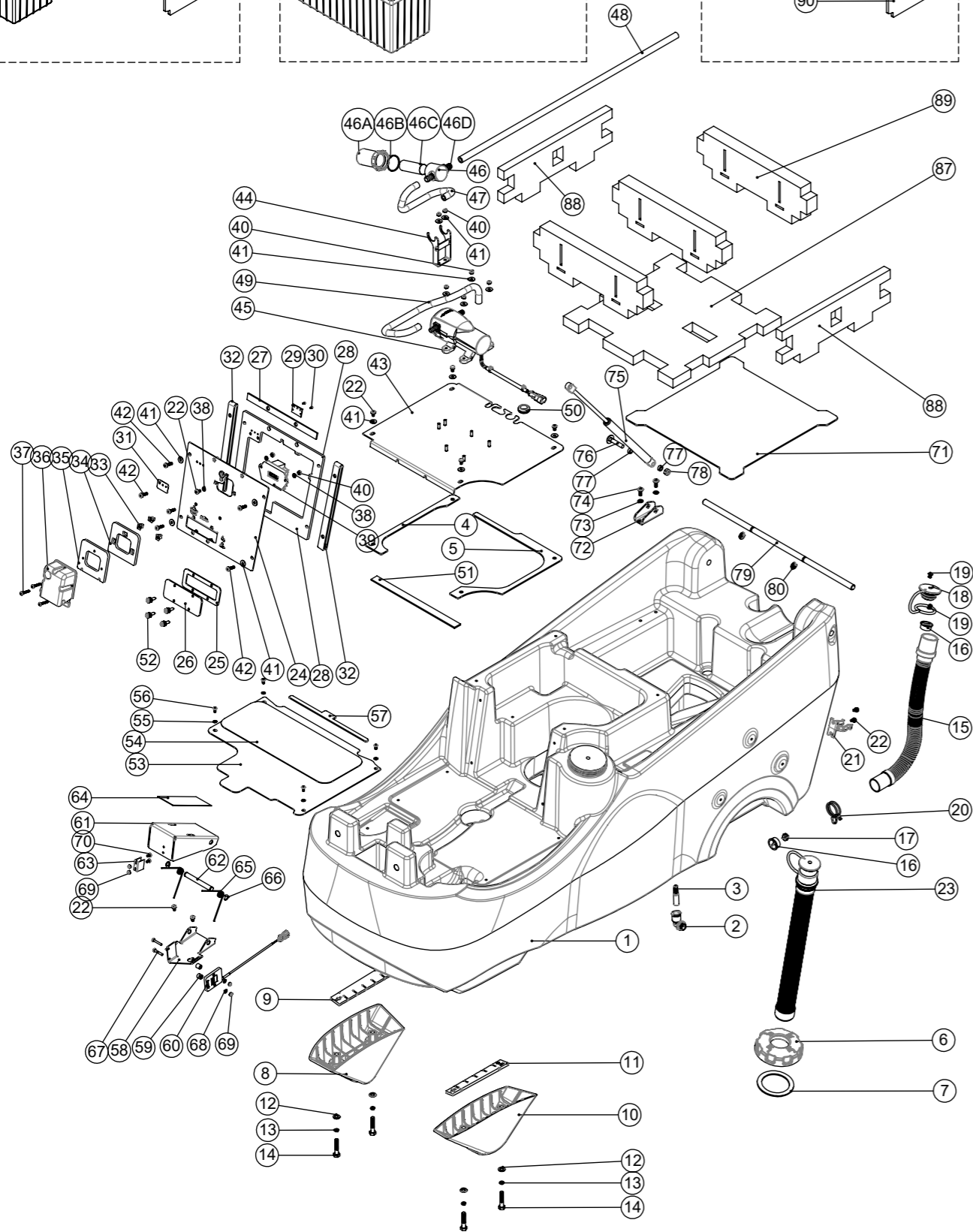
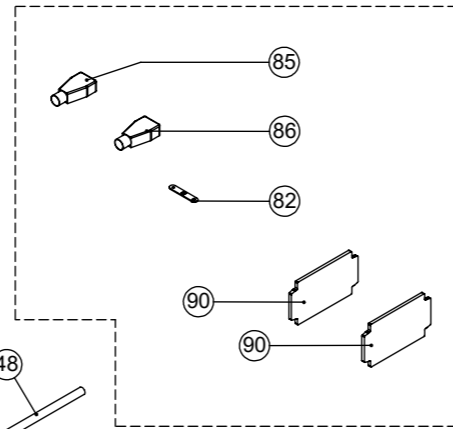
## 1 BATTERY - 916215



## 2 BATTERY - 915172



## LESS BATTERIES - 917230



# Numatic International Spare Parts

Model No: CRL8055 & CRL8072 BOTTOM TANK ASSEMBLY

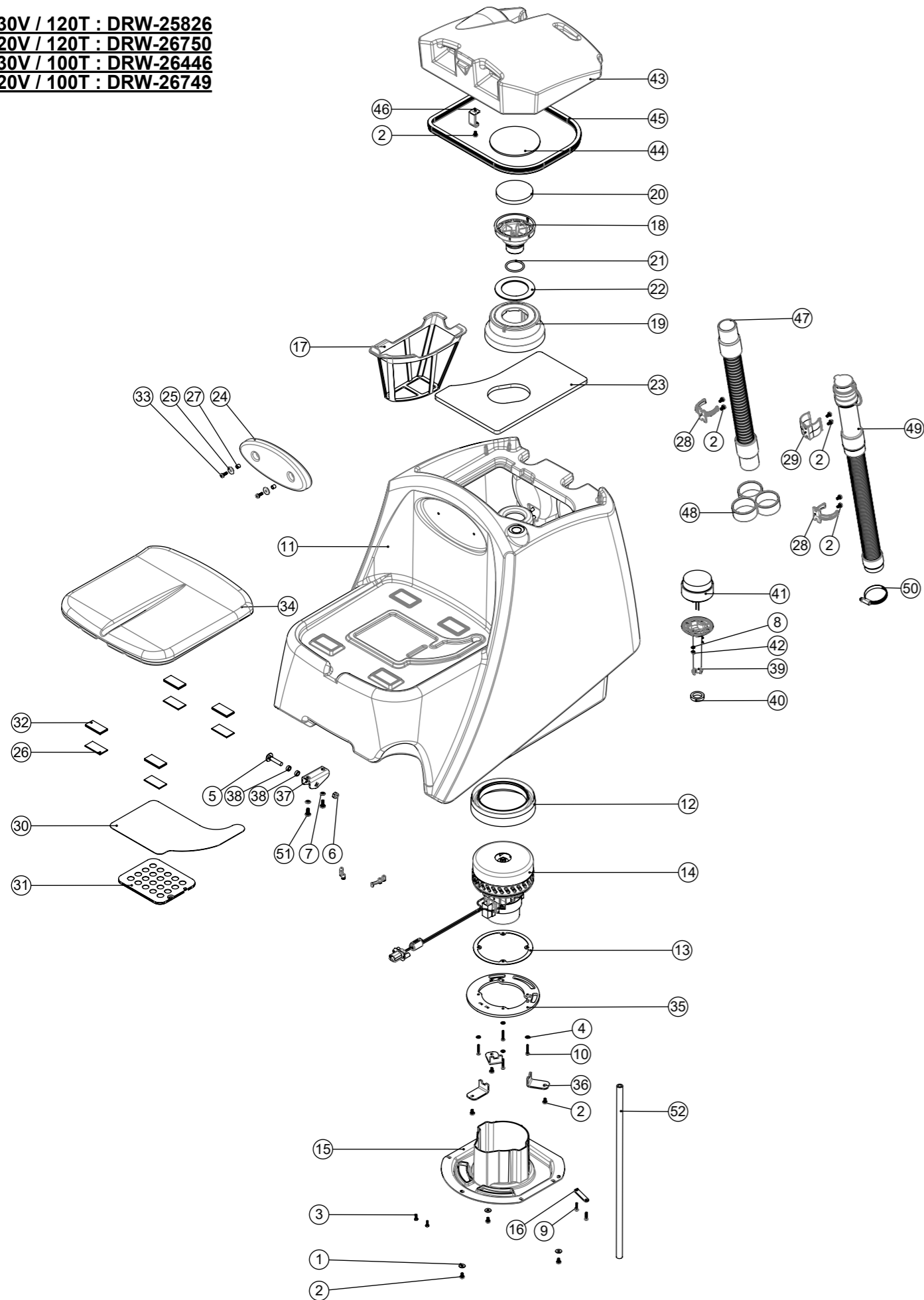
ITEM:	ITEM No:	DESCRIPTION:	COMMENTS:	QTY:
1	237682	MINI RIDE ON BOTTOM TANK		1
2	901539	ELBOW ANGLE CONNECTOR 3/8 PARALLEL THREAD C/W O-RING TO 12MM PUSH IN		1
3	901534	PUSH IN BARBED CONNECTOR - 12MM OD 8MM ID		1
4	203028	CRO PUMP PLATE GASKET RH		1
5	203027	CRO PUMP PLATE GASKET LH		1
6	237174	FILLER CAP WITH FILLER HOSE HOLE		1
7	208564	FILLER CAP SEALING RING		1
8	237684	BOTTOM TANK SCUFF MOULDING RHS		1
9	392464	RHS SCUFF MOULDING SPACER		1
10	237685	BOTTOM TANK SCUFF MOULDING LHS		1
11	392465	LHS SCUFF MOULDING SPACER		1
12	219578	M8 FORM A STAINLESS STEEL WASHER		4
13	219898	M8 SINGLE COIL STAINLESS STEEL WASHER		4
14	291112	M8 X 40 LONG HEX BOLT STAINLESS STEEL		4
15	208938	25MM X 455MM LG DUMP HOSE		1
16	904108	FLOAT STOP MOULDING		2
17	904109	FLOAT MOULDING		1
18	903341	32MM HOSE CAP RED (C/W 8MM HOLE)		1
19	904403	BARBED RIVET BLACK		2
20	902133	SPRING WIRE CLAMP (YDNAC-Y8010356)		1
21	901916	28mm HOSE CLIP		1
22	291135	M5 X 10MM LONG STAINLESS STEEL POZI PAN SEMS SCREW		9
23	903696	28MM X 370MM LONG 3:1 STRETCH HOSE C/W RED CAP & STRAP		1
24	906657	ELECTRONICS FRONT COVER ASSY PAINTED SILVER (CRG)		1
25	906659	FUSE PANEL GASKET (CRG)		1
26	906655	FUSE PANEL COVER		1
27	906663	FRONT COVER TOP GASKET		1
28	906654	ELECTRONICS FRONT COVER SPACER PLATE (CRG)		1
29	280002	CHARGER LED DISPLAY PCB		1
30	219978	M2 X 6MM LONG POZI PAN SCREW		2
31	208978	CHARGER LIGHTS OVERLAY		1
32	280008	FRONT COVER PLATE GASKET		2
33	900986	NYLON GROMMET NUT (PLASTIC INSERT TO SUIT No 8 PLASTITE SCREW)		3
34	904505	IEC SOCKET SPACER PP		1
35	904504	IEC SOCKET SECONDARY SPACER PP		1
36	904032	240V EMI FILTER WITH SOCKET COVER ASSEMBLY C/W FLAP		1
37	219369	No 8 X 1 INCH LONG POZI PAN STAINLESS STEEL PLASTITE SCREW		3
38	219355	M5 FORM A STAINLESS STEEL WASHER		3
39	906722	BRUSH ENGAGE PCB ASSEMBLY		1
40	219633	M5 STAINLESS STEEL NYLON INSERT NUT		8
41	219644	M5 FORM G STAINLESS STEEL WASHER		14
42	291133	M5 X 20MM LONG STAINLESS STEEL POZI PAN SEMS SCREW		6
43	392419	CRO PUMP AND FILTER PLATE CLINCH STUD ASSY		1
44	304521	FILTER PLATE ASSEMBLY		1
45	230278	WATER PUMP ASSEMBLY		1
46	208888	EXTENDED STRAINER		1
46A	208890	EXTENDED STRAINER CLEAR BOWL	SPARE PART	1
46B	208830	STRAINER GASKET	SPARE PART	1
46C	208889	EXTENDED STRAINER 50 MESH SCREEN	SPARE PART	1
46D	208827	STRAINER BLACK TOP	SPARE PART	1
47	391525	CRO FILTER TO PUMP TUBE 300MM LG		1
48	391526	CRO TANK TO FILTER TUBE 700MM LG		1
49	904296	CRO PUMP TO FLOW DIVIDER TUBE 470MM LG		1
50	219934	GROMMET		1
51	906664	3MM X 19MM INSEAL TYPE 3259 (270MM)		1
52	904491	M5 x16MM SLOT KNURLED THUMB SCREW NYLON (WHITE)		4
53	392421	FOOT PLATE		1
54	208998	ANTI-SLIP TREAD PAD (SELF ADHESIVE)		1
55	219016	M5 SHAKEPROOF WASHER		4
56	291004	M5 X 10MM LONG STAINLESS STEEL BUTTON HEAD SCREW		4
57	280014	FOOT PLATE EDGE SEAL		1
58	329841	ACCELERATOR HINGE PLATE		1
59	219574	NYLON SPACER		2
60	N/A	GILL SENSOR ASSEMBLY C/W EDAC 5 WAY PLUG		1
61	329840	ACCELERATOR PEDAL COVER		1
62	208046	CIRCLIP BAR		1
63	329842	GILL SENSOR ACTIVATOR PLATE - PAINTED SILVER GREY		1
64	903855	ACCELERATOR GRIP PAD (RED)		1
65	208047	TORSION SPRING (LEFT HAND)		2
66	219586	10MM EXTERNAL CIRCLIP		2
67	291165	M4 X 25MM LONG POZI SCREW STAINLESS STEEL		2
68	219688	M4 FORM A STAINLESS STEEL WASHER		2
69	219687	M4 STAINLESS STEEL NYLON INSERT NUT		4
70	219697	M4 X 8MM LONG POZI PAN STAINLESS STEEL SCREW		2
71	392501	BATTERY PLATE		1
72	392455	GAS STRUT BRACKET - CARRIAGE BOLT		1
73	219870	M6 FORM A WASHER STAINLESS STEEL		2
74	219646	M6 X 16MM LONG POZI PAN STAINLESS STEEL SCREW		2
75	208907	GAS STRUT C/W END FITTINGS 100NM		1
76	291120	M8 X 40 CARRIAGE BOLT S/S		1
77	291121	NYLON SPACER I/D 8.2MM X O/D 12MM X 5MM LG		2
78	219639	M8 STAINLESS STEEL NYLON INSERT NUT		1
79	208902	MINI RIDE ON PIVOT BAR		1
80	208072	PLASTIC FIXING RING		2
81	911948	NX1K BATTERY [LFP]	LESS BATTERIES QTY x 0 BATTERY QTY x 1	2
82	N/A	CANBUS HI-LO CONNECTOR PCB		1
83	906147	RED BATTERY TERMINAL COVER (415N8F02)	LESS BATTERIES & 1-BATTERY QTY x 0	1
84	906148	BLACK BATTERY TERMINAL COVER (415N8F14)	LESS BATTERIES & 1-BATTERY QTY x 0	1
85	915218	RED BATTERY TERMINAL COVER (415N0V02) (19.05MM DIA)		1
86	915219	BLACK BATTERY TERMINAL COVER (415N0V14) (19.05MM DIA)		1
87	915081	CRG8055/72 SLOTTED BATTERY TRAY - BASE (25mm)		1
88	915073	CRG8055/72 SLOTTED BATTERY TRAY - SIDE WALL (20mm)		2
89	915072	CRG8055/72 SLOTTED BATTERY TRAY - WALL (33mm)		3
90	916202	SINGLE BATTERY FOAM SPACER	LESS BATTERIES & 1-BATTERY CONFIG ONLY	2

# Numatic International Spare Parts

Model No: CRG8055 & CRG8072 TOP TANK ASSEMBLY

NB: FOR WIRING SEE DRAWING:

230V / 120T : DRW-25826  
 120V / 120T : DRW-26750  
 230V / 100T : DRW-26446  
 120V / 100T : DRW-26749



911732  
 DRAWING: DRW-26084 ISS:A06  
 18/11/201  
 9

# Numatic International Spare Parts

Model No: CRG8055 & CRG8072 TOP TANK ASSEMBLY

ITEM:	PART No:	DESCRIPTION	COMMENTS:	QTY
1	219644	M5 FORM G STAINLESS STEEL WASHER		3
2	291135	M5 X 10MM LONG STAINLESS STEEL POZI PAN SEMS SCREW		13
3	219569	No8 X 1/2 INCH LONG POZI PAN STAINLESS STEEL PLASTITE SCREW		2
4	219355	M5 FORM A STAINLESS STEEL WASHER		4
5	291120	M8 X 40 CARRIAGE BOLT S/S		1
6	219639	M8 STAINLESS STEEL NYLON INSERT NUT		1
7	219870	M6 FORM A WASHER STAINLESS STEEL		2
8	219688	M4 FORM A STAINLESS STEEL WASHER		2
9	219568	NO8.3/4 INCH LG.POZI-PAN.SCREW.STAINLESS STEEL.PLASTITE		2
10	219369	No8 X 1 INCH LONG POZI PAN STAINLESS STEEL PLASTITE SCREW		4
11	903722	MINI RIDE ON TOP TANK GRAPHITE		1
12	202069	BOTTOM MOTOR GASKET		1
13	202139	MOTOR GASKET		1
14	323258	VAC MOTOR 24V WITH PLUG AND FERRITE		1
15	237620	EXHAUST DIVERTER MOULDING		1
16	392496	WIRE RETAINER		1
17	903542	GRIT FILTER BASKET (RED)		1
18	237618	AIR FILTER MOULDING		1
19	237619	VAC SHUT OFF MOULDING		1
20	208861	AIR FILTER		1
21	208860	O RING 39MM ID X 3.5MM DIA.		1
22	208858	LOWER SEALING RING		1
23	208980	CRO FOAM PAD		1
24	208864	BACK PAD MOULDING		1
25	291118	M5 STAINLESS STEEL WASHER 19MM OD		2
26	208865	VELCRO LOOP 50 X 25 SELF ADHESIVE BACKED		4
27	208475	8MM SPACER		2
28	237754	35-38MM HOSE CLIP		2
29	237382	ACETAL HOSE CLIP MOULDING		1
30	208983	SEAT SWITCH FLEXIBLE MEMBRANE		1
31	323290	PRESSURE PAD		1
32	280003	50MM X 25MM BACK TO BACK (HOOK & LOOP)		4
33	291132	M5 X 16MM LONG STAINLESS STEEL POZI PAN SEMS SCREW		2
34	208862	SEAT MOULDING		1
35	906638	CRO MOTOR MOUNT PLATE		1
36	906637	CRO VAC MOTOR SUPPORT BRACKET		3
37	392455	GAS STRUT BRACKET - CARRIAGE BOLT		1
38	291121	NYLON SPACER I/D 8.2MM X O/D 12MM X 5MM LG		2
39	237681	BEACON MOUNT		1
40	208984	32MM O/D X 22MM I/D X 7MM SELF ADHESIVE GASKET		1
41	N/A	FLASHING XENON BEACON X80 SERIES		1
42	219687	M4 STAINLESS STEEL NYLON INSERT NUT		2
43	903725	MINI RIDE ON SEPARATOR GRAPHITE		1
44	208899	UPPER SEALING DISC		1
45	304503	1045mm LONG SEALING STRIP		1
46	330200	CRO SEPARATOR BRACKET ASSY		1
47	213061	SUCTION HOSE 1330MM X Ø38MM		1
48	237718	HOSE GUIDE		1
49	902468	35MM X 180MM STRETCH HOSE (3:1) C/W ADJUSTABLE CUFF + CAP		1
50	219919	32MM-50MM STAINLESS STEEL HOSE CLIP		1
51	219646	M6 X 16MM LONG POZI PAN STAINLESS STEEL SCREW		2
52	391528	EXHAUST DIVERTER DRAIN HOSE 500MM LG		1
53	237730	SPRING CLIP		2
54	219683	No6 X 3/8 INCH LONG POZI PAN BLACK COUNTERSUNK PLASTITE SCREW		4

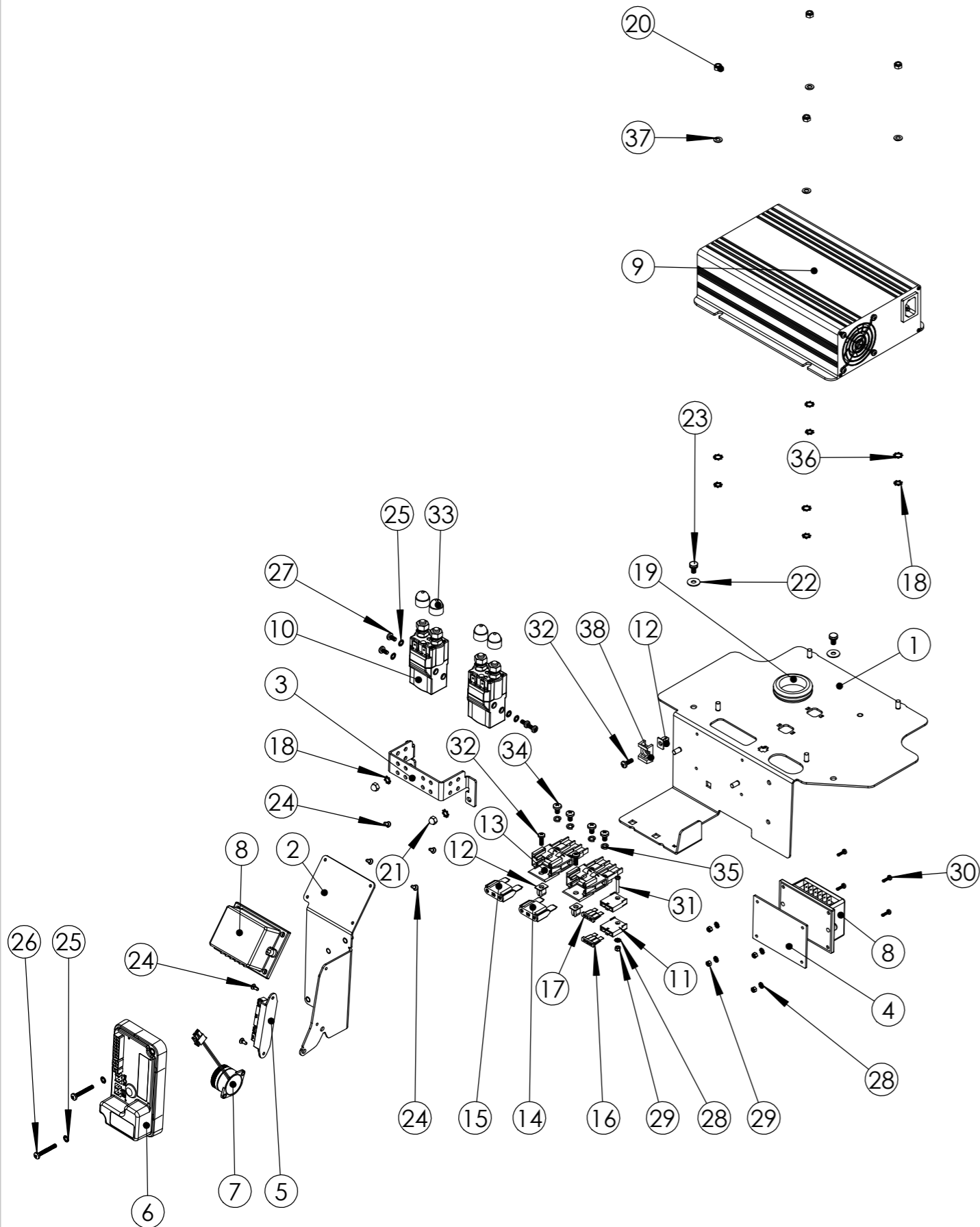
# Numatic International Spare Parts

**Model No:** CRL 8055/8072 LFP CHARGER ASSEMBLY

916332  
DRAWING: DRW-40778 ISS:A01  
08/02/2023

**NB: FOR WIRING SEE DRAWING:**

230V: DRW-39600  
120V: DRW-39647



# Numatic International Spare Parts

**Model No:** CRL 8055/8072 LFP CHARGER ASSEMBLY

ITEM:	PART No:	Description	Comments	QTY.
1	906644	CHARGER PLATE C/W CLINCH STUDS PAINTED SILVER		1
2	906642	MOTOR CONTROLLER PLATE ASSEMBLY PAINTED SILVER		1
3	906650	CONTACTOR BRACKET (CRG) M/S PAINTED SILVER		1
4	906660	MOTOR CONTROLLER ALI PLATE		1
5	208909	POTTED TERMINAL BLOCK ASSEMBLY		1
6	906686	PROGRAMMED 70A MOTOR CONTROLLER (CRG)		1
7	906671	24V DC BUZZER C/W CONNECTOR		1
8	905341	KEMO PWM POWER CONTROL 10A M171		2
9	914042	CHARGER. 24V.LFP		1
10	903736	24V ALBRIGHT CONTACTOR (SU60-2009)		2
11	906564	ATO FUSE HOLDER (FKH SERIES)		2
12	900986	NYLON GROMMET NUT (PLASTIC INSERT TO SUIT No 8 PLASTITE SCREW)		3
13	230102	FUSE HOLDER RATED AT 60 AMPS		2
14	230104	30 AMP MAXI FUSE		1
15	221091	20 AMP MAXI FUSE		1
16	906573	10 AMP FUSE		1
17	905570	4 AMP FUSE		1
18	291020	M5 STAINLESS STEEL EXTERNAL SHAKEPROOF LOCK WASHER		8
19	208029	GROMMET (32MM I/D)		1
20	219633	M5 STAINLESS STEEL NYLON INSERT NUT		4
21	219645	M5 STAINLESS STEEL DOME NUT		4
22	219644	M5 FORM G STAINLESS STEEL WASHER		2
23	291135	M5 X 10MM LONG STAINLESS STEEL POZI PAN SEMS SCREW		2
24	208963	SNAP BLACK RIVET (REF SR-3055B)		6
25	291145	M4 SHAKEPROOF WASHER STAINLESS STEEL		6
26	219913	M4 X 30MM LONG POZI PAN STAINLESS STEEL SCREW		2
27	219697	M4 X 8MM LONG POZI PAN STAINLESS STEEL SCREW		4
28	904219	M3 STAINLESS STEEL EXTERNAL SHAKEPROOF WASHER		5
29	291154	M3 NYLON INSERT NUT STAINLESS STEEL		5
30	902534	M3 X 10MM LONG POZI PAN SCREW STAINLESS STEEL		4
31	291155	M3 X 20MM LONG POZI PAN SCREW STAINLESS STEEL		1
32	219569	No8 X 1/2 INCH LONG POZI PAN STAINLESS STEEL PLASTITE SCREW		3
33	903260	M8 BOLT AND NUT CAP		4
34	219864	M5 X 8MM LONG POZI-PAN SCREW Z/PL		4
35	219861	M5 SINGLE COIL STAINLESS STEEL WASHER		4
36	902353	M6 EXTERNAL SHAKEPROOF WASHER STAINLESS STEEL		4
37	219355	M5 FORM A STAINLESS STEEL WASHER		4
38	220904	CABLE CLIP PLATFORM		1

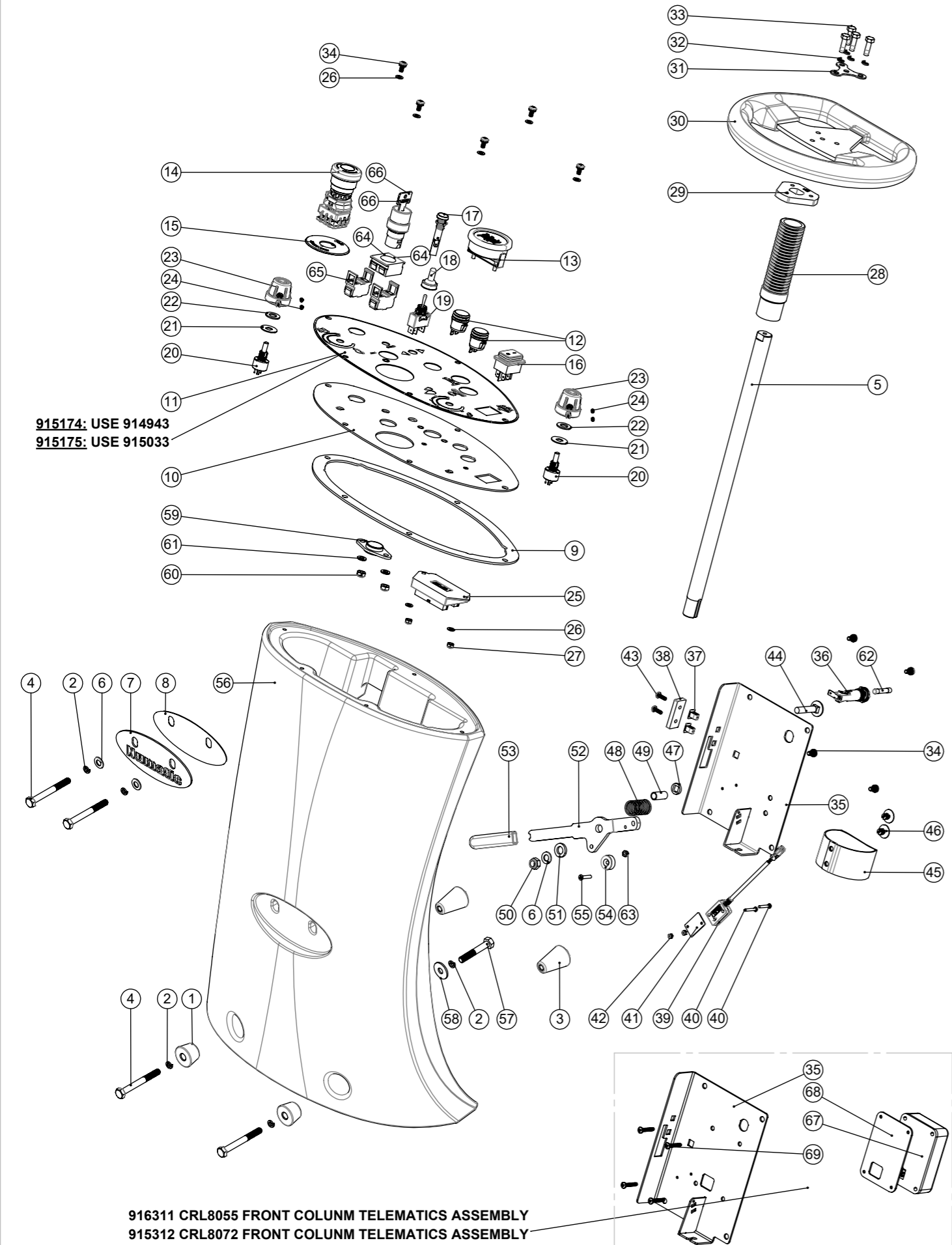
# Numatic International Spare Parts

**Model No:** CRL8055 & CRL8072 FRONT COLUMN ASSEMBLY

915174, 915175, 916311, 916312  
DRAWING: DRW-38793 ISS:A07  
19/04/2023

NB: FOR WIRING SEE DRAWING:

DRW-39647 - CRL8055 & CRL8072 LFP/120V/2 BATTERY  
DRW-39600 - CRL8055 & CRL8072 LFP/230V/2 BATTERY



# Numatic International Spare Parts

**Model No:** CRL8055 & CRL8072 FRONT COLUMN ASSEMBLY

ITEM:	ITEM No:	DESCRIPTION:	COMMENTS:	QTY.
1	208904	TAPERED BUSH (CLEARANCE)		2
2	219898	M8 SINGLE COIL STAINLESS STEEL WASHER		5
3	208903	TAPERED BUSH (TAPPED)		2
4	902517	M8 X 70MM LONG HEX BOLT STAINLESS STEEL		4
5	906649	UPPER STEERING SHAFT (CRG)		1
6	219578	M8 FORM A STAINLESS STEEL WASHER		3
7	392433	NUMATIC NAME PLATE		1
	392461	NACECARE NAME PLATE	NACECARE ONLY	
8	906731	NAME PLATE SPACER (RED P/P)		1
9	203040	CRO CONTROL PANEL GASKET (LOWER)		1
10	906632	CRG CONTROL PANEL C/W CLINCH STUDS PAINTED SIVER		1
11	914943	CRL8055 CONTROL PANEL OVERLAY	915174 ONLY	1
	915033	CRL8072 CONTROL PANEL OVERLAY	915175 ONLY	1
12	906658	SEALED PUSHBUTTON SWITCH SINGLE POLE		2
13	914748	NORD (LFP) BATTERY HOUR METER 24V (MODEL: 1428.306.01 BDI NE306 CAN NUMATIC)	O-RING INCLUDED	1
14	904087	EMERGENCY STOP (XW1E-BV412MFR)		1
15	904086	EMERGENCY STOP NAME PLATE (HWAV-27-Y)		1
16	902235	SWITCH DPST RED ILLUMINATED WITH MEMBRANE 24V		1
17	907298	24V LED GREEN INDICATOR (H0275OSSG6)		1
18	206785	SWITCH COVER C/W NUT		1
19	206786	SWITCH		1
20	270316	POTENTIOMETER TYPE P <sub>e</sub> 30 22k OHMS 20% 3W (WITH PANEL SEAL) (ROUND SHAFT WITH FLAT / NO SLOT IN SHAFT END)		2
21	904094	SPEED CONTROL GASKET		2
22	219903	M10 FORM A STAINLESS STEEL WASHER		2
23	903498	SPEED ADJUSTMENT KNOB C/W INSERT (RED)		2
24	219744	M4 X 6MM LONG BLACKODISED GRUB SCREW		4
25	904179	Terminal Block Assembly		1
26	219355	M5 FORM A STAINLESS STEEL WASHER		7
27	219633	M5 STAINLESS STEEL NYLON INSERT NUT		2
28	280023	STEERING SHAFT COVER HOSE 135MM LONG		1
29	404214	STEERING WHEEL PLATE		1
30	208900	GSL 255MM STEERING WHEEL		1
31	392500	STEERING WHEEL TOP PLATE		1
32	219718	WASHER.M6.SPRING.STAINLESS STEEL		4
33	291144	M6 X 20MM LG HEX HEAD SCREW STAINLESS STEEL C/W THREADLOCK		4
34	291135	M5 X 10MM LONG STAINLESS STEEL POZI PAN SEMS SCREW		9
35	906634	CRO FLOOR TOOL LIFTING HANDLE BRACKET WELD ASSY		1
	916227	[TELEMATICS] CRL FLOOR TOOL LIFTING HANDLE BRACKET WELD ASSY	916311 and 916312	1
36	903032	BULGIN PANEL MOUNT FUSEHOLDER		1
37	900986	NYLON GROMMET NUT (PLASTIC INSERT TO SUIT No 8 PLASTITE SCREW)		2
38	906635	GUIDER (PP)		1
39	904501	REED SWITCH ASSEMBLY		1
40	291155	M3 X 20MM LONG POZI PAN SCREW STAINLESS STEEL		2
41	906617	REED SWITCH WASHER PLATE		1
42	291154	M3 NYLON INSERT NUT STAINLESS STEEL		2
43	219569	No8 X 1/2 INCH LONG POZI PAN STAINLESS STEEL PLASTITE SCREW		2
44	291120	M8 X 40 CARRIAGE BOLT S/S		1
45	906639	BOTTLE PLATE (RED)		1
46	208024	PUSH IN BARBED FASTENER		2
47	906640	CARRIAGE BOLT SPACER		1
48	219592	COMPRESSION SPRING		1
49	906651	SPACER (S/S 10MM O/D 8MM I/D X 22MM LONG)		1
50	219639	M8 STAINLESS STEEL NYLON INSERT NUT		1
51	219964	NYLON WASHER (18MM O/D X 10.4MM I/D X 3MM THICK)		1
52	392431	FLOOR TOOL LIFTING HANDLE		1
53	903870	LEVER HANDLE MOULDING RED		1
54	208382	MAGNET(19MM O/D)		1
55	907092	M4 X 20MM LG. POZI CSK SCREW (STAINLESS STEEL)		1
56	903721	MINI RIDE ON STEERING COLUMN GRAPHITE		1
57	906704	M8 X 50MM LONG HEX BOLT STAINLESS STEEL		1
58	219716	M8 FORM G STAINLESS STEEL WASHER		1
59	208110	IGUS (R) 2 BOLT PLAIN BEARING 20MM I/D		1
60	219642	M6 STAINLESS STEEL NYLON INSERT NUT		2
61	219870	M6 FORM A WASHER STAINLESS STEEL		2
62	903066	FUSE 2.5A (6.3x32)		1
63	219687	M4 STAINLESS STEEL NYLON INSERT NUT		1
64	907150	FIXING ADAPTER (020G)		1
65	907151	TERMINAL BLOCK N.O. (020E10)		2
66	907149	KEY SWITCH SELECTOR (020SCA1)	907208 SPARE KEY	1
67	912615	TELEMATICS MODULE ASSEMBLY - GRAPHITE GREY	916311 and 916312	1
68	912151	ADHESIVE PAD - TELEMATICS	916311 and 916312	1
69	219369	No8 X 1 INCH LONG POZI PAN STAINLESS STEEL PLASTITE SCREW	916311 and 916312	4