

Numatic International Spare Parts

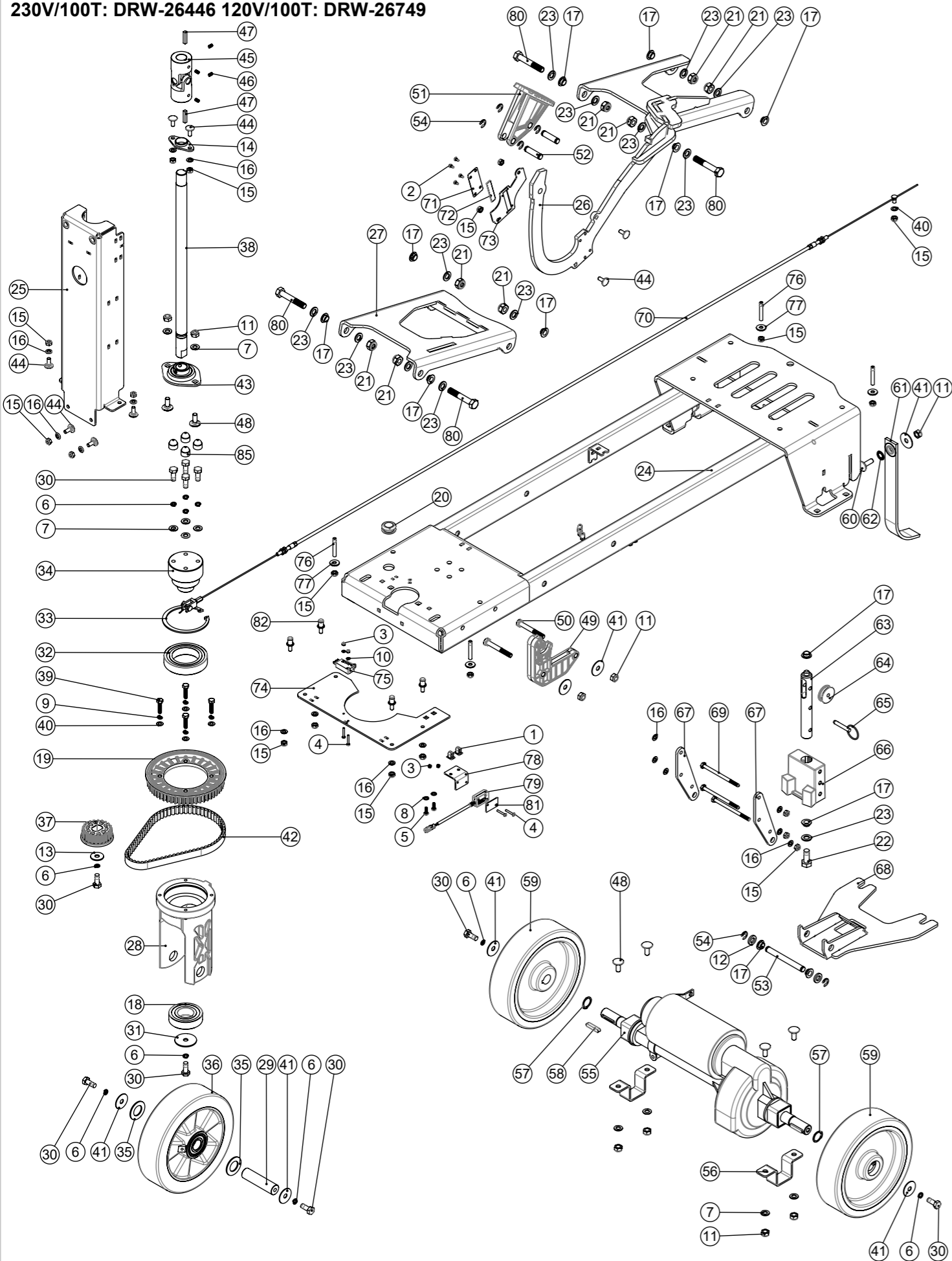
Model No: CRG8055 & CRG8072 CHASSIS ASSEMBLY

NB: FOR WIRING SEE DRAWING:
 230V/120T: DRW-25826 120V/120T: DRW-26750
 230V/100T: DRW-26446 120V/100T: DRW-26749

911730

DRAWING: DRW-26083 ISS:A08
 18/11/201

9

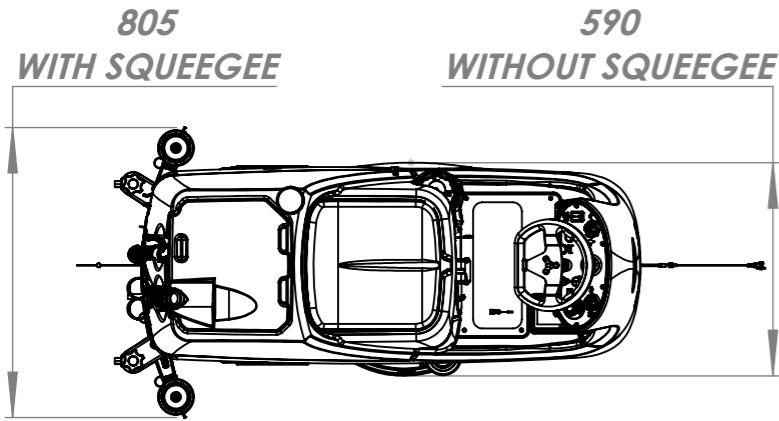
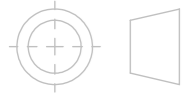


Numatic International Spare Parts

Model No: CRG8055 & CRG8072 CHASSIS ASSEMBLY

ITEM:	PART No:	DESCRIPTION	COMMENTS:	QTY
1	900986	NYLON GROMMET NUT (PLASTIC INSERT TO SUIT No 8 PLASTITE SCREW)		2
2	208963	SNAP BLACK RIVET (REF SR-3055B)		4
3	291154	M3 NYLON INSERT NUT STAINLESS STEEL		4
4	291155	M3 X 20MM LONG POZI PAN SCREW STAINLESS STEEL		4
5	219569	No8 X 1/2 INCH LONG POZI PAN STAINLESS STEEL PLASTITE SCREW		2
6	219898	M8 SINGLE COIL STAINLESS STEEL WASHER		10
7	219578	M8 FORM A STAINLESS STEEL WASHER		10
8	219355	M5 FORM A STAINLESS STEEL WASHER		2
9	219718	WASHER.M6.SPRING.STAINLESS STEEL		4
10	219501	M3 FORM A STAINLESS STEEL WASHER		2
11	219639	M8 STAINLESS STEEL NYLON INSERT NUT		9
12	219964	NYLON WASHER (18MM O/D X 10.4MM I/D X 3MM THICK)		2
13	219716	M8 FORM G STAINLESS STEEL WASHER		1
14	208110	IGUS (R) 2 BOLT PLAIN BEARING 20MM I/D		1
15	219642	M6 STAINLESS STEEL NYLON INSERT NUT		20
16	219870	M6 FORM A WASHER STAINLESS STEEL		16
17	208330	IGUS BEARING (GFM 101206)		12
18	208878	BEARING I/D30MM O/D62MM		1
19	237680	LARGE PULLEY 56TH		1
20	208143	20MM GROMMET X 6MM PANEL THICKNESS		1
21	219897	M10 STAINLESS STEEL NYLON INSERT NUT		8
22	291141	M10 X 25MM LG HEX HEAD SCREW STAINLESS STEEL C/W THREADLOCK		1
23	291163	NYLON WASHER 18MM O/D X 10.5MM I/D X 2MM		13
24	906674	CRG CHASSIS WELD ASSEMBLY PAINTED SILVER		1
25	906647	STEERING COLUMN SUPPORT ASSEMBLY PAINTED SILVER		1
26	906681	DECK LINK & PEDAL ARM WELD ASSY (CRG) Z/PL		1
27	906668	PEDAL LINK ARM WELD ASSEMBLY (CRG) Z/PL		1
28	208869	STEERING YOKE		1
29	291110	AXLE 20MM OD X 77MM LONG		1
30	291140	M8 X 20MM LG HEX HEAD SCREW STAINLESS STEEL C/W THREADLOCK		10
31	392381	STEERING WASHER		1
32	208871	BEARING I/D50MM O/D80MM		1
33	208872	80MM INTERNAL CIRCLIP		1
34	291109	STEERING SPIGOT		1
35	291162	M20 FORM B STAINLESS STEEL WASHER		2
36	204120	WICKE 200 X 50MM ALU WHEEL		1
37	237679	SMALL PULLEY 22TH		1
38	906648	LOWER STEERING SHAFT (CRG)		1
39	219925	M6 x 25MM LONG STAINLESS STEEL HEX SCREW		4
40	219560	M6 FORM B STAINLESS STEEL WASHER		5
41	219877	M8 X 30 STAINLESS STEEL WASHER		7
42	208897	BELT (GATES-GT3 560 8MGT 15MM)		1
43	208884	2 PART PRESSED FLANGE BEARING		1
44	291103	M6 X 16 COACH BOLT S/S		8
45	206936	UNIVERSAL JOINT		1
46	219784	M5 X 8MM LONG BLACKODISED GRUB SCREW		4
47	905374	UNIVERSAL JOINT KEY	SPARE PART	2
48	291104	M8 X 20 COACH BOLT S/S		6
49	237677	LATCH MOULDING		1
50	291157	M8 X 60MM LONG HEX BOLT STAINLESS STEEL		2
51	903860	PEDAL MOULDING (RED)		1
52	291097	38 X10MM BAR (E TYPE CLIP)		2
53	291098	94 X10MM BAR (E TYPE CLIP)		1
54	291107	E TYPE CLIP (TO SUIT 10mm BAR)		6
55	205190	530MM ASI TRANSAXLE 21:1 HIGH SPEED (MK400)		1
56	329780	TRANSAXLE CLAMP		2
57	219889	19MM HEAVY DUTY CIRCLIP		2
58	206744	6MM X 6MM X 32MM FEATHER KEY		2
59	901209	200 X 50 TRACTION WHEEL (PLASTIC)		2
60	902010	M8 X 25 COACH BOLT S/S		1
61	903683	ANTI-STATIC STRAP (CUT TO LENGHT: 270MM LONG)		1
62	291062	M10 INTERNAL LOCK WASHER STAINLESS STEEL		1
63	291100	SQUEEGEE PIVOT BAR		1
64	208898	NYLON PULLEY 32MM OD		1
65	206953	DETENT PINS		1
66	237676	MULTI BLOCK MOULDING		1
67	392436	PIVOT SIDE PLATE		2
68	304516	MOOSE PLATE WELD ASSEMBLY		1
69	291021	M6 X 90MM LONG STAINLESS STEEL HEXAGONAL HEAD BOLT		3
70	291099	CRO 8055 SQ. LIFT CABLE		1
71	906662	MAGNET COVER (CRG)		1
72	906661	MAGNET (50 x 10 x 1.5mm)		1
73	906669	CRG MAGNET HOLDER PLATE M/S PAINTED SILVER		1
74	906652	CRG SWITCH PLATE		1
75	208986	IP RATED MICROSWITCH WITH ROLLER		1
76	291158	M6 X 40MM LONG GRUB SCREW STAINLESS STEEL C/W THREADLOCK		4
77	219647	M6 FORM G STAINLESS STEEL WASHER		4
78	906653	CRG REED SWITCH BRACKET		1
79	904501	REED SWITCH ASSEMBLY		1
80	219894	M10 X 60MM LONG HEXAGONAL STAINLESS STEEL BOLT		4
81	906617	REED SWITCH WASHER PLATE		1
82	907241	M6 X 15 RIVET STUD		4
83	237730	SPRING CLIP		2
84	219683	No6 X 3/8 INCH LONG POZI PAN BLACK COUNTERSUNK PLASTITE SCREW		4
85	903260	M8 BOLT AND NUT CAP		4

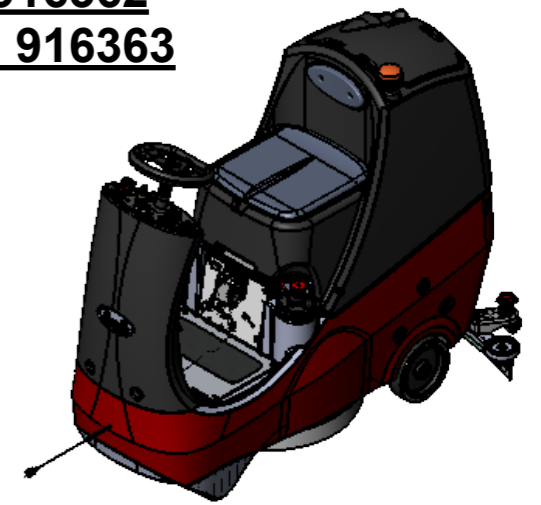
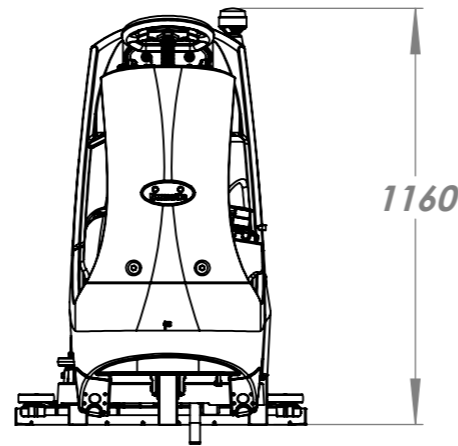
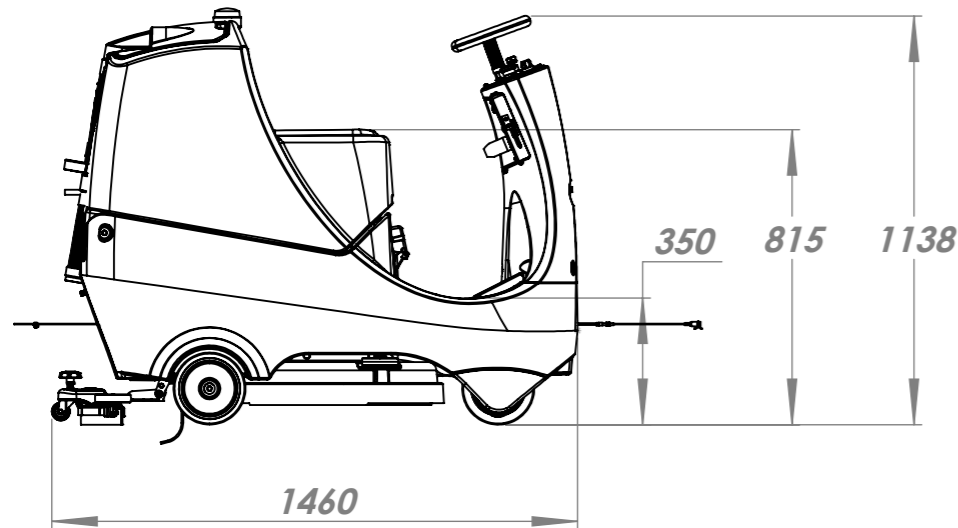
THIRD ANGLE PROJECTION



NET WEIGHT: CRL8055/50	143 Kg (315 lbs)	RUN TIME: 1 X 50 Ah (25.6V)	1hr20	CAPACITY	80L/80L (21.1/21.1 US GAL)
NET WEIGHT: CRL8055/100	154 Kg (340 lbs)	RUN TIME: 2 X 50 Ah (25.6V)	2hr45	WATER FLOW RATES	0-3.5 LITRES/MIN (0-0.92 US GAL/MIN)
BRUSH WEIGHT	17 Kg (37.5 lbs)	TOTAL BATTERY WEIGHT	21.4Kg (47.2lbs)	CLEANING AREA	1980m ² @3.6Km/Hour (21312ft ² @2.2mph)
BRUSH PRESSURE	8.4 G/cm ² (0.12lb/in ²)	CHARGE TIMES 1 x 50 Ah	2.5 hrs	SOUND PRESSURE	≤70 dB(A)
PAD WIDTH	508mm (20in)	CHARGE TIMES 2 x 50 Ah	5 hrs	HAND ARM VIBRATION	ah≤2.5m/s ²
PAD PRESSURE	6.8 G/cm ² (0.1lb/in ²)	BRUSH WIDTH	550mm (21.5in)	WHOLE BODY VIBRATION	aw≤0.5m/s ²
BRUSH	600W (25.6V)	BRUSH SPEED	150 rpm	HEIGHT	1160mm (46.5in)
VAC	400W (25.6V)	AIRFLOW	24.2 L/Sec (6.4 USGAL/Sec) SUCTION: 120mbar	LENGTH	1460mm (57.5in)
TRANSAXLE	400W (25.6V)	TRANSIT SPEED	0- 6 Km/h(0- 3.7mph)	WIDTH	805mm (31.6in)

CRL8055 LESS BATTERIES: 917234
CRL8055/50: 916220
CRL8055/100: 915184

CRL8055 LESS BATTERIES TELEMATICS: 917235
CRL8055/50 TELEMATICS: 916362
CRL8055/100 TELEMATICS: 916363



Numatic INTERNATIONAL LTD
 MILLFIELD ROAD, CHARD, SOMERSET
 TA20 2GB ENGLAND

THE EXAMPLE SHOWN DETAILS THE METHOD USED FOR IDENTIFYING CRITICAL (INSPECTION) DIMENSIONS WHERE APPLICABLE

TOLERANCES:- LINEAR: 0 DECIMAL PLACES = +/- 1.0mm
 1 DECIMAL PLACE = +/- 0.25mm
 2 DECIMAL PLACES = +/- 0.05mm

ANGULAR:-
 +/- 0.5 DEGREE

*This article must not contain greater than 0.1% w/w of substances that are on the candidate list for Annex XIV of the REACH regulations
 All components must be ROHS compliant.*

TOOL NUMBER: -
WEIGHT:

TITLE:- CRL8055 TECHNICAL SPECIFICATIONS

DIMENSIONS IN MILLIMETERS: NOT TO SCALE

MATERIAL:- See Table

FINISH:- See Table

ITEM No(s):- 916220, 915184, 916362, 916363, 917234, 917235

DRG No:- DRW-38936

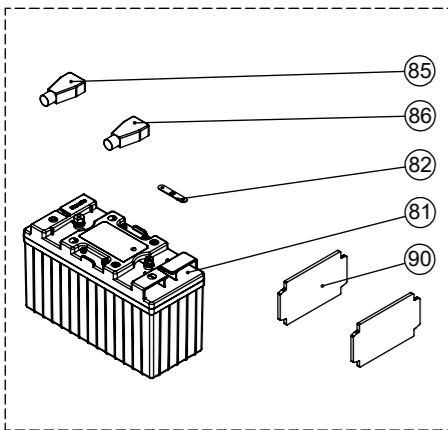
A11	New less batteries configurations added	DRAWN:	APPD:	DATE:	THIS DRAWING IS COPYRIGHT AND IS THE PROPERTY OF NUMATIC INTERNATIONAL LTD. AND MUST NOT BE USED WITHOUT THEIR KNOWLEDGE NOR COMMUNICATED TO ANY PERSON OR COMPANY.	PRINT SIZE	A3	NOT TO SCALE	DRG No:-	DRW-38936
REVISION:	CHANGE DETAIL:	Darren Knight	KD	03/07/2023						
1	ST_Numatic_A3.sldprt 20030224	3				4			5	6

Numatic International Spare Parts

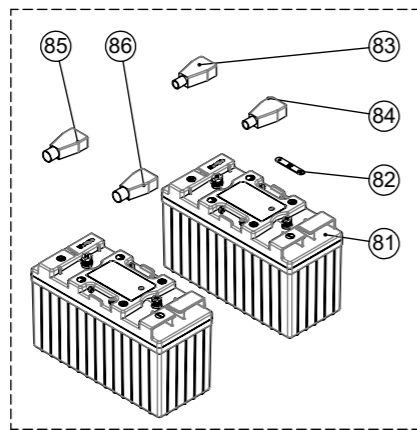
Model No: CRL8055 & CRL8072 BOTTOM TANK ASSEMBLY

915172, 916215, 917230
DRAWING: DRW-38792 ISS:A07
~~03/07/2020~~ WIRING SEE DRAWING:

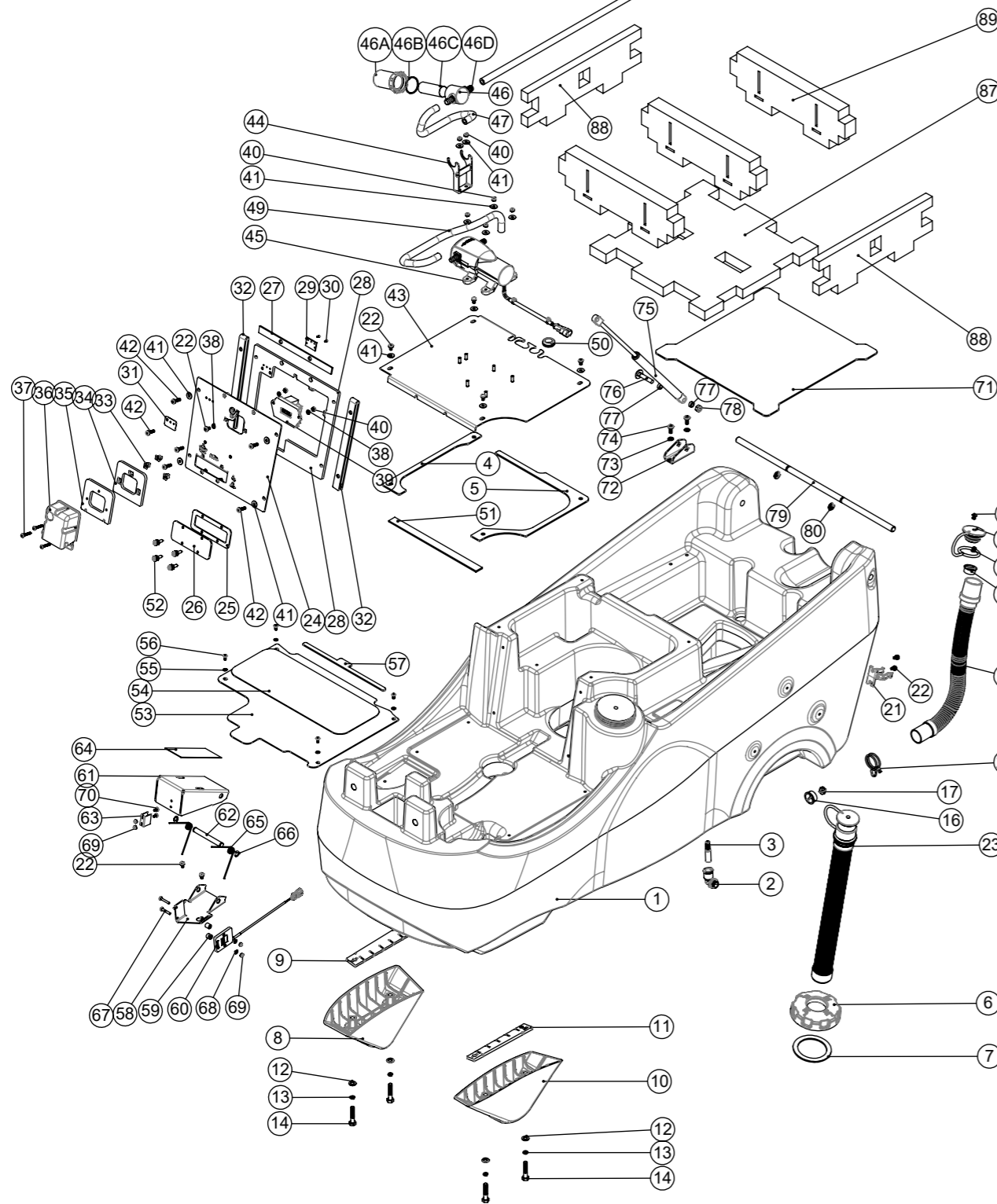
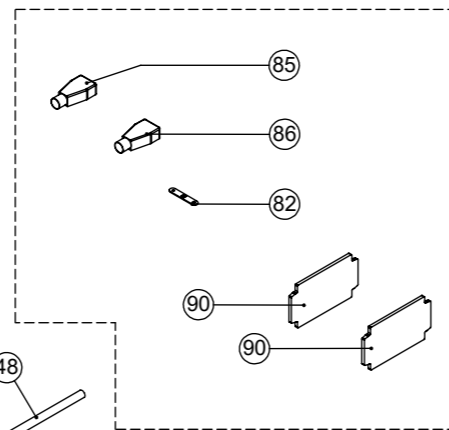
1 BATTERY - 916215



2 BATTERY - 915172



LESS BATTERIES - 917230



Numatic International Spare Parts

Model No: CRL8055 & CRL8072 BOTTOM TANK ASSEMBLY

ITEM:	ITEM No:	DESCRIPTION:	COMMENTS:	QTY:
1	237682	MINI RIDE ON BOTTOM TANK		1
2	901539	ELBOW ANGLE CONNECTOR 3/8 PARALLEL THREAD C/W O-RING TO 12MM PUSH IN		1
3	901534	PUSH IN BARBED CONNECTOR - 12MM OD 8MM ID		1
4	203028	CRO PUMP PLATE GASKET RH		1
5	203027	CRO PUMP PLATE GASKET LH		1
6	237174	FILLER CAP WITH FILLER HOSE HOLE		1
7	208564	FILLER CAP SEALING RING		1
8	237684	BOTTOM TANK SCUFF MOULDING RHS		1
9	392464	RHS SCUFF MOULDING SPACER		1
10	237685	BOTTOM TANK SCUFF MOULDING LHS		1
11	392465	LHS SCUFF MOULDING SPACER		1
12	219578	M8 FORM A STAINLESS STEEL WASHER		4
13	219898	M8 SINGLE COIL STAINLESS STEEL WASHER		4
14	291112	M8 X 40 LONG HEX BOLT STAINLESS STEEL		4
15	208938	25MM X 455MM LG DUMP HOSE		1
16	904108	FLOAT STOP MOULDING		2
17	904109	FLOAT MOULDING		1
18	903341	32MM HOSE CAP RED (C/W 8MM HOLE)		1
19	904403	BARBED RIVET BLACK		2
20	902133	SPRING WIRE CLAMP (YDNAC-Y8010356)		1
21	901916	28mm HOSE CLIP		1
22	291135	M5 X 10MM LONG STAINLESS STEEL POZI PAN SEMS SCREW		9
23	903696	28MM X 370MM LONG 3:1 STRETCH HOSE C/W RED CAP & STRAP		1
24	906657	ELECTRONICS FRONT COVER ASSY PAINTED SILVER (CRG)		1
25	906659	FUSE PANEL GASKET (CRG)		1
26	906655	FUSE PANEL COVER		1
27	906663	FRONT COVER TOP GASKET		1
28	906654	ELECTRONICS FRONT COVER SPACER PLATE (CRG)		1
29	280002	CHARGER LED DISPLAY PCB		1
30	219978	M2 X 6MM LONG POZI PAN SCREW		2
31	208978	CHARGER LIGHTS OVERLAY		1
32	280008	FRONT COVER PLATE GASKET		2
33	900986	NYLON GROMMET NUT (PLASTIC INSERT TO SUIT No 8 PLASTITE SCREW)		3
34	904505	IEC SOCKET SPACER PP		1
35	904504	IEC SOCKET SECONDARY SPACER PP		1
36	904032	240V EMI FILTER WITH SOCKET COVER ASSEMBLY C/W FLAP		1
37	219369	No 8 X 1 INCH LONG POZI PAN STAINLESS STEEL PLASTITE SCREW		3
38	219355	M5 FORM A STAINLESS STEEL WASHER		3
39	906722	BRUSH ENGAGE PCB ASSEMBLY		1
40	219633	M5 STAINLESS STEEL NYLON INSERT NUT		8
41	219644	M5 FORM G STAINLESS STEEL WASHER		14
42	291133	M5 X 20MM LONG STAINLESS STEEL POZI PAN SEMS SCREW		6
43	392419	CRO PUMP AND FILTER PLATE CLINCH STUD ASSY		1
44	304521	FILTER PLATE ASSEMBLY		1
45	230278	WATER PUMP ASSEMBLY		1
46	208888	EXTENDED STRAINER		1
46A	208890	EXTENDED STRAINER CLEAR BOWL	SPARE PART	1
46B	208830	STRAINER GASKET	SPARE PART	1
46C	208889	EXTENDED STRAINER 50 MESH SCREEN	SPARE PART	1
46D	208827	STRAINER BLACK TOP	SPARE PART	1
47	391525	CRO FILTER TO PUMP TUBE 300MM LG		1
48	391526	CRO TANK TO FILTER TUBE 700MM LG		1
49	904296	CRO PUMP TO FLOW DIVIDER TUBE 470MM LG		1
50	219934	GROMMET		1
51	906664	3MM X 19MM INSEAL TYPE 3259 (270MM)		1
52	904491	M5 x16MM SLOT KNURLED THUMB SCREW NYLON (WHITE)		4
53	392421	FOOT PLATE		1
54	208998	ANTI-SLIP TREAD PAD (SELF ADHESIVE)		1
55	219016	M5 SHAKEPROOF WASHER		4
56	291004	M5 X 10MM LONG STAINLESS STEEL BUTTON HEAD SCREW		4
57	280014	FOOT PLATE EDGE SEAL		1
58	329841	ACCELERATOR HINGE PLATE		1
59	219574	NYLON SPACER		2
60	N/A	GILL SENSOR ASSEMBLY C/W EDAC 5 WAY PLUG		1
61	329840	ACCELERATOR PEDAL COVER		1
62	208046	CIRCLIP BAR		1
63	329842	GILL SENSOR ACTIVATOR PLATE - PAINTED SILVER GREY		1
64	903855	ACCELERATOR GRIP PAD (RED)		1
65	208047	TORSION SPRING (LEFT HAND)		2
66	219586	10MM EXTERNAL CIRCLIP		2
67	291165	M4 X 25MM LONG POZI SCREW STAINLESS STEEL		2
68	219688	M4 FORM A STAINLESS STEEL WASHER		2
69	219687	M4 STAINLESS STEEL NYLON INSERT NUT		4
70	219697	M4 X 8MM LONG POZI PAN STAINLESS STEEL SCREW		2
71	392501	BATTERY PLATE		1
72	392455	GAS STRUT BRACKET - CARRIAGE BOLT		1
73	219870	M6 FORM A WASHER STAINLESS STEEL		2
74	219646	M6 X 16MM LONG POZI PAN STAINLESS STEEL SCREW		2
75	208907	GAS STRUT C/W END FITTINGS 100NM		1
76	291120	M8 X 40 CARRIAGE BOLT S/S		1
77	291121	NYLON SPACER I/D 8.2MM X O/D 12MM X 5MM LG		2
78	219639	M8 STAINLESS STEEL NYLON INSERT NUT		1
79	208902	MINI RIDE ON PIVOT BAR		1
80	208072	PLASTIC FIXING RING		2
81	911948	NX1K BATTERY [LFP]	LESS BATTERIES QTY x 0 BATTERY QTY x 1	2
82	N/A	CANBUS HI-LO CONNECTOR PCB		1
83	906147	RED BATTERY TERMINAL COVER (415N8F02)	LESS BATTERIES & 1-BATTERY QTY x 0	1
84	906148	BLACK BATTERY TERMINAL COVER (415N8F14)	LESS BATTERIES & 1-BATTERY QTY x 0	1
85	915218	RED BATTERY TERMINAL COVER (415N0V02) (19.05MM DIA)		1
86	915219	BLACK BATTERY TERMINAL COVER (415N0V14) (19.05MM DIA)		1
87	915081	CRG8055/72 SLOTTED BATTERY TRAY - BASE (25mm)		1
88	915073	CRG8055/72 SLOTTED BATTERY TRAY - SIDE WALL (20mm)		2
89	915072	CRG8055/72 SLOTTED BATTERY TRAY - WALL (33mm)		3
90	916202	SINGLE BATTERY FOAM SPACER	LESS BATTERIES & 1-BATTERY CONFIG ONLY	2

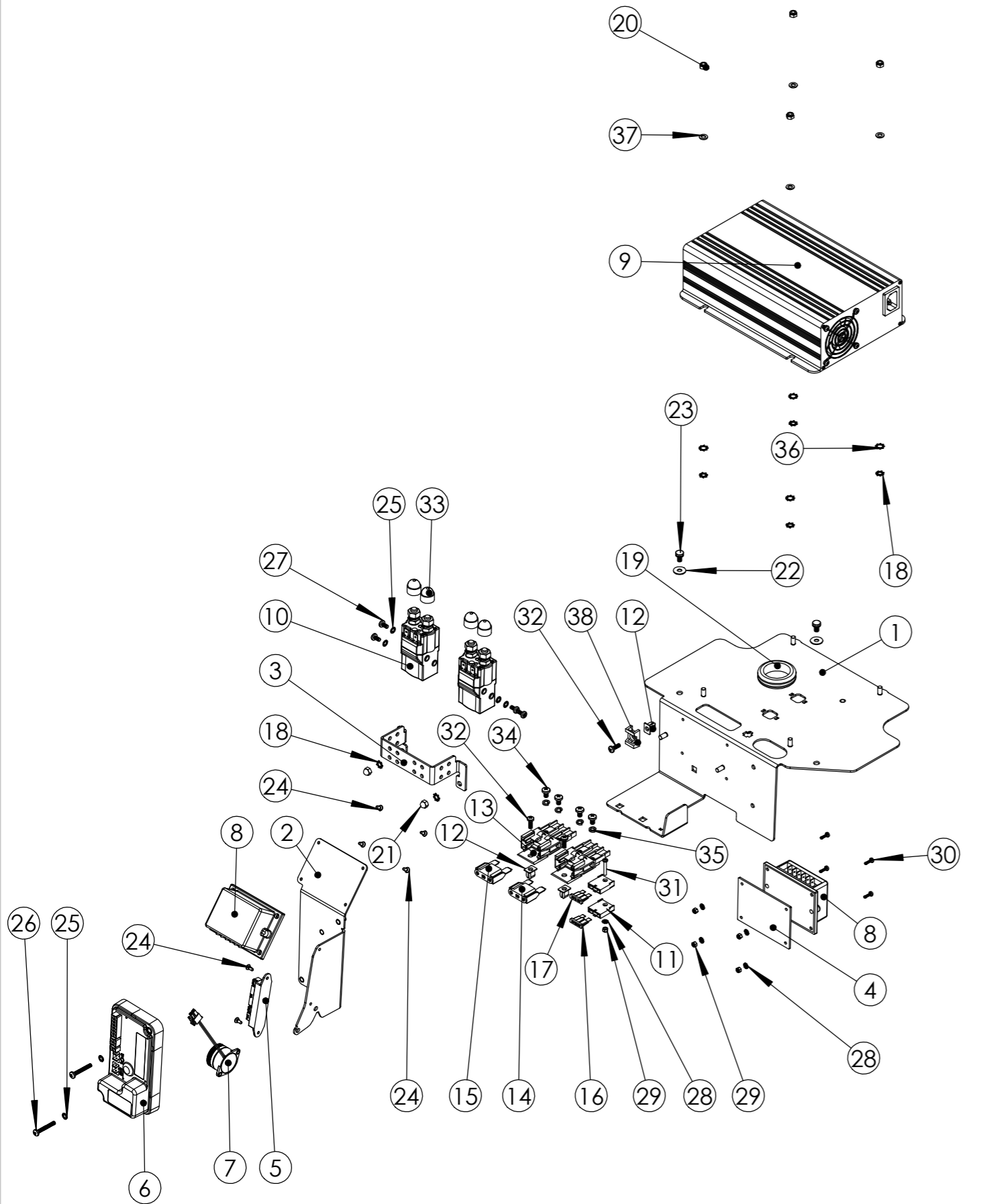
Numatic International Spare Parts

Model No: CRL 8055/8072 LFP CHARGER ASSEMBLY

916332
DRAWING: DRW-40778 ISS:A01
08/02/2023

NB: FOR WIRING SEE DRAWING:

230V: DRW-39600
120V: DRW-39647



Numatic International Spare Parts

Model No: CRL 8055/8072 LFP CHARGER ASSEMBLY

ITEM:	PART No:	Description	Comments	QTY.
1	906644	CHARGER PLATE C/W CLINCH STUDS PAINTED SILVER		1
2	906642	MOTOR CONTROLLER PLATE ASSEMBLY PAINTED SILVER		1
3	906650	CONTACTOR BRACKET (CRG) M/S PAINTED SILVER		1
4	906660	MOTOR CONTROLLER ALI PLATE		1
5	208909	POTTED TERMINAL BLOCK ASSEMBLY		1
6	906686	PROGRAMMED 70A MOTOR CONTROLLER (CRG)		1
7	906671	24V DC BUZZER C/W CONNECTOR		1
8	905341	KEMO PWM POWER CONTROL 10A M171		2
9	914042	CHARGER. 24V.LFP		1
10	903736	24V ALBRIGHT CONTACTOR (SU60-2009)		2
11	906564	ATO FUSE HOLDER (FKH SERIES)		2
12	900986	NYLON GROMMET NUT (PLASTIC INSERT TO SUIT No 8 PLASTITE SCREW)		3
13	230102	FUSE HOLDER RATED AT 60 AMPS		2
14	230104	30 AMP MAXI FUSE		1
15	221091	20 AMP MAXI FUSE		1
16	906573	10 AMP FUSE		1
17	905570	4 AMP FUSE		1
18	291020	M5 STAINLESS STEEL EXTERNAL SHAKEPROOF LOCK WASHER		8
19	208029	GROMMET (32MM I/D)		1
20	219633	M5 STAINLESS STEEL NYLON INSERT NUT		4
21	219645	M5 STAINLESS STEEL DOME NUT		4
22	219644	M5 FORM G STAINLESS STEEL WASHER		2
23	291135	M5 X 10MM LONG STAINLESS STEEL POZI PAN SEMS SCREW		2
24	208963	SNAP BLACK RIVET (REF SR-3055B)		6
25	291145	M4 SHAKEPROOF WASHER STAINLESS STEEL		6
26	219913	M4 X 30MM LONG POZI PAN STAINLESS STEEL SCREW		2
27	219697	M4 X 8MM LONG POZI PAN STAINLESS STEEL SCREW		4
28	904219	M3 STAINLESS STEEL EXTERNAL SHAKEPROOF WASHER		5
29	291154	M3 NYLON INSERT NUT STAINLESS STEEL		5
30	902534	M3 X 10MM LONG POZI PAN SCREW STAINLESS STEEL		4
31	291155	M3 X 20MM LONG POZI PAN SCREW STAINLESS STEEL		1
32	219569	No8 X 1/2 INCH LONG POZI PAN STAINLESS STEEL PLASTITE SCREW		3
33	903260	M8 BOLT AND NUT CAP		4
34	219864	M5 X 8MM LONG POZI-PAN SCREW Z/PL		4
35	219861	M5 SINGLE COIL STAINLESS STEEL WASHER		4
36	902353	M6 EXTERNAL SHAKEPROOF WASHER STAINLESS STEEL		4
37	219355	M5 FORM A STAINLESS STEEL WASHER		4
38	220904	CABLE CLIP PLATFORM		1

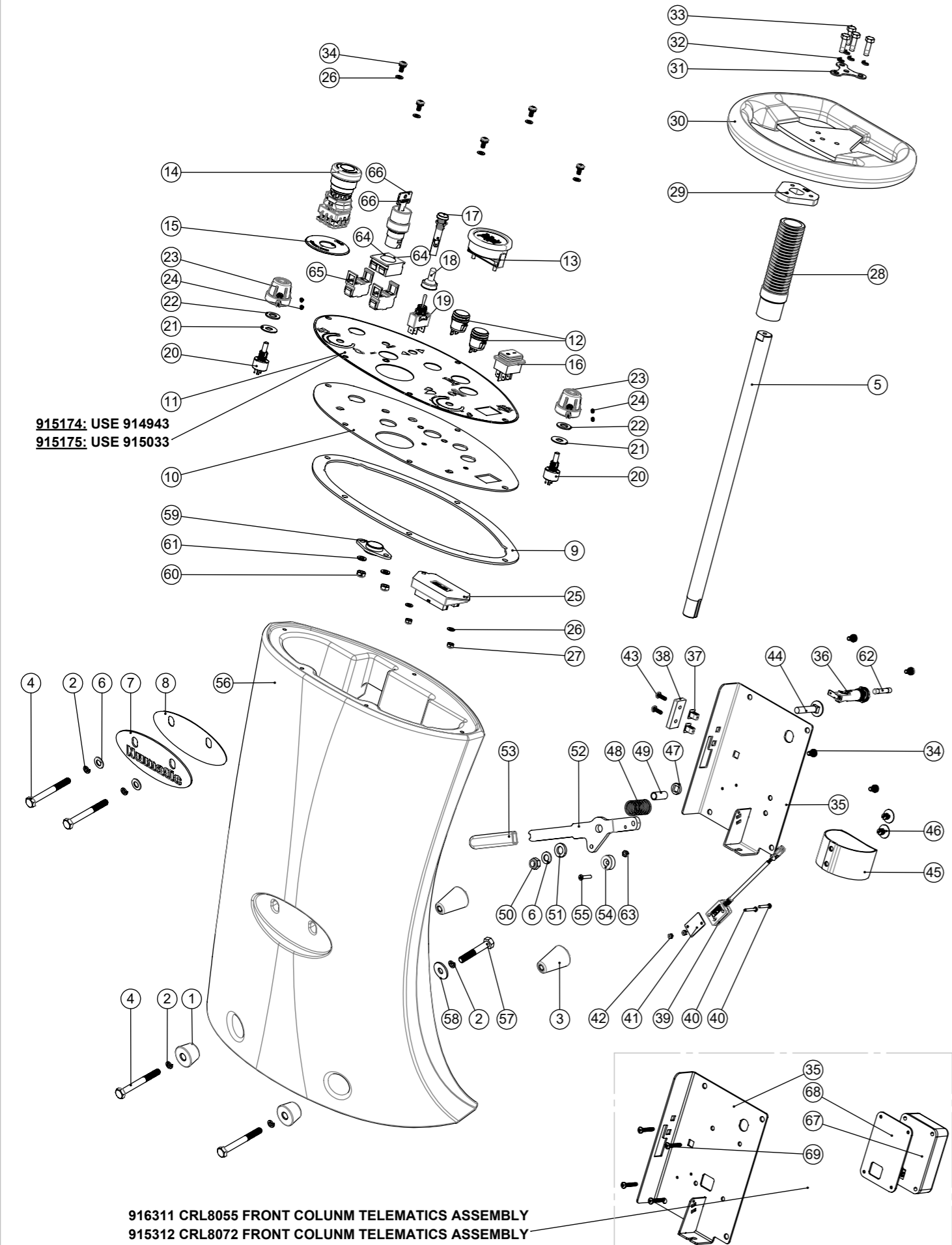
Numatic International Spare Parts

Model No: CRL8055 & CRL8072 FRONT COLUMN ASSEMBLY

915174, 915175, 916311, 916312
DRAWING: DRW-38793 ISS:A07
19/04/2023

NB: FOR WIRING SEE DRAWING:

DRW-39647 - CRL8055 & CRL8072 LFP/120V/2 BATTERY
DRW-39600 - CRL8055 & CRL8072 LFP/230V/2 BATTERY



Numatic International Spare Parts

Model No: CRL8055 & CRL8072 FRONT COLUMN ASSEMBLY

ITEM:	ITEM No:	DESCRIPTION:	COMMENTS:	QTY.
1	208904	TAPERED BUSH (CLEARANCE)		2
2	219898	M8 SINGLE COIL STAINLESS STEEL WASHER		5
3	208903	TAPERED BUSH (TAPPED)		2
4	902517	M8 X 70MM LONG HEX BOLT STAINLESS STEEL		4
5	906649	UPPER STEERING SHAFT (CRG)		1
6	219578	M8 FORM A STAINLESS STEEL WASHER		3
7	392433	NUMATIC NAME PLATE		1
	392461	NACECARE NAME PLATE	NACECARE ONLY	
8	906731	NAME PLATE SPACER (RED P/P)		1
9	203040	CRO CONTROL PANEL GASKET (LOWER)		1
10	906632	CRG CONTROL PANEL C/W CLINCH STUDS PAINTED SIVER		1
11	914943	CRL8055 CONTROL PANEL OVERLAY	915174 ONLY	1
	915033	CRL8072 CONTROL PANEL OVERLAY	915175 ONLY	1
12	906658	SEALED PUSHBUTTON SWITCH SINGLE POLE		2
13	914748	NORD (LFP) BATTERY HOUR METER 24V (MODEL: 1428.306.01 BDI NE306 CAN NUMATIC)	O-RING INCLUDED	1
14	904087	EMERGENCY STOP (XW1E-BV412MFR)		1
15	904086	EMERGENCY STOP NAME PLATE (HWAV-27-Y)		1
16	902235	SWITCH DPST RED ILLUMINATED WITH MEMBRANE 24V		1
17	907298	24V LED GREEN INDICATOR (H0275OSSG6)		1
18	206785	SWITCH COVER C/W NUT		1
19	206786	SWITCH		1
20	270316	POTENTIOMETER TYPE P _e 30 22k OHMS 20% 3W (WITH PANEL SEAL) (ROUND SHAFT WITH FLAT / NO SLOT IN SHAFT END)		2
21	904094	SPEED CONTROL GASKET		2
22	219903	M10 FORM A STAINLESS STEEL WASHER		2
23	903498	SPEED ADJUSTMENT KNOB C/W INSERT (RED)		2
24	219744	M4 X 6MM LONG BLACKODISED GRUB SCREW		4
25	904179	Terminal Block Assembly		1
26	219355	M5 FORM A STAINLESS STEEL WASHER		7
27	219633	M5 STAINLESS STEEL NYLON INSERT NUT		2
28	280023	STEERING SHAFT COVER HOSE 135MM LONG		1
29	404214	STEERING WHEEL PLATE		1
30	208900	GSL 255MM STEERING WHEEL		1
31	392500	STEERING WHEEL TOP PLATE		1
32	219718	WASHER.M6.SPRING.STAINLESS STEEL		4
33	291144	M6 X 20MM LG HEX HEAD SCREW STAINLESS STEEL C/W THREADLOCK		4
34	291135	M5 X 10MM LONG STAINLESS STEEL POZI PAN SEMS SCREW		9
35	906634	CRO FLOOR TOOL LIFTING HANDLE BRACKET WELD ASSY		1
	916227	[TELEMATICS] CRL FLOOR TOOL LIFTING HANDLE BRACKET WELD ASSY	916311 and 916312	1
36	903032	BULGIN PANEL MOUNT FUSEHOLDER		1
37	900986	NYLON GROMMET NUT (PLASTIC INSERT TO SUIT No 8 PLASTITE SCREW)		2
38	906635	GUIDER (PP)		1
39	904501	REED SWITCH ASSEMBLY		1
40	291155	M3 X 20MM LONG POZI PAN SCREW STAINLESS STEEL		2
41	906617	REED SWITCH WASHER PLATE		1
42	291154	M3 NYLON INSERT NUT STAINLESS STEEL		2
43	219569	No8 X 1/2 INCH LONG POZI PAN STAINLESS STEEL PLASTITE SCREW		2
44	291120	M8 X 40 CARRIAGE BOLT S/S		1
45	906639	BOTTLE PLATE (RED)		1
46	208024	PUSH IN BARBED FASTENER		2
47	906640	CARRIAGE BOLT SPACER		1
48	219592	COMPRESSION SPRING		1
49	906651	SPACER (S/S 10MM O/D 8MM I/D X 22MM LONG)		1
50	219639	M8 STAINLESS STEEL NYLON INSERT NUT		1
51	219964	NYLON WASHER (18MM O/D X 10.4MM I/D X 3MM THICK)		1
52	392431	FLOOR TOOL LIFTING HANDLE		1
53	903870	LEVER HANDLE MOULDING RED		1
54	208382	MAGNET(19MM O/D)		1
55	907092	M4 X 20MM LG. POZI CSK SCREW (STAINLESS STEEL)		1
56	903721	MINI RIDE ON STEERING COLUMN GRAPHITE		1
57	906704	M8 X 50MM LONG HEX BOLT STAINLESS STEEL		1
58	219716	M8 FORM G STAINLESS STEEL WASHER		1
59	208110	IGUS (R) 2 BOLT PLAIN BEARING 20MM I/D		1
60	219642	M6 STAINLESS STEEL NYLON INSERT NUT		2
61	219870	M6 FORM A WASHER STAINLESS STEEL		2
62	903066	FUSE 2.5A (6.3x32)		1
63	219687	M4 STAINLESS STEEL NYLON INSERT NUT		1
64	907150	FIXING ADAPTER (020G)		1
65	907151	TERMINAL BLOCK N.O. (020E10)		2
66	907149	KEY SWITCH SELECTOR (020SCA1)	907208 SPARE KEY	1
67	912615	TELEMATICS MODULE ASSEMBLY - GRAPHITE GREY	916311 and 916312	1
68	912151	ADHESIVE PAD - TELEMATICS	916311 and 916312	1
69	219369	No8 X 1 INCH LONG POZI PAN STAINLESS STEEL PLASTITE SCREW	916311 and 916312	4

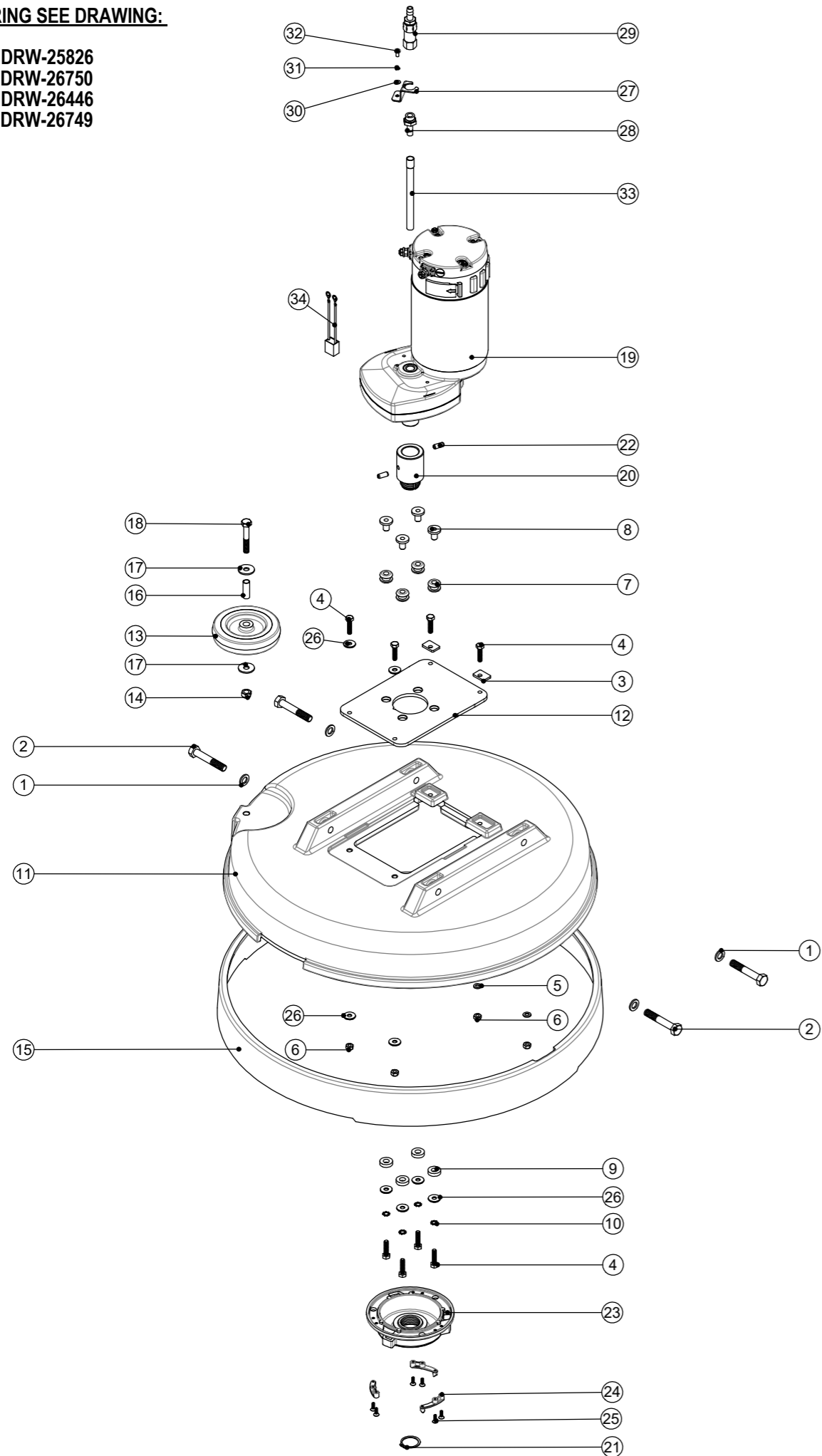
Numatic International Spare Parts

Model No: CRL8055 BRUSH DECK ASSEMBLY

915673
DRAWING: DRW-39787 ISS:A01
10/08/2022

NB: FOR WIRING SEE DRAWING:

230V / 120T : DRW-25826
120V / 120T : DRW-26750
230V / 100T : DRW-26446
120V / 100T : DRW-26749



Numatic International Spare Parts

Model No: CRL8055 BRUSH DECK ASSEMBLY

ITEM:	PART No:	Description:	Comments:	QTY.
1	291163	NYLON WASHER 18MM O/D X 10.5MM I/D X 2MM		4
2	219894	M10 X 60MM LONG HEXAGONAL STAINLESS STEEL BOLT		4
3	906862	FIXING SPACER		2
4	219925	M6 x 25MM LONG STAINLESS STEEL HEX SCREW		8
5	219870	M6 FORM A WASHER STAINLESS STEEL		2
6	219642	M6 STAINLESS STEEL NYLON INSERT NUT		4
7	229025	STANDARD GROMMET		4
8	208011	MOTOR MOUNTING SPACER		4
9	906861	SPACER Ø9MM ID X Ø19MM OD X 5MM		4
10	902353	M6 EXTERNAL SHAKEPROOF WASHER STAINLESS STEEL		4
11	906863	DECK MOULDING (PROCESSED)		1
12	906865	MOTOR PLATE (CRG8055) Z/PL		1
13	303942	100MM DIA WHEEL MODIFIED BORE (10.1MM DIAMETER)		1
14	219639	M8 STAINLESS STEEL NYLON INSERT NUT		1
15	237609	550MM SPLASH SKIRT		1
16	391523	S/S 10MM O/D 8MM I/D X 28MM LONG		1
17	219716	M8 FORM G STAINLESS STEEL WASHER		2
18	906704	M8 X 50MM LONG HEX BOLT STAINLESS STEEL		1
19	205192	MRP6 IP20 AMER MOTOR		1
20	208933	MINI RIDE ON DRIVE SHAFT		1
21	230048	26MM EXTERNAL CIRCLIP		1
22	291139	6MM X 16MM STAINLESS STEEL ROLL PIN		2
23	230285	MODIFIED CHUCK (CRO)		1
24	237730	SPRING CLIP		3
25	219683	No6 X 3/8 INCH LONG POZI PAN BLACK COUNTERSUNK PLASTITE SCREW		6
26	219647	M6 FORM G STAINLESS STEEL WASHER		8
27	392405	NRV MOUNTING BRACKET		1
28	208965	8MM X 1/4" BSP MALE STAND PIPE NICKEL PLATED (17MM A/F)		1
29	208966	NON RETURN VALVE C/W 10MM HOSE TAIL NICKEL PLATED		1
30	219688	M4 FORM A STAINLESS STEEL WASHER		1
31	291146	M4 SINGLE COIL SPRING WASHER STAINLESS STEEL		1
32	291164	M4 X 8MM LONG TORX PAN TAPTITE SCREW S/S		1
33	330206	MOTOR SHAFT INSERT		1
34	915440	SUPPRESSOR 0.68uF 310V X1 CAPACITOR & M6 RING TERMINALS		1