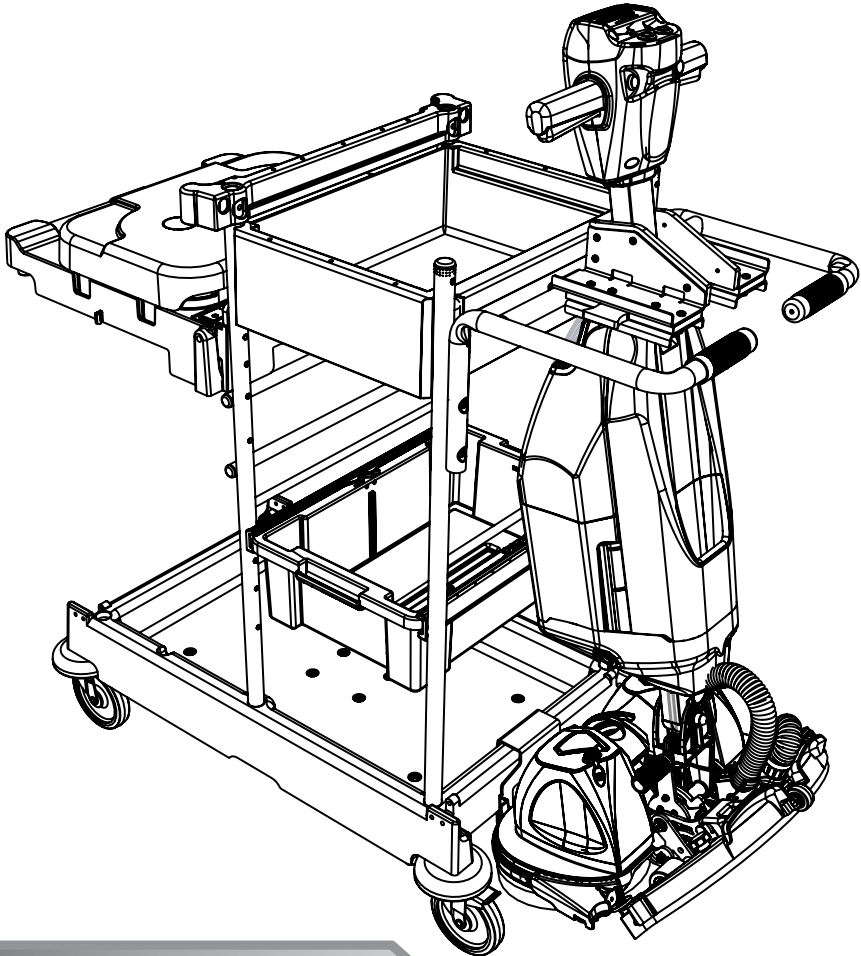


SM-1705

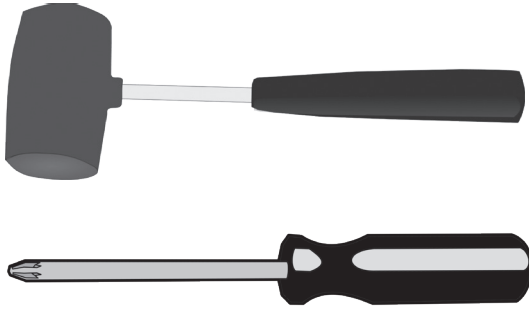
WITH 244 ATTACHMENT

Numatic

numatic.com



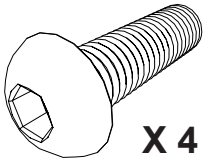
Original Instructions



0.45 HR



M8 25mm Socket Bolt



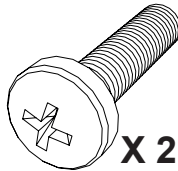
X 4

M8 Washer



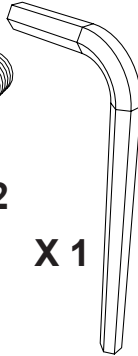
X 4

M5 x 20mm



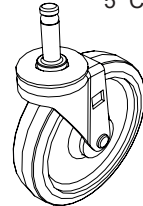
X 2

Allen Key



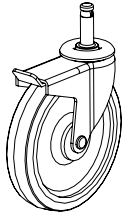
X 1

5" Castor

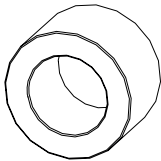


X 2

5" Braked Castor

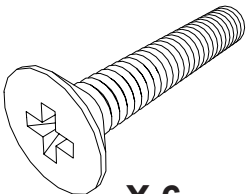


X 2



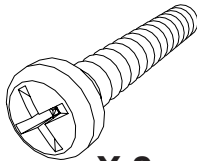
Spacer
X 2

M5 x 30mm



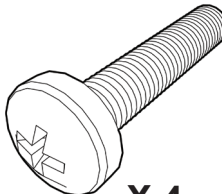
X 6

No6 1 Inch



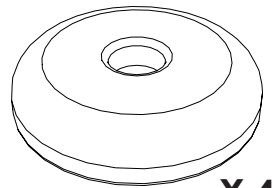
X 2

M5 x 35mm



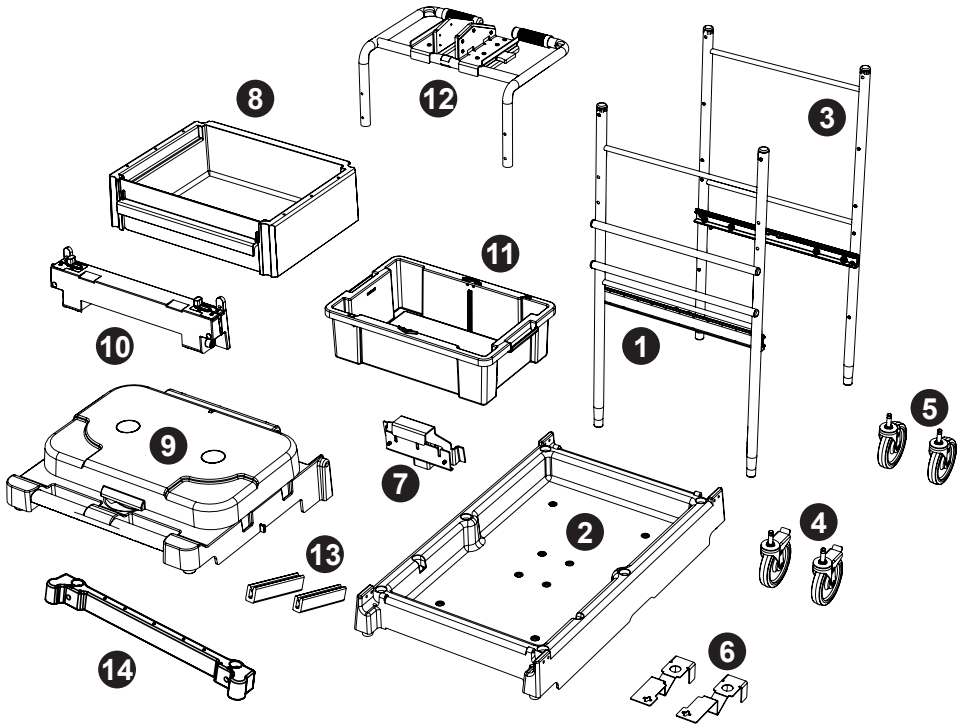
X 4

Buffer

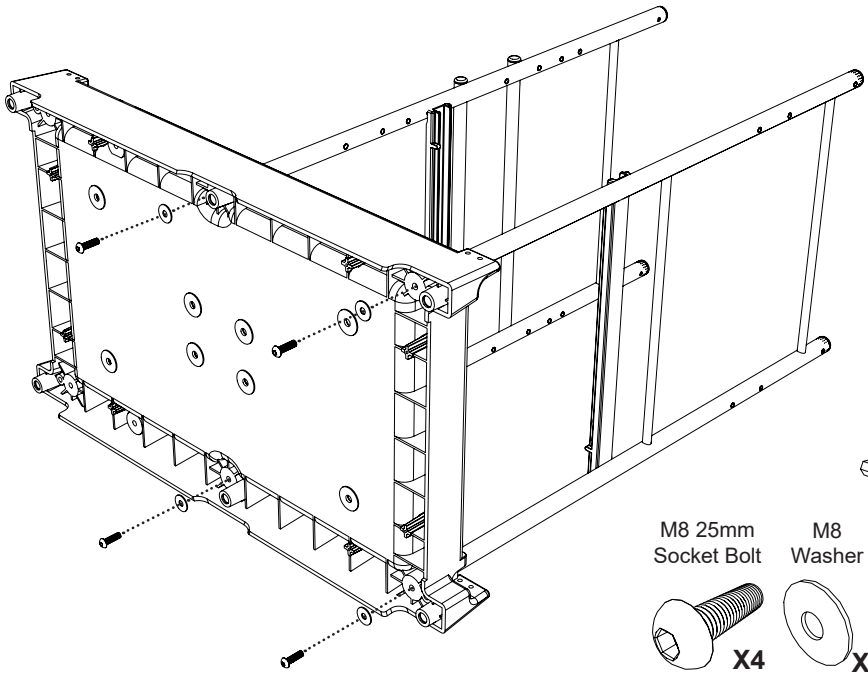
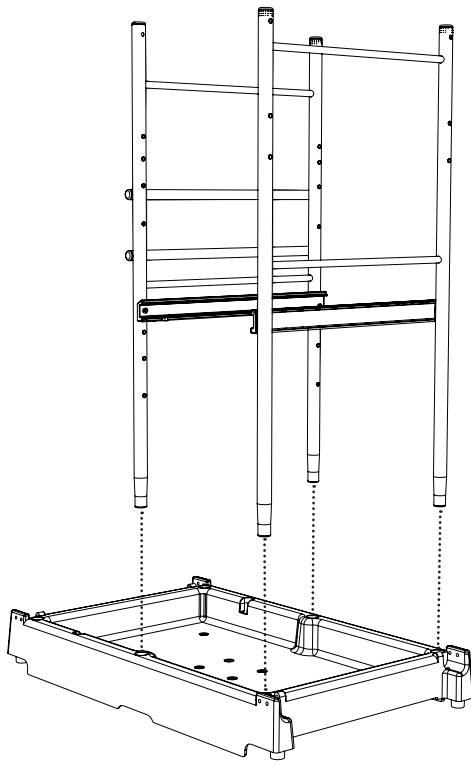


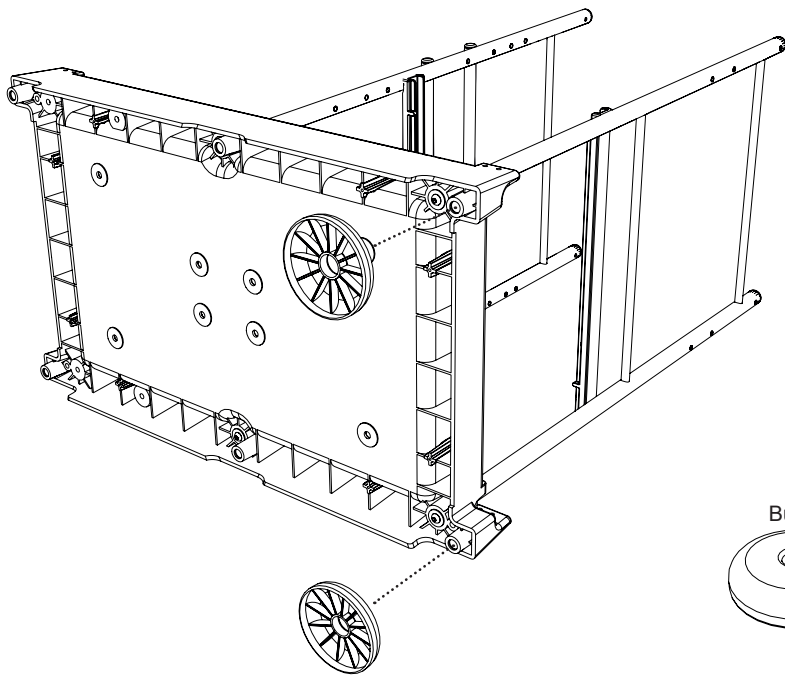
X 4

SM-1705 with 244 attachment

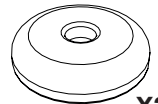


| Item | Description |
|------|--|
| 1 | SM FRONT UPRIGHT ASSEMBLY WITH 1 RUNNER |
| 2 | LARGE BASE BLACK PRINTED NUMATIC REFLO |
| 3 | SM REAR UPRIGHT FRAME ASSEMBLY WITH 1 X RUNNER |
| 4 | (2 X 5 INCH BRAKED CASTORS) |
| 5 | (2 X 5 INCH CASTORS) |
| 6 | L.H & R.H FIXED CASTOR BRACKET |
| 7 | 244 SUPPORT PLATE |
| 8 | CLIP ON TRAY MOULDING |
| 9 | BAG FRAME/LID ASSEMBLY (BLACK) |
| 10 | BAG SUPPORT FRAME MOUNT ASSEMBLY (BLACK) |
| 11 | HALF STORAGE BLACK REFLO BOX ASSEMBLY |
| 12 | SM 244 HANDLE CATCH ASSEMBLY |
| 13 | 244 EDGE PROTECTOR STRIP |
| 14 | MOUNTING MOULDING |

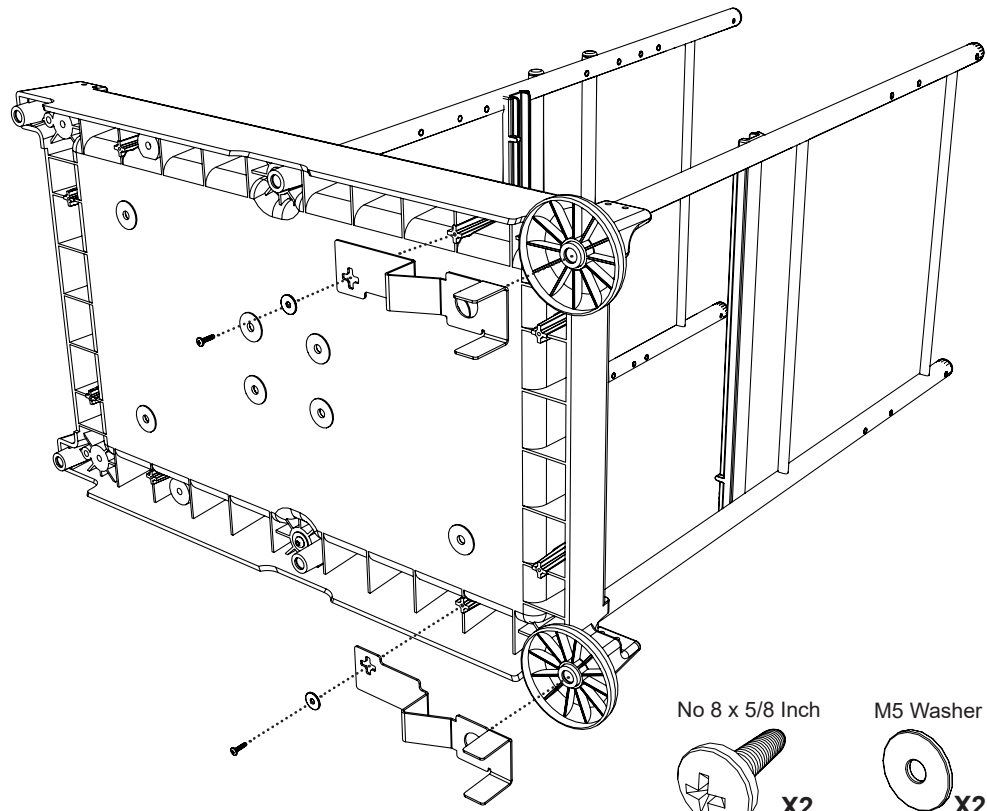




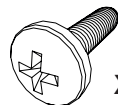
Buffer



X2



No 8 x 5/8 Inch

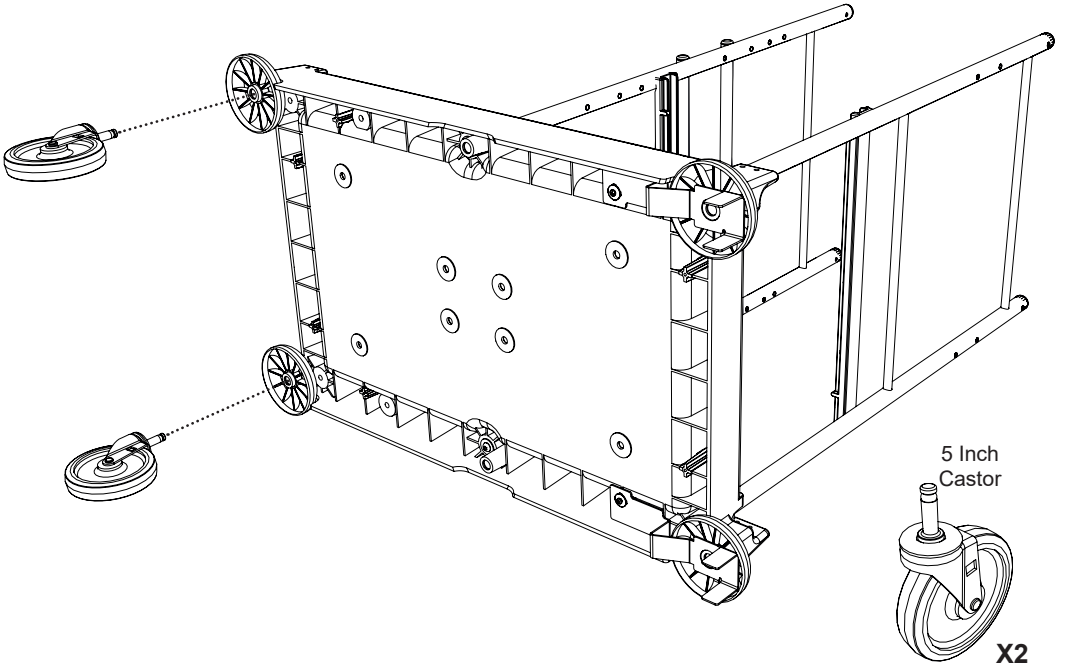
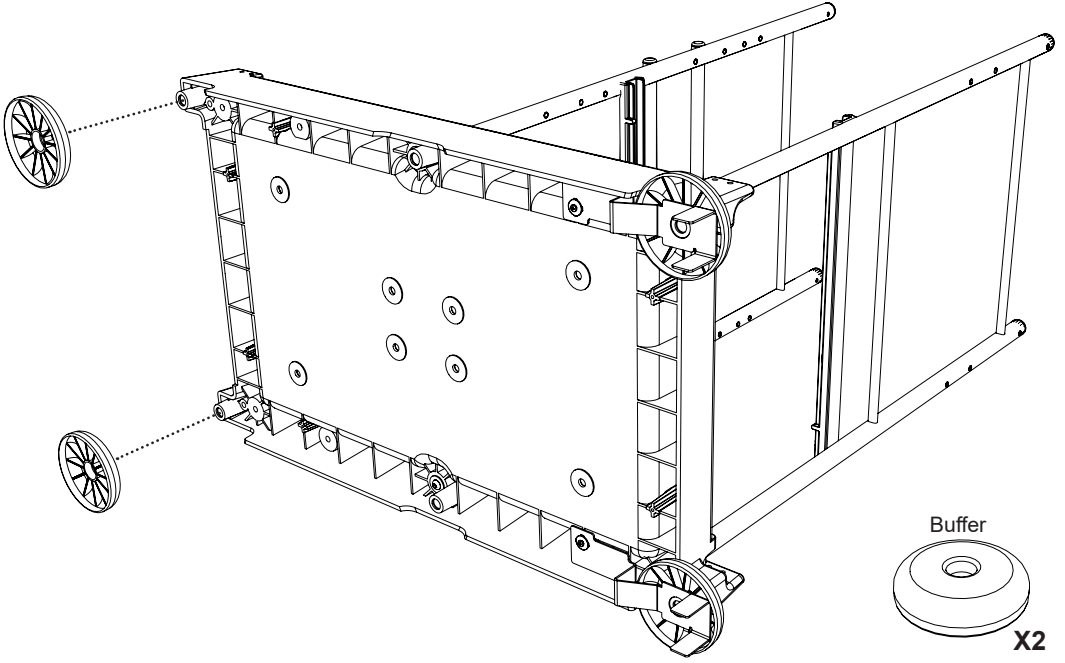


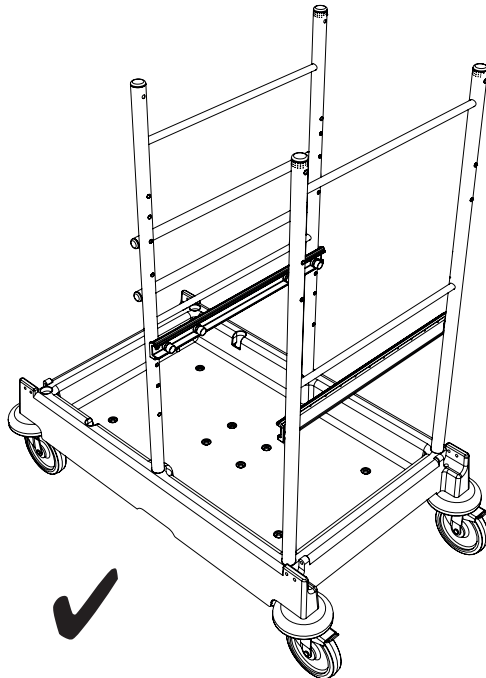
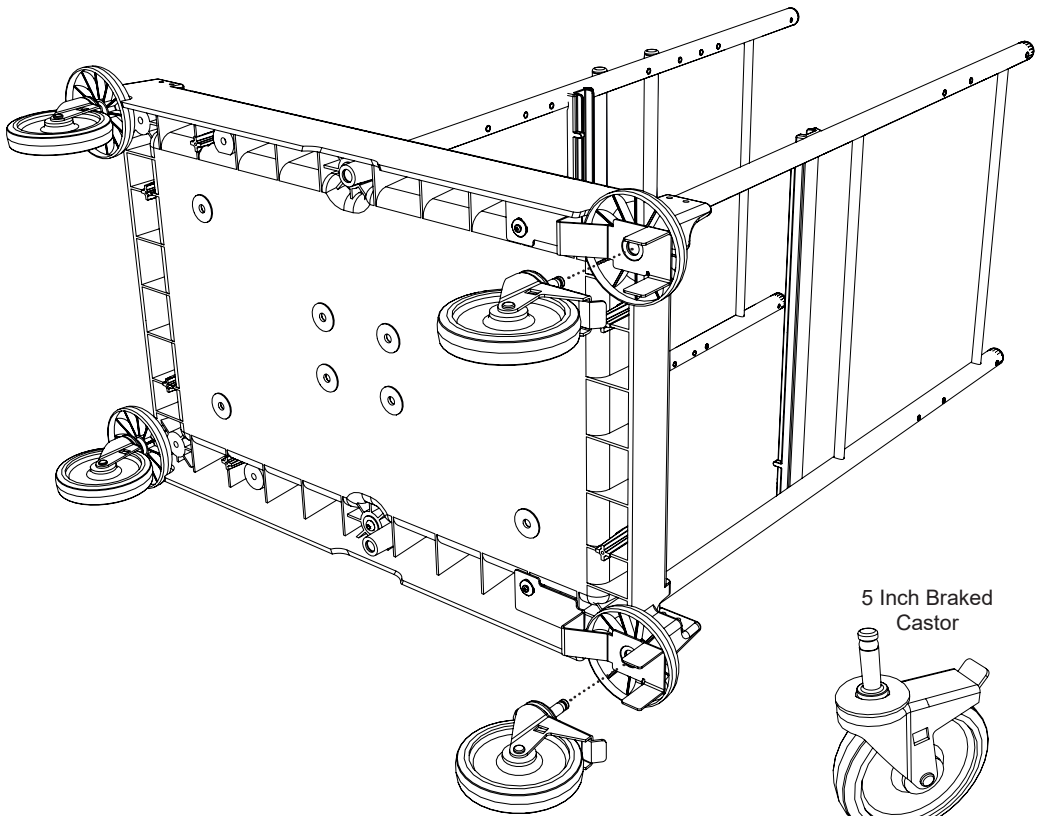
X2

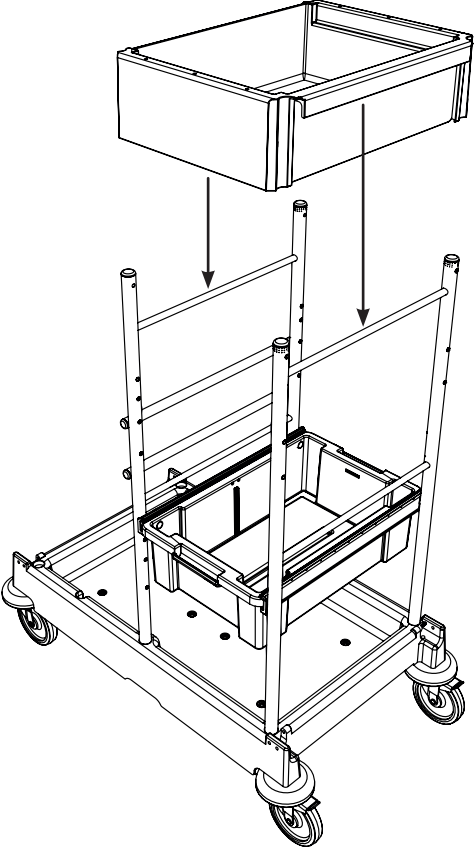
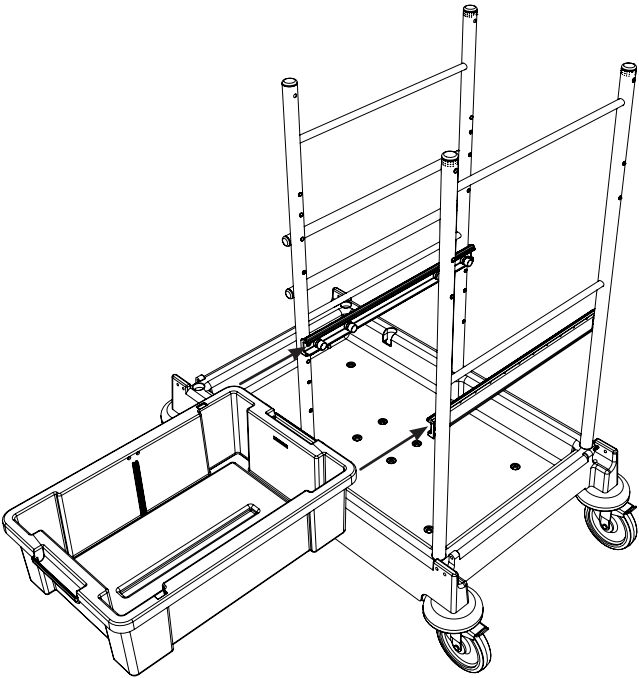
M5 Washer

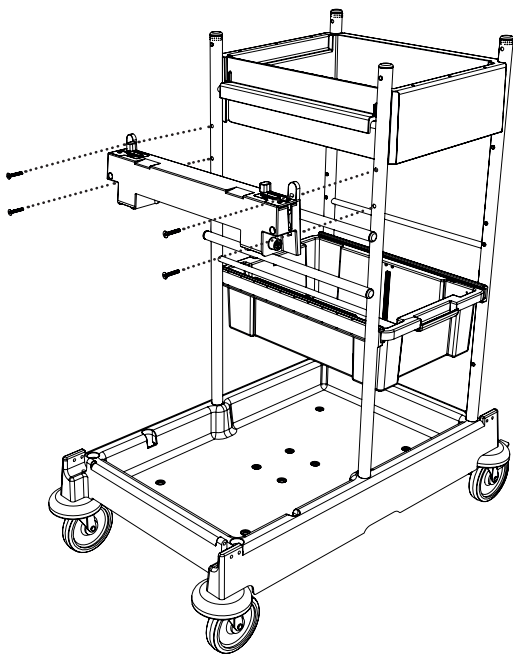


X2

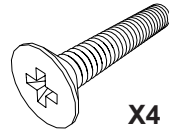




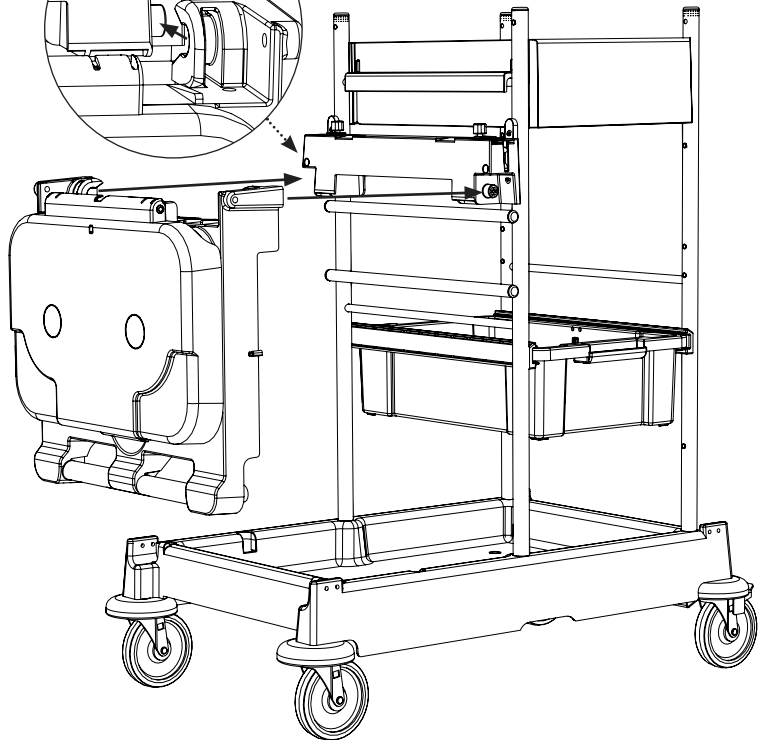
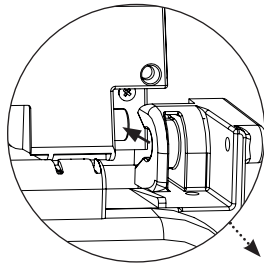


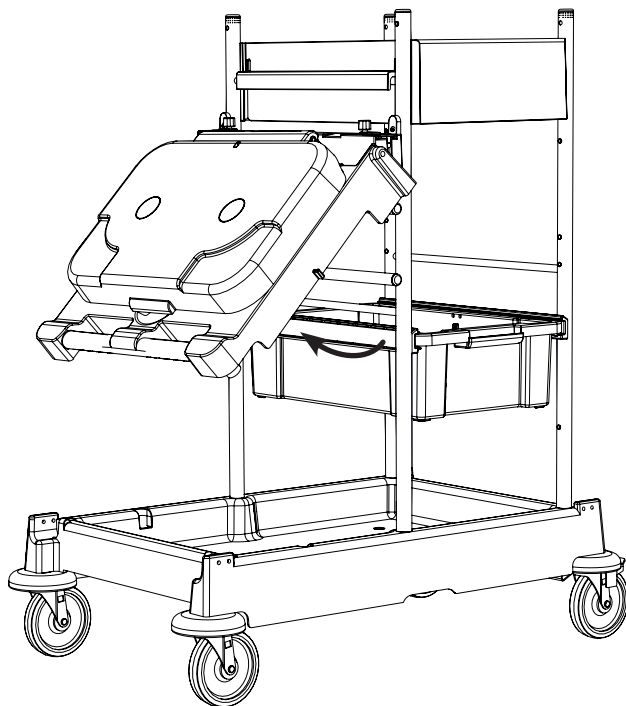
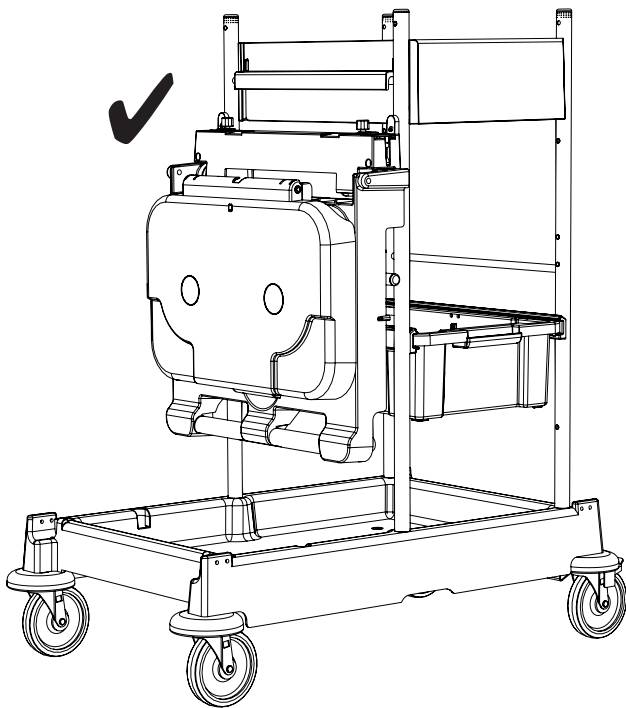


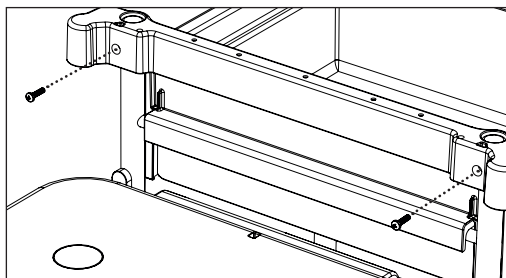
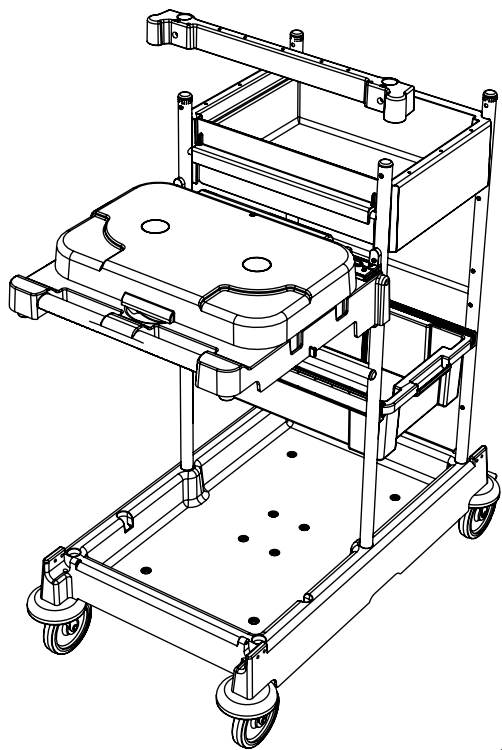
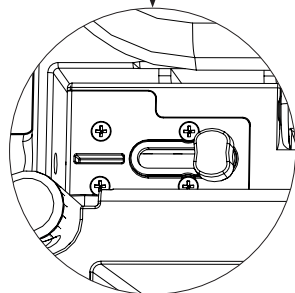
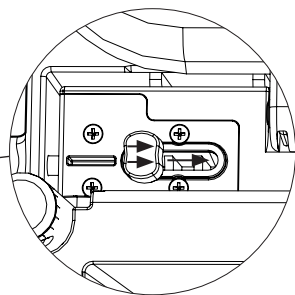
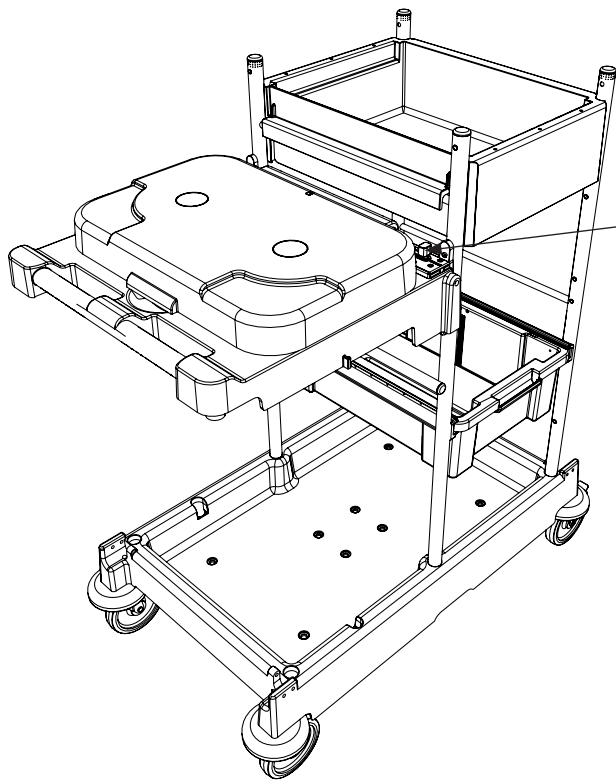
M5 x 30mm



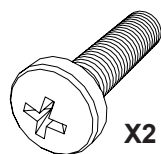
X4



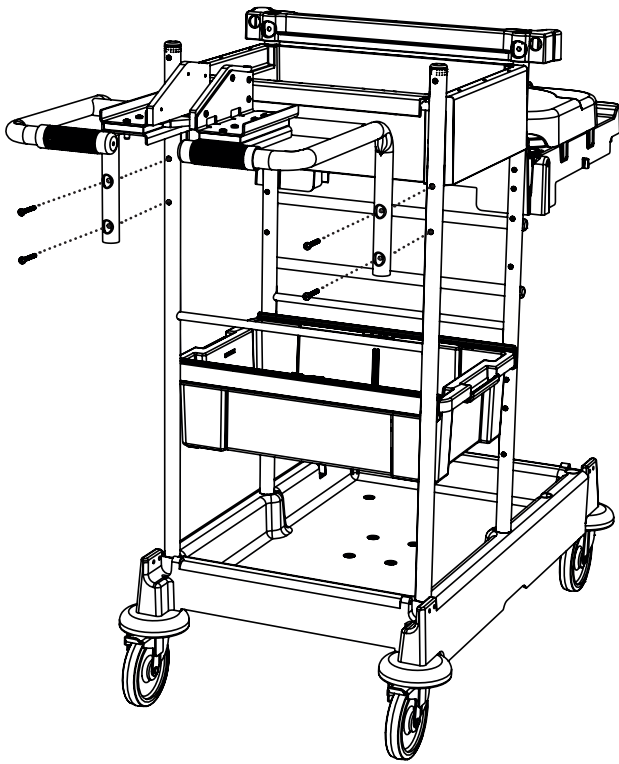




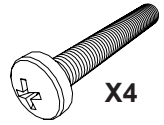
M5 x 20mm



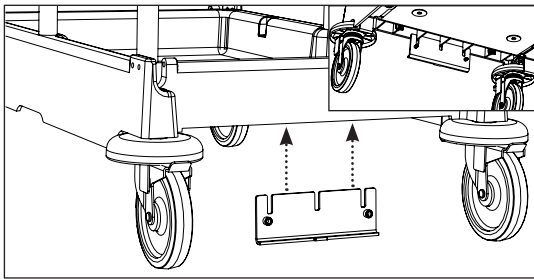
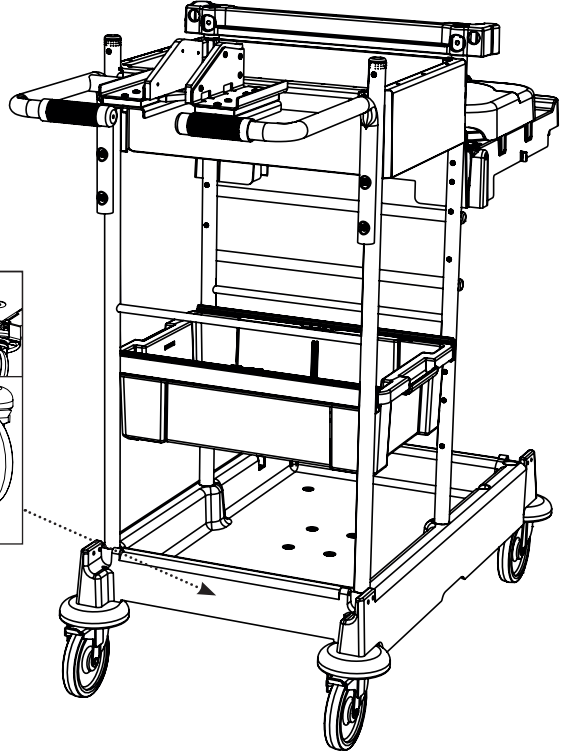
X2

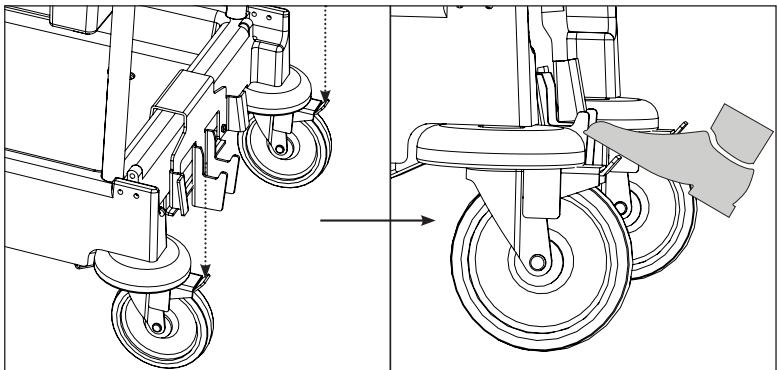
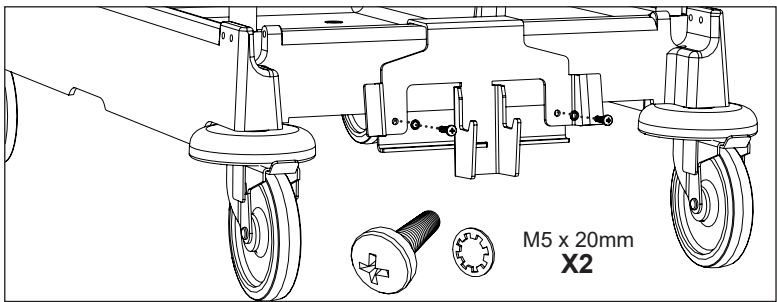
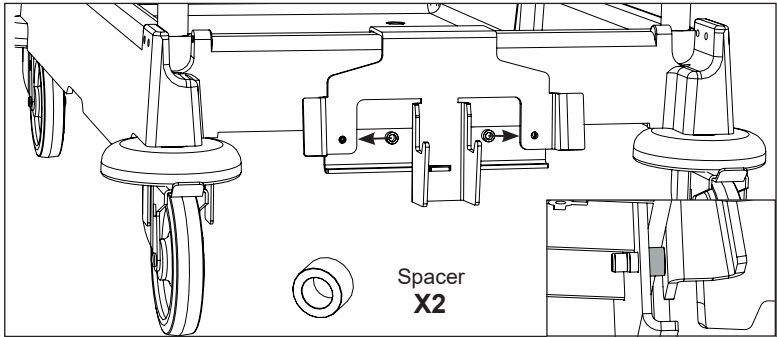
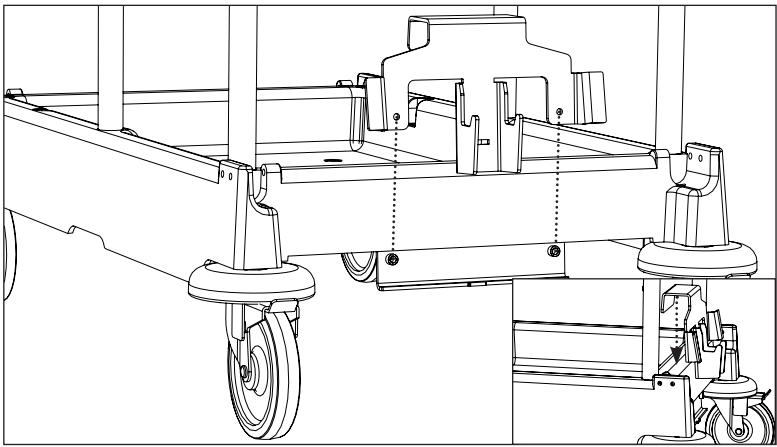


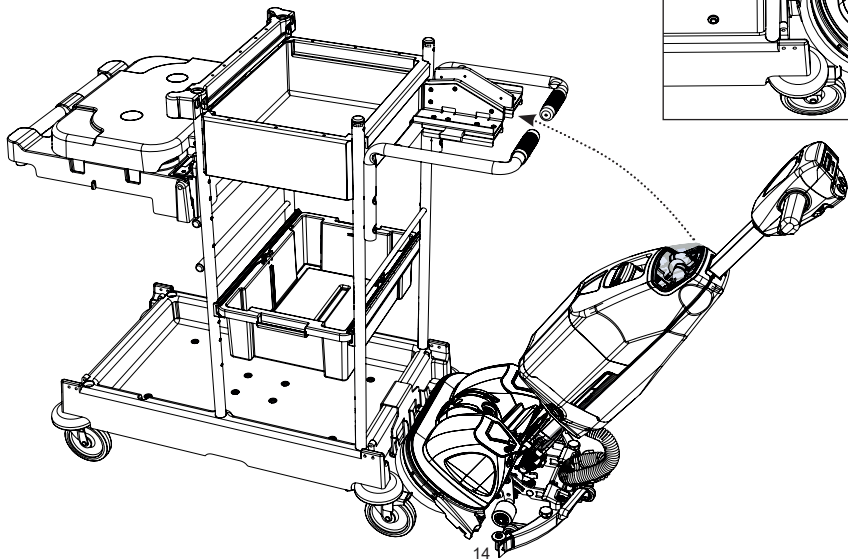
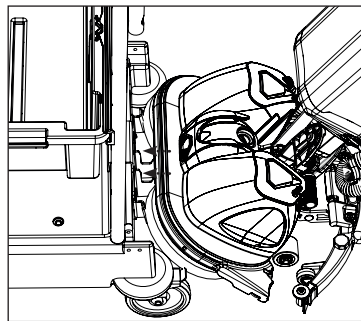
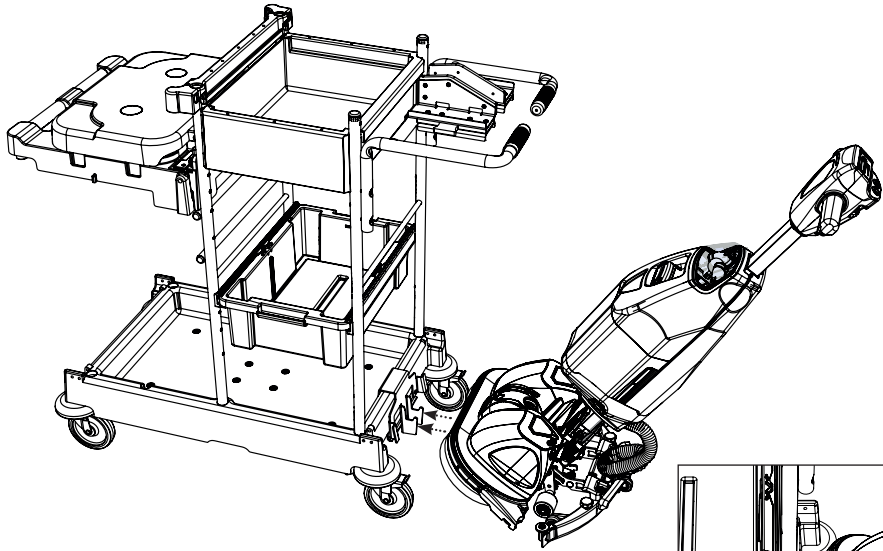
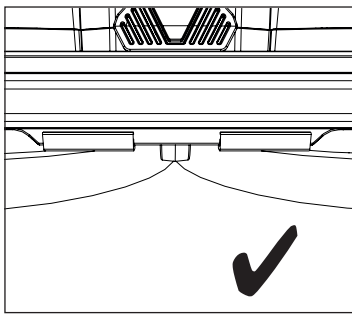
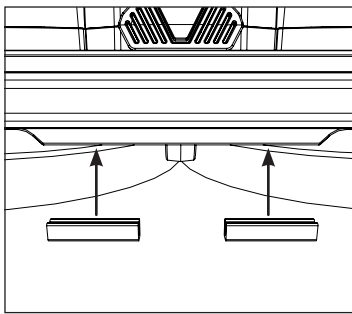
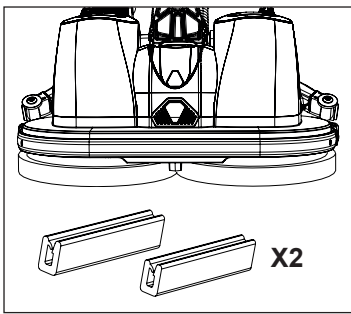
M5 x 35mm

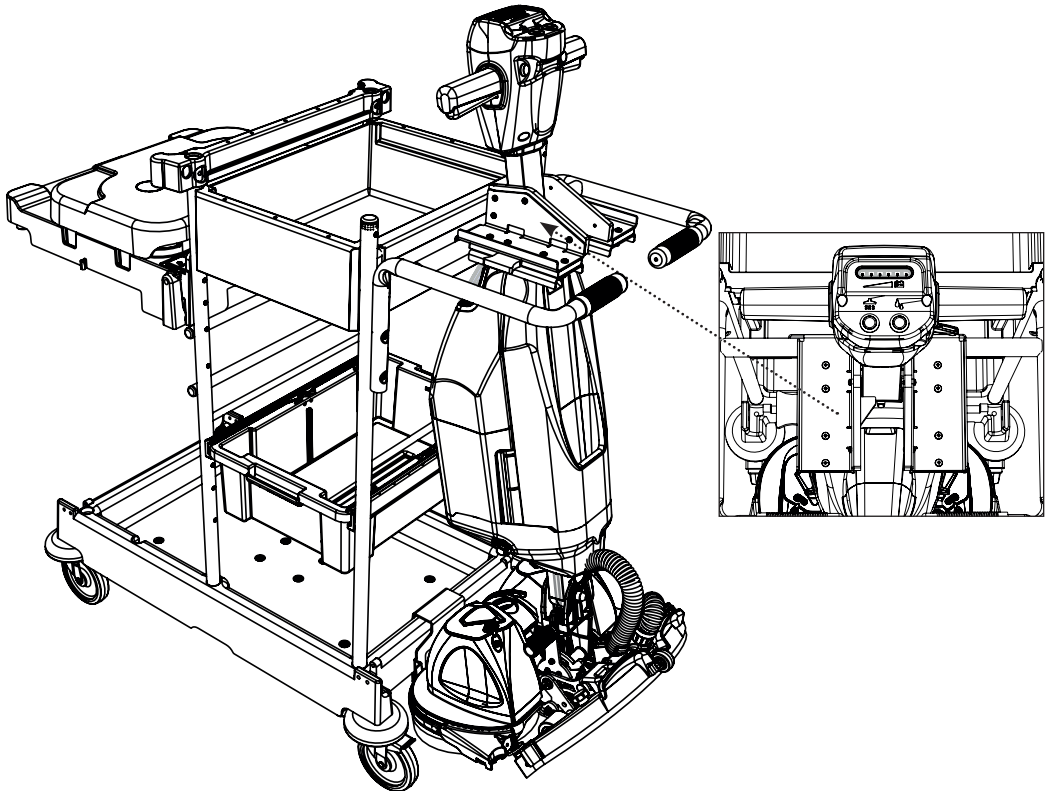
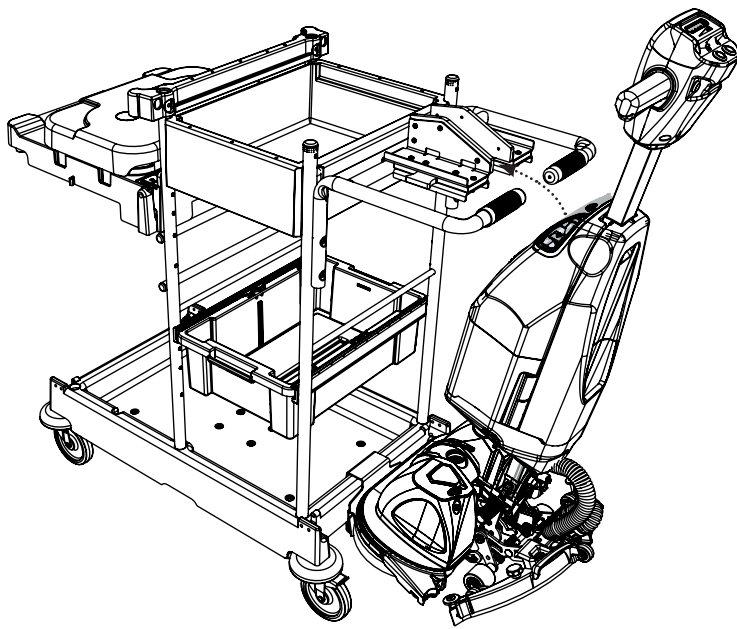


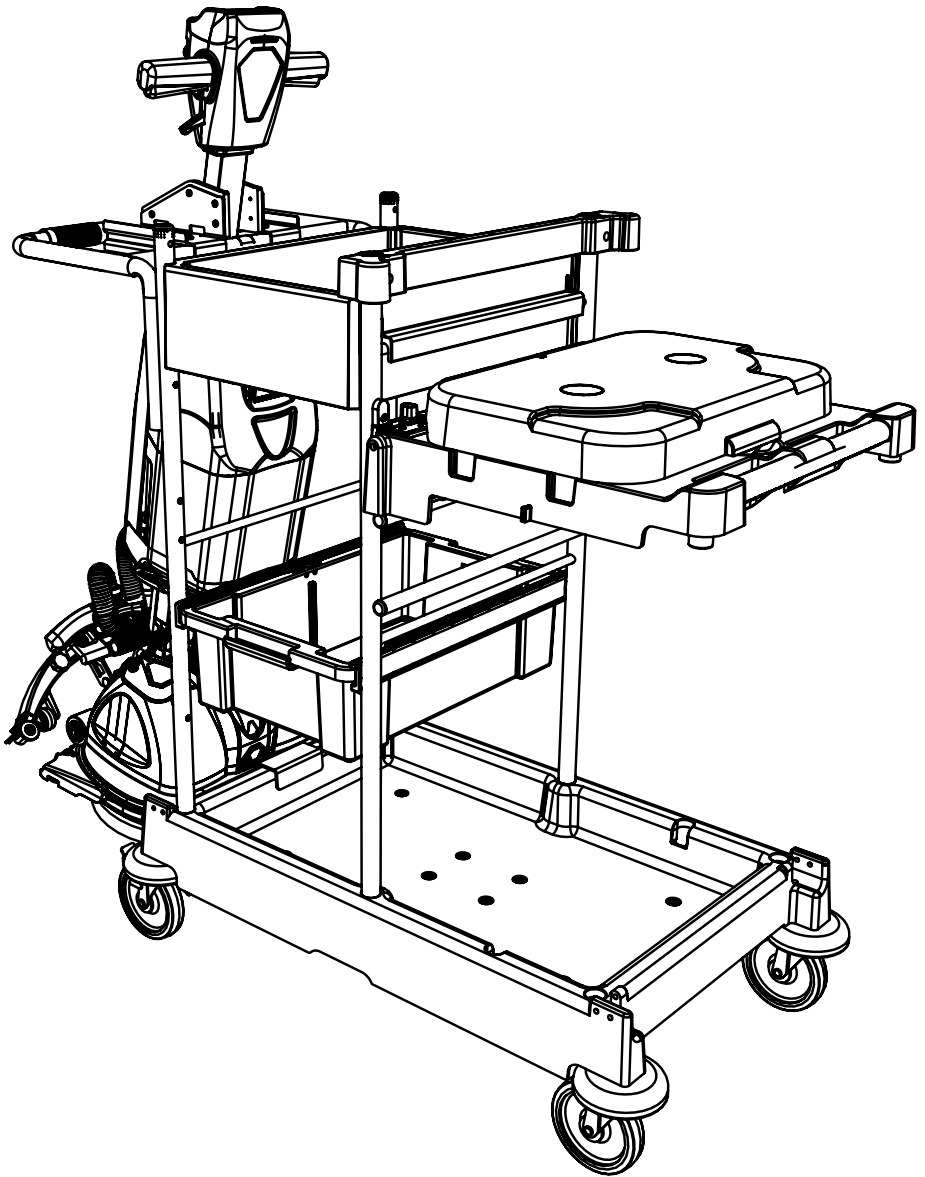
X4











Numatic

numatic.com